

TECHNICAL MANUAL

**OPERATOR, ORGANIZATIONAL,
DIRECT SUPPORT, AND GENERAL
SUPPORT MAINTENANCE MANUAL
(INCLUDING REPAIR PARTS)**

FOR

**8640B SIGNAL GENERATOR
(INCLUDING OPTION 001)**

(PATRIOT AIR DEFENSE GUIDED MISSILE SYSTEM)

**HEADQUARTERS, DEPARTMENT OF THE ARMY
SEPTEMBER 1986**

WARNING

DANGEROUS VOLTAGE

is used to operate this equipment

DEATH ON CONTACT

may result if safety precautions are not observed.

Never work on electronic equipment unless there is someone nearby who is familiar with the operation and hazards of the equipment and is able to give first aid. When the technician is aided by operators, he must warn them about dangerous areas.

When possible, shut off power to equipment before beginning work on equipment. Ground every capacitor likely to hold a dangerous potential. When working inside equipment, after the power has been turned off, always ground every part before touching it.

Be careful not to contact high-voltage connections when installing or operating this equipment.

When possible, keep one hand away from equipment to reduce the hazard of current flowing through the vital organs of the body.

Read FM 21-11, First Aid for Soldiers, and learn how to administer artificial respiration.

WARNING

Do not be misled by the term "low voltage." Under adverse conditions, potentials as low as 50 volts may cause death.

a/(b blank)

This material is reproduced through the courtesy of Hewlett-Packard Company. Distribution is limited to use with the PATRIOT missile system.

TECHNICAL MANUAL)
)
No. 9-1430-601-14-7&P)

HEADQUARTERS
DEPARTMENT OF THE ARMY
Washington, D.C., 10 September 1986

Operator, Organizational, and DS/GS Maintenance Manual

(INCLUDING REPAIR PARTS)

FOR

8640B SIGNAL GENERATOR
(Including Option 001)

(PATRIOT AIR DEFENSE GUIDED MISSILE SYSTEM)

This manual applies directly to instruments with serial numbers prefixed 1324A.

With changes described in Section VII, this manual also applies to instruments with serial numbers prefixed 1229A, 1244A, 1245A, 1246A, 1249A, 1251A, 1303A, 1310A, 1313A, 1316A, 1322A, 1323A, 1327A, 1332A, 1333A, 1339A, 1342A, 1345A, 1350A, 1401A, 1404A, 1404A, 1405A, 1406A, 1416A, 1419A, 1423A, 1429A, 1431A, 1435A, 1438A, 1440A, 1442A, 1501A, 1506A, 1513A, 1515A, 1519A, 1520A, 1524A, 1526A, 1530A, 1532A, 1534A, 1535A, 1538A, 1542A, 1543A, 1544A, 1545A, and 1552A.

For additional important information about serial numbers see INSTRUMENTS COVERED BY MANUAL in Section I.

REPORTING ERRORS AND RECOMMENDING IMPROVEMENTS

You can help improve this manual. If you find any mistakes, or if you find a way to improve the procedures, please let us know. Mail your letter, DA Form 2028 (Recommended Changes to Publications and Blank Forms), or DA Form 2028-2 direct to: Commander, U.S. Army Missile Command, ATTN: AMSMILC-ME-PM, Redstone Arsenal, Alabama 35898-5238. A reply will be furnished to you.

CONTENTS

<u>Section</u>		<u>Page</u>
Section 0	General	
0-1	Maintenance Forms and Records	0-1
0-2	Reporting Equipment Improvement Recommendations (EIR)	0-1
0-3	Administrative Storage	0-1
0-4	Destruction of Army Material to Prevent Enemy Use	0-1
Section I	General Information	
1-1	Introduction	1-1
1-7	Instrument Covered by Manual	1-1
1-12	General Description	1-2
1-17	Performance Characteristics	1-2
1-18	Spectral Purity	1-2
1-24	Frequency Counter	1-3
1-29	Phase-Lock Mode	1-3
1-35	Amplitude Modulation	1-4
1-38	Pulse Modulation	1-4
1-41	Frequency Modulation	1-4
1-44	Standard and Optional Audio Oscillators	1-5
1-47	Multi-function Meter and Annunciators	1-5
1-53	Output Level	1-5
1-57	Options	1-6
1-62	Accessories Supplied	1-6
1-65	Equipment Available	1-6
1-72	Warranty	1-7
1-74	Test Equipment Required	1-7
Section II	Installation	
2-1	Introduction	2-1
2-3	Initial Inspection	2-1
2-5	Preparation for Use	2-1
2-6	Power Requirements	2-1
2-8	Line Voltage Selection	2-2
2-11	Power Cable	2-2
2-13	Mating Connectors	2-3
2-15	Operating Environment	2-3
2-18	Bench Operation	2-3
2-20	Rack Mounting	2-3
2-22	Storage and Shipment	2-3

CONTENTS (Continued)

<u>Section</u>		<u>Page</u>
2-23	Environment	2-3
2-25	Packaging	2-3
Section III Operation		
3-1	Introduction	3-1
3-3	Panel Features.....	3-1
3-5	Operator's Checks.....	3-1
3-7	Operating Instructions	3-1
3-9	Operator's Maintenance	3-1
Section IV Performance Tests		
4-1	Introduction	4-1
4-3	Equipment Required.....	4-1
4-5	Test Record	4-1
4-7	Test Procedures.....	4-1
4-11	Frequency Range Test.....	4-2
4-12	Frequency Accuracy and Fine Tune Test	4-3
4-13	Frequency Stability vs Time and Restabilization Time Test	4-5
4-14	Frequency Stability vs Temperature Test	4-7
4-15	Frequency Stability vs Line Voltage Test	4-8
4-16	Frequency Stability vs Load, Level, and Mode Test	4-9
4-17	Harmonics Test.....	4-11
4-18	Sub-Harmonics and Non-Harmonic Spurious Test	4-13
4-19	Single Sideband Phase Noise Test	4-15
4-20	Single Sideband Broadband Noise Floor Test	4-17
4-21	Residual AM Test.....	4-20
4-22	Residual FM Test.....	4-21
4-23	Output Level Accuracy Test (Abbreviated)	4-24
4-24	Output Level Flatness Test	4-29
4-25	Output Level Flatness Test	4-36
4-26	Output Impedance Test (In Band)	4-37
4-27	Output Impedance Test (Out of Band)	4-39
4-28	Auxiliary Output Test.....	4-41
4-29	Output Leakage Test.....	4-42
4-30	Internal Modulation Oscillator Test	4-44
4-31	Internal Modulation Oscillator Distortion Test (Option 001)	4-45
4-32	AM 3 dB Bandwidth Test.....	4-47

CONTENTS (Continued)

<u>Section</u>		<u>Page</u>
4-33	AM Distortion Test	4-49
4-34	AM Sensitivity and Accuracy Test.	4-50
4-35	Peak Incidental Phase Modulation Test	4-54
4-36	Pulse Modulation Test	4-56
4-37	Pulse On/Off Ratio Test	4-60
4-38	FM 3 dB Bandwidth Test	4-61
4-39	FM Distortion Test	4-62
4-40	FM Sensitivity and Accuracy Test	4-64
4-41	Incidental AM Test	4-68
4-42	Counter External Sensitivity Test	4-70
4-43	Internal Reference Accuracy Test	4-71
4-44	Internal Reference Drift Rate (Stability) Test	4-72
4-45	Phase Lock Restabilization Time Test	4-75
Section V	Adjustments	
5-1	Introduction	5-1
5-3	Safety Considerations	5-1
5-9	Test Equipment Required	5-1
5-11	Pozidriv Screwdrivers	5-1
5-13	Blade Tuning Tools	5-1
5-15	Service Aids	5-1
5-19	Factory Selected Components	5-2
5-22	Post-Repair Test and Adjustments	5-3
5-25	Power Supply Adjustments	5-8
5-26	Fixed-Frequency Modulation Oscillator Adjustment	5-8
5-27	Variable-Frequency Modulation Oscillator Adjustment (Option 001)	5-9
5-28	Meter Adjustments	5-12
5-29	RF Detector Offset Adjustment	5-12
5-30	Output Level Knob Adjustment	5-13
5-31	Output Level Vernier and Meter Adjustment	5-14
5-32	AM Sensitivity Adjustment	5-17
5-33	Peak Deviation and Range Switch Adjustment	5-19
5-34	Range Switch Adjustment	5-20
5-35	VT Pot (A3R1) Adjustment	5-21
5-36	VT Voltage Adjustment	5-22
5-37	RF Filter Adjustment	5-23
5-38	Preliminary FM Adjustments	5-27
5-39	FM Linearity Adjustment	5-29

CONTENTS (Continued)

<u>Section</u>		<u>Page</u>
5-40	FM Sensitivity Adjustment	5-32
5-41	Internal Reference Frequency Adjustment.....	5-34
5-42	RF Oscillator End Stop Adjustment	5-36
5-43	RF Oscillator Output Power Adjustment	5-38
5-44	FM Linearity Adjustment (Alternate)	5-40
Section VI	Replaceable Parts	
6-1	Introduction	6-1
6-3	Exchange Assemblies	6-1
6-5	Abbreviations	6-1
6-7	Replaceable Parts List.....	6-1
6-11	Ordering Information	6-1
6-14	Spare Parts Kit.....	6-1
6-16	Illustrated Parts Breakdowns	6-2
Section VII	Manual Changes	
7-1	Introduction	7-1
7-3	Manual Changes	7-1
7-6	Manual Change Instructions	7-4
7-7	Instrument Improvement Modifications	7-78
7-9	Improved FM Metering Accuracy (Serial Prefix 1229A)	7-78
7-11	Elimination of Frequency Shift in Expand X100 Mode (Serial Prefix 1229A)	7-78
7-14	A8A2 Counter/Lock Board Assembly Improvements (Serial Prefix 1229A)	7-78
7-16	Improved Audio Output Level Accuracy (Serial Prefix 1229A)	7-80
7-18	A26A1 Power Amplifier and AGC Detector Assembly Improvement (Serial Prefix 1229A).....	7-80
7-20	Reduction of RFI Leakage from Front Panel (Serial Prefix 1244A and Below)	7-80
7-23	A26A4 AGC Amplifier Assembly Improvement (Serial Prefix 1245A and Below)	7-81
7-26	Reduction of RFI Leakage from RF Oscillator (Serial Prefix 1246A and Below)	7-81
7-28	Replacement A7 FM Shaping Assembly (Serial Prefix 1246A and Below)	7-81
7-31	Replacement A9 Peak Deviation and Range Switch Assembly (Serial Prefix 1246A and Below)	7-81

CONTENTS (Continued)

<u>Section</u>		<u>Page</u>
7-34	A10A1 RF Filter Assembly Switch Improvement (Serial Prefix 1246A and Below)	7-83
7-36	A8A1 RF Scaler Assembly Improvement (Serial Prefix 1249A)	7-83
7-38	A5 FM Amplifier Assembly Improvement (Serial Prefix 1251A and Below)	7-83
7-40	A8A2 Counter/Lock Board Assembly Improvement (Serial Prefix 1251A and Below)	7-83
7-42	Front Panel Meter M1 Replacement (Serial Prefix 1251A and Below)	7-83
7-44	A26 AM/AGC and RF Amplifier Assembly Improvement	7-84
7-46	A26A4 AGC Amplifier Assembly Improvement (Serial Prefix 1310A and Below)	7-84
7-48	A10A2 RF Divider Assembly Improvement (Serial Prefix 1313A and Below)	7-85
7-50	Power Supply Improvement (Serial Prefix 1313A and Below)	7-86
7-52	A10A2 RF Divider Assembly Improvement (Serial Numbers 1316A00464 and Below)	7-86
7-54	Improved Audio Output Level Flatness (Serial Prefixes 1244A through 1316A)	7-86
7-56	A8A4 Counter Display Assembly Improvement (Serial Prefixes 1323A and Below)	7-86
7-58	Improved FM Bandwidth on 5kHz Deviation Range (Serial Number Prefixes 1323A and 1327A.....)	7-86
7-60	Improved Noise Performance (Serial Prefixes 1327A and Below)	7-86
7-62	A10A2 RF Divider Assembly Improvement (Serial Number Prefixes 1333A and Below)	7-86
7-64	A18, A20, and A22 Power Supply Regulator Improvements (Serial Number Prefixes 133A and Below).	7-87
7-66	Time Base Vernier and Pot Replacement (Serial Prefix 1333A and Below)	7-87
7-70	All Variable Frequency Modulation Oscillator Improvements (Serial Number Prefixes 1339A and Below)	7-87
7-73	A12 Rectifier Assembly Input Crowbar Failures (Serial Number Prefixes 1330A and Below)	7-87
7-75	Reliability Improvements in AM and Pulse Circuits (Serial Number Prefixes 1345A and Below)	7-88

CONTENTS (Continued)

<u>Section</u>		<u>Page</u>
7-78	All Variable Frequency Modulation Oscillator (Option 001) Improvement (Serial Number Prefixes 1350A and Below)	7-88
7-81	Improvement in Lock Acquisition Capability (Serial Number Prefixes 1350A and Below)	7-88
7-83	+44.6V Regulator Improvement (Serial Number Prefixes 1405A and Below)	7-88
7-85	Line Switch Modification (Serial Number Prefixes 1406A and Below)	7-88
7-88	Reduction in Popcorn Noise on Power Supplies (Serial Number Prefixes 1406A and Below)	7-89
7-90	Recommended Fuse Replacement for 110/240V Operation (Serial Number Prefixes 1423A and Below)	7-89
7-93	"REDUCE PEAK POWER" Lamp Drive Modification (Serial Number Prefix 1526A and Below).....	7-89
 Section VII Service		
8-1	Introduction	8-1
8-5	Principles of Operation	8-1
8-8	Troubleshooting	8-1
8-12	Recommended Test Equipment	8-1
8-14	Service Aids	8-1
8-23	Repair	8-3
8-24	Factory Selected Components	8-3
8-26	Etched Circuits	8-3
8-28	Etched Conductor Repair	8-3
8-30	Component Replacement	8-3
8-37	Illustrated Parts Breakdowns	8-5
8-39	Basic Circuit Theory	8-5
8-40	Binary Circuits and Symbols	8-5
8-52	Binary Registers	8-8
8-53	Binary Latch	8-8
8-57	Binary Shift Register	8-8
8-61	Decade Counters and Symbols	8-9
8-69	Linear Integrated Circuits	8-11

TABLES

<u>Table</u>		<u>Page</u>
1-1	Specifications	1-8
1-2	Recommended Test Equipment	1-13
1-3	Recommended Test Accessories	1-20
4-1	Performance Test Record	4-77
4-2	Recommended Test Abridgements	4-85
5-1	Factory Selected Components	5-2
5-2	Post-Repair Test and Adjustments	5-4
5-3	RF Filter Check	5-26
6-1	Part Numbers for Exchange Assemblies	6-2
6-2	Reference Designations and Abbreviations	6-3
6-3	Replaceable Parts	6-5
6-4	Code List of Manufacturers	6-42
7-1	Manual Changes by Serial Number	7-1
7-2	Summary of Changes by Component	7-2
8-1	Etched Circuit Soldering Equipment	8-4
8-2	Logic Levels	8-6
8-3	Assembly Information Index	8-14
8-4	Schematic Diagram Notes	8-15
8-5	Meter Drive Amplifier Data	8-52
8-6	Total Count of Time Base Reference Counters U13, U14, and U15	8-56
8-7	Count Modes of Counters A8A3U13 and U14	8-56
8-8	Count Modes of Counter A8A3U15	8-56
8-9	Data Inputs of Decimal Point Shift Register	8-56

ILLUSTRATIONS

<u>Figure</u>		<u>Page</u>
1-1	HP Model 8640B Signal Generator (Option 001) and Accessories Supplied	1-0
1-2	Measured Single Sideband Noise vs Offset from Carrier	1-2
1-3	Specified Signal-to-Phase Noise Ratio	1-3
1-4	AM Distortion vs AM Rate	1-4
1-5	Pulsed RF	1-4
1-6	FM Distortion vs FM Rate	1-5
1-7	520 MHz Notch Filter	1-21
1-8	FM Linearity Circuit	1-22
2-1	Line Selector	2-1
2-2	Power Cables Available	2-2
2-3	Preparation for Rack Mounting	2-4

ILLUSTRATIONS (Continued)

<u>Figure</u>		<u>Page</u>
3-1	Lamp Replacement	3-1
3-2	Front Panel Controls, Indicators, and Connectors	3-2
3-3	Rear Panel Controls, and Connectors	3-6
3-4	Operator's Checks	3-7
3-5	Setting the Frequency and Amplitude Controls	3-12
3-6	Setting the Modulation Controls	3-15
4-1	Frequency Stability vs Time and Restabilization Time Test Setup.....	4-5
4-2	Frequency Stability vs Temperature Test Setup	4-7
4-3	Frequency Stability vs Line Voltage Test Setup	4-8
4-4	Frequency Stability vs Load, Level, and Mode Test Setup.....	4-10
4-5	Sub-flarmonics and Non-Harmonic Spurious Test Setup	4-14
4-6	Single Sideband Phase Noise Test Setup	4-15
4-7	Single Sideband Broadband Noise Floor Test Setup	4-18
4-8	Residual AM Test Setup	4-20
4-10	Output Level Accuracy Test Setup (Abbreviated)	4-25
4-11	Output Level Accuracy Test Setup (Complete)	4-31
4-12	Output Level Flatness Test Setup	4-36
4-13	Output Impedance Test Setup (In Band)	4-38
4-14	Output Impedance Test Setup (Out of Band)	4-40
4-15	Output Leakage Test Setup	4-42
4-16	Internal Modulation Oscillator Test Setup	4-44
4-17	Internal Modulation Oscillator Distortion Test Setup.	4-46
4-18	AM 3 dB Bandwidth Test Setup	4-47
4-19	AM Distortion Test Setup	4-49
4-20	AM Sensitivity and Accuracy Test Setup	4-51
4-21	Peak Incidental Phase Modulation Test Setup	4-54
4-22	Pulse Modulation Test Setup	4-57
4-23	Pulse Measurements	4-58
4-24	FM 3 dB Bandwidth Test Setup	4-61
4-25	FM Distortion Test Setup	4-63
4-26	FM Sensitivity and Accuracy Test Setup	4-65
4-27	Incidental AM Test Setup	4-68
4-28	Counter External Sensitivity Test Setup	4-70
4-29	Internal Reference Accuracy Test Setup	4-71
4-30	Internal Reference Drift Rate (Stability) Test Setup	4-73
5-1	Output Level Vernier and Meter Adjustment Test Setup	5-15
5-2	AM Sensitivity Adjustment Test Setup	5-17
5-3	VT Pot Adjustment	5-21
5-4	Filter Terminology	5-23
5-5	RF Filter Adjustment Test Setup	5-24

ILLUSTRATIONS (Continued)

<u>Figure</u>		<u>Page</u>
5-6	256-512 MHz High Band Capacitor Adjustment Orientation.....	5-27
5-7	DM Linearity Adjustment Test Setup	5-30
5-8	FM Linearity Display	5-32
5-9	FM Sensitivity Adjustment Test Setup	5-33
5-10	Internal Reference Frequency Adjustment Test Setup.....	5-35
5-11	Location of RF Oscillator Stop Adjustments Shown in Maximum ccw Position. Top View with Instrument Upside Down	5-37
5-12	RF Oscillator Output Power Adjustment Test Setup	5-38
5-13	FM Linearity Adjustment (Alternate) Test Setup	5-40
6-1	Cabinet Parts	6-40
6-2	Type N Connector	6-41
7-1	A8A2 Counter/Lock Board Assembly Backdating (Change B).....	7-12
7-2	A3A4 Connector Board Assembly Backdating (Change C)	7-13
7-3	A26A1 Power Amplifier and AGC Detector Assembly Backdating (Change D)	7-14
7-4	A26A2U1 Backdating (Change E)	7-17
7-5	A8A1 RF Scaler Assembly Backdating (Change E)	7-18
7-6	A12 Rectifier Assembly Backdating (Change F)	7-19
7-7	A8A1 Scaler Assembly Backdating (Change J)	7-22
7-8	A8A4 Counter Display Assembly Modification	7-79
7-9	A7 FM Shaping Assembly Modification	7-82
7-10	A9 Peak Deviation and Range Switch Modification	7-23
7-11	A10A2 RF Divider Assembly Modification	7-26
8-1	Signal Generator with Circuit Boards on Extenders	8-2
8-2	Examples of Diode and Transistor Marking Methods	8-4
8-3	Binary Symbols	8-6
8-4	Triggered Flip-Flop.....	8-7
8-5	D Flip-Flop	8-7
8-6	Schmitt Trigger	8-7
8-7	J/K Flip-Flop.....	8-8
8-8	Multiple Input J/K Flip-Flop	8-8
8-9	Binary Latch	8-9
8-10	Binary Shift Register	8-9
8-11	Basic Decade Counter (Scaler)	8-9
8-12	Programmable Counter	8-10
8-13	Programmable Up/Down Counter	8-12
8-14	Operational Amplifier	8-13
8-15	Comparator	8-14
8-16	Overall Block Diagram	8-19

ILLUSTRATIONS (Continued)

<u>Figure</u>		<u>Page</u>
8-17	FM Circuits and RF Oscillator Block Diagram	8-21
8-18	AM/AGC Circuits and Output Amplifier Block Diagram	8-23
8-19	Counter/Lock Circuits Block Diagram	8-25
8-20	P/O A3A4 Connector Board Assembly Component Location.....	8-27
8-21	RF Oscillator Simplified Diagram	8-27
8-22	P/O A3A4 Connector Board Assembly Component Locations.....	8-28
8-23	P/O A9 Peak Deviation and Range Switch Assembly Component Locations	8-28
8-24	A5 FM Amplifier Assembly Component Locations	8-29
8-25	FM Amplifiers Schematic Diagram	8-29
8-26	P/O A7 FM Shaping Assembly Component Locations	8-31
8-27	FM Shaping Circuits and Phase Lock Loop Filter Schematic Diagram	8-31
8-28	P/O A6 Annunciator Assembly Component Locations	8-32
8-29	P/O A9 Peak Deviation and Range Switch Assembly Component Locations	8-32
8-30	P/O A7 FM Shaping Assembly Component Locations	8-33
8-31	Over-Deviation Detector and Meter Control Circuits Schematic Diagram	8-33
8-32	All Fixed-Frequency Modulation Oscillator Assembly Component Locations	8-35
8-33	Fixed-Frequency Modulation Oscillator Schematic Diagram	8-35
8-34	All Variable-Frequency Modulation Oscillator Assembly (Option 001) Component Locations	8-37
8-35	Variable-Frequency Modulation Oscillator (Option 001) Schematic Diagram	8-37
8-36	A10A1 RF Filter Assembly Component Locations	8-38
8-37	RF Filters Schematic Diagram	8-39
8-38	A10A2 RF Divider Assembly Component Locations	8-41
8-39	RF Dividers Schematic Diagram	8-41
8-40	A26A3 Modulator Assembly Component Locations	8-43
8-41	A26A4 AGC Amplifier Assembly Component Locations	8-43
8-42	AGC Amplifiers and Amplitude Modulator Schematic Diagram	8-43
8-43	A26A1 Power Amplifier and AGC Detector Assembly Component Locations	8-45
8-44	P/O A26A2 AM Offset and Pulse Switching Assembly Component Locations	8-45
8-45	RF Amplifier, Pulse Switching, and Step Attenuator Schematic Diagram	8-45

ILLUSTRATIONS (Continued)

<u>Figure</u>		<u>Page</u>
8-46	P/O A26A2 AM Offset and Pulse Switching Assembly Component Locations	8-47
8-47	AM Preamplifier Schematic Diagram	8-47
8-48	AM Interconnections and RF ON/OFF Switch Schematic Diagram	8-49
8-49	A1A1 RF Vernier Assembly Component Locations	8-51
8-50	RF Vernier Schematic Diagram	8-51
8-51	A2 Meter Switch/Detector Assembly Component Location.....	8-52
8-52	A4 Meter/Annunciator Drive Assembly	8-53
8-53	P/O A6 Annunciator Assembly Component Location	8-53
8-54	Meter Circuits Schematic Diagram	8-53
8-55	A8A1 RF Scaler Assembly Component Locations	8-55
8-56	P/O A8A3 Time Base Assembly Component Locations	8-55
8-57	Counter RF Scaler Schematic Diagram	8-55
8-58	P/O A8A3 Time Base Assembly Component Locations	8-57
8-59	Counter Time Base Schematic Diagram	8-57
8-60	A8A4 Counter Display Assembly Component Locations (P/O A8)	8-59
8-61	P/O A8A2 Counter/Lock Board Assembly Component Locations.	8-59
8-62	Up/Down Counter and Display Schematic Diagram	8-59
8-63	P/O A8A2 Counter/Lock Board Assembly Component Locations.	8-61
8-64	Counter Phase Lock Circuits Schematic Diagram	8-61
8-65	Current Foldback.....	8-62
8-66	A12 Rectifier Assembly Component Locations	8-62
8-67	A20 +5.2V and +44.6V Regulator Assembly Component Locations	8-63
8-68	A22 +20V and -20V Regulator Assembly Component Locations.	8-63
8-69	Power Supply Circuits Schematic Diagram	8-63
8-70	A18 -5.2V Regulator and Fan Driver Assembly Component Locations	8-65
8-71	A18 -5.2V Regulator and Fan Circuits Schematic Diagram	8-65
8-72	A17 Power Supply Mother Board Assembly Component Locations.....	8-67
8-73	Power Supply Mother Board Schematic Diagram	8-67
8-74	A13 Modulation/Metering Mother Board Assembly Component Locations	8-68

ILLUSTRATIONS (Continued)

<u>Figure</u>		<u>Page</u>
8-75	Modulation/Metering Mother Board Schematic Diagram	8-69
8-76	A1 Output Level Assembly Illustrated Parts Breakdown.....	8-71
8-77	A8 Counter/Lock Assembly Illustrated Parts Breakdown.....	8-73
8-78	A9 Peak Deviation and Range Switch Assembly Illustrated Parts Breakdown	8-75
8-79	A11 Variable-Frequency Modulation Oscillator (Option 991) Illustrated Parts Breakdown	8-75
8-80	A10 Divider/Filter Assembly Illustrated Parts Breakdown	8-77
8-81	A26 AM/AGC and RF Amplifier Illustrated Parts Breakdown	8-79
8-82	Top Internal Views (Option 001 shown)	8-81
8-83	Rear Panel View	8-83
8-84	Bottom Internal Views (Option 001 shown)	8-83

SERVICE SHEETS

<u>Number</u>		<u>Page</u>
1	Overall Block Diagram	8-18
2	FM Circuits and RF Oscillator Troubleshooting	8-20
3	AM/AGC Circuits and Output Amplifier Troubleshooting.....	8-22
4	Counter/Lock Circuits Troubleshooting	8-24
5	RF Oscillator (A3)	8-26
6	FM Amplifiers (A3, A5, A9, A13)	8-28
7	FM Shaping Circuits and Phase Lock Loop Filter (A7, A9)	8-30
8	Over-Deviation Detector and Meter Control Circuits (A6, A7, A9).....	8-32
9	Fixed-Frequency Modulation Oscillator (All, A13)	8-34
9A	Variable-Frequency Modulation Oscillator for Option 001 (A11, A13)	8-36
10	RF Filters (A10A1)	8-38
11	RF Dividers (A10A2)	8-40
12	AGC Amplifiers and Amplitude Modulator (A26A3, A26A4)	8-42
13	RF Amplifier, Pulse Switching, and Step Attenuator (A1, A26A1, A26A2)	8-44
14	AM Preamplifier (A13, A26A2)	8-46
15	AM Interconnections and RF ON/OFF Switch (A9, A26)	8-48
16	RF Vernier (A1A1, A26)	8-50

SERVICE SHEETS

<u>Number</u>		<u>Page</u>
17	Meter Circuits (A2, A4, A6)	8-52
18	Counter RF Scaler (A8A1, A8A3)	8-54
19	Counter Time Base (A8A3, A9)	8-56
20	Up/Down Counter and Display (A8A2, A8A4)	8-58
21	Counter Phase Lock Circuits (A8A2)	8-60
22	Power Supply Circuits (A12, A14, A20, A22)	8-62
23	-5.2V Regulator and Fan Circuits (A16, A18)	8-64
24	Power Supply Mother Board (A17)	8-67
25	Modulation/Metering Mother Board (A13)	8-68
A	A1 Assembly Removal and Disassembly	8-70
B	A8 Assembly Removal and Disassembly	8-72
C	A9 and All Assemblies Removal and Disassembly	8-74
D	A10 Assembly Removal and Disassembly	8-76
E	A26 Assembly Removal and Disassembly	8-78
F	General Removal Procedures and Top Internal Views.....	8-80
G	Rear Panel and Bottom Internal Views	8-83

WARNINGS**SAFETY**

To avoid the possibility of injury or death, the following precautions must be followed before the instrument is switched on:

- a. If this instrument is to be energized via an autotransformer for voltage reduction, make sure that the common terminal is connected to the earth grounded pole of the power source.
- b. The power cable plug shall only be inserted into a socket outlet provided with a protective earth contact. The protective action must not be negated by the use of an extension cord without a protective conductor (grounding).
- c. Before switching on the instrument, the protective earth terminal of the instrument must be connected to a protective conductor of the power cord. This is accomplished by ensuring that the instrument's internal earth terminal is correctly connected to the instrument's chassis and that the power cord is wired correctly (see Service Sheet 22).

Whenever it is likely that the protection has been impaired, the instrument must be made inoperative and be secured against any unintended operation.

Any interruption of the protective (grounding) conductor inside or outside the instrument or disconnection of the protective earth terminal is likely to make the instrument dangerous. Intentional interruption is prohibited.

HIGH VOLTAGE

Any adjustment, maintenance, and repair of the opened instrument under voltage should be avoided as much as possible and, if inevitable, should be carried out only by a skilled person who is aware of the hazard involved.

Capacitors inside the instrument may still be charged even if the instrument has been disconnected from its source of supply.

FUSES

Make sure that only fuses with the required rated current and of the specified type (normal blow time delay, etc.) are used for replacement. The use of repaired fuses and the short-circuiting of fuseholders must be avoided.

CAUTIONS**GROUNDING**

Any interruption of the protective (grounding) conductor inside or outside the instrument is likely to cause damage to the instrument. To avoid damage, this instrument and all line powered devices connected to it must be connected to the same earth ground (see Section II).

LINE VOLTAGE

Be sure to select the correct fuse rating for the selected line voltage (see LINE VOLTAGE SELECTION in Section II); fuse ratings are listed on the fuse compartment.

To prevent damage to the instrument, make the line voltage selection before connecting line power. Also ensure that the line power cord is connected to a line power socket that is provided with a protective earth contact.

SAFETY

To avoid the-possibility of damage to test equipment, read completely through each test before starting it. Make any preliminary control settings necessary for correct test equipment operation.

COUNTER INPUT

Do not apply a dc voltage or $>+15$ dBm to COUNTER INPUT.

SEMI-RIGID COAX

While working with and around the semi-rigid coaxial cables in the generator, do not bend the cables more than necessary. Do not torque the RF connectors to more than 5 inch-pounds.

SECTION 0

GENERAL

0-1 MAINTENANCE FORMS AND RECORDS

Department of the Army forms and procedures used for equipment maintenance will be those prescribed by TM 38-750, The Army Maintenance Management System (TAMMS).

0-2 REPORTING EQUIPMENT IMPROVEMENT RECOMMENDATIONS (EIR)

If your PATRIOT system needs improvement, let us know. Send us an EIR. You, the user, are the only one who can tell us what you do not like about your equipment. Let us know why you do not like the design. EIRs will be prepared using SF 368, Quality Deficiency Report (QDR). Mail the QDRs to Commander, U.S. Army Missile Command, ATTN: AMSMI-LC-ME-PMH, Redstone Arsenal, AL 35898-5238. A reply will be furnished to you.

0-3 ADMINISTRATIVE STORAGE

To prepare this unit for placement into and removal from administrative storage, refer to section 3, chapter 4, of AR 750-1, Maintenance Equipment and Supplies. Temporary storage should be accomplished in accordance with TB 750-25-1, section 2, Maintenance of Supplies and Equipment.

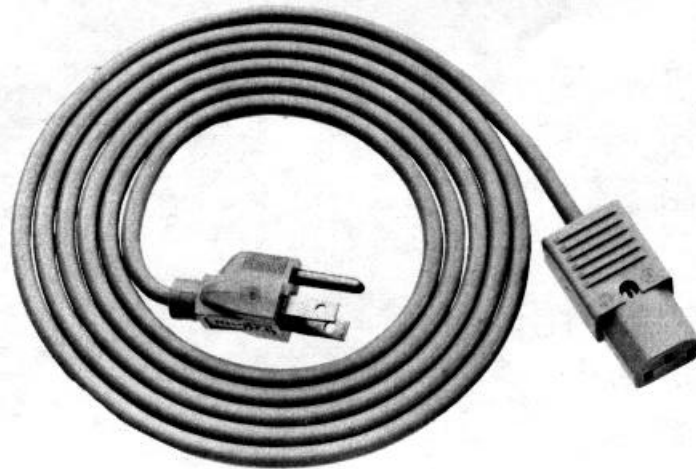
0-4 DESTRUCTION OF ARMY MATERIAL TO PREVENT ENEMY USE

For procedures for destruction of Army material to prevent enemy use, see section XI of TM 9-4935-393-14-1.

0-1/(0-2 blank)



MODEL 8640B



LINE POWER CABLE

Figure 1-1. HP Model 8640B Signal Generator (Option 001) and Accessories Supplied

SECTION I GENERAL INFORMATION

1-1. INTRODUCTION

1-2. This manual contains the operating and service information for the Hewlett-Packard Model 8640B Signal Generator. The Signal Generator (with variable modulation oscillator Option 001) is shown in Figure 1-1 with all of its externally supplied accessories.

1-3. This section of the manual describes the instruments documented by this manual and covers instrument description, options, accessories, specifications and other basic information. The other sections provide the following information:

Section II, Installation: provides information about initial inspection, preparation for use, and storage and shipment.

Section III, Operation: provides information about panel features, and provides operating checks, instructions, and maintenance information.

Section IV, Performance Tests: provides the information required to verify that the instrument is performing as specified in Table 1-1.

Section V, Adjustments: provides the information required to properly adjust and align the instrument.

Section VI, Replaceable Parts: provides ordering information for all replaceable parts and assemblies.

Section VII, Manual Changes: this section provides manual change information necessary to document all prefixes listed on the title page. Also in this section is information covering suggested instrument modifications.

Section VII, Service: provides the information required to repair the instrument.

1-4. Packaged with this manual is an Operating Information Supplement. This is simply a copy of the first three sections of this manual. This supplement should stay with the instrument for use by the operator. Additional copies can be ordered through your nearest

Hewlett-Packard Sales and Service Office; the part number is listed on the title page of this manual and on the rear cover of the supplement.

1-5. Also listed on the title page of this manual is a "Microfiche" part number. This number can be used to order 4 x 6 inch microfilm transparencies of the manual. Each microfiche contains up to 60 photo duplicates of the manual's pages. The microfiche package also includes the latest Manual Changes supplement as well as all pertinent Service Notes.

1-6. Instrument specifications are listed in Table 1-1. These specifications are the performance standards or limits against which the instrument can be tested. Paragraph 1-17 lists some supplemental performance characteristics. Supplemental characteristics are not specifications but are typical characteristics included as additional information for the user.

1-7. INSTRUMENTS COVERED BY MANUAL

1-8. This instrument has a two-part serial number. The first four digits and the letter comprise the serial number prefix. The last five digits form the sequential suffix that is unique to each instrument. The contents of this manual apply directly to instruments having the same serial number prefixes as listed under SERIAL NUMBERS on the title page.

1-9. An instrument manufactured after the printing of this manual may have a serial prefix that is not listed on the title page. This unlisted serial prefix indicates that the instrument is different from those documented in this manual. The manual for this instrument is supplied with a yellow Manual Changes supplement that contains "change information" that documents the differences.

1-10. In addition to change information, the supplement may contain information for correcting errors in the manual. To keep this manual as current and accurate as possible, Hewlett-Packard recommends that you periodically request the latest Manual Changes supplement. The supplement for this manual is keyed to this

Model 8640B

manual's print date and part number, both of which appear on the title page. Complimentary copies of the supplement are available from Hewlett-Packard.

1-11. For information concerning a serial number prefix not listed on the title page or in the Manual Changes supplement, contact your nearest Hewlett Packard office.

1-12. GENERAL DESCRIPTION

1-13. The Model 8640B Signal Generator covers the frequency range 500 kHz to 512 MHz (450 kHz to 550 MHz with band over-range) and can be extended to 1100 MHz with an external doubler. An optional variable audio oscillator is also available to extend the CW output range of the generator down to 20 Hz. This broad coverage, together with calibrated output and modulation, provides for complete RF and IF performance tests on virtually any type of HF, VHF, or UHF receiver.

1-14. This solid state generator has an output level range of +19 to -145 dBm (2 V to 0.013 MV) and is calibrated and metered. The output is leveled to within +0.5 dB across the full frequency range of the instrument.

1-15. The generator also provides AM, FM, and pulse modulation for a wide range of receiver test applications. AM and FM can be performed independently or simultaneously in either the internal or external modes. This modulation is calibrated and metered for direct readout under all operating conditions. External pulse modulation is also available.

1-16. Other significant features are extremely low noise, built-in phase lock and counter, and front panel controls designed for operating convenience and flexibility.

1-17. PERFORMANCE CHARACTERISTICS

1-18. Spectral Purity

1-19. The basic frequency source of the Signal Generator is a mechanically tuned high-Q cavity oscillator that operates over the frequency range 230 550 MHz. This oscillator has an inherent stability of better than 10 ppm/10 min and exceptionally low noise characteristics. The lower 9 frequency ranges are obtained by dividing the basic oscillator frequency and filtering the unwanted harmonics. Using this technique, sub-harmonic and non harmonic-spurious are virtually eliminated. A band over-range of 7% to 10% is also

provided for convenience when operating near the nominal band edges.

1-20. Frequency tuning within the selected band is accomplished with approximately 8 turns of the FREQUENCY TUNE control (see Figure 3-2) for fast selection of the desired output frequency. A mechanical FINE TUNE control has a tuning range of 200 ppm for precision frequency setting.

1-21. Restabilization time is short when tuning the frequency across any one band. The total frequency excursion after any frequency change is typically < 20 ppm and within 15 minutes the output has restabilized to the specified 10 ppm/10 min. When not phase locked, no restabilization time is required when switching frequency bands for a fixed position on the frequency tune control.

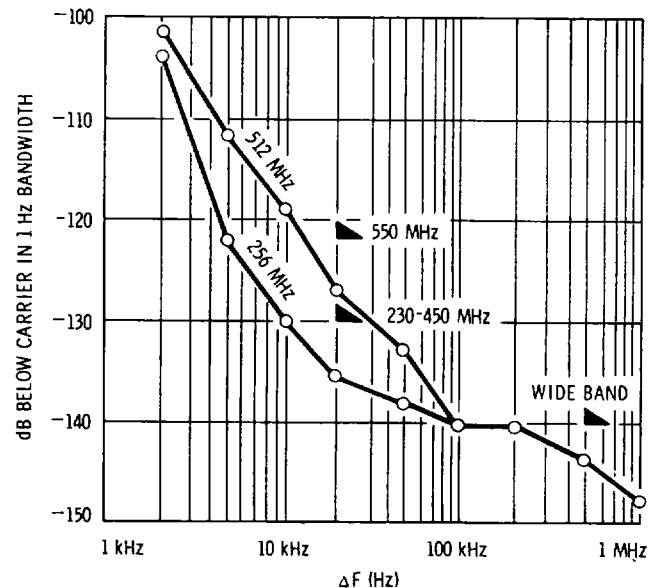


Figure 1-2. Measured Single Sideband Noise vs Offset from Carrier. (Stated in a 1 Hz Bandwidth at 256 and 512 MHz Carrier Frequencies on 256 512 MHz Band.) Markers indicate specified limits.

1-22. Noise performance of the generator is state of the art for a solid state generator. The high-Q cavity oscillator has been optimized with use of a low noise microwave transistor for a spectrally pure output signal. Figure 1-2 shows the typical measured single-sideband noise performance in a

1 Hz bandwidth for various offsets from a (256 and 512 MHz) carrier. The low close-in noise characteristic is ideally suited for the stringent adjacent channel tests that are commonly made on a wide variety of communication receivers.

1-23. Figure 1-3 gives a plot of the guaranteed SSB noise performance for a 20 kHz offset from the carrier for the 256-512 MHz band. From 230 to 450 MHz, noise is >130 dB/Hz below the carrier level and rises to 122 dB/Hz at 550 MHz. This signal-to-noise ratio decreases by approximately 6 dB for each division of the output frequency down to the broadband noise floor of better than 140 dB/Hz. This exceptional noise performance is also preserved during FM* and in the phase lock mode.

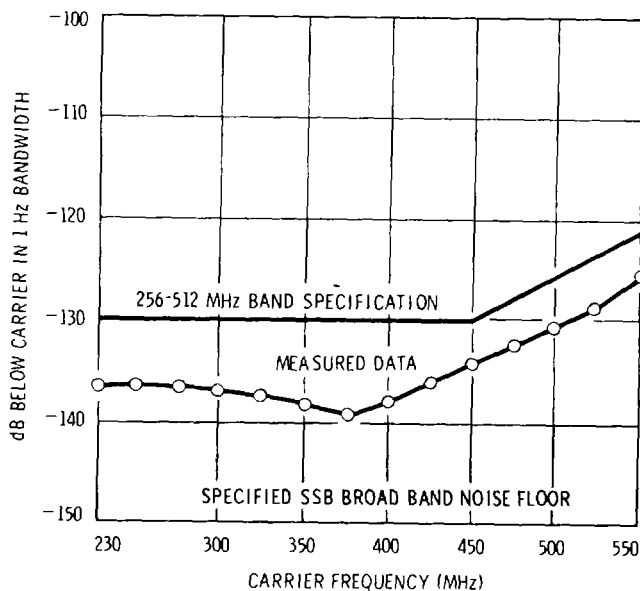


Figure 1-3. Specified Signal-to-Phase Noise Ratio at 20 kHz Offset vs Carrier Frequency (MHz).

(Stated in a 1 Hz Bandwidth.) For lower frequencies phase-noise decreases approximately 6 dB per frequency division down to the broadband noise floor.

1-24. Frequency Counter 1-25. The Signal Generator has a built-in 550 MHz frequency counter and phase lock synchronizer. The 6-digit LED display gives a normal resolution of 10 kHz at 500 MHz and 10 Hz at 500 kHz. The resolution can be increased using the X10 or X100 EXPAND buttons near the display. In the X100

EXPAND mode, the resolution is 100 Hz at 500 MHz and 0.1 Hz at 500 kHz.

1-26. This resolution, combined with the high stability of the generator, provides precision frequency selection and meaningful measurements on high performance receiver systems. When selecting the external doubler band, the counter displays the doubled output frequency directly.

1-27. When using the expand modes, it is possible for significant digits or the decimal point to be shifted off the display. When this occurs, an OVERFLOW light reminds the operator that the display is not showing the complete output frequency.

1-28. The built-in counter can also be used to count external input signals from 1 Hz to 550 MHz and eliminates the need for a separate frequency counter in many measurement systems. Input sensitivity is <100 mV into 502. Using the EXPAND buttons, it is possible to achieve a resolution of 1 Hz in the 0-10 vMHz EXTERNAL count mode or 100 Hz in the 0-550 MHz mode.

1-29. Phase-Lock Mode

1-30. Also included in the Signal Generator is a built-in phase lock synchronizer that locks the RF output frequency to the crystal time base used in the counter. In this locked mode, output stability is better than 5×10^{-8} /h and the spectral purity and FM capability (down to 50 Hz rates) of the unlocked mode are preserved. For higher stability, it is possible to lock to an externally applied 5 MHz standard. Two Model 8640B's can also be locked together for various two-tone measurements.

1-31. Phase locking the generator is simple just push the front panel LOCK button. The generator is then locked to the frequency shown on the LED display. If lock is broken (for example by tuning to a new output frequency or during warmup), there is an immediate indication: the LED display flashes. The generator can be relocked by releasing the LOCK button and then relocking:

1-32. Lock can be achieved in the normal mode of the counter or in the X10 EXPAND mode if the OVERFLOW light is not on. It is not possible to lock in the X100 EXPAND mode or when counting external inputs. Maximum resolution in the locked mode is 1 kHz at 500 MHz, increasing to 1 Hz at 500 kHz.

1-33. If an output frequency between adjacent counter indications is required, a TIME BASE VERNIER is provided with a range of +20 ppm. This fine tunes the internal crystal time base and sets the output frequency between adjacent counts (i.e., the digits to the right of the display). This gives continuous coverage of all output frequencies even in the phase lock mode. An UNCAL light near the vernier will indicate when this mode has been selected since the counter display is incorrect.

1-34. When phase locked, FM capability is preserved down to modulation rates of <50 Hz. The narrow bandwidth of the phase lock loop (<5 Hz) allows FM up to 250 kHz rates and assures no degradation in noise from the unlocked mode. The generator's residual FM is not changed by phase lock.

1-35. Amplitude Modulation 1-36. AM is variable from 0 to 100% with the bandwidth, accuracy, and low incidental FM required for the most stringent AM applications. The front panel meter gives a direct readout of AM% in either the internal or external mode and autoranges the 0 -100% scale at 0 30% for improved settability at low modulation depth.

1-37. AM up to bandwidths of 60 kHz is possible depending on carrier frequency and modulation depths. Distortion is specified at 400 Hz and 1000 Hz to be <1% up to 50% AM, <3% to 90% AM. Figure 1-4 shows measured AM distortion characteristics for other modulation frequencies.

Note that for 0- 50% AM, distortion is <1% to approximately 50 kHz for an output frequency of 200 MHz.

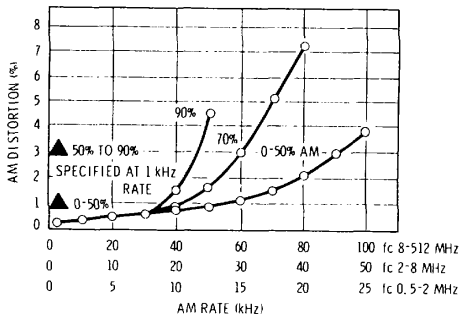


Figure 1-4. AM distortion us AM rate measured at 200 MHz and +13 dBm, but applies to all bands. (Supplemental information only.)

1-38. Pulse Modulation

1-39. Also included on the AM function switch is a position for external PULSE modulation. In this mode, pulse inputs with repetition rates to 500 kHz and widths down to 2 us can be applied to modulate the RF carrier. Rise and fall times vary with output frequency down to < 1 us from 8 to 512 MHz.

1-40. Pulse inputs turn the RF on. Hence with no pulse input the RF will read approximately zero on the built-in level meter. For pulse inputs within the specified range, the RF output calibration is preserved and the level meter reads the pulse-on power of the RF output. For repetition rates below that specified, the pulsed RF output is still available but the pulse-on level is no longer calibrated or metered.

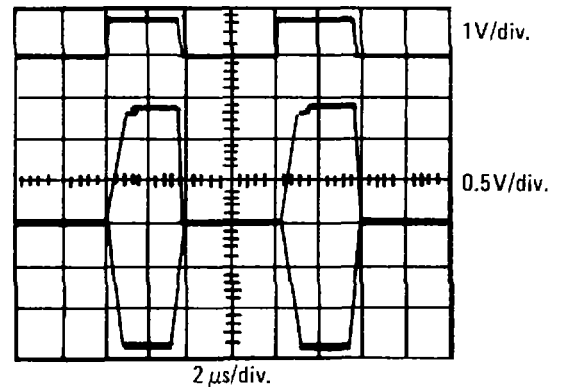


Figure 1-5. Pulsed RF 20 MHz Carrier Frequency

1-41. Frequency Modulation

1-42. FM is calibrated, metered and constant with frequency and band changes. Peak deviations to at least 0.5% of carrier frequency are available (i.e., 1% of the minimum frequency in each octave band). On the 256 512 MHz band, for example, the maximum deviation is 2.56 MHz peak or 5.12 MHz peak-to-peak. With this wide deviation capability, it is possible to sweep the generator, using the dc coupled FM mode and a sawtooth input, to test and align IF filters and discriminators.

1-43. For narrowband FM applications, a minimum full scale deviation of 5 kHz is provided on the meter and the PEAK DEVIATION range switch. When switching from the CW to FM mode, there is negligible shift in carrier frequency and no degradation in spectral purity for these narrow deviations. With the generator in the phase lock mode it is possible to modulate at rates from 50 Hz to 250 kHz with accurate narrowband FM and the carrier drift stability of a crystal oscillator. Using the unlocked mode, it is possible to modulate from dc to 250 kHz with a carrier drift stability of <10 ppm/10 min.

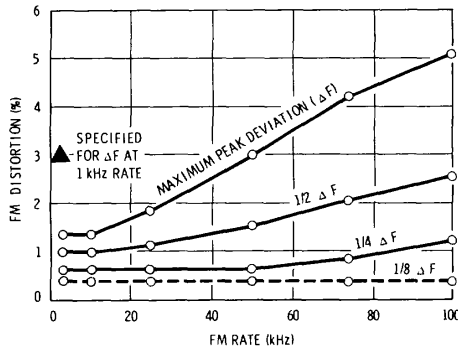


Figure 1-6. FM distortion vs FM rate measured in the 8-16MHz band, but applies to all bands (supplemental information only).

1-44. Standard and Optional Audio Oscillators

1-45. Standard tones for internal modulation are 400 Hz and 1000 Hz. These tones are also available at the front panel and can be varied in output level from 1 V to 10 mV into 600Ω. Total harmonic distortion is typically <0.25%.

1-46. Optionally available on the Signal Generator is a built-in variable frequency oscillator covering the range 20 Hz to 600 kHz (fixed tones of 400 Hz and 1000 Hz are also provided). This internal oscillator provides a wide range of standard modulation frequencies and can be used for receiver audio bandwidth testing as well. Output from this modulation source is available separately at the front panel and can be varied in level from 3 V to 20 mV into 600Ω. This audio oscillator, Option 001, extends the usable CW range of the generator down to 20 Hz.

1-47. Multi-Function Meter and Annunciators

1-48. The front panel on the Signal Generator monitors the RF output level in dBm and volts, the AM modulation percentage, and the FM peak deviation in kHz or MHz. The accuracy of this meter is usually better than +3% of reading. Pushbuttons select the meter function, and scale lights indicate the range on which the meter reading should be made. For RF output level and AM%, the scales autorange for better resolution. For FM, the appropriate scale is selected by the PEAK DEVIATION range switch.

1-49. Also provided are three front panel annunciators that indicate when certain settings of RF level and modulation controls exceed specified limits. Besides giving a warning indication, the annunciators instruct the operator how to return the instrument to proper operation.

1-50. For example, the REDUCE PEAK POWER annunciator lights whenever the combined settings of RF output level and AM modulation exceed the maximum specified output level of +19 dBm. Hence for 100% AM, the REDUCE PEAK POWER light will stay on until the RF level is reduced to +13 dBm.

1-51. The REDUCE PEAK DEVIATION annunciator lights whenever the PEAK DEVIATION RANGE switch has been set to exceed the allowable limits for any output FREQUENCY RANGE. The specification allows for a maximum peak deviation of 1% of the minimum frequency in each band (e.g., 2.56 MHz on the 256 512 MHz band). When the annunciator lights, the FM is automatically turned off and the FM meter reads zero.

1-52. The REDUCE FM VERNIER annunciator lights whenever the FM input and FM vernier setting combine to exceed the 1 volt drive level required to achieve the maximum deviation indicated on the PEAK DEVIATION range switch. When this occurs, either the FM vernier or the amplitude of the incoming modulation signal should be reduced to obtain specified FM performance.

1-53. Output Level 1-54. The wide output range of the generator is achieved with a 10 dB step attenuator and an 18 dB concentric vernier. Output levels can be read directly on the attenuator dial or (for greater accuracy) on the autoranging meter. The meter

scales are automatically selected to give the maximum indicator resolution for any output level.

1-55. The maximum output level of +19 dBm permits high level tests on receiver IF's, amplifiers, and mixers without additional power amplification. At the same time, extremely low leakage ensures receiver sensitivity measurements down to levels of 0.03 μ V in a shielded system.

1-56. For improved accuracy at low output levels, the meter, in conjunction with the attenuator, is factory-calibrated against a precision standard to remove much of the error that is accumulated from the attenuator steps. Using a power meter and calibrating the output for one output frequency and vernier setting, it is then possible to make sensitivity measurements to better than +1 dB accuracy down to output levels of -127 dBm.

1-57. OPTIONS

1-58. Option 001. Option 001 (covered in this manual) provides a modulation oscillator that is continuously settable from 20 Hz to 600 kHz. The oscillator can also be set for 400 Hz or 1 kHz fixed tones.

1-59. Option 002. Option 002 (not covered in this manual) provides an internal, active frequency doubler that extends the frequency range of the generator to 1024 MHz (to 1100 MHz with overrange).

1-60. Option 003. Option 003 (not covered in this manual) provides reverse power protection to the generator's output attenuator and amplifier. It is particularly useful when using the generator to test transceivers.

1-61. Option 004. Option 004 (not covered in this manual) provides a demodulated output and modified AM circuitry that can be used to set very accurate AM depths. It also provides a 1 dB output step attenuator in addition to the standard 10 dB output step attenuator. These features allow the generator to be used to test VOR, ILS, and VHF communications receivers.

1-62. ACCESSORIES SUPPLIED

1-63. The Model 8640B is supplied with the following accessories (they are shown in Figure 1-1)

Line Power Cable (HP 8120-1378)
2 Amp Fuse (HP 2110-0002)
1 Amp Fuse (HP 2110-0001)

1-64. The following accessories are mounted inside the instrument's chassis and are available for adjustment and repair (for more information, see Sections V and VIII):

Combination Wrench (HP 08640-00027)

Spare fuses for power supply circuit boards

Spare power supply regulator integrated circuit

30-Pin Extender Board (HP 08640-60036)

1-65. EQUIPMENT AVAILABLE

1-66. A Rack Mounting Kit is available to install the instrument in a 19-inch rack. Rack Mounting Kits may be obtained through your nearest Hewlett-Packard Office by ordering HP Part Number 5060-8740.

1-67. Termination. The HP Model 11507A Termination maintains the generator's output level calibration when the output is connected to load impedances other than 50 ohms. It can provide source impedances of 25 and 5 ohms, and it can simulate a broadcast-band dummy antenna. The frequency range is 50 kHz to 65 MHz.

1-68. 75 Ohm Adapter. The HP Model 11687A 50 to 75 Ohm Adapter connects to the generator's output to provide a source impedance of 75 ohms.

1-69. Doubler. The HP Model 11690A Doubler extends the usable frequency range of the generator one octave to 1024 MHz (actually to 1100 MHz with 7% frequency over-range). Conversion loss in the doubler is typically <13 dB.

1-70. Mixer. The HP Model 10514A Double Balanced Mixer can be used at the generator's output as a nanosecond pulse modulator or as a balanced mixer.

1-71. Protective Cover. The HP 5060-8767 Control Panel Cover protects the panel from dust and impact damage.

Model 8640B

1-72. WARRANTY

1-73. The Model 8640B is warranted and certified as indicated on the inner front cover of this manual. For further information, contact the nearest Hewlett-Packard Sales and Service Office; addresses are provided at the back of this manual.

1-74. TEST EQUIPMENT REQUIRED

1-75. Tables 1-2 and 1-3 list the test equipment and accessories required to check, adjust and repair the Model 8640B. If substitute equipment is used, it must meet the listed critical specifications.

NOTE

The safety classification of this instrument is Safety Class I. It has been designed and tested according to IEC Publication 348 *Safety Requirements for Electronic Measuring Apparatus*. The instruction manual contains information, warnings, and cautions which must be followed by the user to ensure safe operation and to retain the instrument in safe condition.

Table 1-1. Specifications (1 of 5)

(All specifications apply over the nominal Frequency Bands and over the top 10 dB of the output level vernier range unless otherwise specified.)

FREQUENCY CHARACTERISTICS

Range: 500 kHz to 512 MHz in 10 Octave Bands (to 1024 MHz with External Frequency Doubler).

Bands and Band Overlap: Bands extend 10% below and 7% above the nominal Frequency Bands shown below.

Frequency Bands (MHz)	Frequency Range (MHz) (with overlap)
0.5 - 1	0.45 - 1.07
1 - 2	0.9 - 2.1
2 - 4	1.8 - 4.2
4 - 8	3.6 - 8.5
8 - 16	7.2 - 17.1
16 - 32	14.4 - 34.3
32 - 64	28.8 - 68.7
64 - 128	57.5 - 137.5
128 - 256	115 - 275
256 - 512	230 - 550
External Doubler Band ¹	460 - 1100
512 - 1024	

Internal Counter Resolution:

Frequency Bands (MHz)	Normal Mode	Expand X10	Expand X100
0.5-1	10 Hz	1 Hz	0.1 Hz
1 -16	100 Hz	10 Hz	1 Hz
16 - 128	1 kHz	100 Hz	10 Hz
128 -1024	10 kHz	1 kHz	100 Hz

Accuracy: 6-digit LED display with X10 and X100 expand; accuracy depends on internal or external reference used.

$$\left[\begin{array}{c} \text{Total} \\ \text{Count} \\ \text{Accuracy} \end{array} \right] = \left[\begin{array}{c} \text{Counter} \\ \text{Resolution} \\ (\pm 1 \text{ count}) \end{array} \right]^2 + \left[\begin{array}{c} \text{Reference} \\ \text{Error} \\ (\text{INT or EXT}) \end{array} \right]$$

Internal Reference Error <±2 ppm (when calibrated at 25°C every 3 months and operated between 15°C and 35°C)

Fine Tuning:

Unlocked: >200 ppm total range.
 Locked mode: >±20 ppm by varying internal time base vernier.

Stability:

	Normal	Locked ³
Time (after 2-hour warm-up)	<10 ppm/10min	<0.05 ppm/hr
Temperature	<50 ppm/°C	<2 ppm total ⁴ (room ambient 15 to 35°C)
Line Voltage⁵ (+5% to -10% line voltage change)	<1 ppm	<0.1 ppm
Load (with any passive load change)	<1 ppm	None measurable
Level Change (10 dB on output level vernier)	<1 ppm	
Mode Change (CW to FM)	<1% of selected peak deviation or <200 Hz whichever is greater	

¹ In the External Doubler Band. the 8640B counter displays the actual doubled output frequency. and the FM meter indicates the proper peak deviation.

² When phase locked, Counter Resolution error is eliminated.

³ These specifications are given for the 8640B internal reference. When using an external reference, drift in the locked mode will depend on the external reference characteristics.

⁴ Phase lock may break due to temperature change (i.e., during warm-up). Simply relock at desired frequency.

⁵ This specification is for short term, transient line changes.

Table 1-1. Specifications (2 of 5)

FREQUENCY CHARACTERISTICS (Cont'd)

Restabilization Time:

	Normal	Locked ¹
After frequency change	<15 min	<1 min after relocking to be within 0.1 ppm of steady-state frequency
After band change	None	
After 1 min in RF OFF Mode	<10 min	

SPECTRAL PURITY

Harmonics: (at 1 volt, +13 dBm, output range and below)
 >35 dB below fundamental of 0.5 to 128 MHz.
 >30 dB below fundamental of 128 to 512 MHz.

Subharmonics and Nonharmonic Spurious: (excluding frequencies within 15 kHz of carrier whose effects are specified in Residual AM and FM): >100 dB below carrier.

Noise: Averaged rms noise level below carrier stated in a 1 Hz bandwidth.

SSB Phase Noise at 20 kHz offset from carrier. (See Figures 1-2 and 1-3.)
 256 MHz to 512 MHz: >130 dB from 230 to 450 MHz increasing linearly to >122 dB down at 550 MHz.
 0.5 MHz to 256 MHz: Decreases approximately 6 dB for each divided frequency range until it reaches SSB Broadband Noise Floor of >140 dB.

SSB Broadband Noise Floor at maximum vernier greater than 500 kHz offset from carrier. (See Figures 1-2 and 1-3.) 0.5 to 512 MHz: >140 dB.

Residual AM: (Averaged rms)

Post-detection Noise Bandwidth	
300 Hz to 3 kHz	20 Hz to 15 kHz
>85 dB down	>78 dB down

Residual FM: (Averaged rms)

	CW and up to 1/8 maximum allowable peak deviation		Up to maximum allowable peak deviation	
Post-detection Noise Bandwidth	300 Hz	20 Hz	300 Hz	20 Hz
	to	to	to	to
	3 kHz	15 kHz	3 kHz	15 kHz
230 to 550 MHz	<5 Hz	<15 Hz	<15 Hz	<30 Hz

Note: Residual FM decreases by approximately 1/2 for each divided frequency range until limited by broadband noise floor. This limit for 300 Hz to 3 kHz is about 1 Hz, and for 20 Hz to 15 kHz is about 4 Hz. These are measured values in the 230 to 550 MHz range and calculated for divided ranges, knowing the noise distribution.

OUTPUT CHARACTERISTICS

Range: 10 dB steps and 18 dB vernier provide output power settings from +19 to -145 dBm (2V to 0.013μ) into 50Ω.

Level Flatness: <±0.5 dB from 0.5 to 512 MHz referred to output at 50 MHz. (Flatness applies to +13 to -7 dBm and for top 10 dB of vernier range.)

¹ These specifications are given for the 8640B internal reference. When using an external reference, drift in the locked mode will depend on the external reference characteristics.

Table 1-1. Specifications (3 of 5)

OUTPUT CHARACTERISTICS (Cont'd)

Impedance: 50Ω, ac coupled, 40 Vdc maximum, VSWR <2.0 on 2V and 1V output ranges; <1.3 on all other ranges.

Reverse Power: 20 dBm maximum on 2V and 1V output ranges; 27 dBm maximum on all other ranges.

Auxiliary Output: Rear panel BNC output is >-5 dBm into 50Ω, source impedance is approximately 500Ω.

Leakage: (With all unused outputs terminated properly.) Leakage limits are below those specified in MIL-I-6181D. Furthermore, less than 3 μV is induced in a 2-turn, 1-inch diameter loop 1 inch away from any surface and measured into a 50Ω receiver. This permits receiver sensitivity measurements to at least <0.03μV in a shielded system.

Level Accuracy:

	Using Top 10 dB of Vernier Range			Using Full Vernier Range
Output Level (dBm)	+19 to -7	-7 to -47	-47 to -137	+19 to -145
Total Accuracy as Indicated on Level Meter	±1.5 dB	±2.0 dB	±2.5 dB	Add ±0.5 dB
Note: Level Accuracy error consists of allowances for: meter accuracy, detector linearity, temperature, flatness, attenuator accuracy, and twice the measurement error. All but the attenuator accuracy and the measurement error can be calibrated out with a power meter at a fixed frequency and a fixed vernier setting.				

MODULATION CHARACTERISTICS

General

Types: Internal AM and FM.
External AM, FM, and PULSE.
Simultaneous AM and FM or PULSE and FM.

Internal Modulation Sources: (independently adjustable output is available at front panel).

Standard:
Frequency: Fixed 400 Hz and 1 kHz, +2%.
Output Level: Indicated 10 mV to 1 Vrms into 600Ω.

Optional: (Internal Variable Audio Oscillator Option 001).

Frequency: Variable 20 Hz to 600 kHz, ±10% in 5, decade continuous bands plus fixed 400 Hz and 1 kHz ±2%.

Output Level: 20 mV to 3V into 600Ω.

Total Harmonic Distortion:
<0.25% 400 Hz and 1 kHz fixed tones
<0.5% 20 Hz to 2 kHz
<1.0% 2 kHz to 600 kHz

Amplitude Modulation

(AM specifications apply to the top 10 dB of output vernier range unless otherwise specified.)

Depth: 0 to 100% for output level range of +13 dBm and below and for top 10 dB of vernier range.¹

AM Rates: INT and EXT ac; 20 Hz to AM 3 dB bandwidth below. EXT dc; dc to AM 3 dB bandwidth below.

AM 3 dB Bandwidth: (See Figure 1-4).

Frequency Bands	0 to 50% AM	50 to 90% AM
0.5 - 2 MHz	20 kHz	12.5 kHz
2 - 8 MHz	40 kHz	25 kHz
8 - 512 MHz	60 kHz	50 kHz

¹ AM is possible above +13 dBm as long as the combination of the AM depth plus carrier output level does not exceed +19 dBm.

Table 1-1. Specifications (4 of 5)

MODULATION CHARACTERISTICS (Cont'd)

Amplitude Modulation (Cont'd)

AM Distortion: (at 400 Hz and 1 kHz rates)

Frequency Bands	0 to 50% AM	50 to 90% AM
0.5 to 512 MHz	<1%	<3%

External AM Sensitivity: (400 Hz and 1 kHz rates) (0.1 ± 0.005)% AM per mV peak into 600Ω with AM vernier at full CW position.

Indicated AM Accuracy: (400 Hz and 1 kHz rates using internal meter)

±8% of reading on 0 - 10 scale.
±9% of reading on 0 - 3 scale (for greater than 10% of full scale).

Peak Incidental PM (at 30% AM)

Less than 0.15 radians, 0.5 to 128 MHz.
Less than 0.3 radians, 128 to 512 MHz.

Peak Incidental Frequency Deviation: Equals PEAK INCIDENTAL PM x MODULATION RATE.

Pulse Modulation

(Specifications apply for top 10 dB of output vernier range.)

Frequency Bands (MHz)	0.5 - 1	1 - 2	2-8	8- 32	32 - 512
Rise and Fall Times	<9 μs	<4 μs	<2 μs	<1 μs	
Pulse Repetition Rate	50 Hz to 50 kHz		50 Hz to 100 kHz	50 Hz to 250 kHz	50 Hz to 500 kHz
Pulse Width Minimum for level accuracy within 1 dB of CW (>0.1% duty cycle)	10 μs		5 μs	2 μs	
Pulse ON/OFF ratio at maximum vernier	>40 dB				
Peak Input Required	Nominally +0.5V (+5V max) waveform, return to zero, into 50Ω Schmitt trigger.				

Frequency Modulation

Deviation: Maximum allowable deviation equals 1% of lowest frequency in each band as below.

Frequency Band (MHz)	Maximum Peak Deviation (kHz)
0.5 - 1	5
1 - 2	10
2 - 4	20
4-8	40
8- 16	80
16-32	160
32-64	320
64 - 128	640
128 - 256	1280
256 - 512	2560
512- 1024	5120

FM 3 dB Bandwidth:¹

Internal and External ac; 20 Hz to 250 kHz.
External dc; dc to 250 kHz.

FM Distortion: (at 400 Hz and 1 kHz rates) See Figure 1-6. <1% for deviations up to 1/8 maximum allowable. <3% for maximum allowable deviation.

External FM Sensitivity: 1 volt peak yields maximum deviation indicated on PEAK DEVIATION switch with FM vernier at full CW position.

External FM Sensitivity Accuracy: ±6% from 15 to 35°C for FM excluding maximum peak deviation position. Maximum peak deviation position, ±9% typically.

¹ With 86408 in, LOCKED MODE, external FM is possible only for rates greater than 50 Hz.

Table 1-1. Specifications (5 of 5)

MODULATION CHARACTERISTICS (Cont'd)

Frequency Modulation (Cont'd)

Indicated FM Accuracy:

(400 Hz and 1 kHz rates using internal meter) $\pm 10\%$ of meter reading (for greater than 10% of full scale).

Incidental AM: (at 400 Hz and 1 kHz rates)

<0.5% AM for FM up to 1/8 maximum allowable deviation.
<1% AM for FM at maximum allowable deviation.

COUNTER CHARACTERISTICS

External RF Input:

Frequency Range: 1 Hz to 550 MHz.
Sensitivity: 100 mVrms, ac only, into 50 Ω 1 (-7 dBm).
Maximum Input: 1.3 Vrms (+15 dBm).

Internal Reference Characteristics: (after 2-hr. warm-up)

Accuracy: (after calibration at 25°C)
Better than +1 ppm for 15 to 35°C.
Better than ± 3 ppm for 0 to 55°C.

External Count Resolution: 6-digit LED DISPLAY

Mode	Normal	Expand X10	Expand X100
0 - 10 MHz	100 Hz	10 Hz	1 Hz
0 - 550 MHz	10 kHz	1 kHz	100 Hz

Drift Rate:

Time: <0.05 ppm per hr, <2 ppm per year.
Temperature: <2 ppm total variation for room ambient 15 to 35°C.
Line Voltage: <0.1 ppm.

External Reference Input: 5 MHz, nominally >0.5 Vp-p (5V maximum) into 1000 Ω .

Frequency Tuning:

> ± 20 ppm using internal time base vernier.

Rear Output: nominally >0.5 Vp-p into 500 Ω . This will drive another 8640B.

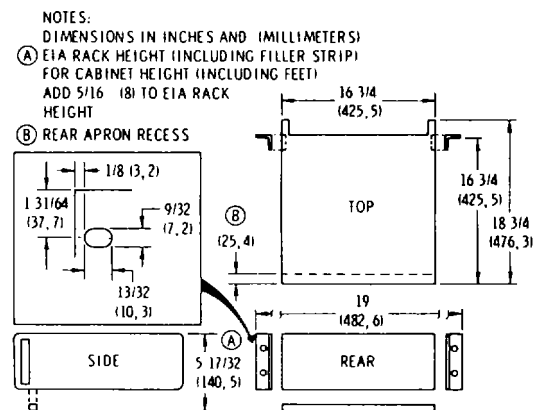
GENERAL CHARACTERISTICS

Operating Temperature Range: 0 to 55°C.

Power Requirements: 100, 120, 220, and 240 volts, +5%, -10%, 48 to 440 Hz; 175 VA maximum. 71/2 ft. (2,29 m) power cable furnished with mains plug to match destination requirements.

Weight: Net, 45 lb (20,4 kg).

Dimensions:¹



¹ Dimensions are for general information only. If dimensions are required for building special enclosures, contact your HP office.

Table 1-2. Recommended Test Equipment (1 of 7)

Instrument Type	Critical Specifications	Suggested Model	Use*
Adjustable Stub	Length: >50 cm Range: to 550 MHz	GR 874-D50L	P
20 dB Amplifier	Range: 0.5 - 520 MHz (3 required) Flatness over Range: ± 2 dB Impedance: 50 Ω Noise Figure: <5 dB	HP 8447A Gain: 20 to 25 dB	P,A
20 dB Amplifier	Range: 400 - 1200 MHz Gain: >20 dB Flatness: ± 2 dB Impedance: 50 Ω Noise Figure: <5 dB to 1 GHz	HP 8447B	P
40 dB Amplifier	Range: 5 Hz to 100 kHz Gain: 20 and 40 dB ± 1 dB Input Impedance: >5 k Ω Output Impedance: 50 Ω Noise: <25 μ Vrms referred to input Output: >1 Vrms into 5012	HP 465A	P,A
40 dB Amplifier	Range: 20 Hz to 100 kHz Gain: 40 ± 1 dB Input Impedance: 50 Ω Noise Figure: <3 dB when driven from 50 Ω Output Level: >100 mV in 50 Ω	HP 08640-60506	P
One-Inch Loop Antenna	To ensure measurement accuracy, no substitution is possible. Fabrication depends upon machining and assembling to very close tolerances.	HP 08640-60501	P
10 dB Step Attenuator	Attenuation: 0 - 120 dB in 10 dB steps Range: 0.45-550 MHz Accuracy: ± 1.5 dB to 90 dB ± 0.3 dB to 120 dB (below 1 kHz)	HP 355D	P,A
Calibrated Step Attenuator	Attenuation: 0 - 120 dB in 10 dB steps Accuracy: $\pm (0.02 \pm 0.015$ dB/10 dB step) at 3 MHz	HP 355D Option H36	P,A
*P = Performance; A = Adjustment; T = Troubleshooting			

Table 1-2. Recommended Test Equipment (2 of 7)

Instrument Type	Critical Specifications	Suggested Model	Use*
3 dB Attenuator	Accuracy: ± 0.5 dB to 550 MHz	HP 8491A Option 003	P,A
10 dB Attenuator	Accuracy: ± 0.5 dB to 550 MHz	HP 8491A Option 010	P,A
20 dB Attenuator	Accuracy: ± 0.5 dB to 550 MHz	HP 8491A Option 020	P,A
Crystal Detector	Range: 0.45 - 550 MHz Low Level Sensitivity: >0.35 mV/ μ W No internal dc return	HP 8471A	P
Crystal Detector	Range: 10 - 550 MHz Maximum Sensitivity: at 15 - 17 dBm input With internal dc return	HP 423A	P
Digital Voltmeter	DC Accuracy: \pm (0.01% of reading +0.02% of range) AC (True RMS) Accuracy: $\pm 0.1\%$ of reading Ohms Range: to 1 k Ω	HP 3480B/ 3484A (with Options 042, 043)	P,A,T
Digital to Analog Converter	Accuracy: 1% of full scale Input Code: 1248 with 1 (on) state positive (compatible with Fred- quency Counter) Output: Compatible with Strip Chart Recorder	HP 581A Option 002	P
Directional Coupler	Range: 100 - 550 MHz Coupling Attenuation: 20 dB Directivity: 36 dB VSWR: $<1.1:1$	HP 778D Option 12	P
Distortion Analyzer	Range: 20 Hz to 600 kHz Distortion Range: $<0.1\%$ Minimum Input: <300 mVrms	HP 333A	P
FM Discriminator	Ranges: 100 kHz to 10 MHz Linear Analog Output: 1V for full scale	HP 5210A	P,A
*P = Performance; A = Adjustment; T = Troubleshooting			

Table 1-2. Recommended Test Equipment (3 of 7)

Instrument Type	Critical Specifications	Suggested Model	Use*
With Filter Kit	Output Low Pass Filters for FM Discriminator (20 kHz and 1 MHz Butterworth filters)	With HP 10531A	P,A
600 Ohm Feedthrough	Impedance: 600 \pm 1% shunt Connectors: BNC	HP 11095A	P,A
520 MHz Notch Filter	Notch Frequency Accuracy: 500 - 540 MHz Notch Rejection: >60 dB See Figure 1-7	HP 08640-60502	P
4 MHz Low Pass Filter (2 required)	4 MHz low pass (3 pole) Impedance: 50 Ω VSWR: <1.5:1 Ripple: < \pm 0.2 dB	CIR-Q-TEL FLT/21B-4-3/ 50-3A/3B	P,A
1.5 MHz Low Pass Filter	1.5 MHz low pass (3 pole) Impedance: 50 Ω VSWR: <1.5:1 Ripple: < \pm 0.2 dB	CIR-Q-TEL FLT/21B- 1500K-3/50- 3A/3B	P,A
15 kHz Low Pass Filter	15 kHz low pass (7 pole) Impedance: 50 Ω Ripple: < \pm 0.2 dB	CIR-Q-TEL FLT/21B-15K- 7/50-3A/3B	P
3 kHz Low Pass Filter	3 kHz low pass (5 pole) Impedance: 50 Ω Ripple: < \pm 0.2 dB	CIR-Q-TEL FLT/21B-3K- 5/50-3A/3B	P
Frequency Counter	Range: to 550 MHz Input Sensitivity: <100 mV Inputs: 50 Ω and high impedance (1 M Ω) Standard Reference Accuracy: <3 x 10 ⁻⁷ /month aging rate <5 x 10 ⁻⁹ /s rms short term stability < \pm 2.5 x 10 ⁻⁶ , 0 - 50°C temperature stability Optional Reference Accuracy: <3 x 10 ⁻⁹ /day aging rate <1 x 10 ⁻¹⁰ /s rms short term stability <1 x 10 ⁻⁸ , 0 - 50°C temperature stability	HP 5327C Option H49	P,A,T P
*P = Performance; A = Adjustments; T = Troubleshooting			

Table 1-2. Recommended Test Equipment (4 of 7)

Instrument Type	Critical Specifications	Suggested Model	Use*
Frequency Counter (Cont'd)	Optional Digital Output: 1248 with 1 (on) state positive (compatible with D/A Converter)	Option 003	P
Function Generator	Range: 0.1 Hz to 1 kHz Output Impedance: 600Ω Output Level: >1 Vpk	HP 3300A	P,A
FM Linearity Circuit Mixer (3 required)	See Figure 1-8 Double Balanced Range: 0.45 - 550 MHz	HP 08640-60503 HP 10514A	A P,A
Noise Phase Lock Circuit Oscilloscope	See Figure 1-9 50 MHz Real Time Sensitivity: 5 mV/division Internal/External Sweep and Triggering	HP 08640-60504 HP 180A/1801A/ 1820C	P P,A,T
Power Meter	Range: 0.45 - 550 MHz Input: -20 to +10 dBm Accuracy: 1%	HP 432A	P,A,T
With Thermistor Mount	VSWR: <1.3:1 Option H63	With HP 478A	
Power Meter	Range: 10 - 550 MHz Input Level: -10 to +20 dBm Accuracy: ±1% of reading VSWR: <1.18:1	HP 435A	P,A
With Power Sensor (Thermocouple)		With HP 8481A	
Pulse Generator	Range: 50 Hz to 500 kHz Output: >1V into 50Ω Pulse Width: down to 1 μs Transition Time: <50 ns	HP 8003A	P,T
Quartz Oscillator	Output: 1 MHz (level compatible with Frequency Counter) Stability: <5 x 10 ⁻¹⁸ /24 hours <5 x 10 ⁻¹² /s	HP 105B	P
*P = Performance; A = Adjustments; T = Troubleshooting			

Table 1-2. Recommended Test Equipment (5 of 7)

Instrument Type	Critical Specifications	Suggested Model	Use*
RMS Voltmeter	Range: 10 Hz to 100 kHz Reading: True rms (ac only) Voltage Range: 1 mV to 10V full scale Accuracy: 1% of full scale 50 Hz to 50 kHz Scale: Voltage and dB	HP 3400A	P
Signal Generator	Range: 0.45 - 550 MHz Output: >13 dBm into 50Ω Drift: <20 ppm/10 min. SSB Phase Noise: >130 dB down from 230 to 450 MHz increasing linearly to >122 dB down at 550 MHz (stated in a 1 Hz bandwidth at 20 kHz offset from carrier) and decreasing approximately 6 dB/octave for each divided down range - but need not be less than 140 dB down Residual FM: <15 Hz rms in 20 Hz to 15 kHz post-detection noise bandwidth; < 5 Hz rms in 0.3-3 kHz post detection noise bandwidth Aux RF Out: >-5 dBm Leakage: <3 μV induced in a 2-turn, 1-inch diameter loop 1 inch away from any surface and measured into a 50n receiver. FM: dc coupled; at least 40 kHz deviation for 1V input	HP 8640A	P,A
Audio Spectrum Analyzer	Range: 20 - 200 kHz Amplitude Calibration: Display Accuracy: ±0.25 dB/dB but not more than 1.5 dB over 70 dB dynamic range Flatness: ±0.2 dB Vertical Reference Scale: 10 dB/division log, 2 dB/division (or less) log, and linear display calibration Average Noise Level: <-120 dBm (50Ω) with 1 kHz IF bandwidth Spurious Responses: >60 dB down for nominal specified inputs	HP 141T/ 8552B/8556A	P
*P = Performance; A = Adjustments; T = Troubleshooting			

Table 1-2.- Recommended Test Equipment (6 of 7)

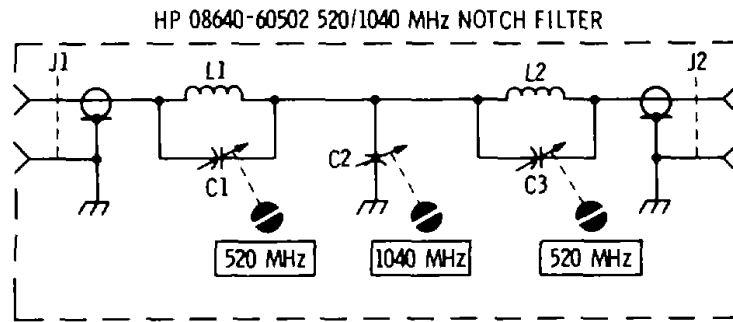
Instrument Type	Critical Specifications	Suggested Model	Use*
Audio Spectrum Analyzer (Cont'd)	Tracking Generator: Flatness: ± 0.25 dB Level: >3 Vrms into 600μ		
Spectrum Analyzer	Range: 0.5 - 1200 MHz Amplitude Calibration: Display Accuracy: ± 0.25 dB/dB but not more than 1.5 dB over 70 dB dynamic range Flatness: ± 1 dB IF Gain Step Accuracy: ± 0.2 dB Vertical Reference Scale: 10 dB/ division log, 2 dB/division (or less) log, and linear display cali- bration Average Noise Level: <-102 dBm with 10 kHz IF bandwidth Spurious Responses: >60 dB down for inputs of -40 dBm or less Span Width: 0 - 1 GHz Compatible with Tracking Generator	HP 141T/ 8552B/8554B	P,A
Spectrum Analyzer	Range: 0.45 -100 MHz IF Bandwidths: down to 10 Hz All other specifications are the same as the HP 141T/8552B/8554B listed above except Span Width which should be 0 - 100 MHz (should be compatible with Tracking Generator).	HP 141T/ 8552B/8553B	P,A
Recorder (Strip Chart)	Compatible with Digital to Analog Converter Accuracy: 0.5% of full scale	HP 680	P
Temperature Controlled Chamber Test Oscillator	Range: 0 - 55°C Model 325 Range: 20 Hz to 600 kHz Output Impedance: 600Ω and 50Ω Distortion: >40 dB down Output Level: >1 Vrms	Statham HP 652A	P P,A,T
*P = Performance; A = Adjustments; T = Troubleshooting			

Table 1-2. Recommended Test Equipment (7 of 7)

Instrument Type	Critical Specifications	Suggested Model	Use*
Tracking Generator	Output: to 0 dBm (50Ω) Flatness: ±0.5 dB Compatible with Spectrum Analyzer (HP 141T/8552B/8554B)	HP 8444A	P,A
Tracking Generator	Output: to 0 dBm (50Ω) Compatible with Spectrum Analyzer, (HP 141T/8552B/8553B)	HP 8443B	P,A
Variable Phase Oscillator	Range: 20 Hz to 60 kHz Output Impedance: 600Ω Phase Variability: 0 to 360° Distortion: >64 dB down	HP 203A	P,A
Variable Voltage Transformer	Range: +5% to -10% of nominal line voltage (100, 120, 220 or 240 volts). For 120V, range is 105 - 130 Vrms. Metered Accuracy: ±1 Vrms	GR W5MT3A	P
Vector Voltmeter	Range: 1 - 550 MHz Sensitivity: <20μV Phase Range: +18° full scale down to +6° full scale Phase Resolution: 0.1° Phase Accuracy: ±1.5° Voltage Ratio Accuracy: 0.2 dB	HP 8405A	P
VSWR Bridge	Range: 0.45 - 550 MHz Directivity: >40 dB Connectors: Type N	Wiltron Model 60N50	P
*P = Performance; A = Adjustments; T = Troubleshooting			

Table 1-3. Recommended Test Accessories

Accessory Type	Suggested Model
Adapter (Type N Male and BNC Female connectors)	HP 1250-0067
Adapter (BNC Male and dual Banana post connectors)	HP 10110A
Adapter (two SMC Male connectors)	HP 1250-0827
Double Shielded Cable (BNC Male connectors, Coaxial)	HP 08708-6033
Nine-Inch Cable (BNC Male connectors, Coaxial)	HP 10502A
Test Cable (48-inch, BNC Male connectors, Coaxial)	HP 10503A
Test Cable (SMC Male and BNC Male connectors)	HP 11592-60001
50 Ohm Load (Male, BNC, Coaxial)	HP 11593A
Coaxial Short (Male Type N)	HP 11512A
Tee (Coaxial, BNC, one Male and two Female connectors)	HP 1250-0781
Voltage Probe (1:1)	HP 10025A
Extender Board (20 pins)	HP 5060-0256
Bumpers (2) for Extender Board	HP 0403-0115
5 μ F Capacitor	HP 0180-2211
100 μ F Capacitor	HP 0180-0094
0.001 μ F Capacitor	HP 0160-0153
0.033 μ F Capacitor	HP 0160-0163
1 k Ω Resistor	HP 0757-0280
10 k Ω Resistor	HP 0757-0442
SPST Switch	HP 3101-0163



- C1-3 2-8 pF CERAMIC TRIMMER (HP 0121-0060).
 - J1 BNC MALE CONNECTOR (HP 1250-0045).
 - J2 BNC FEMALE CONNECTOR (HP 1250-0083).
 - L1,2 1.5 INCH NO. 18 ENAMELED WIRE, 2 TURNS. BOX AND LID.
- REJECTION: 60 dB AT NOTCH
 NOTCH FREQUENCY ACCURACY: 500-540 MHz

Figure 1-7. 520/1040 MHz Notch Filter.

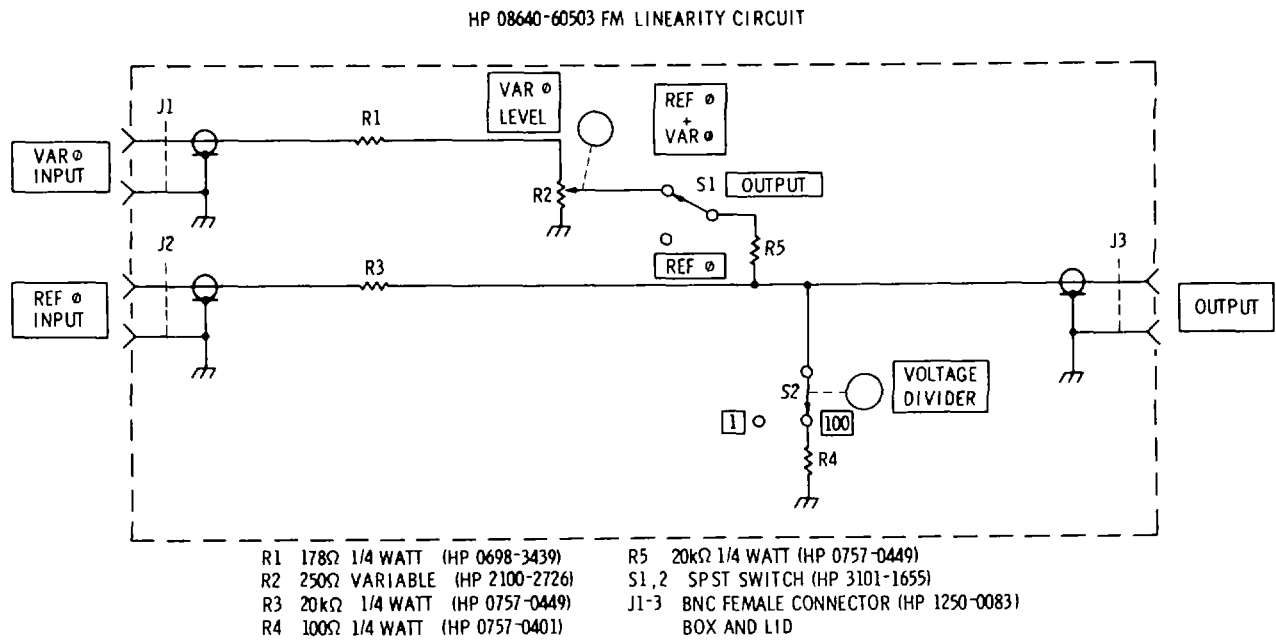


Figure 1-8. FM Linearity Circuit.

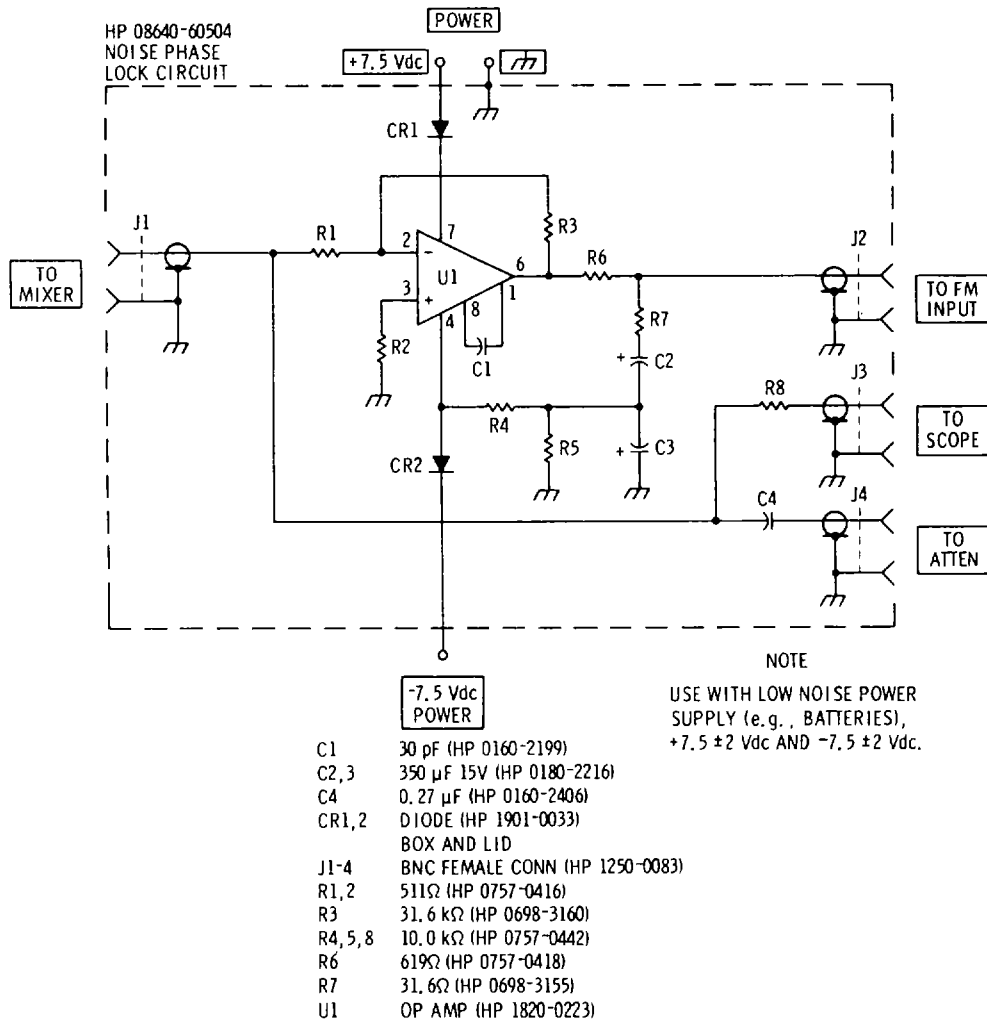


Figure 1-9. Noise Phase Lock Circuit.

SECTION II INSTALLATION

2-1. INTRODUCTION

2-2. This section explains how to prepare the Model 8640B Signal Generator for use. It explains how to connect the instrument to accept available line voltage, and it also describes bench operation, rack mounting, storage, and shipment.

2-3. INITIAL INSPECTION

2-4. Inspect the shipping container for damage. If the shipping container or cushioning material is damaged it should be kept until the contents of the shipment have been checked for completeness and the instrument has been checked mechanically and electrically. The contents of the shipment should be as shown in Figure 1-1, and procedures for checking electrical performance are given in Section IV. If the contents are incomplete,

if there is mechanical damage or defect, or if the instrument does not pass the electrical performance test, notify the nearest Hewlett-Packard office. If the shipping container is damaged, or the cushioning material shows signs of stress, notify the carrier as well as the Hewlett-Packard office. Keep the shipping materials for carrier's inspection. The HP office will arrange for repair or replacement without waiting for claim settlement.

2-5. PREPARATION FOR USE

2-6. Power Requirements

2-7. The Model 8640B requires a power source of 100, 120, 220, or 240 Vac +5-10%, 48 to 440 Hz, single phase. Power consumption is 175 VA maximum.

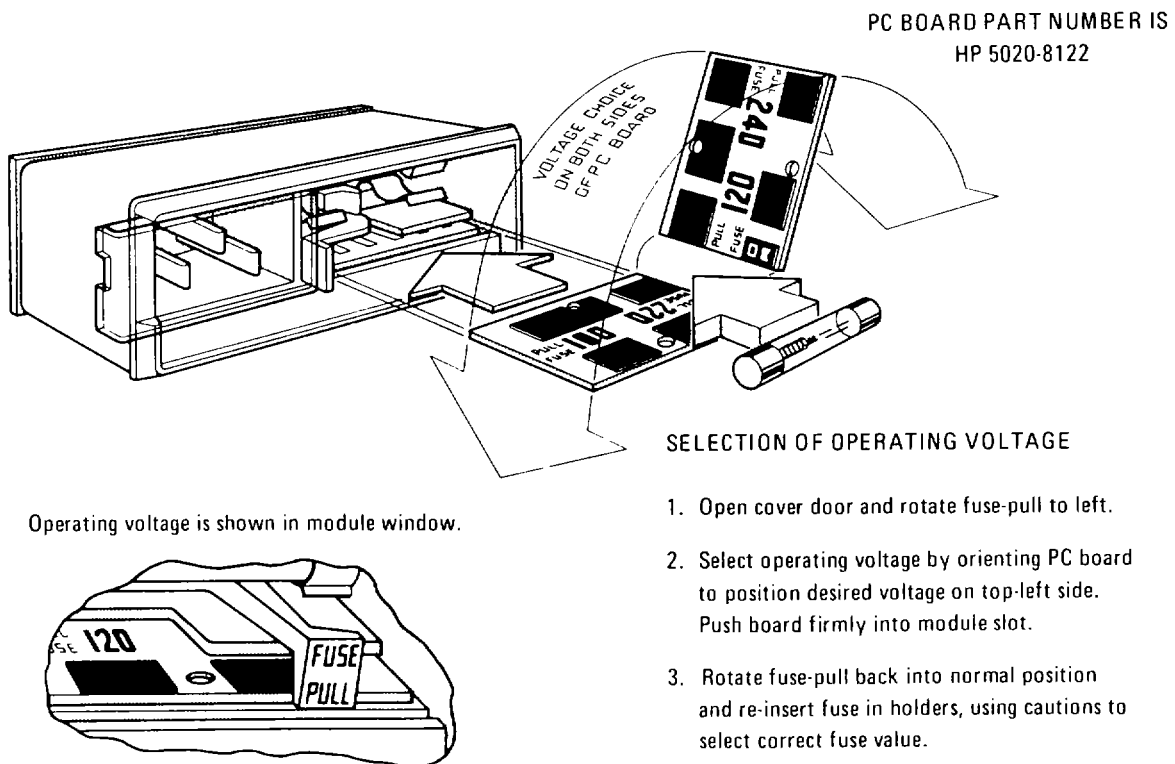


Figure 2-1. Line Selector

2-8. Line Voltage Selection

CAUTION

To prevent damage to the instrument, make the line voltage selection before connecting line power. Also ensure the line power cord is connected to a line power socket that is provided with a protective earth contact.

2-9. A rear panel, line power module permits operation from 100, 120, 220, or 240 Vac. The number visible in the window (located on the module) indicates the nominal line voltage to which the instrument must be connected.

2-10. To prepare the instrument for operation, slide the fuse compartment cover to the left (the line power cable should be disconnected). Pull the handle marked FUSE PULL and remove the fuse; rotate the handle to the left. Gently pull the printed circuit voltage selector card from its slot and orient it so that the desired operating voltage appears on the top-left side (see Figure 2-1).

Firmly push the voltage selector card back into its slot. Rotate the FUSE PULL handle to the right, install a fuse of the correct rating, and slide the fuse compartment cover to the right. A complete set of fuses is supplied with the instrument see ACCESSORIES SUPPLIED in Section I.

NOTE

The correct fuse rating for the line voltage selected is listed on the line power module. More information about fuses is given in the table of replaceable parts in Section VI (reference designation is FI).

2-1 1. Power Cable

2-12. In accordance with international safety standards, this instrument is equipped with a three-wire power cable. When connected to an appropriate power line outlet, this cable grounds the instrument cabinet. The type of power cable plug shipped with each instrument depends on the country of destination. Refer to Figure 2-2 for the part numbers of the power cable plugs available.

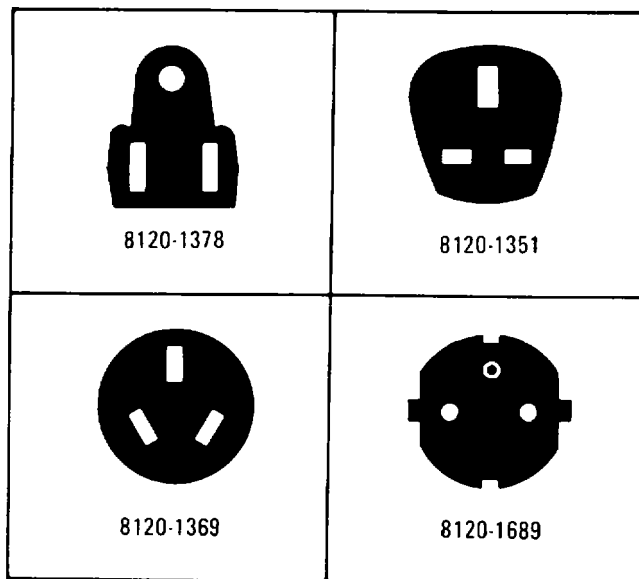


Figure 2-2. Power Cables Available.

WARNING

To avoid the possibility of injury or death, the following precautions must be followed before the instrument is switched on:

a. If this instrument is to be energized via an autotransformer for voltage reduction, make sure that the common terminal is connected to the earthed pole of the power source.

b. The power cable plug shall only be inserted into a socket outlet provided with a protective earth contact. The protective action must not be negated by the use of an extension cord without a protective conductor (grounding).

c. Before switching on the instrument, the protective earth terminal of the instrument must be connected to a protective conductor of the power cord. This is accomplished by ensuring that the instrument's internal earth terminal is correctly connected to the instrument's chassis and that the power cord is wired correctly (see Service Sheet 22).

2-13. Mating Connectors

2-14. Mating connectors used with the Model 8640B should be either 50 ohm-type BNC male or Type N male connectors that are compatible with US MIL-C-39012.

2-15. Operating Environment 2-16. The operating environment should be within the following limitations:

Temperature0°C to +55°C
Humidity.....<95% relative
Altitude.....<15,000 feet

2-17. A forced-air cooling system is used to maintain the operating temperature required within the instrument. The air intake and filter are located on the rear panel, and warm air is exhausted through perforations in the right-hand side panel. When operating the instrument, choose a location that provides at least three inches of clearance at the rear and two inches clearance at the right side. The clearances provided by the plastic feet in bench stacking

and the filler strips in rack mounting are adequate for the top and bottom cabinet surfaces.

2-18. Bench Operation

2-19. The instrument cabinet has plastic feet and a foldaway tilt stand for convenience in bench operation. The tilt stand raises the front of the instrument for easier viewing of the control panel, and the plastic feet are shaped to make full-width modular instruments self-aligning when stacked.

2-20. Rack Mounting

2-21. A Rack Mounting Kit is available to install the instrument in a 19-inch rack. Rack Mounting Kits may be obtained through your nearest Hewlett-Packard Office by ordering HP Part Number 5060-8740. This kit contains all necessary hardware and installation instructions for mounting the instrument on a rack with 19-inch spacing (see Figure 2-3).

2-22. STORAGE AND SHIPMENT

2-23. Environment

2-24. The instrument should be stored in a clean, dry environment. The following environmental limitations apply to both storage and shipment:

Temperature-40°C to +75°C
Humidity.....<95% relative
Altitude..... <25,000 feet

2-25. Packaging

2-26. Original Packaging. Containers and materials identical to those used in factory packaging are available through Hewlett-Packard offices. If the instrument is being returned to Hewlett-Packard for servicing, attach a tag indicating the type of service required, return address, model number, and full serial number. Also, mark the container FRAGILE to assure careful handling. In any correspondence, refer to the instrument by model number and full serial number.

2-27. Other Packaging. The following general instructions should be used for re-packaging with commercially available materials:

a. Wrap the instrument in heavy paper or plastic. (If shipping to a Hewlett-Packard office or service center, attach a tag indicating the type of service required, return address, model number, and full serial number.)

b. Use a strong shipping container. A doublewall carton made of 350-pound test material is adequate.

c. Use enough shock-absorbing material (3to 4-inch layer) around all sides of the instrument to provide a firm cushion and prevent movement inside the

container. Protect the control panel with cardboard.

d. Seal the shipping container securely.

e. Mark the shipping container FRAGILE to assure careful handling.

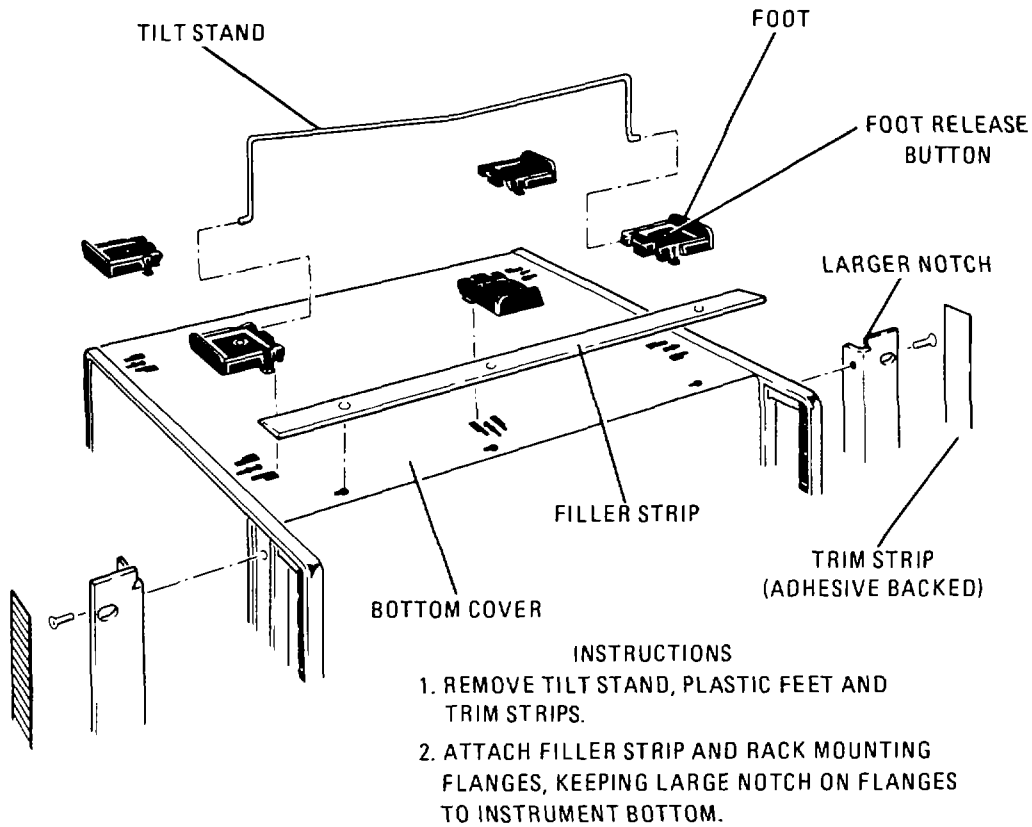


Figure 2-3. Preparation for Rack Mounting.

**SECTION III
OPERATION**

3-1. INTRODUCTION

3-2. This section describes the functions of the controls and indicators of the Model 8640B Signal Generator. It explains how to set the frequency, amplitude, and modulation controls, and covers such operator maintenance as fuse and indicator lamp replacement and fan filter cleaning.

3-3. PANEL FEATURES

3-4. Front panel controls, indicators, and connectors are shown and described in Figure 3-2. Rear panel controls and connectors are shown and described in Figure 3-3.

3-5. OPERATOR'S CHECKS

3-6. Use the operator's checks in Figure 3-4 to verify proper operation of the Signal Generator's main functions.

3-7. OPERATING INSTRUCTIONS

3-8. Figures 3-5 and 3-6 explain how to set the frequency, amplitude, and modulation controls. Figure 3-5 also explains how to use the frequency counter and phase lock controls.

3-9. OPERATOR'S MAINTENANCE

3-10. Fuse. The main ac line fuse is located on the rear panel next to the line power cable jack. To remove the fuse, first remove the line power cable from its jack. Slide the fuse compartment cover to the left, then pull the handle marked FUSE PULL and remove the fuse.

CAUTION

Be sure to select the correct fuse rating for the selected line voltage (see LINE VOLTAGE SELECTION in Section II); fuse ratings are listed on the fuse compartment.

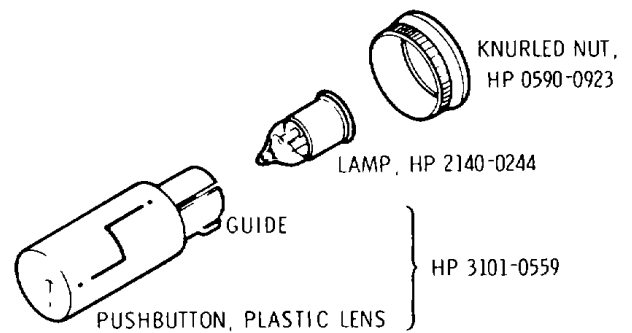
3-11. Fan. The cooling fan's filter is located on the rear panel. To service the filter use a No. 2 Pozidriv screwdriver (HP 8710-0900) to remove the four screws that hold the filter to the rear panel. Then clean it, using

a solution of warm water and soap, or replace it, using the part number listed in the table of replaceable parts in Section VI.

3-12. The fan motor has factory lubricated, sealed bearings and requires no periodic maintenance.

3-13. Lamp Replacement. Figure 3-1 explains how to replace the lamp located in the line power switch.

3-14. Meter Zeroing. To mechanically zero the front panel meter, set LINE switch to OFF and place instrument in its normal operating position. Turn adjustment screw cw until indicator indicates zero, then turn adjustment slightly ccw to free mechanism from adjusting peg.

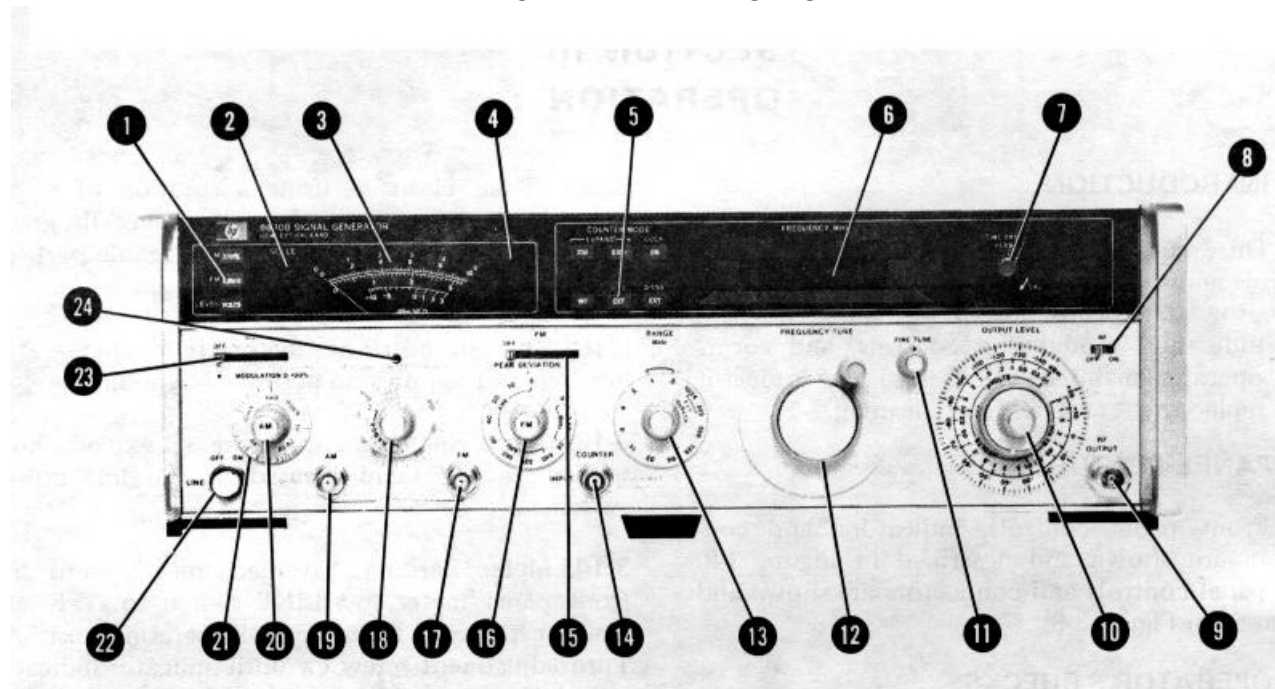


POWER LAMP REPLACEMENT

1. Remove lens by pulling straight out.
2. Replace lamp.
3. To replace lens, align guide with notch in receptacle. Push straight in.

Figure 3-1. Lamp Replacement.

FRONT PANEL FEATURES



1 Meter Function: interlocked buttons select one of three functions.

AM: meter indicates percent of amplitude modulation.

FM: meter indicates peak frequency deviation.

LEVEL: meter indicates RF output level in Vrms or dBm 50Ω.

2 SCALE: annunciator lamps light to indicate applicable meter scale. Meter scale is automatically selected.

3 Meter: automatically ranges to one of three scales, read according to meter function.

AM X 10 %: 0-3 scale is read 0-30%; 0-10 scale is read 0-100%.

FM kHz/MHz: 0-3, 0-5, and 0-10 scales are read in kHz or MHz, depending upon setting of PEAK DEVIATION switch (e.g., with PEAK

DEVIATION set to 80 kHz, a meter reading of 7.2 indicates that deviation is 72 kHz).

LEVEL VOLTS: 0-3 and 0-10 scales are read in microvolts, millivolts, or volts depending upon setting of OUTPUT LEVEL controls (e.g., with OUTPUT LEVEL set to approximately 20 mVOLTS, a meter reading of 2.4 indicates that actual level is 24 mVrms). The -10 to +3 dB scale is read relative to the OUTPUT LEVEL switch dBm scale.

4 Output Problem Annunciators: lamps light to indicate that modulation or OUTPUT LEVEL settings are causing generator to be uncalibrated.

REDUCE PEAK POWER: indicates a combination of OUTPUT LEVEL setting and amplitude modulation that exceeds +19 dBm power output.

REDUCE FM VERNIER: indicates that an external FM input level or vernier setting is causing FM deviation to exceed limits.

Figure 3-2. Front Panel Controls, Indicators, and Connectors (1 of 4).

FRONT PANEL FEATURES

REDUCE PEAK DEVIATION: indicates PEAK DEVIATION setting is too high for the selected frequency range.

- 5 COUNTER MODE:** Buttons control operation of frequency counter.

EXPAND: X10 expands resolution one digit, moving the decimal point one place to the left; X100 expands resolution two digits, moving the decimal point two places to the left.

NOTE

EXPAND X10 and EXPAND X100 buttons are interlocked so that only one button can be depressed at a time.

LOCK: phase locks Signal Generator to the internal (or to an external) crystal reference. Display indicates lock frequency; loss of lock causes display to flash and indicate actual frequency of Signal Generator.

INT: programs counter to count frequency of Signal Generator.

EXT 0-10, EXT 0-550: programs counter to count frequency of signal at COUNTER IN. PUT jack; also selects counter frequency range in MHz.

- 6 FREQUENCY MHz:** counter readout indicates RF frequency in MHz. Flashing display indicates loss of phase lock. The OVERFLOW lamp lights to indicate that significant data is not being displayed.

- 7 TIME BASE VERNIER:** used as a fine frequency tune when in lock mode to give continuous tuning between lock points (the use of the COUNTER MODE EXPAND X10 control is necessary on some ranges to tune over the full range). When control is not in CAL position, the UNCAL lamp lights to indicate that the counter is uncalibrated.

- 8 RF ON/OFF:** enables or disables the RF output.

- 9 RF OUTPUT:** RF output through Type N female connector. (Connector meets US MIL C-39012 50 ohm ac coupled source impedance CAUTION Any interruption of the protective (grounding) conductor inside or outside the instrument is likely to cause damage to the instrument. To avoid damage, this instrument and all line powered devices connected to it must be connected to the same earth ground (see Section II).

- 10 OUTPUT LEVEL:** the switch controls a 10 dB step attenuator that sets the output level range. Calibrated concentric vernier sets actual output level within an 18 dB range (the meter gives additional resolution).

NOTE

For optimum operation, use the vernier in the top 10 dB of its range.

- 11 FINE TUNE:** fine frequency control.

- 12 FREQUENCY TUNE:** coarse frequency control.

- 13 RANGE:** selects one of ten octave frequency bands. The 512-1024 MHz/Doubler position gives 256-512 MHz at RF OUTPUT, but the FREQUENCY MHz readings and FM meter indications are corrected for use with an RF doubler connected to RF OUTPUT.

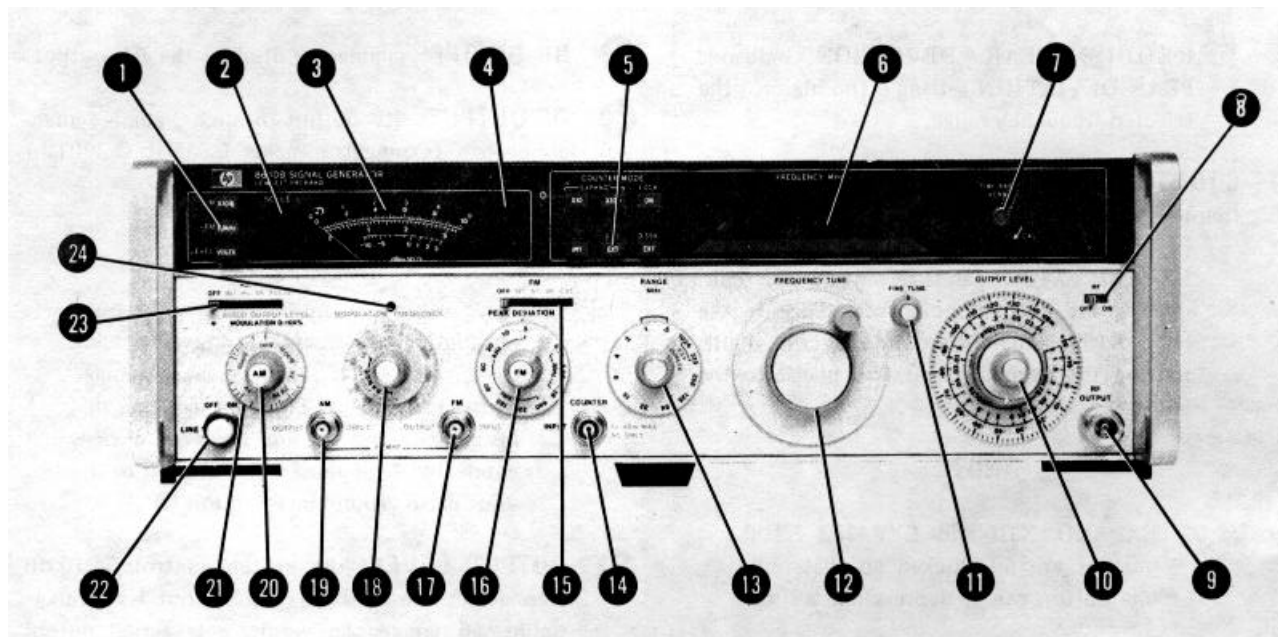
- 14 COUNTER INPUT:** external input to frequency counter; impedance is 50 ohms.

CAUTION

Do not apply a dc voltage or >+15 dBm to COUNTER INPUT.

Figure 3-2. Front Panel Controls, Indicators, and Connectors (2 of 4)

FRONT PANEL FEATURES



15 FM: selects frequency modulation and source.

OFF: no FM.

INT: FM by internal oscillator.

AC: FM by external source through FM INPUT jack (>20 Hz, ac + dc <5 Vpk).

DC: FM by external source through FM INPUT jack (ac + dc <5 Vpk).

CAL: used to calibrate external modulation input (do not use when phase locked).

16 PEAK DEVIATION: switch and concentric vernier vary FM frequency deviation (as indicated on the meter). Vernier range is from zero to the peak deviation selected by the switch.

17 FM INPUT/OUTPUT: 600 ohm input for external FM; nominally 1 Vpk (0.7071 Vrms) required for full peak deviation selected by PEAK DEVIATION switch (never more than 5 Vpk). Output for internal oscillator whenever FM selector is set to

INT (600 ohm source impedance); level controlled by AUDIO OUTPUT LEVEL.

18 MODULATION FREQUENCY: switch selects 400 Hz or 1000 Hz. With Option 001 Variable Modulation Oscillator (shown), switch also selects multiplier. Vernier, with multiplier, sets frequency from 20 Hz to 600 kHz.

19 AM INPUT/OUTPUT: 600 ohm input for external AM; 1 Vpk (0.7071 Vrms) required for 100% modulation (never more than 5 Vpk). Input for pulse modulation (50 ohm): >1 Vpk positive pulse required to turn on RF. Output for internal oscillator whenever AM selector is set to INT (600 ohm source impedance); level controlled by AUDIO OUTPUT LEVEL.

NOTE

With the Option 001 Variable Modulation Oscillator, AM OUTPUT and FM OUTPUT are in parallel. Parallel load should be >600 ohms.

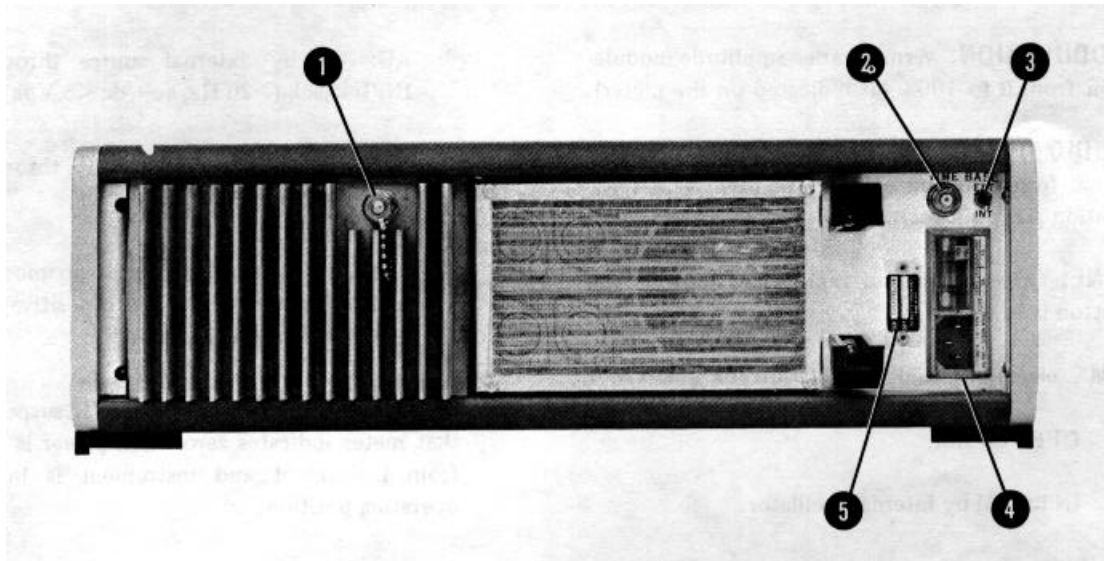
Figure 3-2. Front Panel Controls, Indicators, and Connectors (3 of 4)

FRONT PANEL FEATURES

- 20 MODULATION:** vernier varies amplitude modulation from 0 to 100% (as indicated on the meter).
- 21 AUDIO OUTPUT LEVEL:** control varies level of signal from AM and/or FM OUTPUT jacks (calibration gives voltage into 600Ω).
- 22 LINE:** switch applies or removes AC power. The button is lit when ON.
- 23 AM:** selects amplitude modulation and source.
- OFF: no AM.
- INT: AM by internal oscillator.
- AC: AM by external source through AM INPUT jack (>20 Hz, ac + dc <5 Vpk).
- DC: AM by external source through AM INPUT jack (ac + dc <5 Vpk).
- PULSE: when selected with no modulation, it disables the RF output; a positive pulse at AM INPUT pulses on the RF.
- 24 Mechanical Meter Zero:** sets meter suspension so that meter indicates zero when power is removed from instrument and instrument is in normal operating position.

Figure 3-2. Front Panel Controls, Indicators, and Connectors (4 of 4)

REAR PANEL FEATURES



- 1 **AUX RF OUT:** nominal -5 dBm auxiliary RF output; 500 ohm source impedance. Signal does not contain amplitude or pulse modulation (however, it does contain FM). On the 512-1024 MHz/Doubler Band the auxiliary RF output is one-half the frequency of the indicated RF frequency.
- 2 **TIME BASE Reference In/Out:** input for external, 5 MHz time base reference that is >100 mVrms; load impedance is 1 k Ω . Output for internal, 5 MHz time base reference, level is 3 Vrms into an open circuit; source impedance is 500 ohms.
- 3 **TIME BASE Reference INT/EXT:** switch selects function of IN/OUT jack. INT position applies internal reference to jack. EXT position feeds external reference from jack to time base.
- 4 **Line Power Module:** permits operation from 100, 120, 220 or 240 Vac. The number visible in window indicates nominal line voltage to which instrument must be connected (see Figure 2-1). Center conductor is safety earth ground.
- 5 **Serial Number Plate:** first four digits of serial number comprise the prefix; last five digits form sequential suffix that is unique to each instrument. The plate also indicates any options supplied with instruments.

WARNING

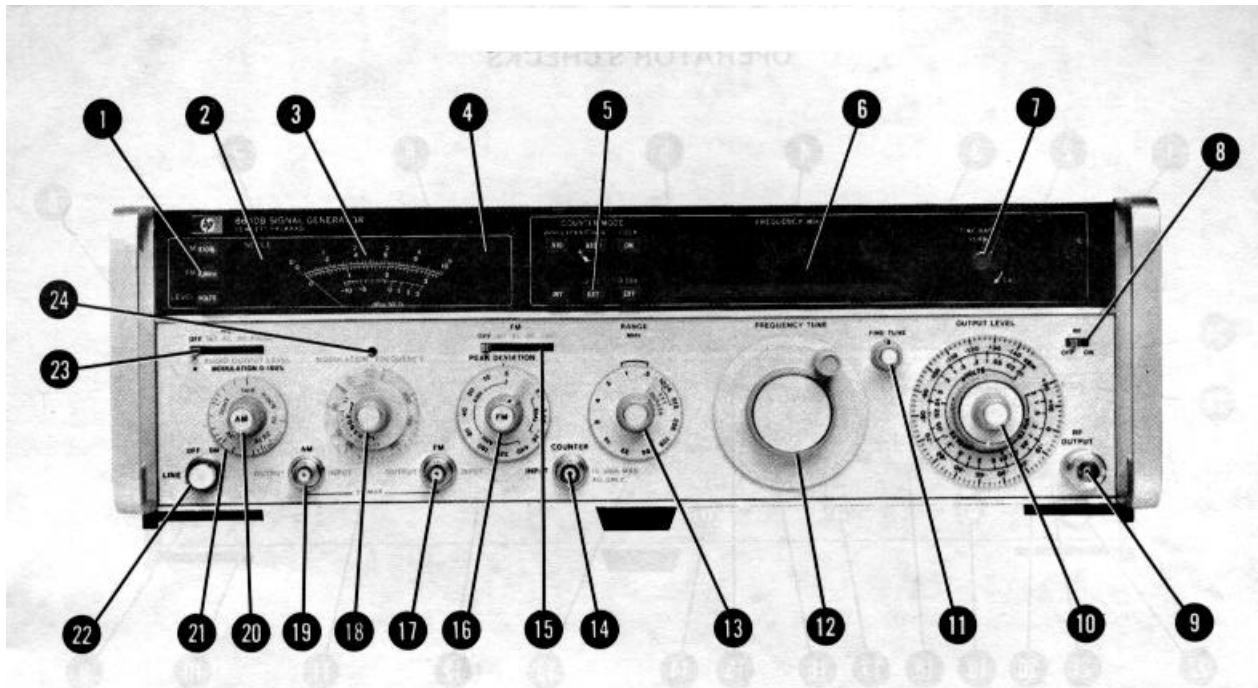
Any interruption of the protective (grounding) conductor inside or outside the instrument or disconnection of the protective earth terminal is likely to make the instrument dangerous. Intentional interruption is prohibited. (See Section II).

NOTE

Since the phase lock reference is the 5 MHz time base, the Model 8640B can be phase locked to an external reference (such as another Model 8640B) by using the TIME BASE Reference jack and switch.

Figure 3-3. Rear Panel Controls and Connectors

OPERATOR'S CHECKS



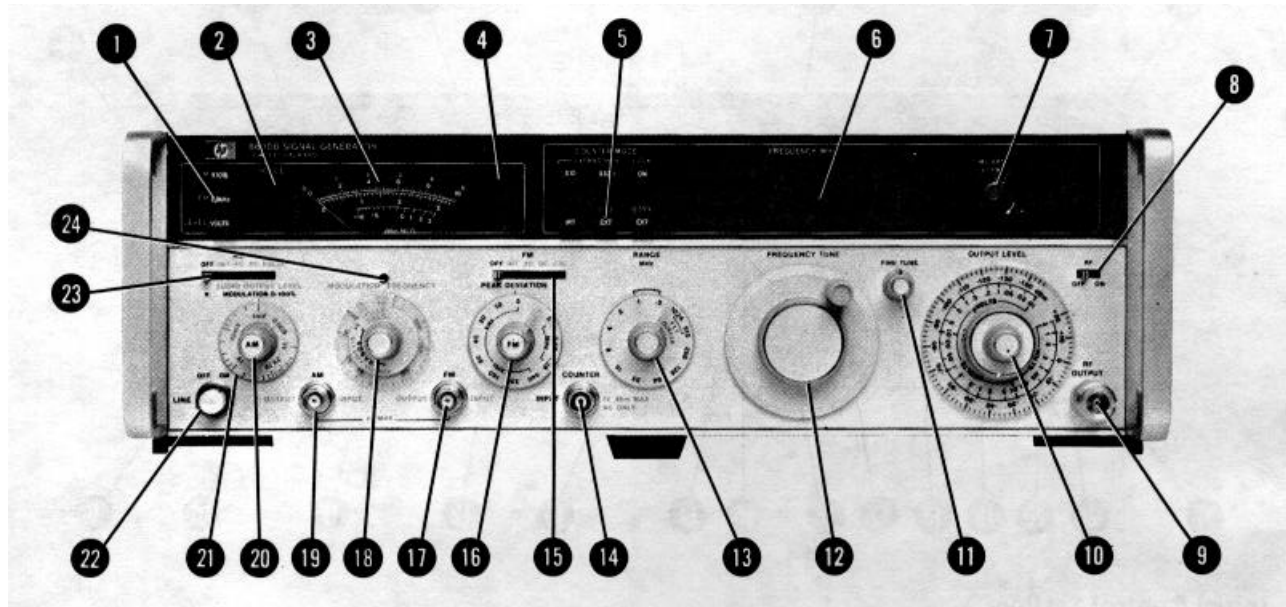
Initial Control Settings

- a. Push LINE switch (22) to ON. Set TIME BASE INT/EXT switch (on rear panel) to INT.
- b. Set the controls as follows:

1	Meter Function	LEVEL
5	COUNTER MODE: EXPAND	Off (Out)
	LOCK.....	Off (Out)
	SOURCE	INT (In)
7	TIME BASE VERNIER	CAL
23	AM	OFF
21	AUDIO OUTPUT LEVEL	ccw
20	MODULATION	ccw
18	MODULATION FREQUENCY	400 Hz
15	FM	OFF
16	PEAK DEVIATION	5 kHz
16	PEAK DEVIATION Vernier	ccw
13	RANGE	0.5-1 MHz
12	FREQUENCY TUNE	Centered (Four turns from stop)
11	FINE TUNE	Centered
10	OUTPUT LEVEL	100 mVOLTS
8	RF ON/OFF	ON

Figure 3-4. Operator's Checks (1 of 5)

OPERATOR'S CHECKS



Counter and RF Oscillator

- c. Use a Type N to BNC adapter and a BNC to BNC cable to connect RF OUTPUT 9 to COUNTER INPUT 14
- d. Adjust FREQUENCY TUNE 12 and FINE TUNE 11 until FREQUENCY 6 reads 0.75000 MHz. Set COUNTER MODE EXPAND 5 to X10; FREQUENCY should read about .750000 MHz (the reading should shift one place to the left). Set COUNTER MODE EXPAND to X100; FREQUENCY should read about 500000 MHz (the reading should shift one additional place to the left with the decimal point and the seven no longer displayed; the OVERFLOW annunciator lamp should light).
- e. Set COUNTER MODE EXPAND 5 to OFF (buttons out). With RANGE 13 set as follows, FREQUENCY 6 should read approximately as shown:

Figure 3-4. Operator's Checks (2 of 5)

OPERATOR'S CHECKS

RANGE MHz	FREQUENCY MHz
0.5-1	0.75000
1-2	01.5000
2-4	03.0000
4-8	06.0000
8-16	12.0000
16-32	024.000
32-64	048.000
64-128	096.000
128-256	0192.00
256-512	0384.00
512-1024	0768.00

Phase Lock

- f. Set RANGE **13** to 256-512 MHz. Note that the right-hand digit on the FREQUENCY display **6** flickers between two digits. Set COUNTER MODE LOCK **5** to ON; the flickering should stop. Slowly adjust FINE TUNE; the FREQUENCY reading should not change. Adjust FREQUENCY TUNE **12**; the FREQUENCY display should flash at about a 2 Hz rate and the reading should change (the reading should follow FREQUENCY TUNE).

RF Output

- g. Set COUNTER MODE LOCK **5** to OFF and Source **5** to EXT 0-550. Adjust FREQUENCY TUNE **12** until FREQUENCY **6** reads 0384.00 MHz. Step through the ranges as specified in step e, setting the COUNTER MODE EXPAND and Source (EXT) controls **5** to obtain appropriate resolution; FREQUENCY should read approximately as shown in step e.

NOTE

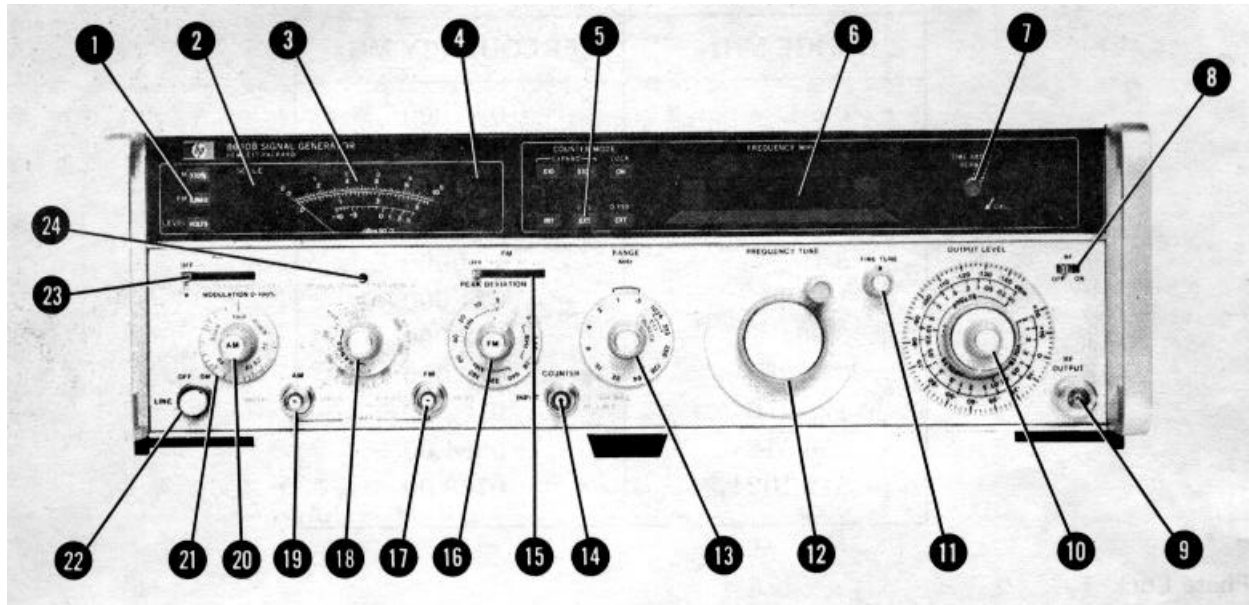
With RANGE set to 512-1024 MHz, FREQUENCY will read approximately 0384.00 MHz (the actual frequency at RF OUTPUT).

Meter

- h. Set OUTPUT LEVEL **10** to 500 mVOLTS; the meter **3** should indicate 5 on the 0-10 SCALE (the 0-10 SCALE annunciator **2** should be lit).

Figure 3-4. Operator's Checks (3 of 5)

OPERATOR'S CHECKS



- i. Slowly reduce OUTPUT LEVEL 10 to 200 mVOLTS; the meter 3 should autorange to the 0-3 SCALE when the indicator passes approximately 3 on the 0-10 SCALE.
- j. With OUTPUT LEVEL 1 set to 200 mVOLTS, the meter 3 should indicate 2 on the 0-3 SCALE. Slowly increase OUTPUT LEVEL to 500 mVOLTS; the meter should autorange to the 0-10 SCALE when the indicator passes approximately 3 on the 0-3 SCALE.

Amplitude Modulation

- k. Set Meter Function 1 to AM and AM 23 to INT. Slowly turn Modulation 20 clockwise. When the meter indicates 10 (i.e., 100% modulation) set OUTPUT LEVEL 10 to +16 dBm; the REDUCE PEAK POWER annunciator 4 should light.

Frequency Modulation

1. Set AM 23 to OFF (the annunciator should go out) and FM 15 to INT. Set Meter Function 1 to FM and check that PEAK DEVIATION 16 is set to 5 kHz and the vernier is full counterclockwise; the meter 3 should indicate 0.

Figure 3-4. Operator's Checks (4 of 5)

OPERATOR'S CHECKS

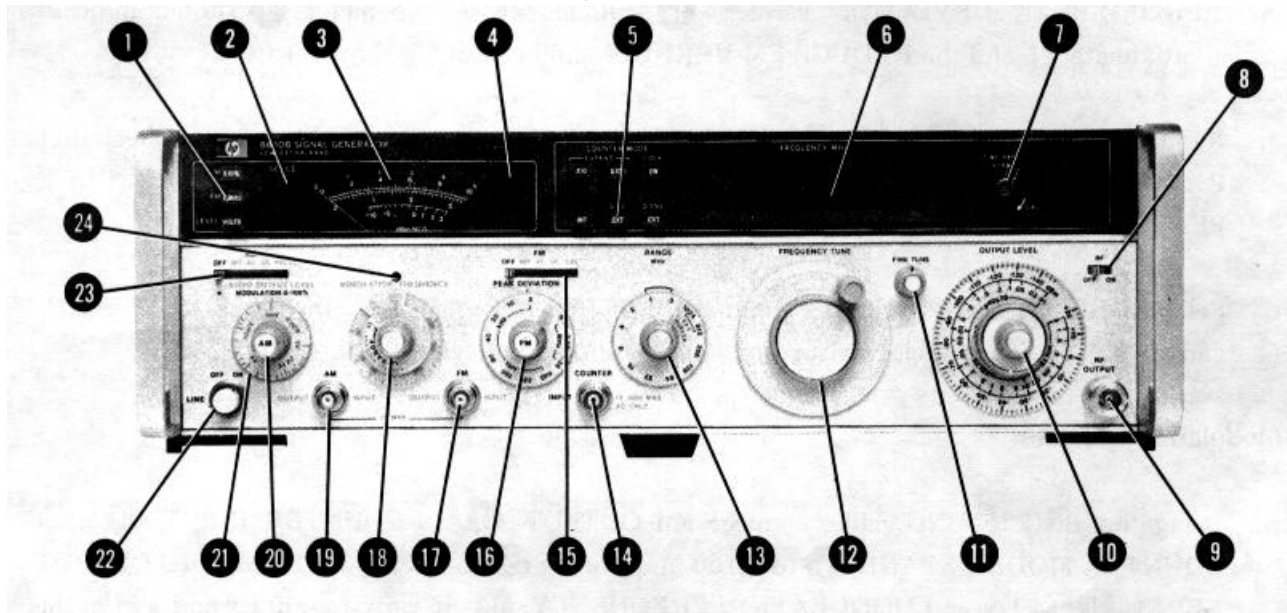
- m. Turn the PEAK DEVIATION vernier **(16)** full clockwise; the meter **(3)** should indicate approximately 5 and the REDUCE FM VERNIER annunciator **(4)** should light.
- n. Reduce FM vernier **(16)** until meter reads 5 kHz (the annunciator should go out). Check that RANGE **(13)** is set to 0.5-1 MHz, and set PEAK DEVIATION **(16)** to 10 kHz; the REDUCE PEAK DEVIATION annunciator **(4)** should light and the meter should indicate 0.
- o. Set RANGE **(13)** to 1-2 MHz (the annunciator should go out) and turn the PEAK DEVIATION vernier **(16)** full counterclockwise; the meter **(3)** should indicate 0 on the 0-10 SCALE.

Modulation Oscillator

- p. Using the BNC to BNC cable, connect FM OUTPUT **(17)** to COUNTER INPUT **(14)**. Set COUNTER MODE EXPAND **(5)** to X100 and Source **(5)** to EXT 0-10. Set AUDIO OUTPUT LEVEL **(21)** to 1 V and MODULATION FREQUENCY **(18)**, in turn, to 400 Hz and 1 kHz; the FREQUENCY readout **(6)** should display approximately ".000400" and ".001000" MHz.

Figure 3-4. Operator's Checks (5 of 5)

SETTING FREQUENCY AND AMPLITUDE



Frequency

- a. Set COUNTER MODE (5) to INT and TIME BASE VERNIER (7) to CAL.
- b. Set RANGE (13) to span the desired frequency.
- c. Use FREQUENCY TUNE (12) and FINE TUNE (11) to set the Signal Generator to the desired frequency.
- d. Normally, the decimal point on the FREQUENCY display (6) is automatically set by the RANGE control (13). For more resolution, set COUNTER MODE EXPAND (5) to X10 or X100.
- e. To phase lock the generator's output, set COUNTER MODE LOCK (5) to ON; use TIME BASE VERNIER (7) as the fine frequency tune. On some frequency bands it will be necessary to use the COUNTER MODE EXPAND controls to tune between adjacent counts.

Figure 3-5. Setting the Frequency and Amplitude Controls (1 of 3)

SETTING FREQUENCY AND AMPLITUDE**NOTE**

If the **OVERFLOW** annunciator lamp is lit, the generator will not enter phase lock. If the **TIME BASE VERN** is not in the **CAL** position, the counter will not be calibrated.

- f. Whenever phase lock is lost, the **FREQUENCY** display (6) will flash. To re-establish phase lock, set **COUNTER MODE LOCK (5)** to OFF; re-tune (if necessary) with **FREQUENCY TUNE (12)** and **FINE TUNE (11)**, and set **COUNTER MODE LOCK** to ON.

NOTE

To get an accurate indication of frequency when not phase locked, set **TIME BASE VERNIER (7)** to **CAL**.

- g. To use an external frequency doubler, connect to **RF OUTPUT (9)** and set **RANGE (13)** to 512-1024 MHz/DOUBLER. The **FREQUENCY** display (5) will indicate the frequency out of doubler (i.e., the **FREQUENCY** display indicates twice the frequency at RF Output).

Amplitude

- a. Use the **OUTPUT LEVEL** switch and **vernier (11)** to set the desired signal level (there are two scales, rms volts and dBm). For optimum operation, use the vernier in the top 10 dB of its range. To enable the RF signal, set the **RF ON/OFF** switch (8) to ON.

NOTE

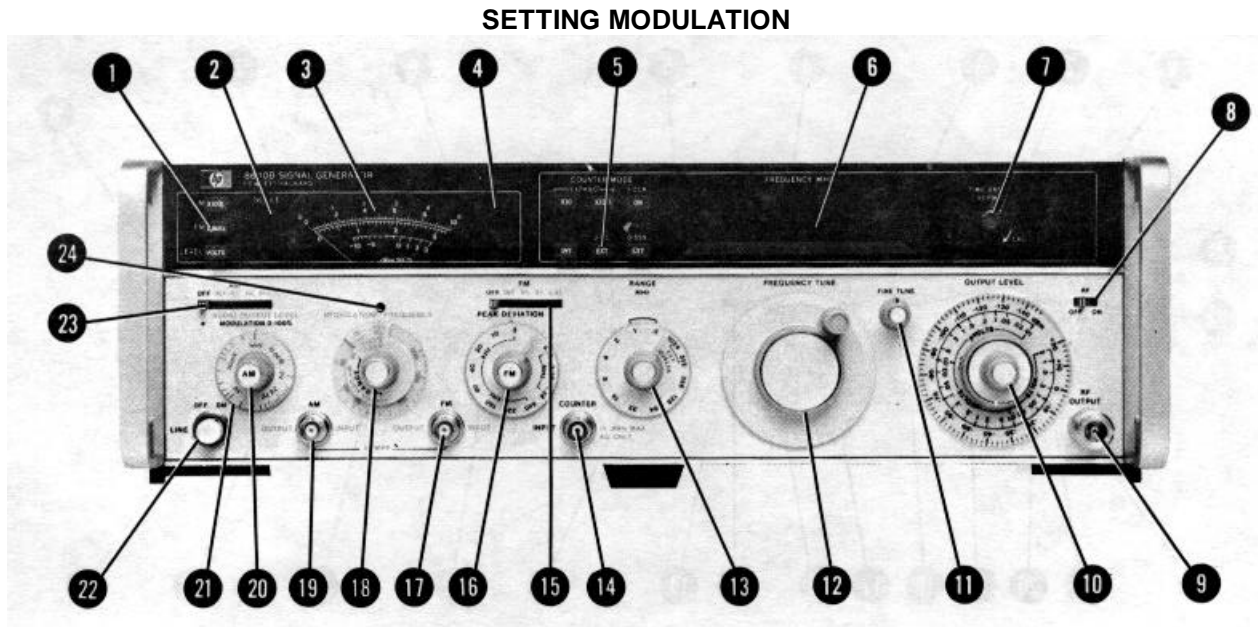
The **RF ON/OFF** switch may be wired to turn off only the amplitude modulator. This allows the **RF Oscillator** to remain warmed up, the **Auxiliary RF Output** to remain on, and the counter and phase lock to remain operating. If it is desirable to switch both the modulator and the oscillator off, the **RF ON/OFF** function may be easily modified (see **Service Sheet 5** in **Section VIII**).

Figure 3-5. Setting the Frequency and Amplitude Controls (2 of 3)

SETTING FREQUENCY AND AMPLITUDE

- b. For better voltage and dBm resolution, set Meter Function **(1)** to LEVEL. The meter **(3)** is read in conjunction with the OUTPUT LEVEL controls **(10)** (e.g., with OUTPUT LEVEL set to approximately 20 mVOLTS, a meter reading of 2.1 indicates that the actual level is 21 mVrms).
- c. If a 50 ohm to 75 ohm adapter (consisting of a 25 ohm series resistor) is connected to RF OUTPUT **(9)**, the OUTPUT LEVEL **(10)** voltage scale will be correct if the instrument is used with 75 ohm terminations. However, 1.76 dB must be subtracted from the dB scale for correct readings.

Figure 3-5. Setting the Frequency and Amplitude Controls (3 of 3)



Amplitude Modulation

- a. Set Meter Function (1) to AM.
- b. To use the internal modulation oscillator, set AM (23) to INT. Set MODULATION FREQUENCY (18) to the desired frequency, and set percent of modulation with the MODULATION vernier (20); modulation is indicated by the meter (3) (e.g., a meter reading of 5.4 indicates that the AM is 54%).

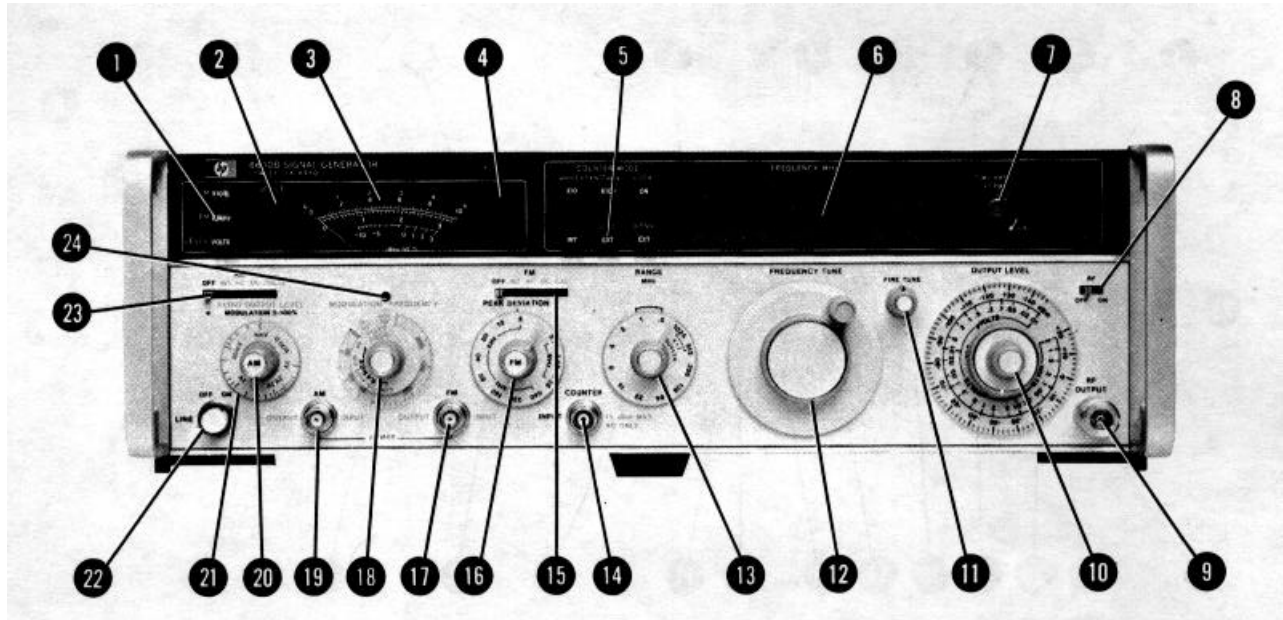
NOTE

The **REDUCE PEAK POWER** annunciator (4) lights whenever the Signal Generator's output amplifier is being overdriven. When it lights, reduce MODULATION vernier or OUTPUT LEVEL vernier.

- c. With AM (23) set to INT, the internal modulation oscillator signal is present at the AM OUTPUT jack (19) (600 ohm source impedance). Its level is set by AUDIO OUTPUT LEVEL (21)

Figure 3-6. Setting the Modulation Controls (1 of 4)

SETTING MODULATION



- d. To use an external modulation signal, set AM (23) to AC (or DC if modulation signal is less than 20 Hz). Apply the signal to the AM INPUT jack (19) (600 ohm load impedance). The Signal Generator requires 1 Vpk (0.7071 Vrms) for 100% modulation. Set percent of modulation with the MODULATION vernier (20) ; % AM is indicated by the meter (3).

NOTE

The meter reading is accurate when AM is set to DC only if no dc offset is applied to the AM INPUT jack. The meter responds to the positive peak of the ac component of the modulating signal.

Pulse Modulation

- a. Set Meter Function (1) to LEVEL.
- b. Set AM (23) to PULSE (this disables the RF output). Apply the modulation pulse (>0.5V) to the AM INPUT jack (19) (50 ohm load impedance). The Signal Generator requires a positive level to produce an RF output.
- c. Set the desired pulse-on level using the OUTPUT LEVEL controls (10).

Figure 3-6. Setting the Modulation Controls (2 of 4)

SETTING MODULATION**Frequency Modulation**

- a. Set Meter Function **(1)** to FM.
- b. To use the internal modulation oscillator, set FM **(15)** to INT. Set MODULATION FREQUENCY **(18)** to the desired frequency, and set the peak deviation with the PEAK DEVIATION switch and vernier **(16)**.

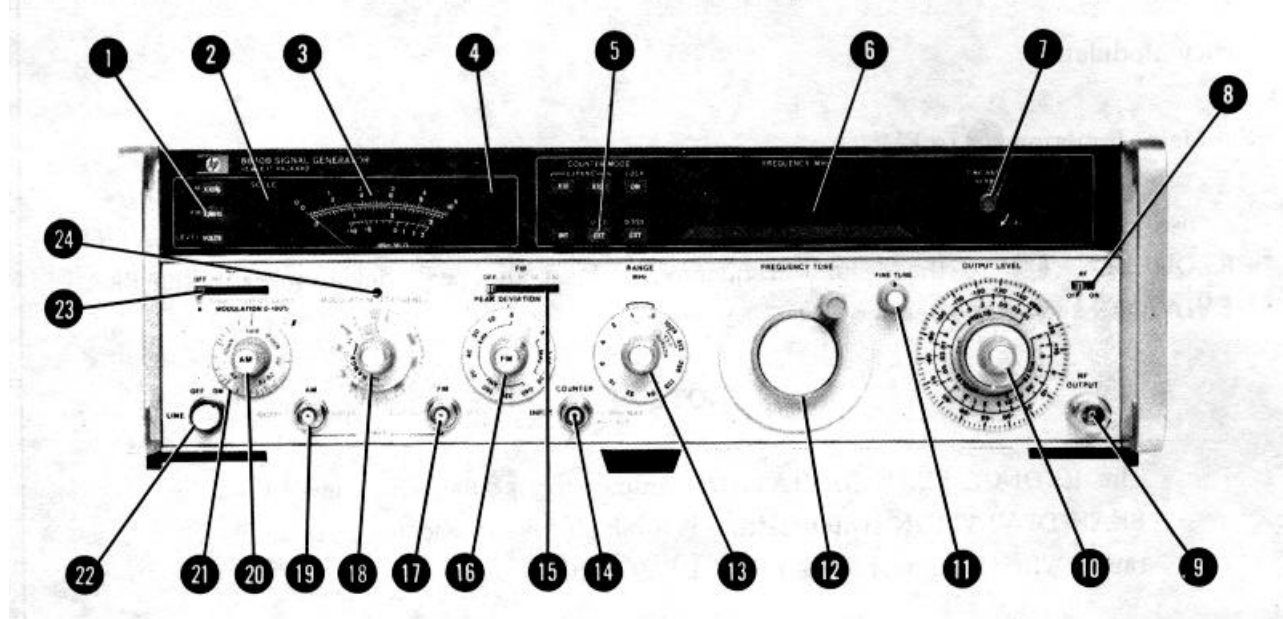
NOTE

The REDUCE PEAK DEVIATION annunciator (4) lights whenever the PEAK DEVIATION switch setting is too high for the selected frequency range. When it lights, reduce PEAK DEVIATION.

- c. Peak frequency deviation is indicated by the meter **(3)**, and the meter is read in conjunction with the PEAK DEVIATION switch **(16)** (e.g., with PEAK DEVIATION set to 320 kHz, a meter reading of 2.8 indicates that peak frequency deviation is 280 kHz).
- d. With FM **(15)** set to INT, the internal modulation oscillator signal is present at the FM OUTPUT jack **(17)** (600 ohm source impedance). Its level is set by AUDIO OUTPUT LEVEL (21).
- e. To use an external modulation signal, set FM **(15)** to AC (or DC if modulation signal is less than 20 Hz). Apply the signal to the FM INPUT jack **(17)** (600 ohm load impedance). The Signal Generator requires 1 Vpk (0.7071 Vrms) for full peak deviation. The PEAK DEVIATION controls **(16)** and the meter **(3)** are used the same as when using the internal modulation oscillator signal.
- f. To calibrate the external input, set the FM switch (15) to DC (with no signal applied to FM input) and read the frequency of the RF Output. Set FM to CAL and, using the PEAK DEVIATION switch and vernier **(16)**, offset the frequency at RF OUTPUT an amount equal to the desired peak deviation. Set FM to DC or AC; a 1 Vpk (0.7071 Vrms) signal applied to FM INPUT will now produce the desired peak deviation. (Do not use FM CAL when phase locked.)

Figure 3-6. Setting the Modulation Controls (3 of 4)

SETTING MODULATION



NOTES

1. The **REDUCE FM VERNIER** annunciator (4) lights whenever an FM input causes peak deviation to exceed its limits. When it lights, reduce either the **PEAK DEVIATION** vernier or the external signal level.
2. Do not apply FM signals that are less than 50 Hz when using the generator in the phase lock mode. Doing so will cause either the FM deviation to be uncalibrated or the generator to break phase lock (thereby causing the counter display to flash). Also do not use FM CAL after locking.

Simultaneous AM and FM

- a. Simultaneous AM and FM, or pulse modulation and FM, can be accomplished using the procedures described above. The internal modulation oscillator can be used for either one or both, AM and FM.

NOTE

On Signal Generators with the Option 001 Variable Modulation Oscillator, don't load both **AM OUTPUT** (19) and **FM OUTPUT** (17) when the oscillator is providing both modulating signals. The outputs are in parallel and the parallel load should be greater than 600 ohms.

Figure 3-6. Setting the Modulation Controls (4 of 4)

**SECTION IV
PERFORMANCE TESTS**

4-1. INTRODUCTION

4-2. The procedures in this section test the instrument's electrical performance using the specifications of Table 1-1 as the performance standards. A simpler operational test is included in Section III under Operator's Checks.

4-3. EQUIPMENT REQUIRED

4-4. Equipment required for the performance tests is listed in the Recommended Test Equipment table in Section I. Any equipment that satisfies the critical specifications given in the table may be substituted for the recommended model(s).

4-5. TEST RECORD

4-6. Results of the performance tests may be tabulated on the Test Record at the end of the procedures. The Test Record lists all of the tested specifications and their acceptable limits. Test results recorded at incoming inspection can be used for comparison in periodic maintenance and troubleshooting and after repairs or adjustments.

4-7. TEST PROCEDURES

4-8. It is assumed that the person performing the following tests understands how to operate the specified test equipment. Equipment settings, other than those

for the Model 8640B, are stated in general terms. For example, a test might require that a spectrum analyzer's resolution bandwidth be set to 100 Hz; however, the time per division setting would not be specified and the operator would set that control so that the analyzer operates correctly.

4-9. It is also assumed that the person performing the tests will supply whatever cables, connectors, and adapters are necessary. The Test Accessories table in Section I lists the requirements for some of these items.

4-10. Unless otherwise specified, set the following controls as shown:

TIME BASE INT/EXT (on rear panel)INT
TIME BASE VERNIERCAL

Use FINE TUNE in conjunction with FREQUENCY TUNE to set whatever frequency is required. Use the COUNTER MODE EXPAND controls whenever necessary to obtain required counter resolution.

CAUTION

To avoid the possibility of damage to test equipment, read completely through each test before starting it. Make any preliminary control settings necessary for correct test equipment operation.

NOTE

Table 4-2 contains a list of recommended abridgments to the performance tests. The abridgments suggest rapid and relatively inexpensive ways to test the instrument while retaining those tests which are considered of prime importance in characterizing the generator. Where alteration of a test is recommended, a justification (remark) is also given. Should individual needs make the justification invalid, the test should be performed in its entirety. (E.g., the Incidental AM Test, sometimes known as AM on FM, has been omitted as being of secondary importance. Should your application require characterization of this specification, the test should be performed.)

PERFORMANCE TESTS

4-11. FREQUENCY RANGE TEST

SPECIFICATION:

Range: 500 kHz to 512 MHz in 10 octave bands.

Bands and Band Overlap: Bands extend 10% below and 7% above the nominal limits shown below.

Nominal Frequency Bands (MHz)	0.5-1	1-2	2-4	4-8	8-16	16-32	32-64	64-128	128-256	256-512	External Doubler Band 512-1024
Frequency Range (MHz) (with overlap)	0.45 to 1.07	0.9 to 2.1	1.8 to 4.2	3.6 to 8.5	7.2 to 17.1	14.4 to 34.3	28.8 to 68.7	57.5 to 137.5	115 to 275	230 to 550	230 to 550 (without External Doubler)

DESCRIPTION:

The frequency range is verified by using a frequency counter to measure the frequency at the high and low end of each band.

EQUIPMENT:

Frequency Counter HP 5327C

PROCEDURE:

1. Connect generator's auxiliary RF output jack (located on rear panel) to frequency counter's 50 ohm input after setting Signal Generator's controls as follows:

COUNTER MODE: EXPAND Off
 LOCK..... Off
 Source INT
 AM..... OFF
 FM..... OFF
 RANGE 256-512 MHz
 FREQUENCY TUNE Full clockwise
 FINE TUNE Centered
 RF ON/OFF ON

2. Set FREQUENCY TUNE full clockwise. The frequency counter should read 550 MHz or greater.

550.0 MHz _____

PERFORMANCE TESTS

4-11. FREQUENCY RANGE TEST (Cont'd)

3. Set FREQUENCY TUNE full counterclockwise. The frequency counter should read 230 MHz or less.

_____ 230.0 MHz

4. Set RANGE as shown below and check frequency at high and low ends of each band.

Range (MHz)	Low End	High End
512-1024*	<230.0 MHz	>550.0 MHz _____
128-256	<115.0 MHz	>275.0 MHz _____
64-128	<57.50 MHz	>137.5 MHz _____
32-64	<28.80 MHz	>68.70 MHz _____
16-32	<14.40 MHz	>34.30 MHz _____
8-16	<7.200 MHz	>17.10 MHz _____
4-8	<3.600 MHz	>8.500 MHz _____
2-4	<1.800 MHz	>4.200 MHz _____
1-2	<0.900 MHz	>2.100 MHz _____
0.5-1	<0.450 MHz	>1.070 MHz _____

*No external doubler should be connected.

4-12. FREQUENCY ACCURACY AND FINE TUNE TEST

SPECIFICATION:

Accuracy:

$$\left[\begin{array}{c} \text{Total} \\ \text{Count} \\ \text{Accuracy} \end{array} \right] = \left[\begin{array}{c} \text{Counter} \\ \text{Resolution} \\ (\pm 1 \text{ count}) \end{array} \right] + \left[\begin{array}{c} \text{Reference} \\ \text{Error} \\ (\text{INT or EXT}) \end{array} \right]$$

Internal Reference Error: <+2 ppm (when calibrated at 25°C every 3 months and operated between 15°C and 35°C).

When phase locked, Counter Resolution error is eliminated.

Fine Tuning: Unlocked, >200 ppm total range. Locked mode, >±20 ppm by varying internal time base vernier.

PERFORMANCE TESTS

4-12. FREQUENCY ACCURACY AND FINE TUNE TEST (Cont'd)

DESCRIPTION:

Frequency accuracy is checked (using the Signal Generator's internal reference) by comparing the generator's counter indication to the frequency reading on an external frequency counter. The fine tune range is also checked with the external counter.

EQUIPMENT:

Frequency CounterHP 5327C OPT H49

PROCEDURE:

- 1. Connect generator's auxiliary RF output jack (located on rear panel) to frequency counter's input after setting Signal Generator's controls as follows:

COUNTER MODE: EXPAND X100
LOCK Off
Source INT
AM OFF
FM OFF
RANGE 32-64 MHz
FREQUENCY TUNE 50 MHz
RF ON/OFF ON

- 2. Allow Signal Generator and frequency counter to stabilize for two hours.
3. Set frequency counter time base to give at least one more digit resolution than the generator's counter. The difference in reading between the two counters should be <110 Hz (2 ppm + last digit uncertainty of 10 Hz).

_____ 110 Hz

- 4. Set COUNTER MODE EXPAND to X10 and LOCK to ON. Allow one minute to acquire phase lock. Increase the frequency counter resolution by 10. The difference in counter readings should be <100 Hz (2 ppm).

_____ 100 Hz

- 5. Note frequency counter reading. Turn TIME BASE VERN control ccw until it just leaves the detent position. The frequency counter should now read >1 kHz (>20 ppm) higher than the reading noted above.

1 kHz _____

- 6. Turn TIME BASE VERN fully ccw. The frequency counter should now read >1 kHz (>20 ppm) lower than the reading first noted in step 5.

1 kHz _____

PERFORMANCE TESTS

4-12. FREQUENCY ACCURACY AND FINE TUNE TEST (Cont'd)

- 7. Set TIME BASE VERN to CAL (fully cw). Set COUNTER MODE LOCK to Off.
- 8. Set FINE TUNE fully cw. Note frequency counter reading, then set FINE TUNE fully ccw. The frequency counter should read >10 kHz (200 ppm) lower than the reading noted above.

10 kHz _____

4-13. FREQUENCY STABILITY VS TIME AND RESTABILIZATION TIME TEST

SPECIFICATION:

Stability vs Time (after 2 hour warmup): <10 ppm/10 min. (normal mode).

Restabilization Time (normal mode):

- After frequency change: <15 min.
- After band change: none.
- After 1 min. in RF OFF mode: <10 min.

NOTE

Stability specifications for phase lock mode are determined by counter time base reference. See the internal reference tests.

DESCRIPTION:

A frequency counter, digital to analog converter, and strip-chart recorder are used to measure the frequency drift after warm-up and the restabilization time.

NOTE

For these tests, ambient room temperature and line voltage must not change.

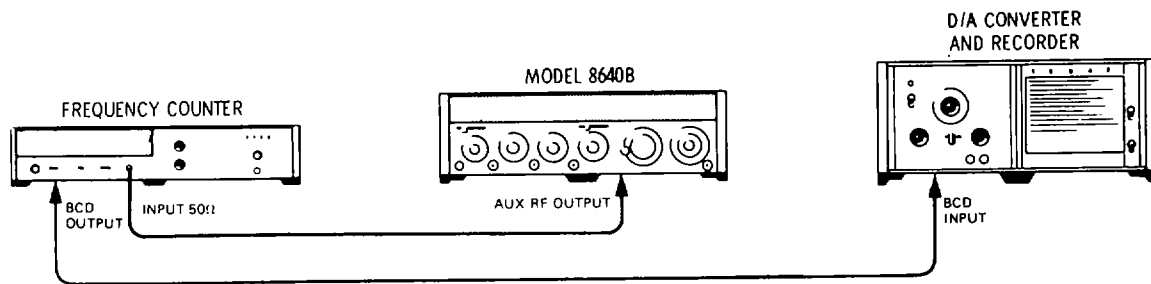


Figure 4-1. Frequency Stability vs Time and Restabilization Time Test Setup

PERFORMANCE TESTS

4-13. FREQUENCY STABILITY VS TIME AND RESTABILIZATION TIME TEST (Cont'd)

EQUIPMENT:

Frequency Counter HP 5327C OPT 003
 Digital to Analog Converter HP 581A OPT 002
 Recorder (for D/A Converter) HP 680

PROCEDURE:

1. Connect equipment as shown in Figure 4-1 after setting Signal Generator's controls as follows:

COUNTER MODE: EXPAND Off
 LOCK..... Off
 Source INT
 AM..... OFF
 FM..... OFF
 RANGE 32-64 MHz
 FREQUENCY TUNE 50 MHz
 RF ON/OFF..... ON

2. Set frequency counter to read frequency directly (i.e., not divided down). Use a 1 s gate time so that the last three digits span from 000 to 999 Hz.

3. Calibrate the recorder for a zero to full-scale reading that corresponds to a 000 to 999 Hz reading of the frequency counter's last three digits (i.e., 1 kHz full scale).

4. Warm up the equipment for two hours. Establish a reference on the recorder and record the generator's output frequency for 10 minutes. The frequency change in 10 minutes should be <500 Hz (half of full scale).

_____ 500 Hz

5. Set the FREQUENCY TUNE control fully ccw and back again to approximately 50 MHz. After 15 minutes record the frequency for 10 minutes. The frequency change in 10 minutes should be <500 Hz.

_____ 500 Hz

6. Set RANGE to 16 - 32 MHz and record the frequency for 10 minutes. The frequency change in 10 minutes should be <250 Hz.

_____ 250 Hz

7. Set RANGE to 32 - 64 MHz and set RF ON/OFF to OFF. After one minute set RF ON/OFF to ON. Wait 10 minutes and record the frequency for 10 minutes. The frequency change for the second 10 minutes should be <500 Hz.

_____ 500 Hz

PERFORMANCE TESTS

4-14. FREQUENCY STABILITY VS TEMPERATURE TEST

SPECIFICATION:

Stability vs Temperature: <50 ppm/°C (normal mode).

NOTE

Stability specifications for phase lock mode are determined by counter time base reference. See the internal reference tests.

DESCRIPTION:

A frequency counter is used to measure drift as temperature is changed. A temperature controlled chamber is used to vary the temperature.



Figure 4-2. Frequency stability vs Temperature Test Setup

EQUIPMENT:

Frequency Counter HP 5327C
 Temperature Controlled Chamber..... Statham Model 325

PROCEDURE:

1. Connect equipment as shown in Figure 4-2 after setting Signal Generator's controls as follows:

COUNTER MODE:	EXPAND.....	Off
	LOCK.....	Off
	Source	INT
AM.....		OFF
FM.....		OFF
RANGE		32-64 MHz
FREQUENCY TUNE		50 MHz
RF ON/OFF.....		ON

2. Set temperature controlled chamber for 150C. Allow Signal Generator to stabilize for two hours. Then note frequency counter reading.

PERFORMANCE TESTS

4-14. FREQUENCY STABILITY VS TEMPERATURE TEST (Cont'd)

- Set chamber for 350C. Again, allow Signal Generator to stabilize for two hours. Frequency change from reading noted in step 2 should be less than 50 kHz. _____ 50 kHz

4-15. FREQUENCY STABILITY VS LINE VOLTAGE TEST

SPECIFICATION:

Stability vs Line Voltage (+5% to -10% line voltage change): <1 ppm (normal mode).

NOTE

Stability specifications for phase lock mode are determined by counter time base reference. See the internal reference tests.

DESCRIPTION:

A frequency counter is used to measure frequency shift as line voltage is changed +5% to -10%.

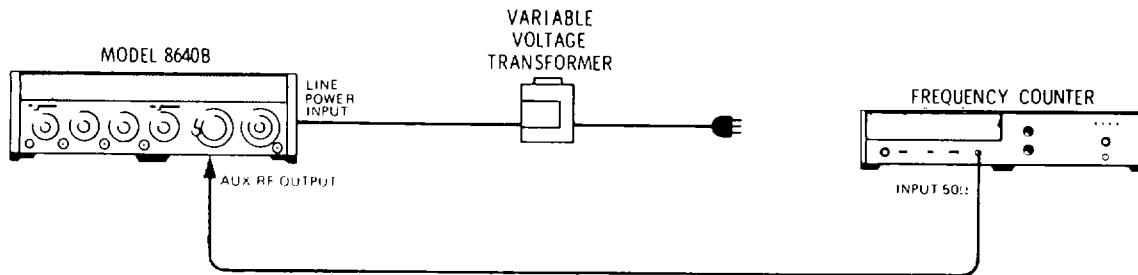


Figure 4-3. Frequency Stability us Line Voltage Test Setup

EQUIPMENT:

- Frequency Counter HP 5327C
- Variable Voltage Transformer GR W5MT3A

PERFORMANCE TESTS

4-15. FREQUENCY STABILITY VS LINE VOLTAGE TEST (Cont'd)

PROCEDURE:

1. Connect equipment as shown in Figure 4-3 after setting Signal Generator's controls as follows:

COUNTER MODE:	EXPAND	Off
	LOCK.....	Off
	Source	INT
AM.....		OFF
FM.....		OFF
RANGE		32 - 64 MHz
FREQUENCY TUNE		50 MHz
RF ON/OFF		ON

2. Set variable voltage transformer 5% above the nominal voltage set on generator's line power module (e.g., if nominal line voltage is 120 Vac, set transformer for 126 Vac). Note frequency counter reading.
3. Set variable voltage transformer 10% below nominal line voltage (e.g., for a nominal 120 Vac, set transformer for 108 Vac), then note counter's reading. The frequency change from the reading noted in step 2 should be <50 Hz (i.e., <1 ppm).

_____ 50 Hz

4-16. FREQUENCY STABILITY VS LOAD, LEVEL, AND MODE TEST

SPECIFICATION:

Stability vs Load (with any passive load change): <1 ppm (normal mode).
 Stability vs Level Change (10 dB on OUTPUT LEVEL vernier): <1 ppm (normal mode).
 Stability vs Modulation Mode Change (CW to FM): <1% of selected peak deviation or <200 Hz, whichever is greater.

NOTE

Stability specifications for phase lock mode are determined by counter time base reference. See the internal reference tests.

DESCRIPTION:

A frequency counter is used to measure frequency shift as the output is changed from an open circuit to a short circuit, as RF OUTPUT LEVEL is changed 10 dB, and as modulation mode is changed from CW to FM. The frequency is monitored at the rear panel auxiliary RF output jack.

PERFORMANCE TESTS

4-16. FREQUENCY STABILITY VS LOAD, LEVEL, AND MODE TEST (Cont'd)

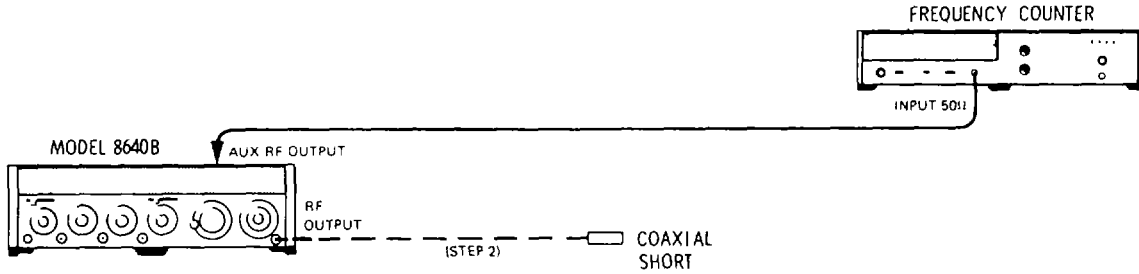


Figure 4-4. Frequency Stability us Load, Level, and Mode Test Setup

EQUIPMENT:

- Frequency Counter HP 5327C
- Type N Male Coaxial Short HP 11512A

PROCEDURE:

1. Connect equipment as shown in Figure 4-4 after setting Signal Generator's controls as follows:

- COUNTER MODE:
- EXPAND Off
 - LOCK Off
 - Source INT
 - AM OFF
 - FM OFF
 - RANGE 32-64 MHz
 - FREQUENCY TUNE 50 MHz
 - OUTPUT LEVEL +19 dBm
 - RF ON/OFF ON

2. Note frequency counter reading. Then connect coaxial short to RF OUTPUT. Again, note frequency counter reading. It should have changed less than 50 Hz.

_____ 50 Hz

3. Remove coaxial short, note frequency counter reading, then set OUTPUT LEVEL vernier to +9 dBm. Again, note frequency counter reading. It should have changed less than 50 Hz.

_____ 50 Hz

4. Set RANGE to 256 - 512 MHz, and set FREQUENCY TUNE to 500 MHz. With FM switch set to OFF, note the frequency counter reading. Set PEAK DEVIATION switch to 10 kHz and PEAK DEVIATION vernier full clockwise. Set FM to AC and again, note frequency counter reading. It should have changed less than 200 Hz.

_____ 200 Hz

PERFORMANCE TESTS

4-16. FREQUENCY STABILITY VS LOAD, LEVEL, AND MODE TEST (Cont'd)

5. Repeat step 4 with PEAK DEVIATION set as shown below. The frequency change should be as specified.

Peak Deviation	Frequency Change
20 kHz	_____ <200 Hz
40 kHz	_____ <400 Hz
80 kHz	_____ <800 Hz
160 kHz	_____ <1.6 kHz
320 kHz	_____ <3.2 kHz
640 kHz	_____ <6.4 kHz
1.28 MHz	_____ <12.8 kHz
2.56 MHz	_____ <25.6 kHz

4-17. HARMONICS TEST

SPECIFICATIONS:

Harmonics: (at 1 volt, +13 dBm output range and below)
 >35 dB below fundamental of 0.5 to 128 MHz,
 >30 dB below fundamental of 128 to 512 MHz.

DESCRIPTION:

A spectrum analyzer is used to measure harmonics as the Signal Generator is tuned from 0.5 to 512 MHz.

EQUIPMENT:

Spectrum AnalyzerHP 141T/8552B/8554B

PROCEDURE:

1. Connect generator's RF OUTPUT to analyzer's input after setting Signal Generator's controls as follows:

Meter Function LEVEL
 COUNTER MODE: EXPAND Off
 LOCK..... Off
 Source INT

PERFORMANCE TESTS

4-17. HARMONICS TEST (Cont'd)

AM..... OFF
 FM..... OFF
 RANGE 0.5 - 1 MHz
 FREQUENCY TUNE 0.5 MHz
 OUTPUT LEVEL..... +13 dBm (switch 1 step
 ccw from full cw)
 RF ON/OFF..... ON

2. Set spectrum analyzer to measure harmonics 35 dB below the fundamental from 0.5 to 2 MHz. Set input attenuation to 50 dB, resolution bandwidth to 100 kHz, frequency span per division (scan width) to 1 MHz, scale to log (10 dB/div), and scale reference level to +13 dBm. Adjust analyzer's frequency controls to set 0 Hz to the left edge of the display.

NOTE

If 50 dB of analyzer input attenuation is not available, use an external attenuator such as the Model 355D.

3. Slowly tune Signal Generator to 1 MHz, checking that all harmonics are more than 35 dB below the fundamental.

35 dB _____

NOTE

If any harmonic below 512 MHz appears to be out of specification, remove any possible analyzer error and remeasure the harmonic as follows:

- a. Tune the generator to the frequency of the harmonic.
- b. Using the analyzer's IF attenuator, step the signal down 30 dB on the display and note the -30 dB point on the display.
- c. Step the IF attenuator up 30 dB and retune the generator to its original setting.
- d. Using the -30 dB point noted on the display as a reference, remeasure the harmonic.

4. Set spectrum analyzer and Signal Generator as shown below. On each range, set FREQUENCY TUNE to the low end of the band and use analyzer's frequency controls to set the fundamental to the left edge of the display. Keeping the fundamental near the left edge of the display, tune FREQUENCY TUNE to the high end of the band. All harmonics should be as specified.

PERFORMANCE TESTS

4-17. HARMONICS TEST (Cont'd)

NOTE

On bands 8 - 16 MHz and above, check for harmonics while tuning down in frequency. For frequencies above 500 MHz, tune analyzer to observe second harmonic.

Spectrum Analyzer		Signal Generator	
Resolution Bandwidth	Freq. Span Per Division	Range	Harmonics Down
100 kHz	1 MHz	1-2 MHz	>35 dB _____
100 kHz	2 MHz	2-4 MHz	>35 dB _____
100 kHz	5 MHz	4-8 MHz	>35 dB _____
300 kHz	10 MHz	8-16 MHz	>35 dB _____
300 kHz	20 MHz	16-32 MHz	>35 dB _____
300 kHz	50 MHz	32-64 MHz	>35 dB _____
300 kHz	100 MHz	64-128 MHz	>35 dB _____
300 kHz	100 MHz	128-256 MHz	>30 dB _____
300 kHz	100 MHz	256-512 MHz	>30 dB _____

4-18. SUB-HARMONICS AND NON-HARMONIC SPURIOUS TEST

SPECIFICATION:

Sub-Harmonics and Non-Harmonic Spurious: (excluding frequencies within 15 kHz of carrier whose effects are specified under Residual AM and FM) >100 dB below carrier.

DESCRIPTION:

A notch filter is used to remove the fundamental. All non-harmonic spurious and sub-harmonics are then amplified and measured with a spectrum analyzer.

PERFORMANCE TESTS

4-18. SUB-HARMONICS AND NON-HARMONIC SPURIOUS TEST (Cont'd)

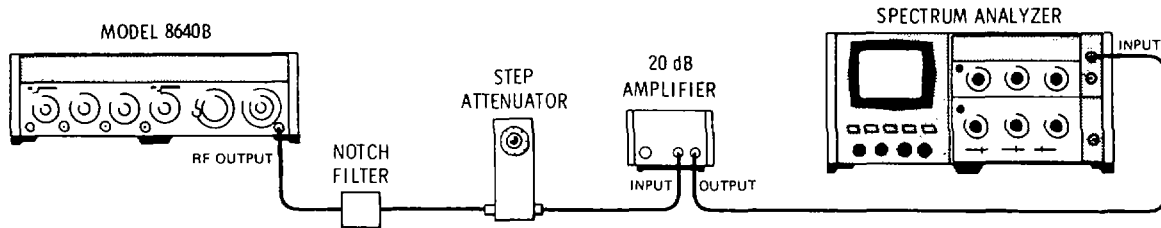


Figure 4-5. Sub-Harmonics and Non-Harmonic Spurious Test Setup

EQUIPMENT:

520 MHz Notch Filter.....	HP 08640-60502
10 dB Step Attenuator.....	HP 355D
20 dB Amplifier.....	HP 8447A
Spectrum Analyzer.....	HP 141T/8552B/8554B

PROCEDURE:

1. Connect equipment as shown in Figure 4-5 after setting Signal Generator's controls as follows:

Meter Function	LEVEL
COUNTER MODE:	
EXPAND	Off
LOCK.....	Off
Source	INT
AM.....	OFF
FM.....	OFF
RANGE	128-256 MHz
FREQUENCY TUNE	260 MHz
OUTPUT LEVEL.....	+13 dBm
RF ON/OFF	ON

2. Set step attenuator to 60 dB. Set analyzer's input attenuation to 0 dB, scale switch to log (10 dB/div), and reference level controls to -30 dBm; set resolution bandwidth to 30 kHz, frequency span per division (scan width) to 1 MHz, and tune the frequency controls to set 260 MHz at the center of the display. Adjust reference level vernier to set signal peak to top (reference) graticule line on display.
3. Set generator's RANGE switch to 256 - 512 MHz. Tune analyzer to display the 520 MHz signal (i.e., the second harmonic of 260 MHz).
4. Tune generator's FREQUENCY TUNE for a minimum signal on analyzer's display. Set the step attenuator to 0 dB, and again tune FREQUENCY TUNE for a minimum signal.
5. The signal on the display should be below the top (reference level) graticule line. Tune the spectrum analyzer slowly to 500 kHz. All non-harmonic spurious signals, and sub-harmonics should be below the -40 dB graticule on the display (> 100 dB down).

100 dB _____

PERFORMANCE TESTS

4-19. SINGLE SIDEBAND PHASE NOISE TEST

SPECIFICATION:

SSB Phase Noise at 20 kHz Offset from carrier:

(Averaged rms noise level below carrier stated in a 1 Hz bandwidth.)

256 MHz to 512 MHz: > 130 dB from 230 to 450 MHz increasing linearly to > 122 dB down at 550 MHz.

0.5 MHz to 256 MHz: Decreases approximately 6 dB for each divided frequency range until it reaches SSB Broadband Noise Floor of > 140 dB.

DESCRIPTION:

Phase noise is measured with a spectrum analyzer. A reference signal generator and a mixer are used to down-convert the test Signal Generator's CW signal to 0 Hz (the two signal generators are phase locked together). Then the spectrum analyzer measures SSB phase noise at a 20 kHz offset from the carrier.

NOTE

This test measures the total SSB phase noise of both generators. Therefore, the reference signal generator must have SSB phase noise that is less than or equal to the specification for the test generator.

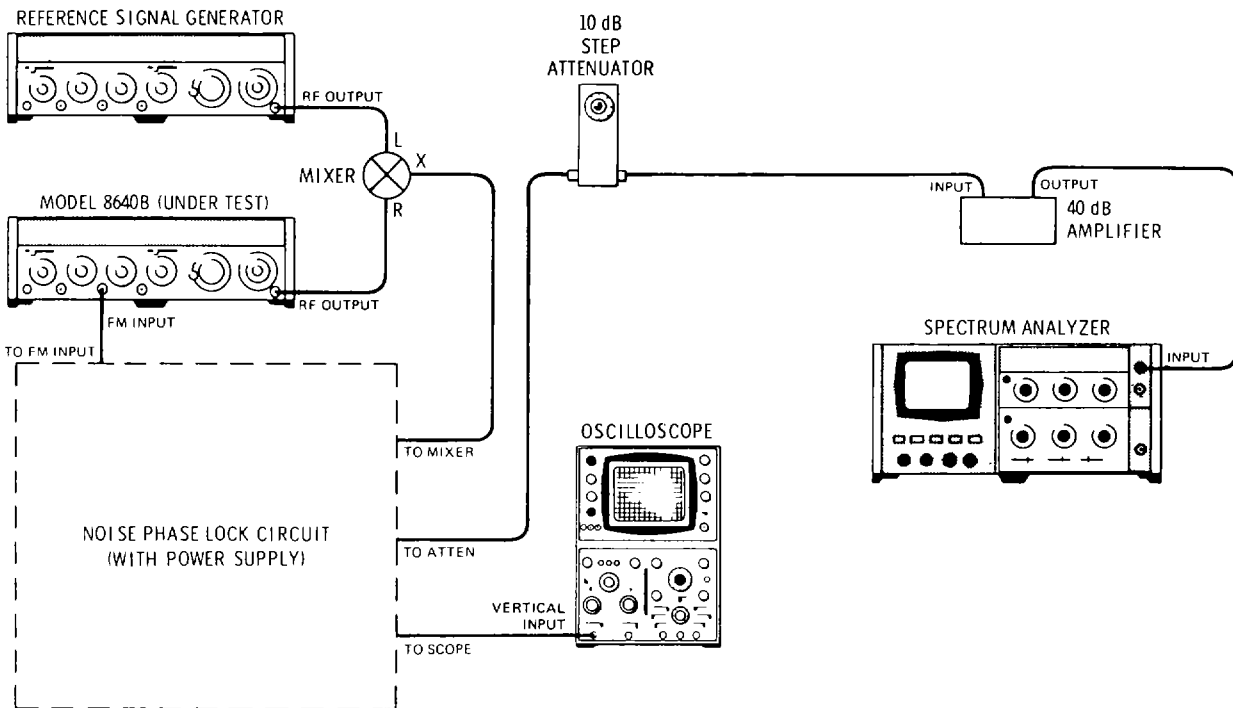


Figure 4-6. Single Sideband Phase Noise Test Setup

PERFORMANCE TESTS

4-19. SINGLE SIDEBAND PHASE NOISE TEST (Cont'd)

EQUIPMENT:

Reference Signal Generator	HP 8640A
Mixer	HP 10514A
10 dB Step Attenuator.....	HP 355D
40 dB Amplifier.....	HP 08640-60506
Oscilloscope	HP 180A/1801A/1820C
Spectrum Analyzer	HP 141T/8552B/8556A
Noise Phase Lock Circuit.....	HP 08640-60504

PROCEDURE:

1. Connect equipment as shown in Figure 4-6 after setting test Signal Generator's controls as follows:

Meter Function	LEVEL
COUNTER MODE: EXPAND.....	Off
LOCK.....	Off
Source	INT
AM.....	OFF
FM.....	OFF
PEAK DEVIATION.....	5 kHz
PEAK DEVIATION Vernier	Full cw
RANGE	256-512 MHz
FREQUENCY TUNE	550 MHz
OUTPUT LEVEL.....	-7 dBm
RF ON/OFF	ON

2. Set analyzer's input level control to -40 dBm, resolution bandwidth to 1 kHz, dBm/dBV control to dBm 50 ohm, span width per division (scan width) to 5 kHz, and center frequency controls to 20 kHz. Set display reference level to -40 dBm (at 10 dB per division). Using analyzer's 20 kHz markers, measure and note 20 kHz on the display.
3. Set oscilloscope's volts/div control to 0.02 and time/div control to 50 its; set the input to measure dc. Set 10 dB step attenuator to 80 dB. Set 40 dB amplifier's input impedance switch to 50 ohms.
4. Set reference signal generator for a 549.98 MHz, CW signal at +13 dBm (i.e., 20 kHz below test generator's frequency). Fine adjust its frequency for a 20 kHz signal on analyzer's display. Adjust analyzer's display reference level controls so that the 20 kHz signal is 4.3 dB below the top (reference) graticule line.

NOTE

The correction factors for this measurement are as follows:

- a. The DSB to SSB transfer is 6 dB because the mixing process translates two correlated 1 kHz BW portions of the noise into the 1 kHz BW of the analyzer-giving twice the effective noise voltage.

PERFORMANCE TESTS

4-19. SINGLE SIDEBAND PHASE NOISE TEST (Cont'd)**NOTE (Cont'd)**

- b. **+2.5 dB because noise is average detected after logging*.**
- c. **-0.8 dB. Effective noise BW is 1.2 x 3 dB BW which gives -0.8 dB - 10 log (actual 3 dB BW/nominal 3 dB BW)*.**

Summing the correction factors gives -4.3 dB 10 log (actual 3 dB BW/nominal 3 dB BW) or approximately -4.3 dB \pm 1 dB.

- 5. Phase lock the generators by setting test generator's FM switch to DC and by tuning reference signal generator to 550 MHz (i.e., for a difference frequency of 0 Hz). Monitor phase lock on oscilloscope, checking that mixer's output is 0 Vdc (if it is not, fine tune reference generator until it is).
- 6. Set analyzer's display smoothing (video filter) to 10 Hz. Set step attenuator to 0 dB. The top (reference) graticule line on analyzer's display represents 110 dB/Hz below carrier level (the transfer from a 1 kHz BW to a 1 Hz BW is 30 dB). The average noise level on the display should be > 12 dB below top graticule line at 20 kHz (i.e., > 122 dB below carrier).

12 dB _____

NOTE

Set oscilloscope to check for possible line-related signals in test setup. They should be < 10 mVp-p.

- 7. Set test Signal Generator to 450 MHz and FM switch to OFF. Set reference signal generator to 449.98 MHz (i.e., 20 kHz below the test generator's frequency). Repeat steps 2 through 6. The average noise level on the display should be > 20 dB below top graticule line at 20 kHz.

20 dB _____

NOTE

SSB phase noise can be checked at any other frequency from 230 kHz to 550 MHz by following the procedures given above. Noise decreases approximately 6 dB per each octave band change down to -140 dB below carrier.

4-20. SINGLE SIDEBAND BROADBAND NOISE FLOOR TEST**SPECIFICATION:**

SSB Broadband Noise Floor at maximum output vernier and greater than 500 kHz offset from carrier: (Averaged rms noise level below carrier stated in a 1 Hz bandwidth.) 0.5 to 512 MHz: >140 dB.

* See Hewlett-Packard Application Note 150-4. Spectrum Analysis - Noise Measurements.

PERFORMANCE TESTS

4-20. SINGLE SIDEBAND BROADBAND NOISE FLOOR (Cont'd)

DESCRIPTION:

A spectrum analyzer is used to measure the broadband noise floor (a reference signal generator and a mixer are used to down-convert the test Signal Generator's RF output and noise to within the range of the spectrum analyzer). A reference level is set on the analyzer with a 5 kHz signal, the signal is changed to 500 kHz and removed from the analyzer with a filter, and the broadband noise floor is measured.

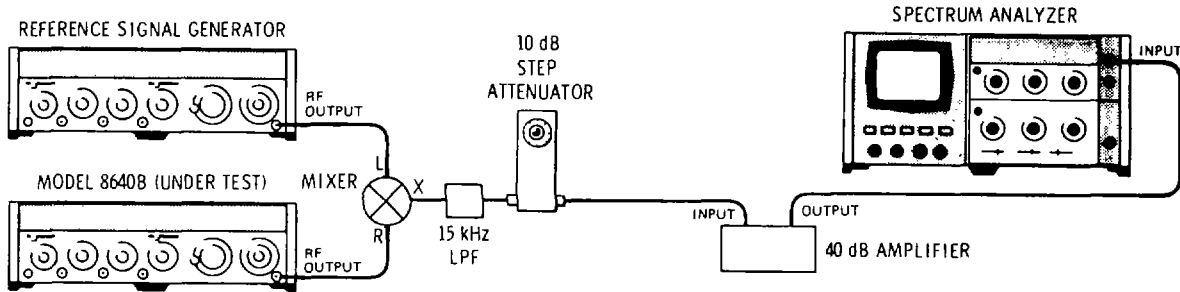


Figure 4-7. Single Sideband Broadband Noise Floor Test Setup

EQUIPMENT:

Reference Signal Generator	HP 8640A
Mixer	HP 10514A
15 kHz Low-Pass Filter	CIR-Q-TEL 7 Pole
10 dB Step Attenuator.....	HP 355D
40 dB Amplifier.....	HP 08640-60506
Spectrum Analyzer	HP 141T/8552B/8556A

PROCEDURE:

1. Connect equipment as shown in Figure 4-7 after setting test Signal Generator's controls as follows:

Meter Function	LEVEL
COUNTER MODE:	
EXPAND	Off
LOCK.....	Off
Source	INT
AM.....	OFF
FM.....	OFF
RANGE	256-512 MHz
FREQUENCY TUNE	500.000 MHz
OUTPUT LEVEL.....	-7 dBm (Vernier max cw)
RF ON/OFF	ON

PERFORMANCE TESTS

4-20. SINGLE SIDEBAND BROADBAND NOISE FLOOR (Cont'd)

2. Set 10 dB step attenuator to 80 dB. Set reference signal generator for a 500.005 MHz (i.e., 5 kHz above the test generator's frequency), CW signal at +13 dBm (output vernier maximum cw). Set 40 dB amplifier's input impedance switch to 50 ohms.
3. Set spectrum analyzer's resolution bandwidth to 1 kHz, set input level control to -40 dBm and dBm/dBV to dBm 50 ohm, and adjust frequency controls to set the 5 kHz difference frequency in the center of the display. Set analyzer's display reference level controls for 10 dB per division with the 5 kHz difference signal 1.3 dB from the top (reference) graticule line on the display.

NOTE

The correction factors for this measurement are as follows:

- a. The DSB to SSB transfer is -3 dB because the mixing process translates two uncorrelated 1 kHz BW portions of the noise into the 1 kHz BW of the analyzer-giving 10^2 times the effective noise voltage.
- b. +2.5 dB because noise is average detected after logging.*
- c. -0.8 dB. Effective noise BW is 1.2×3 dB BW which gives -0.8 dB - $10 \log$ (actual 3 dB BW/nominal 3 dB BW).*

Summing the correction factors gives -1.3 dB - $10 \log$ (actual 3 dB BW/nominal 3 dB BW) or approximately -1.3 dB \pm 1 dB.

4. Change reference signal generator's output frequency to 500.50 MHz. Set 10 dB step attenuator to 0 dB. Set analyzer's display smoothing (video filter) to 10 Hz. The top graticule line on analyzer's display represents -110 dB (the transfer from a 1 kHz BW to a 1 Hz BW is 30 dB). The average noise level on the display should be >30 dB below the top graticule line (i.e., >140 dB below carrier).

30 dB _____

NOTE

If the test generator appears to be out of specification, check for excessive noise in the test setup by disconnecting the test generator. The noise level on the analyzer's display should decrease at least 10 dB.

* See Hewlett-Packard Application Note 150-4. Spectrum Analysis - Noise Measurements.

PERFORMANCE TESTS

4-21. RESIDUAL AM TEST

SPECIFICATION:

Residual AM: (Averaged rms)

Post-detection Noise Bandwidth	
300 Hz to 3 kHz	20 Hz to 15 kHz
>85 dB down	>78 dB down

DESCRIPTION:

An rms voltmeter is calibrated with a measured amount of amplitude modulation from the Signal Generator. Then the AM is removed and the generator's residual AM is read directly from the voltmeter.

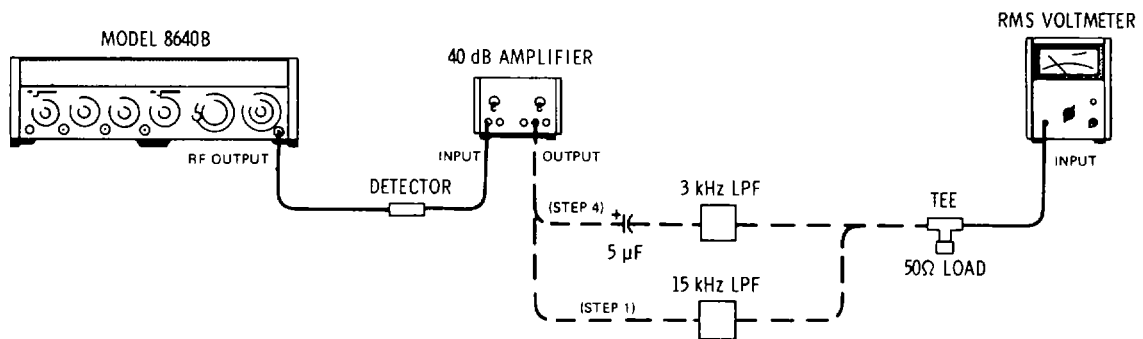


Figure 4-8. Residual AM Test Setup

EQUIPMENT:

RMS Voltmeter	HP 3400A
Detector	HP 8471A
3 kHz Low-Pass Filter (LPF)	CIR-Q-TEL 5 Pole
15 kHz Low-Pass Filter (LPF)	CIR-Q-TEL 7 Pole
40 dB Amplifier	HP 465A
Capacitor 5 μ F	HP 0180-2211
50 Ohm Load	HP 11593A

PROCEDURE:

1. Connect equipment as shown in Figure 4-8 (with the generator connected to the rms voltmeter through the detector, amplifier, 15 kHz LPF, and across the 50 ohm load). Set Signal Generator's controls as follows:

PERFORMANCE TESTS

4-21. RESIDUAL AM TEST (Cont'd)

Meter Function LEVEL
 COUNTER MODE: EXPAND Off
 LOCK Off
 Source INT
 AM INT
 MODULATION Full ccw
 MODULATION FREQUENCY 1000 Hz
 FM OFF
 RANGE 256 - 512 MHz
 FREQUENCY TUNE 500 MHz
 OUTPUT LEVEL +13 dBm (Vernier full cw)
 RF ON/OFF ON

2. Set Meter Function to AM and slowly turn Signal Generator's MODULATION control clockwise until its panel meter indicates 10% AM. Note voltmeter reading in dB.
3. Set generator's AM switch to OFF. The residual AM should read >58 dB below the reference noted in step 2 (i.e., >78 dB down). (The 10% AM, after detection, is 20 dB below the carrier level. Residual AM is then 20 dB -78 dB = -58 dB.)

58 dB _____

4. Replace the 15 kHz LPF with the 3 kHz LPF. Add the capacitor between amplifier and filter and repeat steps 1 through 3. The residual AM should read >65 dB below the reference noted in step 2 (i.e., > 85 dB down).

65 dB _____

4-22. RESIDUAL FM TEST

SPECIFICATION:

Residual FM: (Averaged rms)

	CW and up to 1/8 maximum allowable peak deviation		Up to maximum allowable peak deviation	
	Post-detection Noise Bandwidth	300 Hz to 3 kHz	20 Hz to 15 kHz	300 Hz to 3 kHz
230 to 550 MHz	<5 Hz	<15 Hz	<15 Hz	<30 Hz

PERFORMANCE TESTS

4-22. RESIDUAL FM TEST (Cont'd)

DESCRIPTION:

An FM discriminator is used to measure FM deviation (a reference signal generator and a mixer are used to down-convert the test Signal Generator's RF output to within the range of the discriminator). The discriminator output is filtered and amplified and then measured with a voltmeter. The voltmeter reading, in mVrms, is proportional to the rms frequency deviation of the residual FM.

NOTE

This test measures the total residual FM of both generators. Therefore, the reference generator must have residual FM that is less than or equal to the specification for the test generator.

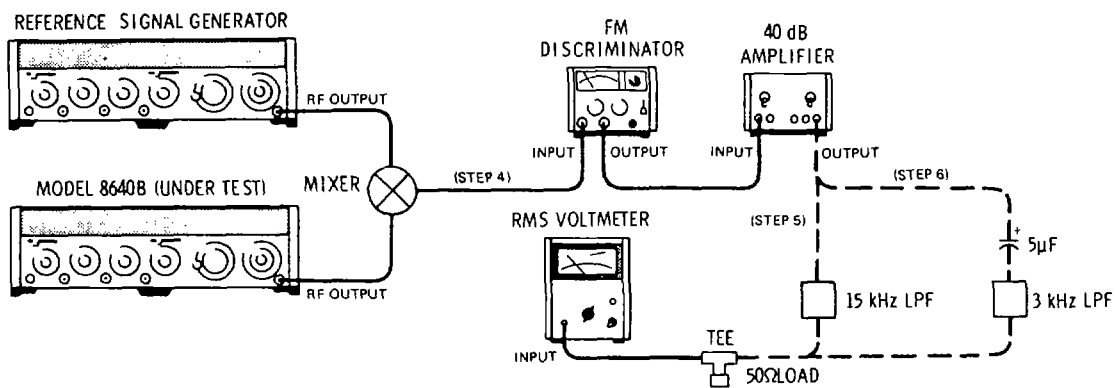


Figure 4-9. Residual FM Test Setup

EQUIPMENT:

FM Discriminator	HP 5210A
Filter Kit	HP 10531A
RMS Voltmeter	HP 3400A
40 dB Amplifier	HP 465A
Capacitor 5 pF	HP 0180-2211
Reference Signal Generator	HP 8640A
Mixer	HP 10514A
3 kHz Low-Pass Filter (LPF)	CIR-Q-TEL 5 Pole
15 kHz Low-Pass Filter (LPF)	CIR-Q-TEL 7 Pole
50 Ohm Load	HP 11593A

PERFORMANCE TESTS

4-22. RESIDUAL FM TEST (Cont'd)

PROCEDURE:

1. Connect equipment as shown in Figure 4-9 after setting test Signal Generator's controls as follows:

Meter Function LEVEL
 COUNTER MODE: EXPAND Off
 LOCK Off
 Source INT
 AM OFF
 FM AC
 PEAK DEVIATION 320 kHz
 PEAK DEVIATION Vernier Full cw
 RANGE 256 - 512 MHz
 FREQUENCY TUNE 500 MHz
 OUTPUT LEVEL -7 dBm
 RF ON/OFF ON

2. Install shorting board in discriminator and calibrate it for 1 Vdc (at the output jack) for a full-scale meter reading. Remove shorting board, prepare a 20 kHz Butterworth low-pass filter (from the filter kit), and install the filter in the discriminator.
3. Set reference signal generator for a 500.10 MHz, CW signal at +13 dBm.
4. Connect discriminator to mixer. Set discriminator's range to 100 kHz and sensitivity to 0.01 Vrms. Fine tune either generator for a full-scale meter reading on the discriminator.
5. Connect amplifier to discriminator output. Connect the voltmeter through the 15 kHz LPF to amplifier's output. The signal out of the amplifier is 0.5 mVrms per 1 Hz (rms) of residual FM deviation, and the average voltmeter reading should be less than 7.5 mVrms (i.e., <15 Hz (rms) residual FM).

-----7.5 mVrms

NOTE

Test setup calibration can be checked by setting the test generator's FM to INT, PEAK DEVIATION to 5 kHz (vernier full cw), and MODULATION FREQUENCY to 1000 Hz. The voltmeter should read 1.77 Vrms.

6. Connect the capacitor between amplifier and filter. Replace 15 kHz LPF with 3 kHz LPF. The average voltmeter reading should be less than 2.5 mVrms (i.e., <5 Hz (rms) residual FM).

-----2.5 mVrms

7. Set test Signal Generator's PEAK DEVIATION switch to 2.56 MHz. The average voltmeter reading should be less than 7.5 mVrms (i.e., <15 Hz (rms) residual FM).

-----7.5 mVrms

PERFORMANCE TESTS

4-22. RESIDUAL FM TEST (Cont'd)

- 8. Remove the capacitor and replace 3 kHz LPF with 15 kHz LI'F. The average(voltmeter reading should be less than 15 mVrms (i.e., <30 Hz (rms) residual FM).

-----15 mVrms

4-23. OUTPUT LEVEL ACCURACY TEST (Abbreviated)

SPECIFICATION:

Range: 10 dB steps and 18 dB vernier provide output power settings from +19 to -145 dBm (2V to 0.013 μ V) into 50Ω.

Level Accuracy:

	Using Top 10 dB of Vernier Range			Using Full Vernier Range
Output Level (dBm)	+19 to -7	-7 to -47	-47 to -137	+19 to -145
Total Accuracy as Indicated on Level Meter	1.5 dB	+2.0 dB	+2.5 dB	Add +0.5 dB

DESCRIPTION:

The RF level accuracy for the upper four OUTPUT LEVEL attenuator ranges is measured with a power meter. For the lower ranges, a reference signal is established on a spectrum analyzer display, the Signal Generator's OUTPUT LEVEL switch and the spectrum analyzer's vertical scale log reference level control are stepped together, and any amplitude variations are measured on the analyzer's display. An RF attenuator and amplifier at the RF OUTPUT are adjusted for analyzer compatibility and best sensitivity.

This procedure uses an IF substitution technique in which the spectrum analyzer's IF is the standard. The IF step accuracy should be within ± 0.2 dB overall. The IF step accuracy can be checked using the above technique by comparing a lab calibrated attenuator (such as HP Model 355D Option 1136) with the IF step control at the frequency of attenuator calibration (e.g., 3 MHz for the HP 355D Option H36).

NOTE

This procedure checks output level accuracy from +19 dBm to -127 dBm, all of the attenuator sections in the OUTPUT LEVEL step attenuator, and the OUTPUT LEVEL vernier. If, in addition, level accuracy must be verified down to 145 dBm, see paragraph ,4-24.

PERFORMANCE TESTS

4-23. OUTPUT LEVEL ACCURACY TEST (Abbreviated) (Cont'd)

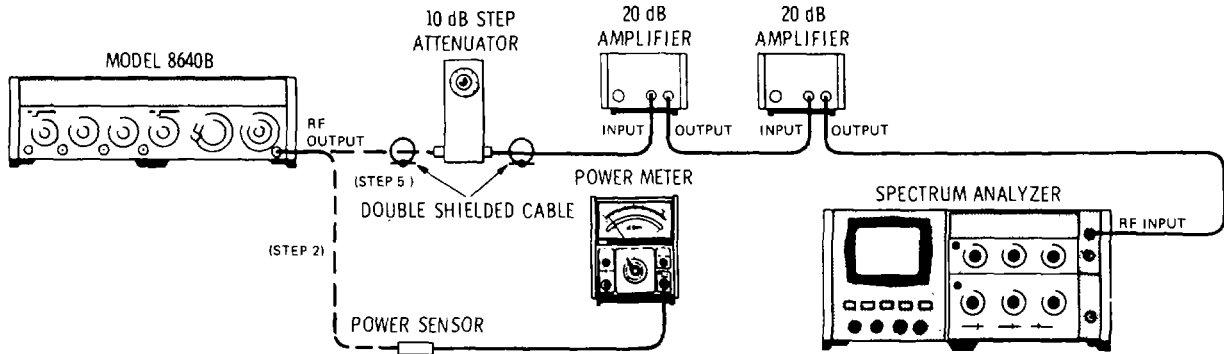


Figure 4-10. Output Level Accuracy Test Setup (Abbreviated).

EQUIPMENT:

Spectrum Analyzer.....	HP 141T/8552B/8554B
Power Meter.....	HP 435A
Power Sensor.....	HP 8481A
20 dB Amplifier (2 required)	HP 8447A
10 dB Step Attenuator.....	HP 355D
Double Shielded Cable (2 required).....	HP 08708-6033

NOTE

An HP Model 432A Power Meter with a Model 478A Thermistor Mount can be used for this test. However, a 10 dB attenuator, such as the Model 8491A OPT 10, must be used with the mount. This will slightly degrade measurement accuracy.

PROCEDURE:

1. Connect equipment as shown in Figure 4-10 after setting Signal Generator's controls as follows:

Meter Function.....	LEVEL
COUNTER MODE: EXPAND	Off
LOCK.....	Off
Source.....	INT
AM.....	OFF
FM.....	OFF
RANGE.....	256 - 512 MHz
FREQUENCY TUNE.....	512 MHz
OUTPUT LEVEL.....	+19 dBm
RF ON/OFF	ON

PERFORMANCE TESTS

4-23. OUTPUT LEVEL ACCURACY TEST (Abbreviated) (Cont'd)

2. Set power meter's controls so that it can measure +19 dBm. Connect power sensor to Signal Generator's RF OUTPUT.
3. Set Signal Generator's RF OUTPUT LEVEL controls for levels (set using generator's panel meter) shown in the table below; verify that the level is within the specified tolerance.

Signal Generator		Power Meter Reading (dBm)
OUTPUT LEVEL Switch	R F Level Set (with Panel Meter)	
Full cw 1 step ccw from full cw	+19 dBm	Set level +17.5 - 20.5
	+13 dBm	+11.5 - +14.5
	+5 dBm	+3.0 - +7.0
	+13 dBm	+11.5 - +14.5
	+8 dBm	+6.5 - +9.5
	+3 dBm	+1.5 - +4.5
	-5 dBm	-7.0 - -3.0
2 steps ccw from full cw	+3 dBm	+1.5 - +4.5
3 steps ccw from full cw	-7 dBm	-8.5 - -5.5

4. Set step attenuator to 70 dB. Set spectrum analyzer center frequency to 512 MHz, resolution bandwidth to 1 kHz, frequency span per division (scan width) to 0.5 kHz, input attenuation to 0 dB, tuning stabilizer on, display smoothing (video filter) to 100 Hz, 2 dB per division vertical log display with a -20 dBm reference level.
5. Connect attenuator to generator's RF OUTPUT without disturbing generator's controls. Center signal on analyzer's display. Consider the center horizontal graticule line equivalent to -7 dBm (with a panel meter reading of +3 dB), then with the vertical scale reference vernier control set the signal peak to be equal to the last measured level on the power meter.

NOTE

If, for example, the last power meter reading was -7.4 dBm, the vertical scale resolution is 2 dB/division, therefore, the signal peak should be 0.4 dB or 0.2 division below the center (reference) graticule line.

PERFORMANCE TESTS

4-23. OUTPUT LEVEL ACCURACY TEST (Abbreviated) (Cont'd)

6. Step Signal Generator's OUTPUT LEVEL switch and analyzer's vertical scale log reference level control as shown in the following table. Verify that the amplitude falls within +2.0 dB (1 division) of the center (reference) graticule line in each case. If necessary, use generator's OUTPUT LEVEL vernier to reset panel meter to +3 dB.

Signal Generator		Spectrum Analyzer	
OUTPUT LEVEL Switch (from full cw)	RF Level Set (with Panel Meter)	Log Reference Level Control (dBm)	Display Amplitude (dB)
3 steps ccw	-7 dBm	-20	Set level
4 steps ccw	-17 dBm	-30	-2.0 - +2.0
5 steps ccw	-27 dBm	-40	-2.0 - +2.0
6 steps ccw	-37 dBm	-50	-2.0 - +2.0

7. Set analyzer's vertical scale log reference level to -10 dBm and reset the 10 dB step attenuator to 30 dB. With the vertical scale log reference vernier, set the signal peak to the same level, with respect to the horizontal center (reference) graticule line, as the last measurement recorded on the preceding table.

NOTE

If generator appears to be out of specification, check accuracy of spectrum analyzer's vertical scale calibration.

8. Step Signal Generator's OUTPUT LEVEL switch and analyzer's vertical scale log reference level control as shown in the following table. Verify that the amplitude is within the specified tolerance. If necessary, use generator's OUTPUT LEVEL vernier to reset panel meter to +3 dB.

Signal Generator		Spectrum Analyzer	
OUTPUT LEVEL Switch (from full cw)	RF Level Set (with Panel Meter)	Log Reference Level Control (dBm)	Display Amplitude (dB)
6 steps ccw	-37 dBm	-10	Set level
7 steps ccw	-47 dBm	-20	-2.5 - +2.5
8 steps ccw	-57 dBm	-30	-2.5 - +2.5
9 steps ccw	-7 dBm	-40	-2.5 - +2.5
10 steps ccw	-77 dBm	-50	-2.5 - +2.5

PERFORMANCE TESTS

4-23. OUTPUT LEVEL ACCURACY TEST (Abbreviated) (Cont'd)

9. Set step attenuator to 0 dB; set spectrum analyzer's vertical scale log reference level to -20 dBm. Adjust vertical scale log reference vernier to give the same level, with respect to the center (reference) graticule line, as the last recorded entry on the previous table.
10. Set Signal Generator and analyzer controls as shown in the following table. The amplitude levels should be within the specified tolerances. If necessary, use generator's OUTPUT LEVEL vernier to reset panel meter to +3 dB.

Signal Generator		Spectrum Analyzer	
OUTPUT LEVEL Switch (from full cw)	RF Level Set (with Panel Meter)	Log Reference Level Control (dBm)	Display Amplitude (dB)
10 steps ccw	-77 dBm	-20	Set level
11 steps ccw	-87 dBm	-30	-2.5 - +2.5
12 steps ccw	-97 dBm	-40	-2.5 - +2.5
13 steps ccw	-107 dBm	-50	-2.5 - +2.5
14 steps ccw	-117 dBm	-60	-2.5 - +2.5

11. Set analyzer's display to 10 dB/division log. Adjust log reference level vernier to set signal to -10 dB graticule line (one major division from top of display) plus last recorded entry on previous table.

NOTE

If the following step appears to be out of specification, check the accuracy of the analyzer's display with an external, calibrated attenuator.

12. Set generator's OUTPUT LEVEL switch one step ccw to -127 dBm (adjust vernier for +3 dB indication on panel meter). The amplitude level indicated on analyzer's display should be within 3 dB of the -20 dB graticule line (second major division from top of display).

--22.5 -17.5 dB

NOTE

The noise level on the analyzer's display should be >10 dB below the signal level. The signal should drop into the noise when the OUTPUT LEVEL vernier is turned fully ccw.

PERFORMANCE TESTS

4-24. OUTPUT LEVEL ACCURACY TEST (Complete)

SPECIFICATION:

Range: 10 dB steps and 18 dB vernier provide output power settings from +19 to -145 dBm (2V to 0.013 μV) into 50Ω.

	Using Top 10 dB of Vernier Range		Using Full Vernier Range	
Output Level (dBm)	+19 to -7	-7 to -47	-47 to -137	+19 to -145
Total Accuracy as Indicated on Level Meter	±1.5 dB	±2.0 dB	±2.5 dB	Add ±0.5 dB

DESCRIPTION:

RF output level accuracy above -7 dBm is measured with a power meter; below -7 dBm, cumulative error is measured against a lab calibrated step attenuator using an IF substitution technique. The test Signal Generator's output is down-converted to 3 MHz (the IF) using a mixer and a reference signal generator. The 3 MHz IF is fed through the calibrated step attenuator to a spectrum analyzer. A reference level is established on the analyzer, and the step attenuator and the test generator's OUTPUT LEVEL switch are stepped together. Any amplitude variations are measured with a DVM connected to the analyzer's vertical output.

A spectrum analyzer tracking generator is connected, with the two signal generators, in a phase lock loop that prevents relative drift between the units.

NOTE

This procedure allows the output level accuracy to be verified down to -145 dBm. Care must be taken to ensure that leakage signals do not reduce the dynamic range of the test setup (use double-shielded coaxial cable, HP 08708-6033). Keep cables in the phase lock path away from cables in the measurement path.

EQUIPMENT:

Reference Signal Generator.....	HP 8640A
20 dB Amplifier (3 required)	HP 8447A
10 dB Step Attenuator.....	HP 355D
Calibrated Step Attenuator	HP 355D OPT H36
Digital Voltmeter	HP 3480B/3484A OPT 043
Spectrum Analyzer.....	HP 141T/8552B/8553B
Tracking Generator	HP 8443B
Mixer (3 required)	HP 10514A
4 MHz Low Pass Filter (2 required)	CIR-Q-TEL 3 Pole

PERFORMANCE TESTS

4-24. OUTPUT LEVEL ACCURACY TEST (Complete) (Cont'd)

1.5 MHz Low Pass Filter.....	CIR-Q-TEL 3 Pole
Oscilloscope.....	HP 180A/1801A/1820C
20 dB Attenuator	HP 8491A OPT 20
13 dB Attenuator	HP 8491A OPT 10 and OPT 03
Power Meter	HP 435A
Power Sensor.....	HP 8481A
Double Shielded Cable (17 required).....	HP 08708-6033
Noise Filter:	
SPST Switch.....	HP 3101-0163
100 k2 Resistor	HP 0757-0465
100 MF Capacitor.....	HP 0180-0094

NOTE

An HP Model 432A Power Meter with a Model 478A Thermistor Mount can be used for this test. However, a 10 dB attenuator, such as the Model 8491A OPT 10, must be used with the mount. This will slightly degrade measurement accuracy.

PERFORMANCE TESTS

4-24. OUTPUT LEVEL ACCURACY TEST (Complete) (Cont'd)

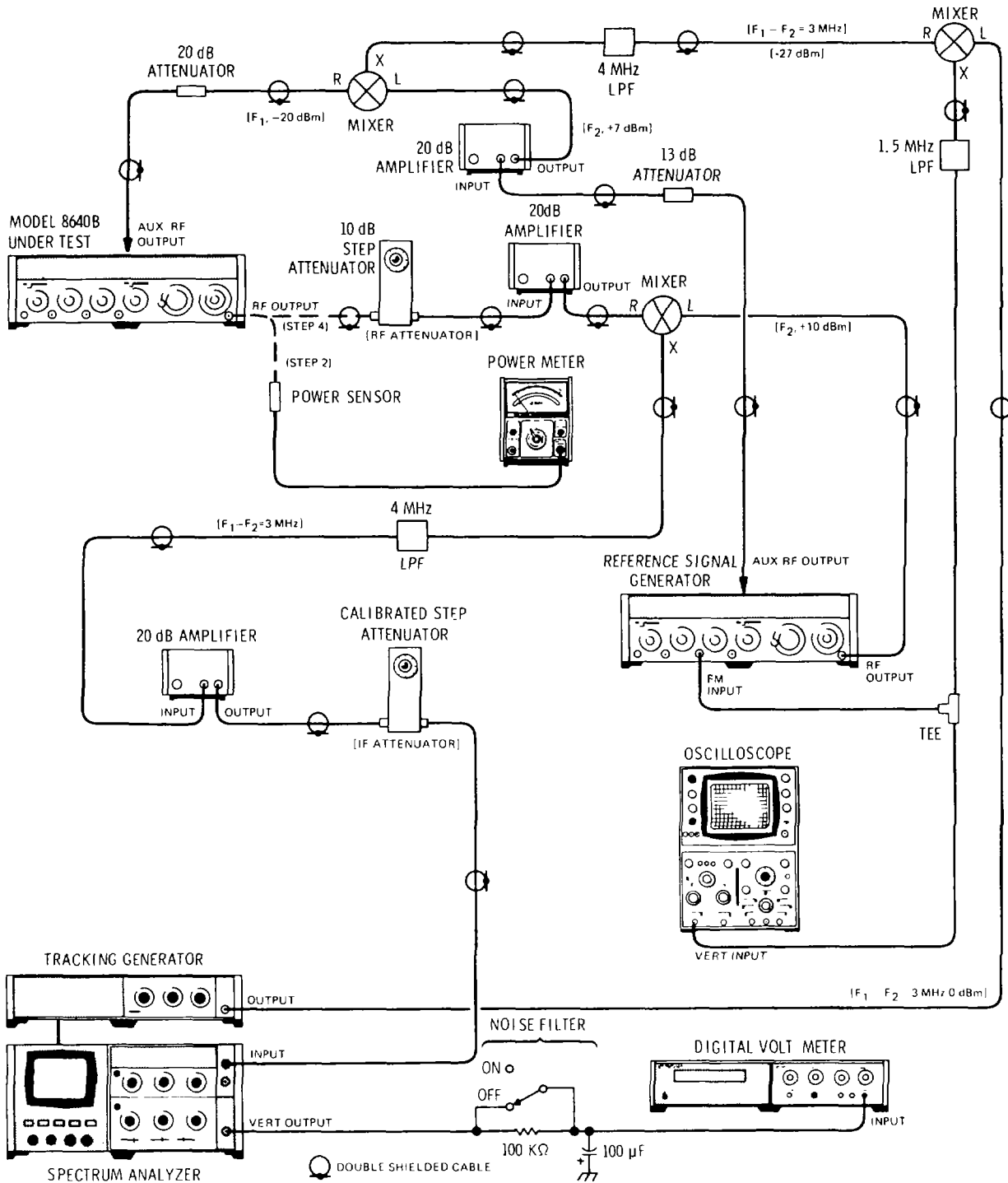


Figure 4-11. Output Level Accuracy Test Setup (Complete).

PERFORMANCE TESTS

4-24. OUTPUT LEVEL ACCURACY TEST (Complete) (Cont'd)

PROCEDURE:

1. Connect power meter and power sensor to the test Signal Generator's RF OUTPUT jack. Set test generator's controls as follows:

```

Meter Function ..... LEVEL
COUNTER MODE: EXPAND ..... Off
                LOCK ..... Off
                Source ..... INT
AM ..... OFF
FM ..... OFF
RANGE ..... 256 - 512 MHz
FREQUENCY TUNE ..... 512 MHz
OUTPUT LEVEL ..... +19 dBm
RF ON/OFF ..... ON
    
```

2. Set power meter's controls so that it can measure +19 dBm. Connect power sensor to test Signal Generator's RF OUTPUT.
3. Set test Signal Generator's RF OUTPUT LEVEL controls for levels (set using generator's panel meter) shown in the table below; verify that the level is within the specified tolerance.

Signal Generator		Power Meter Reading (dBm)
OUTPUT LEVEL Switch	RF Level Set (with Panel Meter)	
Full cw	+19 dBm	+17.5 - +20.5
	+13 dBm	+11.5 - +14.5
	+5 dBm	+3.0 - +7.0
1 step ccw from full cw	+13 dBm	+11.5 - +14.5
	+8 dBm	+6.5 - +9.5
	+3 dBm	+1.5 - +4.5
	-5 dBm	-7.0 - -3.0
2 steps ccw from full cw	+3 dBm	+1.5 - +4.5
3 steps ccw from full cw	-7 dBm	-8.5 - -5.5

PERFORMANCE TESTS

4-24. OUTPUT LEVEL ACCURACY TEST (Complete) (Cont'd)

4. Disconnect power meter and sensor from generator. Connect test generator's RF OUTPUT to the step attenuator as shown in Figure 4-11. Do not change any of the test generator's control settings (particularly the OUTPUT LEVEL vernier).
5. Set reference signal generator for 515 MHz signal (with no AM) at +10 dBm. Set its modulation controls for external FM (dc) and 640 kHz peak deviation (FM vernier at maximum).
6. Set the RF attenuator to 50 dB and the IF attenuator to 40 dB.
7. Connect spectrum analyzer to tracking generator. Set analyzer's center frequency controls to 3 MHz with the tuning stabilizer on; set resolution bandwidth to 10 Hz, span width per division (scan width) to 5 kHz, and input attenuation to 10 dB. Set the display controls for a linear display with 0.1 mV/div; set display smoothing (video filter) to 100 Hz and set the tracking generator for 0 dBm output.
8. Set oscilloscope for dc input coupling, vertical to 5 mV/div, and horizontal to 0.5 ms/div.
9. Set digital voltmeter's noise filter to maximum filtering, range to 100V, and function to dc.

NOTE

The noise filter between the analyzer and the DVM can be used instead of, or with, the DVM's noise filter whenever the DVM's reading is obscured by noise. To use this filter, switch it off (if it is on) for approximately two seconds to allow the capacitor to charge, then switch it on; wait approximately 30 seconds to allow the filter to reach the average value of the signal then take the reading.

10. Phase lock the system by tuning the reference signal generator's frequency to center the 3 MHz IF signal on analyzer's display. Set analyzer's span width per division to zero, then tune reference signal generator to indicate phase lock on the oscilloscope (the signal will peak, then become 0 Vdc when phase lock is reached).

NOTE

Care must be taken to ensure that all measurements are taken during phase lock. Also, the tracking generator's tracking adjustment should be periodically checked to ensure that the trace is peaked on the analyzer.

11. Adjust analyzer's display sensitivity controls for a -500 mVdc reading on the DVM. Measure the accuracy of test Signal Generator's output using IF substitution by switching the OUTPUT LEVEL switch in 10 dB steps while switching the IF attenuator (the calibrated 10 dB step attenuator). The DVM should read -500 mVdc \pm 0.5 dB. If necessary, use test generator's OUTPUT LEVEL vernier to reset panel meter to +3 dB.

PERFORMANCE TESTS

4-24. OUTPUT LEVEL ACCURACY TEST (Complete) (Cont'd)

IF Attenuator (dB)	Test Generator OUTPUT LEVEL	DVM Readings (mVdc)
40	-7 dBm	-500 (set)
30	-17 dBm	-472.0 - -529.6
20	-27 dBm	-472.0 - -529.6
10	-37 dBm	-472.0 - -529.6
0	-47 dBm	-472.0 - -529.6

12. Set the RF attenuator to 0 dB and the IF attenuator to 50 dB. use analyzer's display sensitivity controls to set the DVM to the reading noted at the -47 dBm step, then continue. The DVM should read -500 mVdc \pm 1 dB. If necessary, use test generator's OUTPUT LEVEL vernier to reset panel meter to +3 dB.

IF Attenuator (dB)	Test Generator OUTPUT LEVEL	DVM Readings (mVdc)
50	-47 dBm	Set level
40	-57 dBm	-445.6 - -561.0

13. Set the IF attenuator to 30 dB, OUTPUT LEVEL to -67 dBm, and then adjust the OUTPUT LEVEL vernier so that the test Signal Generator's panel meter reads -67 dBm, then continue. The DVM should read -500 mVdc \pm 1 dB.

IF Attenuator (dB)	Test Generator OUTPUT LEVEL	DVM Readings (mVdc)
30	-67 dBm	-445.6 - -561.0
20	-77 dBm	-445.6 - -561.0
10	-87 dBm	-445.6 - -561.0

14. Set the IF attenuator to 0 dB, OUTPUT LEVEL to -97 dBm, and then adjust the OUTPUT LEVEL vernier so that the test generator's panel meter reads -97 dBm. The DVM should read -500 mVdc \pm 1 dB.

-445.6 _____ -561.0 mVdc

PERFORMANCE TESTS

4-24. OUTPUT LEVEL ACCURACY TEST (Complete) (Cont'd)

15. Set the IF attenuator to 30 dB and use analyzer's display sensitivity controls to set the DVM to the reading noted in step 14, then continue. The DVM should read -500 mVdc \pm 1 dB. If necessary, use test generator's OUTPUT LEVEL vernier to reset panel meter to +3 dB.

IF Attenuator (dB)	Test Generator OUTPUT LEVEL	DVM Readings (mVdc)
30	-97 dBm	Set level
20	-107 dBm	-445.6 - -561.0
10	-117 dBm	-445.6 - -561.0
0	-127 dBm	-445.6 - -561.0

16. Set the IF attenuator to 20 dB and use analyzer's display sensitivity controls to set the DVM to the reading noted at the -127 dBm step above, then continue. The DVM should read -500 mVdc \pm 1 dB. If necessary, use test generator's OUTPUT LEVEL vernier to reset panel meter to +3 dB.

IF Attenuator (dB)	Test Generator OUTPUT LEVEL	DVM Readings (mVdc)
20	-127 dBm	Set level
10	-137 dBm	-445.6 - -561.0

17. Set the IF attenuator to 0 dB and adjust the OUTPUT LEVEL vernier so that test Signal Generator's panel meter reads 0.013 pV (-144.75 dBm). The DVM should read --650 mVdc \pm 1.5 dB.

-546.9 _____ -772.5 mVdc

18. Verify the test accuracy by increasing the RF attenuator by 10 dB. The DVM should drop below --300 mVdc. If it does not, check the test setup for RF leakage paths.
19. Check output level accuracy at other output frequencies by setting the two generators for a 3 MHz difference frequency and repeating steps 1 through 18.

PERFORMANCE TESTS

4-25. OUTPUT LEVEL FLATNESS TEST

SPECIFICATION:

Level Flatness: <+0.5 dB flatness from 0.5 to 512 MHz referred to output at 50 MHz. (Flatness applies to +13 to -7 dBm and for top 10 dB of vernier range.)

DESCRIPTION:

A power meter is used to measure output level flatness across each band.

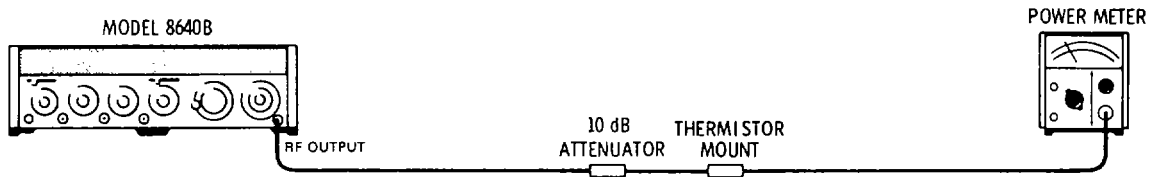


Figure 4-12. Output Level Flatness Test Setup.

EQUIPMENT:

Power Meter.....	HP 432A
Thermistor Mount.....	HP 478A OPT H63
10 dB Attenuator.....	HP 8491A OPT 10

NOTE

The mount's VSWR should be 1.1:1 max. The attenuator's VSWR should be 1.06:1 max with flatness ± 0.05 dB from 0.5 to 512 MHz.

PROCEDURE:

1. Connect equipment as shown in Figure 4-12 after setting Signal Generator's controls as follows:

Meter Function.....	LEVEL
COUNTER MODE: EXPAND.....	Off
LOCK.....	Off
Source.....	INT
AM.....	OFF
FM.....	OFF
RANGE.....	32 - 64 MHz
FREQUENCY TUNE.....	50 MHz
OUTPUT LEVEL.....	+13 dBm (Vernier max cw)
RF ON/OFF.....	ON

PERFORMANCE TESTS

4-25. OUTPUT LEVEL FLATNESS TEST (Cont'd)

2. Adjust OUTPUT LEVEL vernier for a power meter reading of +3 dBm at 50 MHz. Using RANGE and FREQUENCY TUNE controls, slowly tune -Signal Generator from 512 MHz to 0.5 MHz. On each range, note maximum and minimum power meter readings in dBm.
3. The overall maximum reading and the overall minimum reading should both be within 0.5 dB of the reading at 50 MHz.

_____ 0.5 dB

4-26. OUTPUT IMPEDANCE TEST (In Band)

SPECIFICATION:

Impedance: 50Ω ac coupled, 40 Vdc maximum, VSWR <2.0 on 2V and 1V output ranges; <1.3 on all other ranges.

DESCRIPTION:

The generator's output signal is reflected back into the RF OUTPUT jack by a coaxial short at the end of an adjustable stub (a variable length of air-line). This reflected signal is re-reflected by any mismatch at the jack. The re-reflected signal combines with the output signal according to the relative phase and magnitude of the two signals. The combined signal is monitored by a directional coupler and then measured by a voltmeter. Maximum and minimum power levels are noted as the electrical length of the stub is varied (i.e., the distance from the RF OUTPUT jack to the coaxial short is varied). VSWR is then calculated from the formula

$$\text{VSWR} = \frac{V_{\text{max}}}{V_{\text{min}}}$$

PERFORMANCE TESTS

4-26. OUTPUT IMPEDANCE TEST (In Band) (Cont'd)

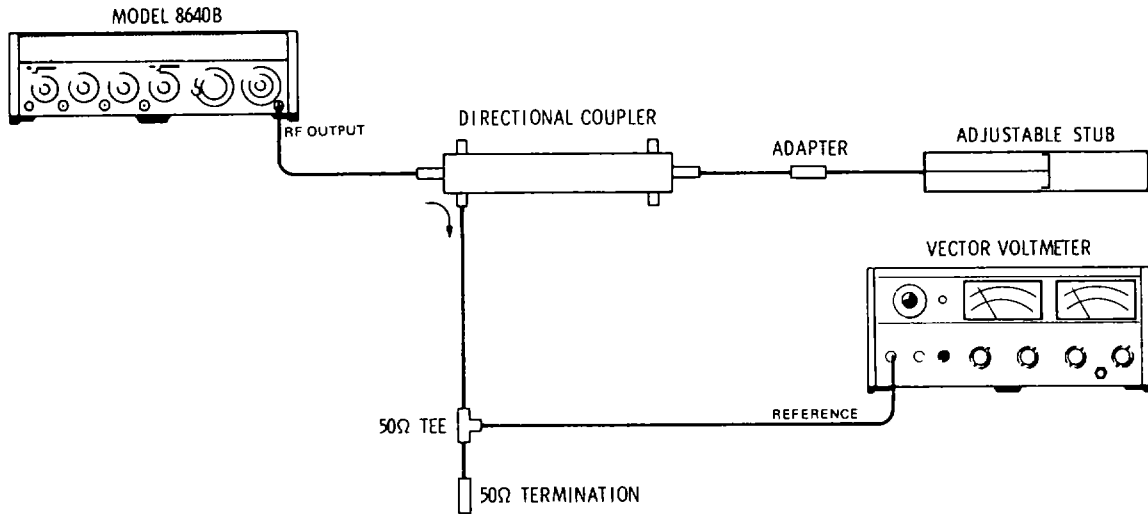


Figure 4-13. Output Impedance Test Setup (In Band).

EQUIPMENT:

Directional Coupler.....	HP 778D OPT 12
Adapter (Male Type N to GR 874)	HP 1250-0847
Adjustable Stub.....	General Radio 874-D50L
Vector Voltmeter	HP 8405A
509Ω Tee.....	HP 11536A
502Ω Termination	HP 908A

PROCEDURE:

1. Connect equipment as shown in Figure 4-13 after setting Signal Generator's controls as follows:

Meter Function.....	LEVEL
COUNTER MODE: EXPAND	Off
LOCK	Off
Source	INT
AM	OFF
FM	OFF
RANGE.....	256 - 512 MHz
FREQUENCY TUNE.....	512 MHz
OUTPUT LEVEL	±10 dBm (Switch 1 step ccw from full cw)
RF ON/OFF	ON

PERFORMANCE TESTS

4-26. OUTPUT IMPEDANCE TEST (In Band) (Cont'd)

2. Set voltmeter so that it can measure 100 mV. Adjust the stub for a minimum indication on power meter. Adjust generator's OUTPUT LEVEL vernier for a 50 mV indication on voltmeter (V_{min}).
3. Adjust the stub for a maximum indication on voltmeter. The voltmeter should indicate <100 mV (V_{max}).

_____ 100 mV
4. Set generator's OUTPUT LEVEL switch one step ccw to 0 dBm. Set voltmeter so that it can measure 30 mV. Adjust the stub for a minimum indication on voltmeter. Adjust generator's OUTPUT LEVEL vernier for a 10 mV indication on voltmeter (V_{min}).
5. Adjust the stub for a maximum indication on voltmeter. The voltmeter should indicate <13 mV (V_{max}) 13 mV 6.
6. Set generator's OUTPUT LEVEL switch one step ccw to -10 dBm. Set voltmeter so that it can measure 10 mV. Adjust the stub for a minimum indication on voltmeter. Adjust generator's OUTPUT LEVEL vernier for a 5 mV indication on voltmeter (V_{min}).
7. Adjust the stub for a maximum indication on voltmeter. The voltmeter should indicate <6.5 mV (V_{max}).
8. If desired, repeat at other frequencies between 256 and 512 MHz.

NOTE

The steps given above effectively check VSWR at all settings of the output attenuator (see Service Sheet 13).

4-27. OUTPUT IMPEDANCE TEST (Out of Band)

SPECIFICATION:

Impedance: 50Ω , ac coupled, 40 Vdc maximum, VSWR <2.0 on 2V and 1V output ranges; <1.3 on all other ranges.

DESCRIPTION:

A tracking generator is used as an external 50Ω signal source to feed a VSWR bridge. The output port of the bridge is connected to a spectrum analyzer. The through port of the bridge is connected to a short circuit to establish a reference, then to the generator output. Return loss versus frequency is displayed on the spectrum analyzer.

PERFORMANCE TESTS

4-27. OUTPUT IMPEDANCE TEST (Out of Band) (Cont'd)

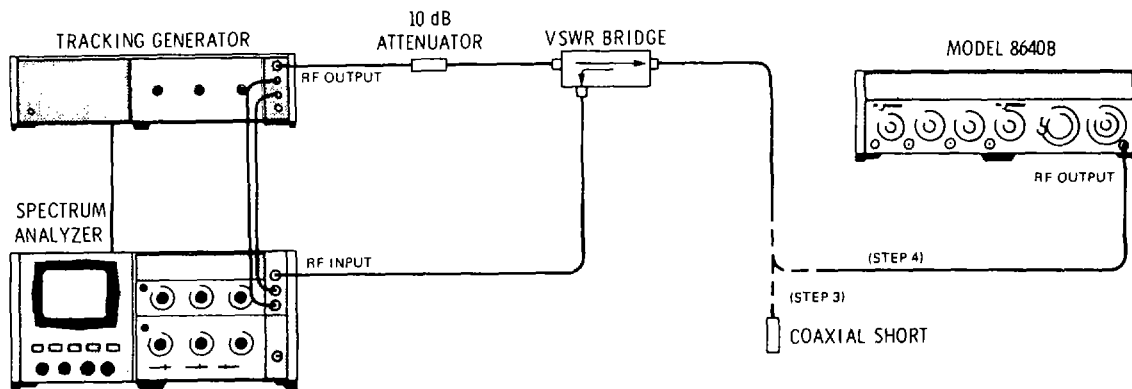


Figure 4-14. Output Impedance Test Setup (Out of Band).

EQUIPMENT:

Tracking Generator	HP 8444A
Spectrum Analyzer.....	HP 8554B/8552B/141T
VSWR Bridge	Wiltron 60N50
Coaxial Short	HP 11512A
10 dB Attenuator	HP 8491A OPT 10

PROCEDURE:

1. Connect equipment as shown in Figure 4-14 after setting Signal Generator's controls as follows:

AM	OFF
FM	OFF
RANGE	256 - 512 MHz
FREQUENCY TUNE	Full cw
OUTPUT LEVEL	+19 dBm
RF ON/OFF	OFF

2. Set spectrum analyzer for a frequency span of 50 550 MHz, 300 kHz resolution bandwidth, and 20 dB input attenuation. Set tracking generator output level to 0 dBm.
3. To establish a reference level, connect coaxial short to bridge output port. Use the spectrum analyzer's vertical scale, logarithmic level controls to set the reference level trace to the top of the analyzer display.
4. Remove coaxial short and couple bridge output port to Signal Generator's RF OUTPUT connector. The difference, in dB, from the reference level established in step 3 to the level now visible on the display is the return loss of the generator's output port. The return loss should be >9.5 dB from 50 to 512 MHz (VSWR <2.0:1).

9.5 dB _____

PERFORMANCE TESTS

4-27. OUTPUT IMPEDANCE TEST (Out of Band) (Cont'd)

- 5. Set generator's FREQUENCY TUNE control fully ccw and repeat steps 3 and 4. Return loss should be >9.5 dB from 50 to 512 MHz.

9.5 dB _____

- 6. Set generator's OUTPUT LEVEL switch two steps ccw to --1 dBm and repeat steps 3 and 4. Return loss should be >17.7 dB from 50 to 512 MHz (VSWR <1.3:1).

17.7 dB _____

- 7. Set generator's FREQUENCY TUNE control fully cw and repeat steps 3 and 4. Return loss should be >17.7 dB from 50 to 512 MHz.

17.7 dB _____

4-28. AUXILIARY OUTPUT TEST

SPECIFICATION:

Auxiliary Output: Rear panel BNC output is >-5 dBm into 50Ω, source impedance is approximately 500Ω.

DESCRIPTION:

The power level from the generator's rear panel Auxiliary RF Output jack is measured with a power meter as the Signal Generator is tuned from 512 MHz to 500 kHz.

EQUIPMENT:

Power Meter HP 432A
 Thermistor Mount HP 478A OPT H63

PROCEDURE:

- 1. Connect power meter's thermistor mount to generator's rear panel Auxiliary Output jack after setting Signal Generator's controls as follows:

COUNTER MODE: EXPAND Off
 LOCK Off
 Source INT
 AM OFF
 FM OFF
 RANGE 256 - 512 MHz
 FREQUENCY TUNE 512 MHz
 RF ON/OFF ON

PERFORMANCE TESTS

4-28. AUXILIARY OUTPUT TEST (Cont'd)

- Use generator's FREQUENCY TUNE and RANGE controls to tune from 512 to 0.5 MHz. The power meter should read >-5 dBm at all frequencies.

-5 dBm _____

4-29. OUTPUT LEAKAGE TEST

SPECIFICATION:

Leakage: (With all unused outputs terminated properly). Leakage limits are below those specified in MIL-1-6181D. Furthermore, less than 3 MV is induced in a 2-turn, 1-inch diameter loop 1 inch away from any surface and measured into a 50Ω receiver.

DESCRIPTION:

A loop antenna is held one inch from all surfaces of the Signal Generator and any leakage monitored with a spectrum analyzer. The loop antenna is suspended in a molding so that when the molding is in contact with a surface, the loop antenna is one inch from the surface.

NOTE

The use of a screen room may be necessary to reduce external radiated interference.

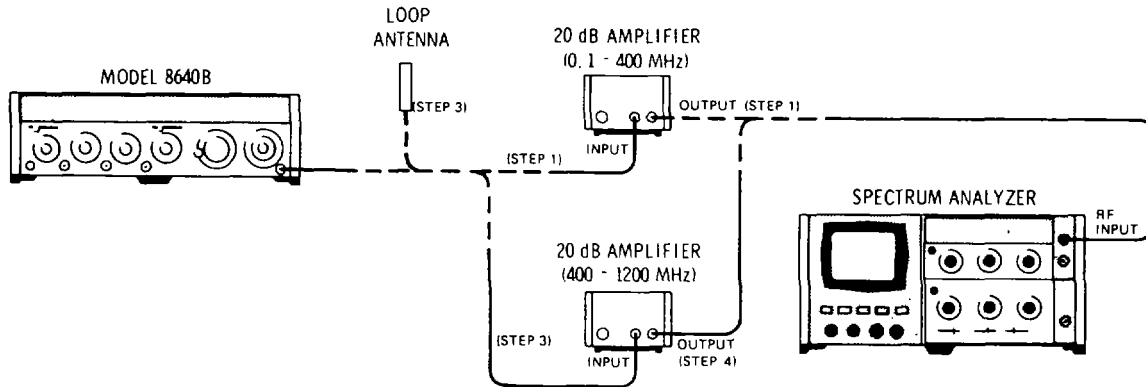


Figure 4-15. Output Leakage Test Setup.

NOTE

To avoid disturbing antenna's field and causing measurement error, grasp antenna at the end that has the BNC connector.

PERFORMANCE TESTS

4-29. OUTPUT LEAKAGE TEST (Cont'd)

EQUIPMENT:

RF ON/OFFON
 One-Inch Loop AntennaHP 08640-60501
 20 dB Amplifier (0.5 - 400 MHz) HP 8447A
 20 dB Amplifier (400 - 1200 MHz) HP 8447B
 Spectrum Analyzer..... HP 141T/8552B/8554B
 50 Ohm Load (6 required) HP 11593A

PROCEDURE:

1. Connect equipment as shown in Figure 4-15 (with Signal Generator connected to spectrum analyzer through 0.5 - 400 MHz amplifier) after setting Signal Generator's controls as follows:

Meter Function LEVEL
 COUNTER MODE: EXPAND Off
 LOCK..... Off
 Source INT
 AM OFF
 FM OFF
 RANGE 64 -128 MHz
 FREQUENCY TUNE 100 MHz
 OUTPUT LEVEL -107 dBm
 RF ON/OFF ON

2. Set spectrum analyzer's resolution bandwidth to 10 kHz, input attenuation to 0 dB, frequency span per division (scan width) to 20 MHz, scale to log (10 dB per division), scale reference level controls to -50 dBm, and scale center frequency controls to 100 MHz. Calibrate the analyzer by using the scale reference level controls to set the -107 dBm signal from the generator to the -37 dB graticule line on the display. Disconnect generator from analyzer and connect 50 ohm terminations to generator's output ports (including the Auxiliary RF Output on rear panel).
3. Connect one-inch loop antenna to analyzer through 0.5 400 MHz amplifier. Hold end of loop antenna cylinder in contact with all surfaces of Signal Generator; set analyzer's center frequency controls to 300 MHz and repeat. All signals and noise should be below the -27 dB graticule line on analyzer's display (below -97 dBm) from 0.5 to 400 MHz.

-97 dBm_____

4. Replace 0.5 400 MHz amplifier with 400 1200 MHz amplifier. Set analyzer's center frequency controls to 500 MHz; set generator's RANGE control to 256 512 MHz and FREQUENCY TUNE control to 500 MHz, and connect generator to analyzer and calibrate analyzer as specified in step 2. Then reterminate RF OUTPUT, reconnect loop antenna to analyzer and hold end of loop antenna cylinder in contact with all surfaces of generator. All signals and noise should be below the -27 dB graticule line on analyzer's display (below -97 dBm) from 400 MHz to 600 MHz.

-97 dBm_____

PERFORMANCE TESTS

4-29. OUTPUT LEAKAGE TEST (Cont'd)

5. Set the analyzer's center frequency controls to 700, 900, and 1100 MHz. Hold the end of the loop antenna cylinder in contact with all surfaces of the generator at each frequency setting. All signals and noise should be below the -27 dB graticule line (below -97 dBm) from 600 MHz to 1200 MHz.

-97 dBm _____

4-30. INTERNAL MODULATION OSCILLATOR TEST

SPECIFICATION:

Standard:

- Frequency: fixed 400 Hz and 1000 Hz $\pm 2\%$.
- Output Level: indicated 10 mVrms to 1 Vrms into 600 ohms.

Option 001:

- Frequency: variable 20 Hz to 600 kHz +10% in 5, decade continuous bands plus fixed 400 Hz and 1000 Hz $\pm 2\%$.
- Output Level: 20 mVrms to 3 Vrms into 600 ohms.

DESCRIPTION:

The internal modulation oscillator output is measured with a voltmeter and a frequency counter to verify its frequency range and accuracy and its level.

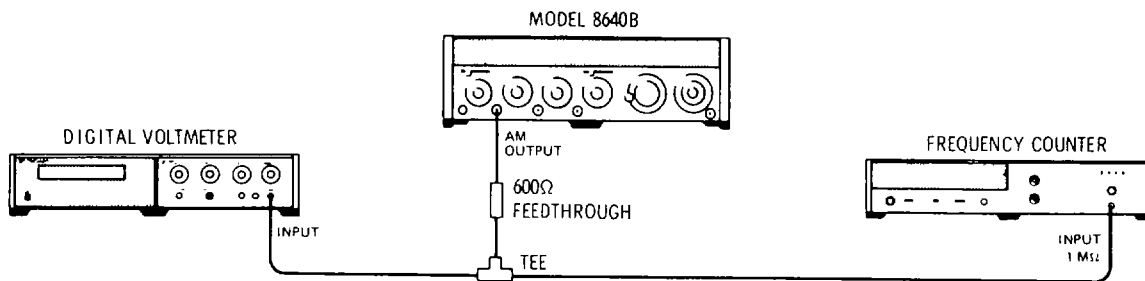


Figure 4-16. Internal Modulation Oscillator Test Setup.

EQUIPMENT:

- Frequency Counter..... HP 5327C
- Digital Voltmeter HP 3480B/3484A
- 600 Ohm Feedthrough Termination HP 11095A

PERFORMANCE TESTS

4-31. INTERNAL MODULATION OSCILLATOR DISTORTION TEST (Option 001) (Cont'd)

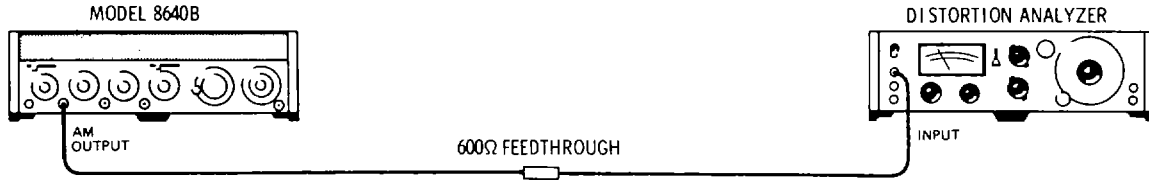


Figure 4-17. Internal Modulation Oscillator Distortion Test Setup.

EQUIPMENT:

- Distortion Analyzer HP 333A
- 600 Ohm Feedthrough HP 11095A

PROCEDURE:

1. Connect equipment as shown in Figure 4-17 after setting Signal Generator's controls as follows:

- AM INT
- AUDIO OUTPUT LEVEL 3V
- MODULATION FREQUENCY As specified
- FM OFF

2. Set the MODULATION FREQUENCY controls to various frequencies within the variable ranges shown below. At each frequency tested, calibrate the distortion analyzer and measure the distortion. It should be as shown.

Frequency Range	Distortion
20 Hz to 2 kHz	<0.5%
2 kHz to 600 kHz	<1.0%

3. Set the MODULATION FREQUENCY controls to the 400 Hz and 1 kHz fixed frequencies. Distortion at both frequencies should be below 0.25%.

400 Hz: _____ 0.25%
 1 kHz: _____ 0.25%

PERFORMANCE TESTS

4-32. AM 3 dB BANDWIDTH TEST

SPECIFICATION:

AM 3 dB Bandwidth:

Frequency Bands	0 to 50% AM	50 to 90% AM
0.5 - 2 MHz	20 kHz	12.5 kHz
2 - 8 MHz	40 kHz	25 kHz
8 - 512 MHz	60 kHz	50 kHz

DESCRIPTION:

An audio spectrum analyzer is used to measure the 3 dB bandwidth. The analyzer is set to sweep over the specified audio frequency range and its tracking generator output is used to amplitude modulate the Signal Generator. The generator's RF output is detected and fed to the analyzer's input. Amplitude variation is measured on the analyzer's display.

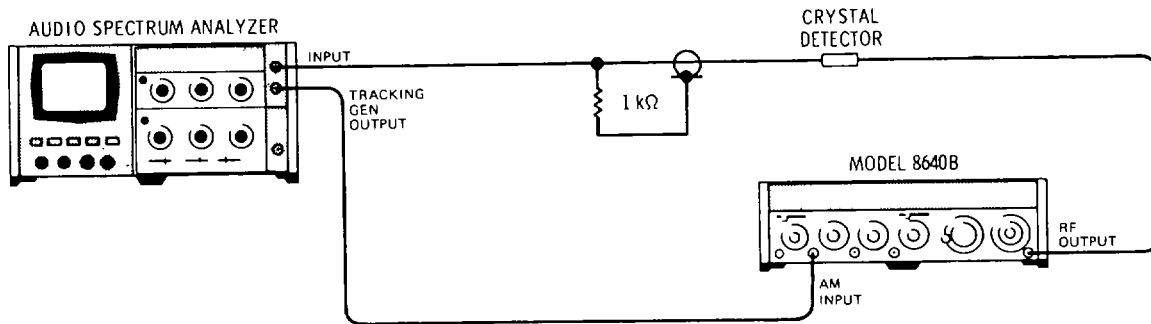


Figure 4-18. AM 3 dB Bandwidth Test Setup.

EQUIPMENT:

- Audio Spectrum Analyzer..... HP 141T/8552B/8556A
- Crystal DetectorHP 8471A
- 1 kΩ Resistor HP 0757-0280

PERFORMANCE TESTS

4-32. AM 3 dB BANDWIDTH TEST (Cont'd)

PROCEDURE:

1. Connect equipment as shown in Figure 4-18 after setting Signal Generator's controls as follows:

Meter FunctionAM
 COUNTER MODE: EXPAND Off
 LOCK Off
 Source INT
 AM DC
 MODULATION Full cw
 FM OFF
 RANGE 8 -16 MHz
 FREQUENCY TUNE 8 MHz
 OUTPUT LEVEL +3 dBm (Vernier full cw)
 RF ON/OFF ON

2. Set analyzer's center frequency controls to 1 kHz, fixed (not scanning) and adjust tracking generator's output level controls for 50% AM as indicated on Signal Generator's panel meter.
3. Now set spectrum analyzer's resolution bandwidth to 1 kHz, and set frequency span (scan width) controls for a zero to 100 kHz span. Set display for 2 dB per division.
4. Set analyzer's display reference level controls to display the detected sweep. Slowly tune Signal Generator from 8 to 16 MHz while noting amplitude variations from 0 60 kHz on the display. The variation should be <3 dB referenced to the level at 1 kHz.

_____3 dB

5. Set analyzer and Signal Generator as shown below. At each RANGE switch setting, repeat the procedure outlined in steps 2 through 4, except set analyzer for the frequency and %AM shown. The amplitude variation should, in each case, be <3 dB.

Signal Generator RANGE	% AM (Tracking Gen. Level)	Frequency Span	Amplitude Variation
8 -16 MHz	90%	0 to 50 kHz	3 dB
4 - 8 MHz	50%	0 to 40 kHz	3 dB
4 - 8 MHz	90%	0 to 25 kHz	3 dB
1 - 2 MHz	50%	0 to 20 kHz	3 dB
1 - 2 MHz	90%	0 to 12.5 kHz	3 dB

PERFORMANCE TESTS

4-33. AM DISTORTION TEST

SPECIFICATION:

AM Distortion: (at 400 Hz and 1 kHz rates)

Frequency Bands	0 - 50% AM	50 - 90% AM
0.5 - 512 MHz	<1%	<3%

DESCRIPTION:

A spectrum analyzer (used to demodulate the AM) is connected to RF OUTPUT, and percent of AM is set; a distortion analyzer is connected to the analyzer's vertical output and used to measure AM distortion.

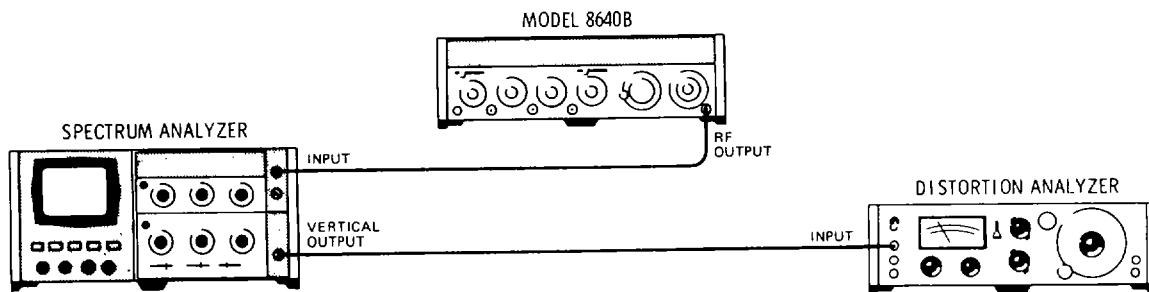


Figure 4-19. AM Distortion Test Setup.

EQUIPMENT:

- Spectrum Analyzer HP 141T/8552B/8554B
- Distortion Analyzer HP 333A

PROCEDURE:

1. Connect equipment as shown in Figure 4-19 after setting Signal Generator's controls as follows:

- Meter FunctionAM
- COUNTER MODE: EXPAND Off
- LOCK Off
- Source INT
- AMOFF
- MODULATION Full ccw

PERFORMANCE TESTS

4-33. AM DISTORTION TEST (Cont'd)

MODULATION FREQUENCY 1000 Hz
 FM OFF
 RANGE 256 - 512 MHz
 FREQUENCY TUNE 512 MHz
 OUTPUT LEVEL -17 dBm (Vernier full cw)
 RF ON/OFF ON

2. Set spectrum analyzer's resolution bandwidth to 300 kHz, input attenuation to 20 dB, frequency span per division (scan width) to 10 MHz, scale to linear, and adjust center frequency and scale reference level controls to center the 512 MHz signal on the display. Set frequency span per division to 0 Hz and display smoothing (video filter) to 10 kHz. Peak trace on display with center frequency controls; set trace to the center of display with reference level controls.
3. Set generator's AM switch to INT and adjust MODULATION control for 50% modulation as read on generator's panel meter.
4. Calibrate the distortion analyzer for 1 kHz. Measure and record distortion; it should be less than 1% with trace peaked on analyzer display.

_____ 1%

5. Use generator's MODULATION control to set AM percent to 70% and 90%; calibrate the distortion analyzer and measure distortion at each modulation depth. Distortion should be less than 3% with trace peaked on analyzer display.

70% AM: _____ 3%
 90% AM: _____ 3%

6. Increase generator's RF OUTPUT LEVEL one step cw and reduce the vernier to give -17 dBm. Repeat steps 3 to 5.

4-34. AM SENSITIVITY AND ACCURACY TEST

SPECIFICATION:

External AM Sensitivity: (400 Hz and 1 kHz rates)
 (0.1 ± 0.005)% AM per mV peak into 600Ω with AM vernier at full CW position.

Indicated AM Accuracy: (400 Hz and 1 kHz rates using internal meter)
 ±8% of reading on 0 - 10 scale
 ±9% of reading on 0 - 3 scale (for greater than 10% of full scale).

PERFORMANCE TESTS

4-34. AM SENSITIVITY AND ACCURACY TEST (Cont'd)

DESCRIPTION:

AM sensitivity accuracy and meter accuracy are measured by comparing the actual amount of amplitude modulation to the level of the input modulating signal. A spectrum analyzer is used to demodulate the AM. The analyzer is used with zero frequency span at the carrier frequency. A DVM is used to measure the ac and dc voltages at the analyzer's vertical output, and the dc value of the carrier is set to 282.8 mVdc; the rms value of the modulation is then a very accurate measure of AM percent (% AM is 1/2 the ac voltage in mVrms).

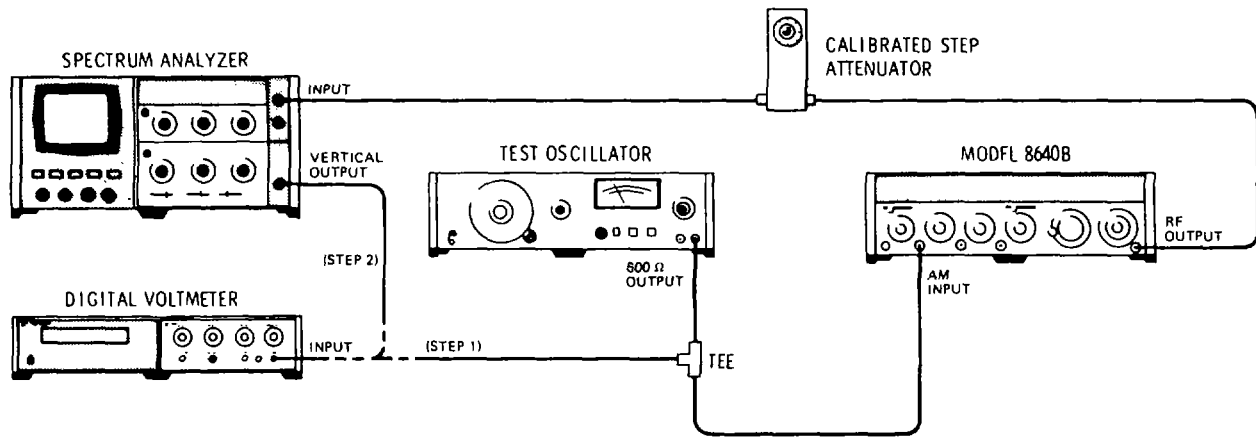


Figure 4-20. AM Sensitivity and Accuracy Test Setup.

EQUIPMENT:

- Spectrum Analyzer..... HP 141T/8552B/8554B
- Digital Voltmeter HP 3480B/3484A
- Test Oscillator HP 652A
- Calibrated Step Attenuator HP 355D OPT H36

PROCEDURE:

1. Connect equipment as shown in Figure 4-20 after setting Signal Generator's controls as follows:

- Meter FunctionAM
- COUNTER MODE: EXPAND Off
- LOCK Off
- Source INT
- AM A C
- MODULATION Full cw

PERFORMANCE TESTS

4-34. AM SENSITIVITY AND ACCURACY TEST (Cont'd)

FMOFF
 RANGE 256 - 512 MHz
 FREQUENCY TUNE 512 MHz
 OUTPUT LEVEL-27 dBm (switch 5 steps ccw from
 full cw, vernier full cw)
 RF ON/OFFON

2. Set test oscillator for a 1 kHz, 636.39 mVrms signal as read on DVM (90% AM). Disconnect DVM from test oscillator (leave oscillator connected to generator). Connect DVM to spectrum analyzer's vertical output. Set calibrated step attenuator to 0 dB.
3. Set spectrum analyzer's resolution bandwidth to 300 kHz, input attenuation to 20 dB, frequency span per division (scan width) to 20 kHz (tuning stabilizer on), scale to linear, and adjust center frequency and scale reference level controls to center the 512 MHz signal on the display. Set frequency span per division to 0 Hz and display smoothing (video filter) to 10 kHz. Peak the trace on the display with the center frequency controls; set the trace to the center of the display with the reference controls.

NOTE

Step 4 measures the analyzer's dc offset (V_{off}) and must be performed to ensure the accuracy of this test. However if V_{off} for the analyzer being used has recently been measured and noted, skip step 4 and go on to step 5 (and eliminate the calibrated step attenuator from the test setup).

4. Measure analyzer's dc offset (V_{off}) by performing steps "a" through "f".
 - a. Set generator's controls as follows:

Meter Function LEVEL
 AMOFF
 RANGE2 - 4 MHz
 FREQUENCY TUNE3 MHz

- b. Set analyzer's center frequency controls to 3 MHz.
- c. Adjust analyzer's reference level controls for -500 mVdc indicated on DVM ($V_{DET 1}$)
- d. Set step attenuator to 20 dB. Note DVM reading ($V_{DET 2}$)
- e. Calculate V_{off} where

$$V_{off} = - \frac{V_{DET 2} - \infty V_{DET 1}}{1 - \infty}$$

PERFORMANCE TESTS

4-34. AM SENSITIVITY AND ACCURACY TEST (Cont'd)

and $a = V_{RF 2} / V_{RF 1}$ (i.e., $a =$ attenuation; for 20 dB it is 0.1)

therefore

$$V_{off} = \frac{V_{DET 2} + 50 \text{ mVdc}}{0.9}$$

- f. Reset step attenuator to 0 dB, Signal Generator as specified in step 1, and spectrum analyzer as specified in step 3.
- 5. To calibrate the spectrum analyzer for the percent of AM measurement, use the analyzer's reference level controls to set $-282.8 \text{ mV} + V_{off}$ at vertical output (as measured on the DVM). For example, if V_{off} is $+50.0 \text{ mV}$, then set $-282.8 \text{ mV} + (+50.0 \text{ mV})$ or -232.8 mV at vertical output. (Check that trace is peaked on analyzer display.)
- 6. To measure modulation percent, set DVM to measure mVrms (ac only). The DVM should read $180 \text{ mVrms} + 5\%$. (Check that trace is peaked on analyzer display.)

External Sensitivity Accuracy: $171.0 \text{ --- } 189.0 \text{ mVrms}$

- 7. To check indicated accuracy, set test oscillator's amplitude controls for a reading of 9 (90% AM) on the 0 10 scale of generator's panel meter. The DVM should read $180 \text{ mVrms} + 8\%$. (Check that trace is peaked on analyzer display.)

$165.6 \text{ --- } 194.4 \text{ mVrms}$

- 8. Set the test oscillator's amplitude controls for the panel meter readings shown below. The DVM should read as specified. (After each reading, check that trace is peaked on analyzer display.)

% AM	Panel Meter		Digital Voltmeter Reading	
	Reading (Set)	Scale		
70%	7	0 - 10	128.8 _____	151.2 mVrms
50%	5	0-10	92.0 _____	108.0 mVrms
30%	either 3 or 3	0 - 10 0 - 3	55.2 _____	64.8 mVrms
20%	2	0 - 3	54.6 _____	65.4 mVrms
10%	1	0 - 3	36.4 _____	43.6 mVrms
			18.2 _____	1.8 mVrms

NOTE

30% AM may be set on either the 0 - 10 scale or the 0 - 3 scale, depending upon whether 30% is approached from above or below.

PERFORMANCE TESTS

4-35. PEAK INCIDENTAL PHASE MODULATION TEST

SPECIFICATION:

Peak Incidental PM (at 30% AM):
 Less than 0.15 radians, 0.5 to 128 MHz.
 Less than 0.3 radians, 128 to 512 MHz.

DESCRIPTION:

A vector voltmeter is used to compare the phase of the signal into the generator's modulation amplifier with the phase of the same signal (modulated at a 0.1 Hz rate) at the RF OUTPUT port. The signal is supplied by the generator's own oscillator and divider circuits and has low incidental PM.

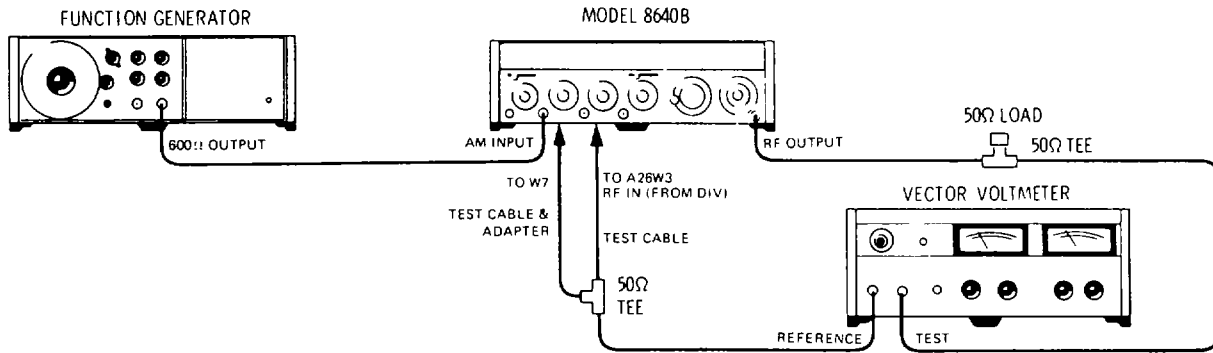


Figure 4-21. Peak Incidental Phase Modulation Test Setup

EQUIPMENT:

Function Generator	HP 3300A
Vector Voltmeter	HP 8405A
50 Ohm Tee (2 required).....	HP 11536A
50 Ohm Load	HP 11593A
Test Cable (2 required)	HP 11592-60001
Adapter	HP 1250-0827

PERFORMANCE TESTS

4-35. PEAK INCIDENTAL PHASE MODULATION TEST (Cont'd)

WARNING

This test is performed with power supplied to the instrument while protective covers are removed. Be careful when performing this test. Line voltage is always present on terminals including the power input connector, fuse holder, power switch, etc. In addition, when the instrument is on, energy available at many points may result in personal injury or death when contacted.

Capacitors inside the instrument may still be charged even if the instrument has been disconnected from its line power source.

PROCEDURE:

- 1. Disconnect instrument from the line power source. Remove bottom cover from Signal Generator. Remove semi-rigid coaxial cable W7 from jack A26W3 labeled RF IN (FROM DIV). Connect one test cable from the tee to A26W3, connect other test cable, with adapter, from the tee to W7. Connect instrument to line power source. Allow one hour warm-up time before continuing with this test.

NOTE

See the last foldout sheet in this manual for component identification.

- 2. Finish connecting equipment as shown in Figure 4-21 after setting Signal Generator's controls as follows:

Table with 2 columns: Control Name and Setting. Includes Meter Function (.AM), COUNTER MODE: EXPAND (Off), LOCK (Off), Source (INT), AM (DC), FM (OFF), RANGE (256 - 512 MHz), FREQUENCY TUNE (512 MHz), OUTPUT LEVEL (-7 dBm), RF ON/OFF (ON).

- 3. Set function generator for 1 kHz at approximately 500 mVrms and adjust Signal Generator's MODULATION control for 30% AM as read on Signal Generator's panel meter. Set function generator for 0.1 Hz. (The % AM remains the same. The low rate is necessary for the vector voltmeter's metering circuitry.)
- 4. Set Signal Generator's AM switch to OFF. Set vector voltmeter's frequency range to 300 600 MHz. Zero the voltmeter's phase meter.
- 5. Set Signal Generator's AM switch to DC. The vector voltmeter's phase meter should indicate less than ±17.2° of deviation (maximum).

-----17.2°

PERFORMANCE TESTS

4-35. PEAK INCIDENTAL PHASE MODULATION TEST (Cont'd)

6. Set Signal Generator's RANGE to 64 128 MHz, FREQUENCY TUNE to 128 MHz and repeat steps 3 through 5 (except set vector voltmeter frequency range to 80 150 MHz). The voltmeter's phase meter should indicate less than +8.6° of deviation (maximum).

-----+8.6°

7. Disconnect instrument from the line power source. Remove test cables, reconnect cable W7 to jack A26W3 and replace bottom cover. Connect instrument to line power source. Allow one hour warm-up time before continuing with this test.

8. Check Signal Generator for correct RF output on each frequency range.

WARNING

Capacitors inside the instrument may still be charged even if the instrument has been disconnected from its line power source.

4-36. PULSE MODULATION TEST

SPECIFICATION:

Pulse Modulation (specifications apply for top 10 dB of output vernier range):

Frequency Bands (MHz)	0.5 - 1	1 - 2	2 - 8	8 - 32	32 - 512
Rise and Fall Times	<9 μs	<4 μs	<2 μs	<1 μs	
Pulse Repetition Rate	50 Hz to 50 kHz		50 Hz to 100 kHz	50 Hz to 250 kHz	50 Hz to 500 kHz
Pulse Width Minimum for Level Accuracy within 1 dB of CW (>0.1% duty cycle)	10 us		5 is	2 us	

PERFORMANCE TESTS

4-36. PULSE MODULATION TEST (Cont'd)

DESCRIPTION:

A pulse generator is used to pulse modulate the Signal Generator. The RF pulse output is detected and displayed and measured on an oscilloscope. For RF outputs above 32 MHz, a reference signal generator and a mixer are used to down-convert the signal to within the range of the oscilloscope.

NOTE

If a high frequency oscilloscope is available, such as the HP 183C/1830A/1840A, the above measurement may be made directly to frequencies slightly beyond the oscilloscope's nominal bandwidth. Use the oscilloscope's 5092 input.

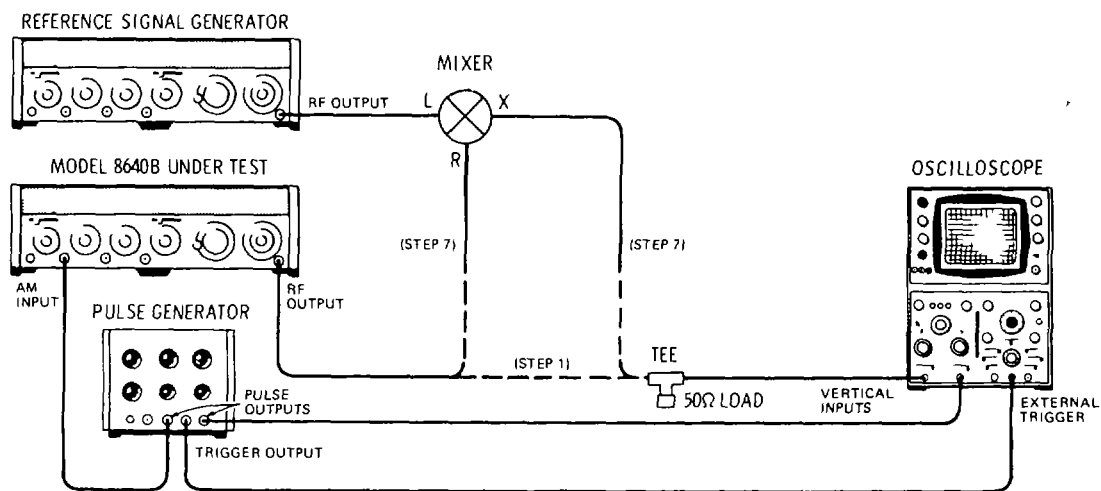


Figure 4-22. Pulse Modulation Test Setup

EQUIPMENT:

Reference Signal Generator.....	HP 8640A
Mixer.....	HP 10514A
50 Ohm Load	HP 11593A
Pulse Generator	HP 8003A
Oscilloscope.....	HP 180A/1801A/1820C
Crystal Detector	HP 8471A

NOTE

The reference signal generator should have a frequency range of 20 500 MHz with an output of +7 dBm.

PERFORMANCE TESTS

4-36. PULSE MODULATION TEST (Cont'd)

PROCEDURE:

- 1. Connect equipment as shown in Figure 4-22, with oscilloscope connected directly to test generator's RF OUTPUT, after setting test Signal Generator's controls as follows:

Meter FunctionLEVEL
 COUNTER MODE: EXPANDOff
 LOCKOff
 SourceINT
 AMPULSE
 FMOFF
 RANGE0.5 -1 MHz
 FREQUENCY TUNE1 MHz
 OUTPUT LEVEL-17 dBm (Vernier full cw)
 RF ON/OFFON

- 2. Set pulse generator for a repetition rate of 100 Hz, a pulse width of 10 us, and an amplitude of 1V.
- 3. Adjust oscilloscope to display the RF pulse envelope. Readjust the pulse width for 10 us (measured at 50% amplitude points) and measure the rise and fall times (see Figure 4-23). Both should be less than 9 Ps (measured between 10% and 90% of the full pulse amplitude).

Rise Time: _____ 9 μs
 Fall Time: _____ 9 μs

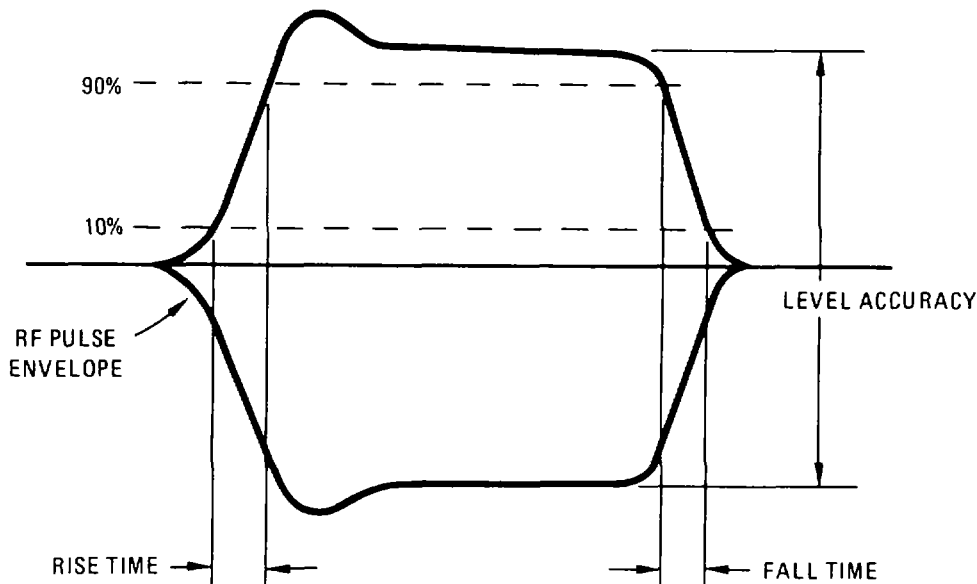


Figure 4-23. Pulse Measurements

PERFORMANCE TESTS

4-36. PULSE MODULATION TEST (Cont'd)

4. Set test Signal Generator's AM switch to OFF and adjust oscilloscope's vertical controls for 6 divisions of deflection on the display (peak to peak).
5. Set test Signal Generator's AM switch to PULSE. Pulse amplitude (peak to peak) on oscilloscope's display should be 5.4 to 6.7 divisions.

Level Accuracy 5.4 _____ 6.7 div

6. Repeat steps 1 through 5 for the frequency ranges shown below. The rise and fall times and level accuracy should be as specified.

Signal Generator Frequency RANGE	Pulse Generator		Rise Time	Fall Time	Level Accuracy
	Pulse Rate	Pulse Width			
1 - 2 MHz	100 Hz	μs	<4,us	<4 μs	5.4 _____ 6.7 div
2 - 4 MHz	200 Hz	5 us	<2 us	<2 μs	5.4 _____ 6.7 div
4 - 8 MHz	200 Hz	5 μs	<2 /is	<2 μs	5.4 _____ 6.7 div
8 - 16 MHz	500 Hz	2 μs	<1 us	<1 μs	5.4 _____ 6.7 div
16 - 32 MHz	500 Hz	2 μs	<1 μs	<1 μs	5.4 _____ 6.7 div

7. Connect test generator to mixer and mixer to oscilloscope (across 50 ohm load).
8. Repeat steps 2 through 5 for the frequency ranges shown below. At each frequency range, set the pulse generator as specified, and set the reference signal generator for an output frequency 10 MHz below the output frequency of the test generator. The reference generator's output should be at +7 dBm with no modulation.

Signal Generator Frequency RANG E	Pulse Generator		Rise Time	Fall Time	Level Accuracy
	Pulse Rate	Pulse Width			
32 - 64 MHz	500 Hz	2 μs	<1 μs	<1 μs	5.4 _____ 6.7 div
64 - 128 MHz	500 Hz	2 μs	<1 μs	<1 μs	5.4 _____ 6.7 div
128 - 256 MHz	500 Hz	2 μs	<1 μs	<1 μs	5.4 _____ 6.7 div
256 - 512 MHz	500 Hz	2 μs	<1 μs	<1 μs	5.4 _____ 6.7 div

9. Increase the test Signal Generator's RF OUTPUT LEVEL one step cw and reduce the vernier to give -17 dBm. Repeat steps 3 to 8.

PERFORMANCE TESTS

4-37. PULSE ON/OFF RATIO TEST

SPECIFICATION:

Pulse ON/OFF ratio at maximum vernier: >40 dB.

DESCRIPTION:

The on/off ratio of the pulse modulation circuits is measured with a spectrum analyzer.

EQUIPMENT:

Spectrum Analyzer..... HP 141T/8552B/8554B

PROCEDURE:

1. Connect generator's RF OUTPUT to analyzer's input after setting Signal Generator's controls as follows:

Meter Function LEVEL
 COUNTER MODE: EXPAND Off
 LOCK Off
 Source INT
 AM OFF
 FM OFF
 RANGE 256 - 512 MHz
 FREQUENCY TUNE 256 MHz
 OUTPUT LEVEL -7 dBm (Vernier full cw)
 RF ON/OFF ON

2. Set spectrum analyzer's input attenuation to 20 dB. Adjust center frequency controls to center the 256 MHz signal on the display. Adjust scale reference level controls to set the signal to the top (0 dB) graticule line with the scale controls set to display 10 dB per division.

3. Set generator's AM switch to PULSE. The signal on the analyzer's display should decrease more than 40 dB.

40 dB _____

4. Repeat steps 1 through 3 with the RANGE switch set to each of its other positions. At each position, the signal on the analyzer's display should decrease more than 40 dB.

40 dB _____

PERFORMANCE TESTS

4-38. FM 3 dB BANDWIDTH TEST

SPECIFICATION:

FM 3 dB Bandwidth:
 Internal and external AC; 20 Hz to 250 kHz.
 External DC; dc to 250 kHz.

DESCRIPTION:

An audio spectrum analyzer is used to measure the 3 dB bandwidth. The analyzer is set to sweep over the specified audio frequency range and its tracking generator output is used to frequency modulate the Signal Generator. The generator's RF output is demodulated with an FM discriminator. The demodulated signal is fed to the analyzer's input and any amplitude variation is measured on the analyzer's display. Bandwidth is checked at maximum deviation on the 8 16 MHz band.

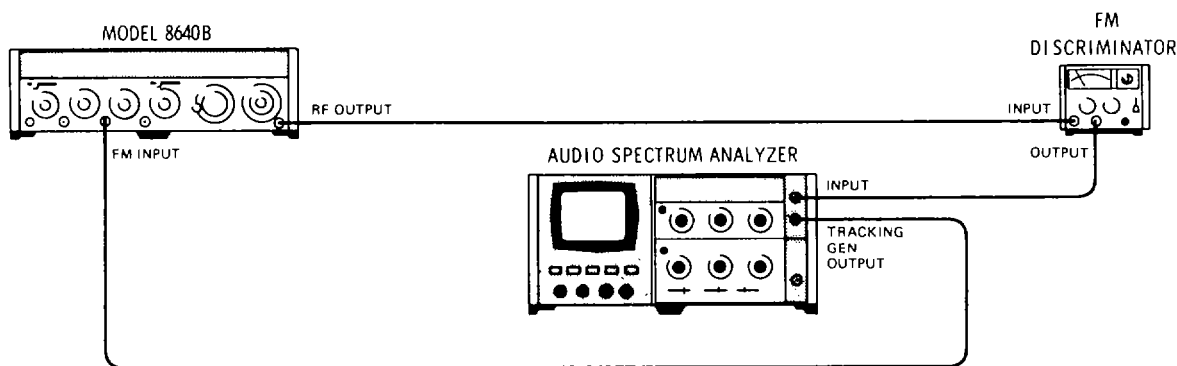


Figure 4-24. FM 3 dB Bandwidth Test Setup

EQUIPMENT:

- Audio Spectrum Analyzer..... HP 141T/8552B/8556A
- FM Discriminator..... HP 5210A
- Filter Kit (For Discriminator)..... HP 10531A

PROCEDURE:

1. Connect equipment as shown in Figure 4-24 after setting Signal Generator's controls as follows:

- Meter FunctionFM
- COUNTER MODE: EXPANDOff
- LOCKOff
- SourceINT

PERFORMANCE TESTS

4-38. FM 3 dB BANDWIDTH TEST (Cont'd)

AM OFF
 FM OFF
 PEAK DEVIATION 80 kHz
 PEAK DEVIATION Vernier Full cw
 RANGE 8 -16 MHz
 FREQUENCY TUNE 8 MHz
 OUTPUT LEVEL +13 dBm
 RF ON/OFF ON

2. Prepare a 1 MHz Butterworth low-pass filter and install it in the discriminator. Set discriminator's range to 10 MHz and input sensitivity to 1V.
3. Set Signal Generator's FM switch to DC. Set spectrum analyzer's resolution bandwidth to 3 kHz and its center frequency controls to 1 kHz (with no sweep). Set analyzer's tracking generator output level for 80 kHz peak deviation as read on generator's panel meter. Set the analyzer's frequency controls for a 0 to 250 kHz sweep. Set the analyzer's display for 2 dB per division; adjust the display reference level controls to display the demodulated sweep.
4. Measure the sweep on the analyzer's display. Total amplitude variation from 20 Hz to 250 kHz should be <3 dB.

_____ 3 dB

NOTE

If the FM discriminator's incidental AM rejection is insufficient, the generator could appear to be out of specification. To check the discriminator, note analyzer's reading (in dBm), set generator's AM switch to AC and connect analyzer's tracking generator output to AM INPUT. Set MODULATION for 10% as read on panel meter. The analyzer should read >30 dB below the reading noted above. If it does not, adjust discriminator sensitivity and trigger level (or generator's OUTPUT LEVEL vernier) until it does. Then repeat steps 2 through 6.

4-39. FM DISTORTION TEST

SPECIFICATION:

FM Distortion: (at 400 and 1000 Hz rates)
 <1% for deviations up to 1/8 maximum allowable.
 <3% for maximum allowable deviation.

PERFORMANCE TESTS

4-39. FM DISTORTION TEST (Cont'd)

DESCRIPTION:

The Signal Generator is modulated with a 1 kHz signal. The generator's RF output is then demodulated with an FM discriminator and the distortion on the discriminator output is measured with a spectrum analyzer.

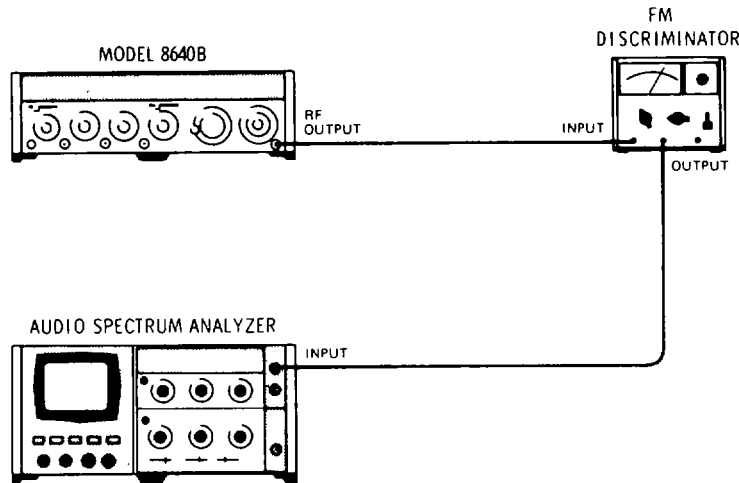


Figure 4-25. FM Distortion Test Setup

EQUIPMENT:

- FM Discriminator HP 5210A
- Filter Kit (For Discriminator) HP 10531A
- Audio Spectrum Analyzer HP 141T/8552B/8556A

PROCEDURE:

1. Connect equipment as shown in Figure 4-25 after setting Signal Generator's controls as follows:

- Meter Function FM
- COUNTER MODE: EXPAND Off
- LOCK Off
- Source INT
- AM OFF
- MODULATION FREQUENCY 1 kHz (Fixed)
- FM INT
- PEAK DEVIATION 80 kHz
- PEAK DEVIATION Vernier Full cw
- RANGE 8 -16 MHz
- FREQUENCY TUNE 8 MHz
- OUTPUT LEVEL +13 dBm (Vernier full cw)
- RF ON/OFF ON

PERFORMANCE TESTS

4-39. FM DISTORTION TEST (Cont'd)

2. Using the filter kit, prepare a 1 MHz Butterworth low-pass filter and install it in the discriminator.
3. Set discriminator's range to 10 MHz and sensitivity to 1V.
4. Set spectrum analyzer's resolution bandwidth to 100 Hz and its center frequency controls for a 0 to 5 kHz span. Set the display for 10 dB per division.
5. Use generator's PEAK DEVIATION vernier to set 80 kHz of peak deviation (as read on panel meter). Use analyzer's display reference level controls to set the demodulated 1 kHz signal to the top (reference) graticule line on the display.
6. Note the level of the 1 kHz signal's harmonics (2 kHz, 3 kHz, etc.). For less than 3% distortion, they should be more than 30.5 dB below the reference graticule line.

Maximum Deviation: 30.5 dB_____

7. Set generator's PEAK DEVIATION switch to 10 kHz. If necessary, use generator's PEAK DEVIATION vernier to set 10 kHz of peak deviation; use analyzer's display reference level controls to set the demodulated 1 kHz signal to the reference graticule line.
8. For less than 1% distortion, the 1 kHz signal's harmonics should be more than 40 dB below the reference graticule line.

1/8 Maximum Deviation: 40 dB_____

4-40. FM SENSITIVITY AND ACCURACY TEST**SPECIFICATION:**

External FM Sensitivity: 1 volt peak yields maximum deviation indicated on PEAK DEVIATION switch with FM vernier at full cw position.

External FM Sensitivity Accuracy: +6% from 15° to 35°C for FM excluding max peak deviation position. Maximum peak deviation position, +9% typically.

Indicated FM Accuracy: (400 Hz and 1 kHz rates using internal meter) +10% of meter reading (for greater than 10% of full scale).

DESCRIPTION:

The Signal Generator's FM sensitivity is checked using the carrier (Bessel) null technique. An externally applied 1 Vpk signal is used to FM the generator. The modulation signal's frequency is adjusted for the first order null of the carrier and the frequency is measured to find peak deviation. (For the first order null of the carrier, peak deviation equals 2.405 times the modulation rate.) The panel meter accuracy is found by comparing its reading to the given peak deviation. The reference generator and mixer convert the signal into the range of the spectrum analyzer.

PERFORMANCE TESTS

4-40. FM SENSITIVITY AND ACCURACY TEST (Cont'd)

NOTE

The ambient temperature must be within 15° to 35°C for this test.

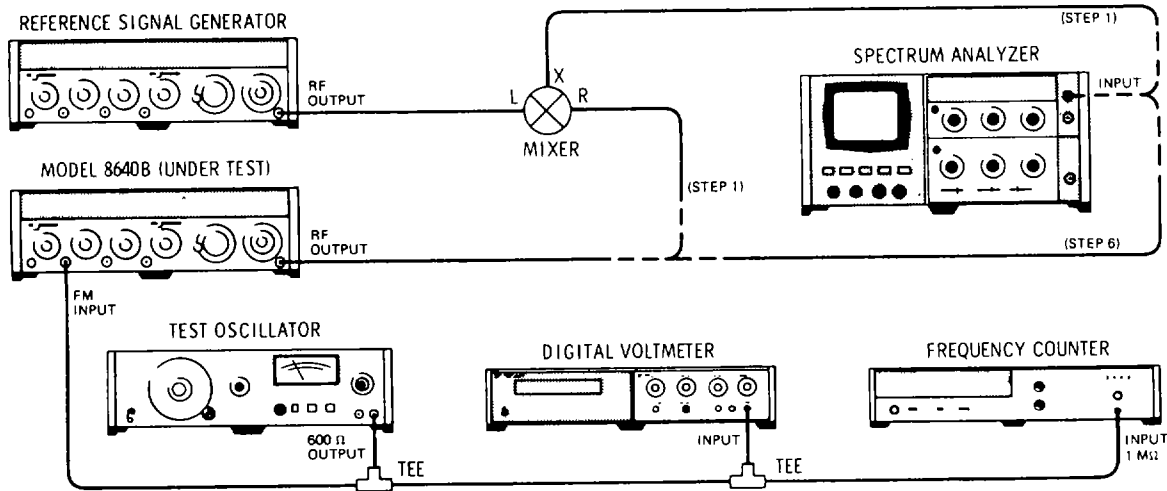


Figure 4-26. FM Sensitivity and Accuracy Test Setup

EQUIPMENT:

- Test Oscillator HP 652A
- Digital Voltmeter HP 3480B/3484A OPT 043
- Frequency Counter..... HP 5327C
- Spectrum Analyzer..... HP 141T/8552B/8553B
- Reference Signal Generator..... HP 8640A
- Mixer HP 10514A

NOTE

The reference signal generator should have frequency drift and residual FM specifications equivalent to the Model 8640A.

PROCEDURE:

1. Connect equipment as shown in Figure 4-26 (with test Signal Generator connected to mixer, and mixer connected to analyzer) after setting test generator's controls as follows:

- Meter Function FM
- COUNTER MODE: EXPAND Off
- LOCK Off
- Source INT

PERFORMANCE TESTS

4-40. FM SENSITIVITY AND ACCURACY TEST (Cont'd)

AMOFF
 FMOFF
 PEAK DEVIATION5 kHz
 PEAK DEVIATION VernierFull cw
 RANGE.....256 - 512 MHz
 FREQUENCY TUNE512 MHz
 OUTPUT LEVEL -7 dBm
 RF ON/OFFON

2. Set reference signal generator for a 513 MHz, CW signal at +13 dBm.
3. Set spectrum analyzer's center frequency controls to 1 MHz, input attenuation to 20 dB, resolution bandwidth to 0.1 kHz, span width per division (scan width) to 1 kHz, and set display to 10 dB per division. Set reference level controls to put peak of the signal at top (log reference) graticule line on the display.
4. To check external sensitivity, set test oscillator for a 0.7071 Vrms signal (read on DVM) at approximately 2.079 kHz. Set test generator's FM switch to AC and fine tune test oscillator's frequency for the first carrier null on analyzer's display (at least 50 dB below the top graticule line). With the frequency counter, measure frequency of modulating signal. It should be 2.079 kHz +6% (i.e., 5 kHz +6% peak deviation).

1.954 _____ 2.204 kHz

5. Use the procedures given above to check the remaining bands by setting the test Signal Generator's RANGE switch as shown below. As shown in steps 1 through 4, on each range set FM to OFF and tune the generators for a 1 MHz difference. Set the reference on the analyzer, set FM to AC (with a 0.7071 Vrms modulating signal at approximately 2.079 kHz) and tune the modulating signal's frequency for the first carrier null. The signal's frequency should be as shown.

RANGE (MHz)	FREQUENCY TUNE	Reference Generator Frequency	Mod. Signal Frequency (kHz)
128-256	256 MHz	257 MHz	1.954 _____ 2.204
64-128	128 MHz	129 MHz	1.954 _____ 2.204
32-64	64 MHz	65 MHz	1.954 _____ 2.204
16-32	32 MHz	33 MHz	1.954 _____ 2.204
8-16	16 MHz	17 MHz	1.954 _____ 2.204
4-8	8 MHz	9 MHz	1.954 _____ 2.204
2-4	4 MHz	5 MHz	1.954 _____ 2.204
1-2	2 MHz	3 MHz	1.954 _____ 2.204

PERFORMANCE TESTS

4-40. FM SENSITIVITY AND ACCURACY TEST (Cont'd)

6. To check indicated accuracy, set test Signal Generator's RANGE control to 256 512 MHz and FREQUENCY TUNE to 500 MHz. Set reference signal generator for a 501 MHz, CW signal at +13 dBm. Set test generator's FM switch to OFF and tune both generators for a 1 MHz signal at the top graticule line on the analyzer's display.
7. Set test signal Generator's FM switch to AC, set test oscillator's frequency for approximately 2.079 kHz, and adjust oscillator's amplitude controls for a reading of 5 (i.e., 5 kHz) on test generator's panel meter (O 5 scale). Tune oscillator's frequency for the first carrier null on the analyzer's display (at least 50 dB below the top graticule line). With frequency counter, measure frequency of modulating signal. It should be 2.079 kHz + 10%.

1.871 _____ 2.287 kHz

8. Use procedures given in steps 6 and 7 to check indicated accuracy on the remaining bands by setting test generator's RANGE switch as shown below. On each range, set FM to OFF and tune generators for a 1 MHz difference. Set reference on analyzer, set FM to AC (with modulating signal's amplitude set for a test generator panel meter reading of 5 and its frequency set to approximately 2.079 kHz). Then tune modulating signal's frequency for first carrier null. The signal's frequency should be as shown.

RANGE (MHz)	FREQUENCY TUNE	Reference Generator Frequency	Mod. Signal Frequency (kHz)
128-256	256 MHz	257 MHz	1.871 _____ 2.287
64-128	128 MHz	129 MHz	1.871 _____ 2.287
32-64	64 MHz	65 MHz	1.871 _____ 2.287
16-32	32 MHz	33 MHz	1.871 _____ 2.287
8-16	16 MHz	17 MHz	1.871 _____ 2.287
4-8	8 MHz	9 MHz	1.871 _____ 2.287
2-4	4 MHz	5 MHz	1.871 _____ 2.287
1-2	2 MHz	3 MHz	1.871 _____ 2.287

9. Disconnect test Signal Generator and analyzer from mixer and connect test generator directly to analyzer. Set RANGE to 0.5 1 MHz, FREQUENCY TUNE to 1 MHz, FM to OFF, and reset reference on analyzer's display. Set FM to AC (with modulating signal's amplitude set for a test generator panel meter reading of 5 and its frequency set to approximately 2.079 kHz). Then tune the signal's frequency for the first carrier null. The signal's frequency should be 2.079 kHz + 10%.

1.871 _____ 2.287 kHz

PERFORMANCE TESTS

4-41. INCIDENTAL AM TEST

SPECIFICATION:

Incidental AM: (at 400 Hz and 1 kHz rates)
 <0.5% AM for FM up to 1/8 max. allowable deviation.
 <1% AM for FM at max. allowable deviation.

DESCRIPTION:

An audio signal is used to amplitude modulate the Signal Generator. The resulting modulated RF is detected and used to calibrate an oscilloscope. The generator is then frequency modulated and any incidental AM is measured with the oscilloscope.

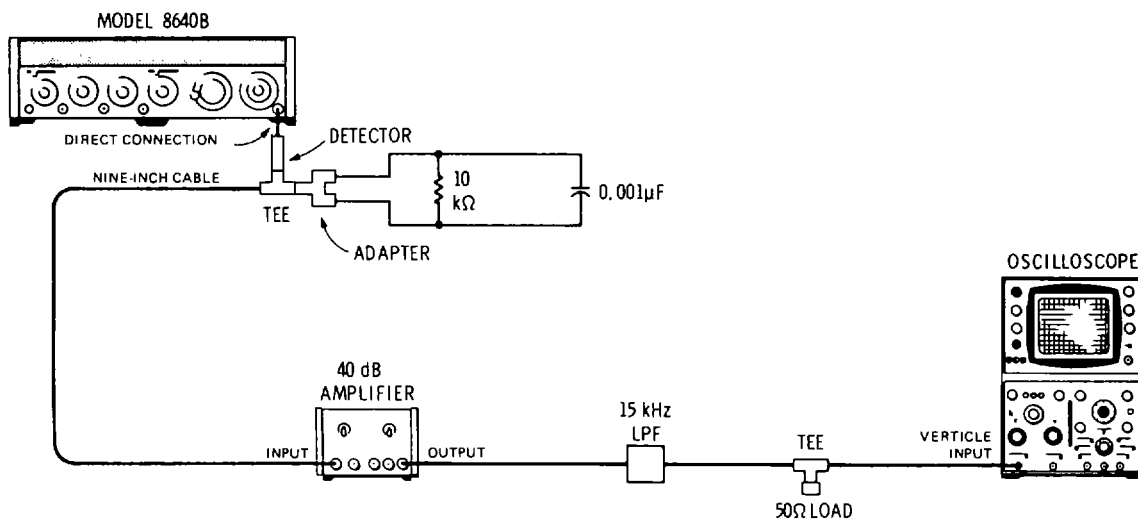


Figure 4-27. Incidental AM Test Setup

EQUIPMENT:

Crystal Detector	HP 423A
15 kHz Low Pass Filter (LPF)	CIR-Q-TEL 7 Pole
40 dB Amplifier	HP 465A
Oscilloscope.....	HP 180A/1801A/1820C
50 Ohm Load	HP 11593A
Nine-Inch Cable	HP 10502A
Adapter	HP 10110A
0.001 μF Capacitor	HP 0160-0153
10 kΩ Resistor	HP 0757-0442

PERFORMANCE TESTS

4-41. INCIDENTAL AM TEST (Cont'd)

PROCEDURE:

1. Connect equipment as shown in Figure 4-27 (with network, adapter, tee, and detector connected as shown) after setting Signal Generator's controls as follows:

Meter FunctionAM
 COUNTER MODE: EXPAND Off
 LOCK Off
 Source INT
 AM INT
 MODULATION Full ccw
 MODULATION FREQUENCY 1 kHz
 FM OFF
 PEAK DEVIATION 2.56 MHz
 PEAK DEVIATION Vernier Full cw
 RANGE 256 - 512 MHz
 FREQUENCY TUNE 256 MHz
 OUTPUT LEVEL +13 dBm (Vernier full cw)
 RF ON/OFF ON

2. Set MODULATION for 10% AM as read on panel meter.
3. Adjust oscilloscope's vertical gain controls so that the 1 kHz signal has 8 divisions of peak-to-peak deflection (i.e., 1.25% AM per division).
4. Set generator's AM switch to OFF and FM switch to INT. Set Meter Function to FM and set PEAK DEVIATION vernier for 2.56 MHz. Increase oscilloscope sensitivity by 10. Using generator's FREQUENCY TUNE control, tune across the band and record the maximum incidental AM read on the oscilloscope. It should be less than 1% (8 divisions peak-to-peak on the display).

Maximum Deviation: _____ 1%

5. Set PEAK DEVIATION switch to 320 kHz. Again, using the generator's FREQUENCY TUNE control, tune across the band. Incidental AM should be less than 0.5% (4 divisions peak-to-peak on the display).

1/8 Maximum Deviation: _____ 0.5%

NOTE

Incidental AM is usually worse case on the 256 512 MHz band. If desired, it can be checked on any other band using this test except that on the 0.5 to 16 MHz bands the capacitor across the resistor at the detector's output must be changed to 0.033, F (HP 0160-0163); on the 16 to 512 MHz bands, the 0.001/ F capacitor (shown in the test setup) must be used.

PERFORMANCE TESTS

4-42. COUNTER EXTERNAL SENSITIVITY TEST

SPECIFICATION:

External RF Input:

Frequency Range: 1 Hz to 550 MHz

Sensitivity: 100 mVrms, ac only, into 50 Ω (-7 dBm).

DESCRIPTION:

A test oscillator and the Signal Generator's own RF output are used to verify the counter's range and sensitivity.



Figure 4-28. Counter External Sensitivity Test Setup

EQUIPMENT:

Test Oscillator HP 652A

PROCEDURE:

1. Connect RF OUTPUT to COUNTER INPUT as shown in Figure 4-28 after setting Signal Generator's controls as follows:

Meter Function LEVEL
 COUNTER MODE: EXPAND Off
 LOCK..... Off
 Source INT
 TIME BASE VERNIER CAL
 AM OFF
 FM OFF
 RANGE 256 - 512 MHz
 FREQUENCY TUNE 550 MHz
 OUTPUT LEVEL 100 VOLTS
 RF ON/OFF ON

PERFORMANCE TESTS

4-42. COUNTER EXTERNAL SENSITIVITY TEST (Cont'd)

2. Set COUNTER MODE Source to EXT 0 550. Slowly tune Signal Generator to 0.5 MHz using RANGE and FREQUENCY TUNE. The counter should indicate the frequency of the signal at RF OUTPUT at all frequencies.

0.5 to 550 MHz _____(v)

3. Disconnect RF OUTPUT from COUNTER INPUT. Connect the oscillator to COUNTER INPUT and set it for 500 kHz at 100 mVrms into 50 ohms. Slowly tune oscillator to 20 Hz. The counter should indicate the frequency of the signal from the test oscillator at all frequencies.

20 Hz to 500 kHz _____(v)

4. Set COUNTER MODE Source to EXT 0 10 and slowly tune oscillator from 20 Hz to 10 MHz. The counter should indicate the frequency of the signal from the test oscillator at all frequencies.

20 Hz to 10 MHz _____(v)

4-43. INTERNAL REFERENCE ACCURACY TEST

SPECIFICATION:

Accuracy: (after calibration at 25°C and 2-hour warm-up)

Better than ± 1 ppm for 15° to 35°C.

Better than ± 3 ppm for 0° to 55°C.

DESCRIPTION:

A frequency counter is used to measure the Signal Generator's counter accuracy. A temperature controlled chamber is used to set the temperature.



Figure 4-29. Internal Reference Accuracy Test Setup

PERFORMANCE TESTS

4-43. INTERNAL REFERENCE ACCURACY TEST (Cont'd)

EQUIPMENT:

Frequency Counter..... HP 5327C OPT H49
 Temperature Controlled Chamber Statham Model 325

PROCEDURE:

1. Connect equipment as shown in Figure 4-29. Check that TIME BASE REF INT/EXT switch on the rear panel is set to INT.
2. Set chamber for various temperatures between 150 and 350C. At each temperature, allow generator to stabilize for two hours, then measure the frequency. It should be 5 MHz \pm 5 Hz.

4,999,995_____5,000,005 Hz

3. Set the chamber for various temperatures between 0° and 55°C. Again, allow the generator to stabilize for two hours at each temperature and measure the frequency. It should be 5 MHz \pm 15 Hz.

4,999,985_____5,000,015 Hz

4-44. INTERNAL REFERENCE DRIFT RATE (STABILITY) TEST

SPECIFICATION:

Drift Rate: (after 2-hour warm-up)

Time: <0.05 ppm per hr., <2 ppm per yr.

Temperature: <2 ppm total variation for room ambient 150 to 350C.

Line Voltage: <0.1 ppm.

NOTE

Because the phase lock mode references the generator's RF oscillator to the counter's frequency reference, the following frequency specifications are also checked in this test.

Frequency Stability (phase lock mode):

Time: <0.05 ppm/hr.

Temperature: <2 ppm total variation (room ambient 150 to 35°C).

Line Voltage (+5% to -10% change): <0.1 ppm.

Load (with any passive load change): None measurable.

Level Change (10 dB on output level vernier): None measurable.

Mode Change (CW to FM): None measurable.

PERFORMANCE TESTS

4-44. INTERNAL REFERENCE DRIFT RATE (STABILITY) TEST (Cont'd)

DESCRIPTION:

After a two-hour warm-up period, the internal reference is measured with a frequency counter, a digital to analog converter, and a strip-chart recorder; frequency variations are noted as the specified changes are made. A quartz oscillator is used as a time standard when measuring drift as a function of time and line voltage change.

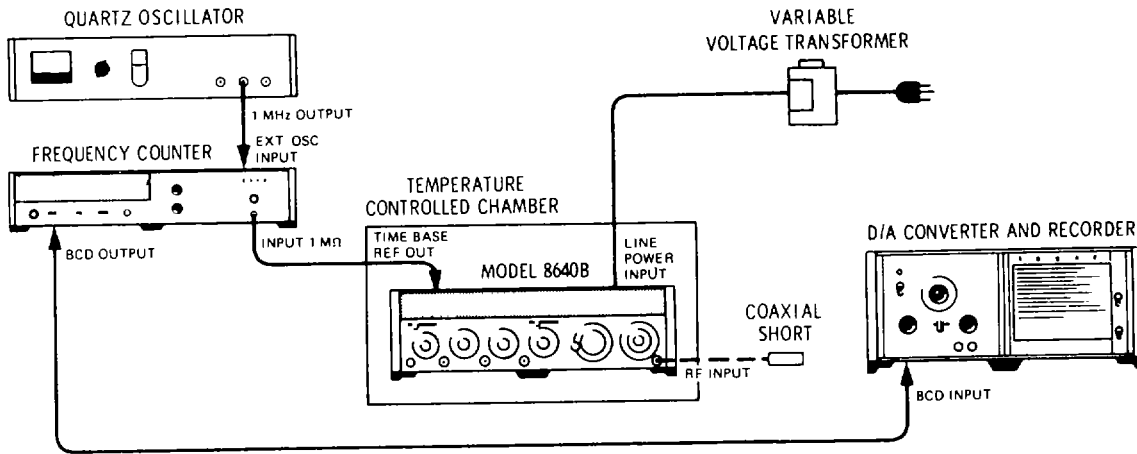


Figure 4-30. Internal Reference Drift Rate (Stability) Test Setup

EQUIPMENT:

Frequency Counter.....	HP 5327C OPT 003
Temperature Controlled Chamber	Statham Model 325
Variable Voltage Transformer.....	GR W5MT3A
Coaxial Short (Type N Male)	HP 11512A
Quartz Oscillator	HP 105B
Digital to Analog Converter	HP 581A OPT 002
Recorder (for D/A Converter)	HP 680

PROCEDURE:

1. Connect equipment as shown in Figure 4-30 after setting Signal Generator's controls as follows:

TIME BASE REF INT/EXT (on rear panel)	INT
COUNTER MODE: LOCK	Off
AM	OFF
FM	OFF

PERFORMANCE TESTS

4-44. INTERNAL REFERENCE DRIFT RATE (STABILITY) TEST (Cont'd)

PEAK DEVIATION 5 kHz
 PEAK DEVIATION Vernier..... Full cw
 RANGE.....0.5 -1 MHz
 OUTPUT LEVEL.....+19 dBm
 RF ON/OFFON

2. Set variable voltage transformer to nominal voltage set on generator's line power module (i.e., 100, 120, 220, or 240 Vac). Set temperature controlled chamber for 25°C. Allow equipment to warm up for two hours.
3. Set frequency counter so that it's using its internal reference oscillator. Set counter to read frequency directly (i.e., not divided down). Use a 1s gate time so that last three digits span from 000 to 999 Hz.
4. Calibrate the recorder for a zero to full-scale reading that corresponds to a 000 to 999 Hz reading of the frequency counter's last three digits.
5. To check drift rate as a function of time and line voltage, now set counter so that it's using the quartz oscillator. Set the counter's time base control for a 10s gate time.

NOTE

The above procedure sets the counter's actual gate time to 100s because the reference being used is 1 MHz instead of the 10 MHz reference the counter normally uses. This means that the counter's reading must be divided by 10 to find the actual frequency of the signal being measured (i.e., the recorder's calibration is 0.00 to 9.99 Hz full scale).

6. Record the generator's internal reference frequency for one hour. The frequency change in one hour should be <0.27 Hz (<0.05 ppm 1 digit counter ambiguity).

Time: _____ 0.27 Hz

NOTE

Any change in line voltage or chamber temperature could make the instrument's drift rate vs time appear to be out of specification.

7. Set variable voltage transformer 5% above the nominal voltage set on generator's line power module (e.g., if nominal line voltage is 120 Vac, set transformer for 126 Vac). Then note the frequency (the counter's indication must be divided by 10).
8. Set variable voltage transformer 10% below nominal line voltage (e.g., for a nominal 120 Vac, set transformer for 108 Vac), then note the reference frequency. The frequency change from the reading noted in step 7 should be <0.52 Hz (< 0.1 ppm +1 digit counter ambiguity).

Voltage: _____ 0.52 Hz

PERFORMANCE TESTS

4-44. INTERNAL REFERENCE DRIFT RATE (STABILITY) TEST (Cont'd)**NOTE**

Any change in chamber temperature could make the instrument's drift rate vs voltage appear out of specification.

9. Reset transformer to nominal line voltage. Set temperature controlled chamber to 150C. Wait two hours to allow generator's internal reference to stabilize, then note its frequency.
10. Set temperature controlled chamber to 35°C. Wait two hours, then note the reference frequency. The frequency change from the reading noted in step 9 should be <10.2 Hz (i.e., <2 ppm +1 digit counter ambiguity).

Temperature: __10.2 Hz

11. Note generator's internal reference frequency, connect coaxial short to RF OUTPUT, then again note reference frequency. Except for the ± 1 digit count ambiguity, it should not have changed.

Load: __(/) No Change

12. Remove coaxial short. Note internal reference frequency, set OUTPUT LEVEL switch one step ccw to +9 dBm, then again note reference frequency. Except for the +1 digit count ambiguity, it should not have changed.

Level Change: __(/) No Change

13. Note internal reference frequency, set FM switch to AC, then again note reference frequency. Except for the ± 1 digit count ambiguity, it should not have changed.

Mode Change: __ (A) No Change

4-45. PHASE LOCK RESTABILIZATION TIME TEST**SPECIFICATION:**

Restabilization Time (phase locked mode): After frequency or band change, or after 1 min. in RF OFF mode; <1 min. after relocking to be within 0.1 ppm of steady-state frequency.

DESCRIPTION:

A frequency counter, digital to analog converter, and strip-chart recorder are used to measure stability after relocking.

PERFORMANCE TESTS

4-45. PHASE LOCK RESTABILIZATION TIME TEST (Cont'd)

NOTE

For these tests, ambient room temperature and line voltage should not change.

EQUIPMENT:

Frequency Counter.....HP 5327C OPT 003
 Digital to Analog Converter HP 581A OPT 002
 Recorder (for D/A Converter) HP 680

PROCEDURE:

1. Connect equipment as shown in Figure 4-1 after setting Signal Generator's control as follows:

COUNTER MODE: EXPANDOff
 LOCKOff
 SourceINT
 AMOFF
 FMOFF
 RANGE32 - 64 MHz
 FREQUENCY TUNE50 MHz
 RF ON/OFFON

2. Warm up equipment for two hours. Then set frequency counter to read frequency directly (i.e., not divided down). Use a is gate time so that the last two digits span from 00 to 99 Hz.

3. Calibrate the recorder for a zero to full-scale reading that corresponds to a 00 to 99 Hz reading of the frequency counter's last two digits (i.e., 100 Hz full scale).

4. Set COUNTER MODE LOCK to ON, wait one minute, then record generator's output frequency for five minutes; the frequency should not vary more than 7 Hz (<0.1 ppm +1 digit counter ambiguity).

-----7 Hz

5. Set COUNTER MODE LOCK to Off; tune FREQUENCY TUNE control fully ccw and back again to approximately 50 MHz. Repeat step 4; frequency should not vary more than 7 Hz.

-----7 Hz

6. Set COUNTER MODE LOCK to Off; set RANGE switch to 64 128 MHz and back again to 32 64 MHz. Repeat step 4; frequency should not vary more than 7 Hz.

-----7 Hz

7. Set COUNTER MODE LOCK to Off; set RF ON/OFF switch to OFF. Wait one minute and set RF ON/OFF switch to ON. Repeat step 4; frequency should not vary more than 7 Hz.

-----7 Hz

Table 4-1. Performance Test Record (1 of 8)

Hewlett-Packard
 Model 8640B
 Signal Generator
 Serial No. _____

Tested By _____

Date _____

Para No.	Test Description	Results		
		Min	Actual	Max
4-11	Frequency Range Test High End of Band: 512-1024 MHz 256-512 MHz 128-256 MHz 64-128 MHz 32-64 MHz 16-32 MHz 8-16 MHz 4-8 MHz 2-4 MHz 1-2 MHz 0.5-1MHz Low End of Band: 512-1024 MHz 256-512 MHz 128-256 MHz 64-128 MHz 32-64 MHz 16-32 MHz 8-16 MHz 4-8 MHz 2-4 MHz 1-2 MHz 0.5-1 MHz	550.0 MHz	_____	
		550.0 MHz	_____	
		275.0 MHz	_____	
		137.5 MHz	_____	
		68.70 MHz	_____	
		34.30 MHz	_____	
		17.10 MHz	_____	
		8.500 MHz	_____	
		4.200 MHz	_____	
		2.100 MHz	_____	
		1.070 MHz	_____	
				230.0 MHz
				230.0 MHz
				115.0 MHz
				57.50 MHz
				28.80 MHz
				14.40 MHz
				7.200 MHz
				3.600 MHz
		1.800 MHz		
		0.900 MHz		
		0.450 MHz		
4-12	Frequency Accuracy and Fine Tune Test Counter Readings, Difference: X10 TIME BASE VERN, not-CAL, cw TIME BASE VERN, not-CAL, ccw FINE TUNE	1 kHz	_____	110 Hz 110 Hz
		1 kHz	_____	
		10 kHz	_____	
4-13	Frequency Stability vs Time and Restabilization Time Test Time After frequency change After band change After RF ON/OFF set to ON		_____	500 Hz 500 Hz 250 Hz 500 Hz

Table 4-1. Performance Test Record (2 of 8)

Para No.	Test Description	Results		
		Min	Actual	Max
4-14	Frequency Stability vs Temperature Test		_____	50 kHz
4-15	Frequency Stability vs Line Voltage Test +5% to -10% Line Voltage		_____	50 Hz
4-16	Frequency Stability Test (Load) (Level) (Mode): 10 kHz 20 kHz 40 kHz 80 kHz 160 kHz 320 kHz 640 kHz 1.28 MHz 2.56 MHz		_____ _____ _____ _____ _____ _____ _____ _____ _____ _____	50 Hz 50 Hz 200 Hz 200 Hz 400 Hz 800 Hz 1.6 kHz 3.2 kHz 6.4 kHz 12.8 kHz 25.6 kHz
4-17	Harmonics Test Frequency Range: 0.5-1 MHz 1-2 MHz 2-4 MHz 4-8 MHz 8-16 MHz 16-32 MHz 32-64 MHz 64-128 MHz 128-256 MHz 256-512 MHz	35 dB 35 dB 35 dB 35 dB 35 dB 35 dB 35 dB 35 dB 30 dB 30 dB	_____ _____ _____ _____ _____ _____ _____ _____ _____ _____	
4-18	Sub-Harmonics and Non-Harmonic Spurious Test Below carrier	100 dB	_____	
4-19	Single Sideband Phase Noise Test At 550 MHz >112 dB down At 450 MHz >120 dB down	12 dB 20 dB	_____ _____	
4-20	Single Sideband Broadband Noise Floor Test >140 dB down	30 dB	_____	

Table 4-1. Performance Test Record (3 of 8)

Para No.	Test Description	Results		
		Min	Actual	Max
4-21	Residual AM Test >78 dB down >85 dB down	58 dB 65 dB	_____ _____	
4-22	Residual FM Test <7.5 Hz <2.5 Hz <7.5 Hz <15 Hz	7.5 mVrms 2.5 mVrms 7.5 mVrms 15 mVrms	_____ _____ _____ _____	
4-23	Output Level Accuracy Test (Abbreviated) Output Level Meter Reading Full cw +19 dBm Full cw +13 dBm Full cw +5 dBm 1 step ccw +13 dBm 1 step ccw +8 dBm 1 step ccw +3 dBm 1 step ccw -5 dBm 2 steps ccw +3 dBm 3 steps ccw -7 dBm 4 steps ccw -17 dBm 5 steps ccw -27 dBm 6 steps ccw -37 dBm 7 steps ccw -47 dBm 8 steps ccw -57 dBm 9 steps ccw -67 dBm 10 steps ccw 77 dBm 11 steps ccw -87 dBm 12 steps ccw -97 dBm 13 steps ccw -107 dBm 14 steps ccw -117 dBm -127 dBm	+17.5 dBm +11.5 dBm +3.0 dBm +11.5 dBm +6.5 dBm +1.5 dBm -7.0 dBm +1.5 dBm -8.5 dB -2.0 dB -2.0 dB -2.0 dB -2.5 dB -2.5 dB -2.5 dB -2.5 dB -2.5 dB -2.5 dB -2.5 dB -2.5 dB -22.5 dB	_____ _____ _____ _____ _____ _____ _____ _____ _____ _____ _____ _____ _____ _____ _____ _____ _____ _____ _____ _____ _____ _____ _____ _____ _____ _____	+20.5 dBm +14.5 dBm +7.0 dBm +14.5 dBm +9.5 dBm +4.5 dBm -3.0 dBm +4.5 dBm -5.5 dB +2.0 dB +2.0 dB +2.0 dB +2.5 dB +2.5 dB +2.5 dB +2.5 dB +2.5 dB +2.5 dB +2.5 dB +2.5 dB -17.5 dB
4-24	Output Level Accuracy Test (Complete) Output Level Meter Reading Full cw +19 dBm Full cw +13 dBm Full cw +5 dBm	+17.5 dBm +11.5 dBm +3.0 dBm	_____ _____ _____	+20.5 dBm +14.5 dBm +7.0 dBm

Table 4-1. Performance Test Record (4 of 8)

Para No.	Test Description	Results			
		Min	Actual	Max	
4-24	Output Level Accuracy Test (Complete) (Cont'd)				
	Output Level Meter Reading				
	1 step ccw +13 dBm	+11.5 dBm	_____	+14.5 dBm	
	1 step ccw +8 dBm	+6.5 dBm	_____	+9.5 dBm	
	1 step ccw +3 dBm	+1.5 dBm	_____	+4.5 dBm	
	1 step ccw -5 dBm	-7.0 dBm	_____	-3.0 dBm	
	2 steps ccw +3 dBm	+1.5 dBm	_____	+4.5 dBm	
	3 steps ccw -7 dBm	-8.5 dBm	_____	-5.5 dBm	
		-17 dBm	-472.0 mVdc	_____	-529.6 mVdc
		-27 dBm	-472.0 mVdc	_____	-529.6 mVdc
		-37 dBm	-472.0 mVdc	_____	-529.6 mVdc
		-47 dBm	-472.0 mVdc	_____	-529.6 mVdc
		-57 dBm	-445.6 mVdc	_____	-561.0 mVdc
		-67 dBm	-445.6 mVdc	_____	-561.0 mVdc
	-77 dBm	-445.6 mVdc	_____	-561.0 mVdc	
	-87 dBm	-445.6 mVdc	_____	-561.0 mVdc	
	-107 dBm	-445.6 mVdc	_____	-561.0 mVdc	
	-117 dBm	-445.6 mVdc	_____	-561.0 mVdc	
	-127 dBm	-445.6 mVdc	_____	-561.0 mVdc	
	-137 dBm	-445.6 mVdc	_____	-561.0 mVdc	
	0.013 μ V (-144.75 dBm)	-546.9 mVdc	_____	-772.5 mVdc	
4-25	Output Level Flatness Test		_____	0.5 dB	
4-26	Output Impedance Test (In Band)		_____ _____ _____	100 mV 13 mV 6.5 mV	
4-27	Output Impedance Test (Out of Band)				
	VSWR <2.0:1	9.5 dB	_____		
	Return Loss	9.5 dB	_____		
	VSWR <1.3:1	17.7 dB	_____		
	Return Loss	17.7 dB	_____		
4-28	Auxiliary Output Test	-5 dBm	_____		

Table 4-1. Performance Test Record (5 of 8)

Para No.	Test Description	Results		
		Min	Actual	Max
4-29	Output Leakage Test 0.5 to 400 MHz 400 to 600 MHz 600 to 1200 MHz		_____ _____ _____	-97 dBm -97 dBm -97 dBm
4-30	Internal Modulation Oscillator Test 400 Hz Fixed: Frequency Level (Standard) Level (Option 001) 1 kHz Fixed: Frequency Level (Standard) Level (Option 001) Variable Frequency (Option 001)	392 Hz 1.0 Vrms 3.0 Vrms 980 Hz 1.0 Vrms 3.0 Vrms	_____ _____ _____ _____ _____	408 Hz 1020 Hz +10%
4-31	Internal Modulation Oscillator Distortion Test (Option 001) Variable: 20 Hz to 2 kHz 2 kHz to 600 kHz Fixed: 400 Hz 1000 Hz		_____ _____ _____ _____	0.5% 1.0% 0.25% 0.25%
4-32	AM 3 dB Bandwidth Test RANGE %AM Bandwidth 8-16 MHz 50% 0-60 kHz 90% 0-50 kHz 4-8 MHz 50% 0-30 kHz 90% 0-25 kHz 1-2 MHz 50% 0-20 kHz 90% 0-12.5 kHz		_____ _____ _____ _____ _____ _____	3 dB 3 dB 3 dB 3 dB 3 dB 3 dB
4-33	AM Distortion Test 50% 70% 90%		_____ _____ _____	1% 3% 3%
4-34	AM Sensitivity and Accuracy Test External Sensitivity Accuracy: Indicated Accuracy: 90% 70% 50% 30% (0-10) 30% (0-3) 20% 10%	171.0 mVrms 165.6 mVrms 128.8 mVrms 92.0 mVrms 55.2 mVrms 54.6 mVrms 36.4 mVrms 18.2 mVrms	_____ _____ _____ _____ _____ _____ _____ _____	189.0 mVrms 194.4 mVrms 151.2 mVrms 108.0 mVrms 64.8 mVrms 65.4 mVrms 43.6 mVrms 21.8 mVrms

Table 4-1. Performance Test Record (7 of 8)

Para No.	Test Description	Results		
		Min	Actual	Max
4-38.	FM 3 dB Bandwidth Test		_____	3 dB
4-39.	FM Distortion Test Maximum Deviation 1/8 Maximum Deviation	30.5 dB 40 dB		
4-40.	FM Sensitivity and Accuracy Test Sensitivity: Frequency Range 256-512 MHz 128-256 MHz 64-128 MHz 32-64 MHz 16-32 MHz 8-16 MHz 4-8 MHz 2-4 MHz 1-2 MHz 0.5-1 MHz Accuracy: Frequency Range 256-512 MHz 128-256 MHz 64-128 MHz 32-64 MHz 16-32 MHz 8-16 MHz 4-8 MHz 2-4 MHz 1-2 MHz 0.5-1 MHz	1.954 kHz 1.954 kHz 1.954 kHz 1.954 kHz 1.954 kHz 1.954 kHz 1.954 kHz 1.954 kHz 1.954 kHz 1.954 kHz 1.954 kHz 1.871 kHz 1.871 kHz 1.871 kHz 1.871 kHz 1.871 kHz 1.871 kHz 1.871 kHz 1.871 kHz 1.871 kHz 1.871 kHz 1.871 kHz	_____ _____	2.204 kHz 2.204 kHz 2.204 kHz 2.204 kHz 2.204 kHz 2.204 kHz 2.204 kHz 2.204 kHz 2.204 kHz 2.204 kHz 2.204 kHz 2.287 kHz 2.287 kHz 2.287 kHz 2.287 kHz 2.287 kHz 2.287 kHz 2.287 kHz 2.287 kHz 2.287 kHz 2.287 kHz 2.287 kHz
4-41.	Incidental AM Test Maximum Deviation 1/8 Maximum Deviation		_____ _____	1% 0.5%
4-42.	Counter External Sensitivity Test 0.5 to 550 MHz 20 Hz to 500 kHz 20 Hz to 10 MHz		_____ _____ _____	(√) (√) (√)
4-43.	Internal Reference Accuracy Test 15°C to 35°C 0°C to 55°C	4,999,995 Hz 4,999,985 Hz	_____ _____	5,000,005 Hz 5,000,015 Hz

Table 4-1. Performance Test Record (8 of 8)

Para No.	Test Description	Results		
		Min	Actual	Max
4-44.	Internal Reference Drift Rate (Stability) Test Time Voltage Temperature Load Level Change Mode Change		_____ _____ _____ _____ _____ _____	0.27 Hz 0.52 Hz 10.2 Hz (√) No Change (√) No Change (√) No Change
4-45.	Phase Lock Restabilization Time Test After two hour warm-up After frequency change After band change After 1 min. in RF OFF mode		_____ _____ _____ _____	7 Hz 7 Hz 7 Hz 7 Hz

Table 4-2. Recommended Test Abridgements (1 of 3)

Para. No.	Performance Test	Alteration	Remark
4-11.	Frequency Range Test	Check only 0.5 - 1 MHz Range.	Ranges obtained by binary division of 230 - 550 MHz RF oscillator. All dividers operate on 0.5 - 1 MHz Range.
4-12.	Frequency Accuracy and Fine Tune Test	Omit steps 5 to 8.	Fine tune of secondary importance.
4-13.	Frequency Stability vs Time and Restabilization Time Test	Omit steps 5 to 7.	Restabilization time of secondary importance.
4-14.	Frequency Stability vs Temperature Test	Omit test.	Drift is small in a normal lab environment.
4-15.	Frequency Stability vs Line Voltage Test	Omit test.	Frequency shifts are small in a normal lab environment.
4-16.	Frequency Stability vs Load, Level, and Mode Test	Omit test.	RF oscillator well buffered from external loading. FM offset null constant under normal lab environment.
4-17.	Harmonics Test	None	
4-18.	Sub-harmonics and Non-harmonic Spurious Test	Omit test.	No mechanism for generation of spurious signals except counter, which is heavily shielded and filtered.
4-19.	Single Sideband Phase Noise Test	None	
4-20.	Single Sideband Broadband Noise Floor Test	None	
4-21.	Residual AM Test	Omit step 4.	Normally within specification for 300 Hz to 3 kHz bandwidth if within specification for 20 Hz to 20 kHz bandwidth.
4-22.	Residual FM Test	Omit steps 6 and 7.	Normally within specification for 300 Hz to 3 kHz bandwidth if within specification for 20 Hz to 20 kHz bandwidth.
4-23.	Output Level Accuracy Test (Abbreviated)	None	
4-24.	Output Level Accuracy Test (Complete)	Omit test.	Most useful ranges checked by abbreviated test.
4-25.	Output Level Flatness Test	None	
4-26.	Output Impedance Test (In Band)		
4-27.	Output Impedance Test (Out of Band)	Omit one test.	A condition that is out of specification will usually show on both tests.

Table 4-2. Recommended Test Abridgements (2 of 3)

Para. No.	Performance Test	Alteration	Remark
4-28.	Auxiliary Output Test	Omit test.	Auxiliary output a secondary function.
4-29.	Output Leakage Test	Omit step 5, and use 400 MHz amplifier to check to 512 MHz in step 4.	The 400 MHz amplifier bandwidth is adequate to check leakage over the output range of 0.5 to 512 MHz.
4-30.	Internal Modulation Oscillator Test	Omit test.	Exactness of modulation frequency not critical for most applications.
4-31.	Internal Modulation Oscillator Distortion Test (Opt 001)	Omit test.	Excessive distortion will usually manifest itself in AM and FM distortion tests.
4-32.	AM 3 dB Bandwidth Test	Omit test.	Accuracy at most often used frequencies check in AM sensitivity test.
4-33.	AM Distortion Test	None	
4-34.	AM Sensitivity and Accuracy Test	Omit step 8, but check meter in steps 1 to 7.	A spot check of meter accuracy is usually adequate.
4-35.	Peak Incidental Phase Modulation Test	Omit test.	Test requires access to inside of instrument. Specification does not normally degrade with time.
4-36.	Pulse Modulation Test	Omit steps 7 to 9.	Performance usually improves at the higher frequencies.
4-37.	Pulse On/Off Ratio Test	Omit step 4.	Performance usually improves at the lower frequencies.
4-38.	FM 3 dB Bandwidth Test	Omit test.	Accuracy at most often used frequencies checked in FM Sensitivity test.
4-39.	FM Distortion Test	None.	
4-40.	FM Sensitivity and Accuracy Test	Omit steps 6 to 9, but check meter in steps 1 to 5.	A spot check of meter accuracy is usually adequate.
4-41.	Incidental AM Test	Omit test.	Incidental AM usually of secondary importance and FM sensitivity test will usually show conditions that are out of specification (i.e., the first order sidebands will be uneven).

Table 4-2. Recommended Test Abridgements (3 of 3)

Para. No.	Performance Test	Alteration	Remark
4-42.	Counter External Sensitivity Test	Omit steps 3 and 4.	Performance usually improves at lower frequencies.
4-43.	Internal Reference Accuracy Test	None	
4-44.	Internal Reference Drift Rate (Stability) Test	Omit test.	Drift is small in a normal lab environment.
4-45.	Phase Lock Restabilization Time Test	Omit test.	Frequency error during the short lock acquisition time usually not significant.

4-87/(4-88 blank)

SECTION V ADJUSTMENTS

5-1. INTRODUCTION

5-2. This section describes adjustments required to return the Model 8640B Signal Generator to peak operating condition when repairs are required. Included in this section are test setups, and check and adjustment procedures. Removal and replacement procedures are given on the alphabetic service sheets (after the schematics in Section VIII). Adjustment location photographs are given on the last foldout in Section VIII.

5-3. SAFETY CONSIDERATIONS

5-4. Although this instrument has been designed in accordance with international safety standards, this manual contains information and warnings which must be followed to ensure safe operation and to retain the instrument in a safe condition (see Sections II and III). Service and adjustments should be performed only by qualified service personnel.

WARNING

Any interruption of the protective (grounding) conductor inside or outside the instrument or disconnection of the protective earth terminal is likely to make the apparatus dangerous. Intentional interruption is prohibited.

5-5. Any adjustment, maintenance, and repair of the opened instrument under voltage should be avoided as much as possible and, when inevitable, should be carried out only by a skilled person who is aware of the hazard involved. The opening of covers or removal of parts, except those to which access can be gained by hand, may expose live parts, and also accessible terminals may be live.

5-6. Capacitors inside the instrument may still be charged even if the instrument has been disconnected from its source of supply.

5-7. Make sure that only fuses with the required rated current and of the specified type (normal blow, time delay, etc.) are used for replacement. The use of

repaired fuses and the short-circuiting of fuseholders must be avoided.

5-8. Whenever it is likely that the protection has been impaired, the instrument must be made inoperative and be secured against any unintended operation.

5-9. TEST EQUIPMENT REQUIRED

5-10. Tables 1-2 and 1-3 contain a list of test equipment and test accessories required in the adjustment procedures. In addition, the tables contain the required minimum specifications and a suggested manufacturer's model number.

5-11. Pozidriv Screwdrivers

5-12. Many screws in the instrument appear to be Phillips, but are not. To avoid damage to the screw slots, Pozidriv screwdrivers should be used.

5-13. Blade Tuning Tools

5-14. For adjustments requiring a non-metallic metal-blade tuning tool, use the J.F.D. Model No. 5284 (HP 8710-1010). In situations not requiring non-metallic tuning tools, an ordinary small screwdriver or other suitable tool is sufficient. No matter what tool is used, never try to force any adjustment control in the generator. This is especially critical when tuning variable slug-tuned inductors, and variable capacitors.

5-15. Service Aids

5-16. Spare Parts Kit. The HP 08640-60095 Spare Parts Kit contains miscellaneous mechanical spare parts for the generator such things as nuts, bolts, screws and washers.

5-17. Extender Board. An extender board is supplied with the generator that can be used to extend all circuit plug-in boards (except the A10A2 RF Divider Assembly and the A12 Rectifier Assembly). The RF Divider Assembly is self-extending just remove the riser board and insert the Divider Assembly into the riser's socket.

5-18. Wrench. A wrench is supplied with the generator. One end fits the SMC connectors used on the generator's RF cables, the other end fits another common size SMC connector which may be used in servicing the instrument.

5-19. FACTORY SELECTED COMPONENTS

5-20. Table 5-1 contains a list of factory selected components by reference designation, basis of selection, and schematic diagram location. Factory selected components are designated by an asterisk (*) on the schematic diagrams in Section VIII.

5-21. The following information supplements Table 5-1.

a. **A8A1R4 Selection.** If A8A1U5 has been replaced and counter external sensitivity is not within specification, select A8A1R4 as follows:

1. Set COUNTER MODE to EXT 0-10 or EXT 0-550.
2. Measure dc voltage at A8A1U5 pins 1 and 14.
3. Select a value of resistance that will bring dc voltage at pin 14 to within 10% of voltage at pin 1.

b. **A10A2R6-8, R12-14, and R18-20 Selection.** If A26U2 (Service Sheet 12) has been replaced, check second harmonic level (at RF output jack) on the following bands: 128-256 MHz, 64-128 MHz, and 32-64 MHz. If second harmonic level is out of specification, increase affected band's divider output attenuation until second harmonic level is within specification. The following table indicates correct values of resistance for 3 to 6 dB of attenuation (change attenuation in 1 dB steps).

Band (RANGE)	Resistors (A10A2)		
128 - 256 MHz	R6	R7	R8
64 - 128 MHz	R12	R13	R14
32 - 64 MHz	R18	R19	R20
Attenuation	Resistance		
3 dB	17.8Ω	287Ω	287Ω
4 dB	23.7Ω	237Ω	237Ω
5 dB	31.6Ω	178Ω	178Ω

c. To change attenuation, change all three resistors associated with the band that's out of specification. For example, if 64-128 MHz band's second harmonic is too high, then R13, R12, and R14 will have to be changed. Change attenuation in 1 dB steps (e.g., to change their attenuation to 5 dB, change R13 to 31.6Ω, R12 to 178Ω, and R14 to 178Ω.)

NOTE

Attenuation should be no higher than necessary to bring a band's second harmonic within specification. Excessive attenuation may reduce maximum RF output level below +19 dBm.

d. **A26A3C3, C4, C5 and C6 Selection.** Capacitors may or may not be used; their values are always 0.22 pF. Select as follows:

1. Set AM switch to PULSE, FREQUENCY RANGE to 256-512 MHz, and RF ON/OFF to ON.
2. Connect a spectrum analyzer to MOD OUTPUT JACK, A26A3J1.
3. Check from 256 to 512 MHz (tune FREQUENCY TUNE across band). Signals should always be below -58 dBm.
4. Add or remove capacitors across diodes as necessary to keep signals below -58 dBm.

**Table 5-1. Factory Selected Components†
(1 of 2)**

Component	Service Sheet	Range of Values	Basis of Selection
A8A1R4	18	2-5 kΩ	See paragraph 5-21. Select for an indication on counter with 100 mVrms applied to COUNTER INPUT.
A10A2R6-8, R12-14, and R18-20	11		See paragraph 5-21.

† See backdating, Tables 7-1 and 7-2.

**Table 5-1. Factory Selected Components†
(2 of 2)**

Component	Service Sheet	Range of Values	Basis of Selection
A11R28 (Option 001)	9A	215 to 316 ohms	See paragraph 5-27. Select for less than specified distortion with distortion analyzer connected to front panel output jack. (Dis- tortion should not be so low that amplitude stability is poor at 20 Hz.)
A26A3C3, C4, C5, C6	12	0.22 pF	See paragraph 5-21.

† See backdating, Tables 7-1 and 7-2.

5-22. POST-REPAIR TEST AND ADJUSTMENTS

5-23. The adjustments in this section should be performed when the troubleshooting information in

Section VIII indicates that an adjustable circuit is not operating correctly. Perform the adjustments after repairing or replacing the circuit. The required adjustments are specified in Table 5-2. Allow the instrument to warmup one hour before making any adjustment.

5-24. After making the adjustments, perform the performance tests (found in Section IV) specified in the table. In general, if any casting was opened (or any RF connectors removed) during a repair, the Output Leakage Test should be performed. Performance tests should also be made for any assembly that had a component changed, even if the changed component was not defective. The power supplies should be checked whenever an assembly has been repaired.

NOTE

Table 5-2 can also be used for troubleshooting. If the generator failed one or more performance tests, cross-referencing to the associated assembly or circuitry will often indicate the source of the failure.

Table 5-2. Post-Repair Test and Adjustments (1 of 4)

Assembly Repaired	Performance Tests	Adjustments
A1 Output Level Assy	Harmonics Test (4-17) Output Level Accuracy Test (4-23 or 4-24) Output Level Flatness Test (4-25) Output Impedance Tests (4-26 and 4-27) Output Leakage Test (4-29)	Check power supply voltages (5-25) Output Level Knob Adjustment (5-30) Output Level Vernier and Meter Adjustment (5-31)
A2 Meter Switch/Detector Assy A4 Meter/Annunciator Drive Assy Panel Meter M1	Output Level Accuracy Test (upper 2 ranges only) (4-24 or 4-25) AM Sensitivity and Accuracy Test (meter only) (4-34) FM Sensitivity and Accuracy Test (meter only) (4-40)	Check power supply voltages (5-25) Meter Adjustments (5-28)
A3 RF Oscillator Assy	Frequency Range Test (256-512 MHz only) (4-11) Frequency Accuracy and Fine Tune Test (fine tune only) (4-12) Frequency Stability Tests (4-13, 4-14, 4-15, and 4-16) Harmonics Test (4-17) Single Sideband Phase Noise Test (4-19) Residual FM Test (4-22) Output Level Flatness Test (256-512 MHz only) (4-25) Output Leakage Test (4-29) FM Distortion Test (4-39) FM Sensitivity and Accuracy Test (4-40) Phase Lock Restabilization Time Test (check only that phase lock operates) (4-45)	Check power supply voltages (5-25) V _T Pot Adjustment (5-35) V _T Voltage Adjustment (5-36) Preliminary FM Adjustments (if necessary) (5-38) FM Linearity Adjustment (if necessary) (5-39) (5-44) FM Sensitivity Adjustment (if necessary) (5-40) RF Oscillator End Stop Adjustment (if necessary) (5-42) RF Oscillator Output Power Adjustment (if necessary) (5-43)

Table 5-2. Post-Repair Tests and Adjustments (2 of 4)

Assembly Repaired	Performance Tests	Adjustments
A5 FM Amplifier Assy A7 FM Shaping Assy	FM 3 dB Bandwidth Test (4-38) FM Distortion Test (4-39) FM Sensitivity and Accuracy Test (omit meter check) (4-40)	Check power supply voltages (5-25) Preliminary FM Adjustments (5-38) FM Linearity Adjustment (5-39) (5-44) FM Sensitivity Adjustment (5-40)
A6 Annunciator Assy	None	None
A8 Counter/Lock Assy	Operator's Checks (Figure 3-4) Frequency Accuracy and Fine Tune Test (accuracy only) (4-12) Frequency Stability Tests (4-13, 4-14, 4-15, and 4-16) Sub-Harmonics and Non-Harmonic Spurious Test (4-18) Output Leakage Test (4-29) Counter External Sensitivity Test (4-42) Internal Reference Accuracy Test (4-43) Internal Reference Drift Rate (Stability) Test (4-44) Phase Lock Restabilization Time Test (4-45)	Check power supply voltages (5-25) Internal Reference Frequency Adjustment (if necessary) (5-41)
A9 Peak Deviation and Range Switch Assy	Operator's Checks (Figure 3-4) FM Sensitivity and Accuracy Test (4-40)	Check power supply voltages (5-25) Peak Deviation and Range Switch Adjustment (if necessary) (5-33) Range Switch Adjustment (5-34) Preliminary FM Adjustments (if necessary) (5-38) FM Linearity Adjustment (if necessary) (5-39) (5-44)

Table 5-2. Post-Repair Tests and Adjustments (3 of 4)

Assembly Repaired	Performance Tests	Adjustments
A9 Peak Deviation and Range Switch Assy (Cont'd)		FM Sensitivity Adjustment (if necessary) (5-40)
A10 Divider/Filter Assy	Frequency Range Test (4-11) Harmonics Test (4-17) Output Level Flatness Test (4-25) Output Leakage Test (4-29)	Check power supply voltages (5-25) Range Switch Adjustment (if necessary) (5-34) V_T Voltage Adjustment (5-36) RF Filter Adjustment (if necessary) (5-37)
A11 Fixed-Frequency Modulation Oscillator Assy or A11 Variable-Frequency Modulation Oscillator Assy (Option 001)	Internal Modulation Oscillator Test (4-30) Internal Modulation Oscillator Distortion Test (Option 001 only) (4-31)	Check power supply voltages (5-25) Fixed Frequency Modulation Oscillator Adjustment (5-26) or Variable-Frequency Modulation Oscillator Adjustment (5-27)
A12 Rectifier Assy A13 Modulation/Metering Mother Board Assy A14 Line Power Module A15 Riser Assy A17 Power Supply Mother Board Assy A20 +5.2V and +44.6V Regulator Assy A22 +20V and -20V Regulator Assy A24 Series Regulator Socket Assy	Frequency Stability vs Time Test (4-13) Frequency Stability vs Line Voltage Test (4-15) Residual FM Test (4-22) Internal Reference Drift Rate (Stability) Test (4-44)	Power Supply Adjustments (5-25)
A16 Fan Motor Assy A18 -5.2V Regulator and Fan Driver Assy	Residual FM Test (4-22)	Power Supply Adjustments (5-25)

Table 5-2. Post-Repair Tests and Adjustments (4 of 4)

Assembly Repaired	Performance Tests	Adjustments
A26 AM/AGC and RF Amplifier Assy	Harmonics Test (4-17) Residual AM Test (4-21) Output Level Accuracy Test (4-23 or 4-24) Output Level Flatness Test (4-25) Output Impedance Test (4-26 and 4-27) Auxiliary Output Test (4-28) Output Leakage Test (4-29) AM 3 dB Bandwidth Test (4-32) AM Distortion Test (4-33) AM Sensitivity and Accuracy Test (4-34) Peak Incidental Phase Modulation Test (4-35) Pulse Modulation Test (4-36) Pulse On/Off Ratio Test (4-37) Incidental AM Test (4-41)	Check power supply voltages (5-25) RF Detector Offset Adjustment (5-29) Output Level Vernier and Meter Adjustment (5-31) AM Sensitivity Adjustment (5-32)

ADJUSTMENTS

5-25. POWER SUPPLY ADJUSTMENTS

REFERENCE:

Service Sheets 22 and 23.

DESCRIPTION:

A digital voltmeter is used to check the power supply voltages. They are then adjusted for the correct voltage. This procedure should be performed before making any other adjustment.

EQUIPMENT:

Digital VoltmeterHP 3480B/3484A

PROCEDURE:

1. Set LINE switch to ON. The fan should run and five LED's located on power supply boards (A18, A20, and A22) should be lit.
2. Connect DVM to each of the test points listed below. The voltages should be within the tolerances shown; if not, adjust appropriate resistor for a reading within the indicated tolerances.

Test Point	Adjust	Voltage Level
-5.2V A18TP5	A18R2	-5.200V ± 10 mV-----*
+5.2V A20TP10	A20R16	+5.200V ± 10 mV-----
+20V A22TP4	A22R7	+20.000V ±10 mV-----**
-20V A22TP9	A22R19	-20.000V ±10 mV-----***
+44.6V A20TP4	A20R8	+44.600V ±100 mV----

* For ambient temperatures other than 25 c. modify the voltage level setting by -4.2 mV/ C.

** Perform FM CAL adjustment (paragraph 5-38, step 8) and time base adjustment (paragraph 5-41).

** Perform VARACTOR BIAS adjustment (paragraph 5-38, step 12).

5-26. FIXED-FREQUENCY MODULATION OSCILLATOR ADJUSTMENT

REFERENCE:

Service Sheet 9.

DESCRIPTION:

A digital voltmeter is used to monitor the audio oscillator's output while setting its level. The AUDIO OUTPUT LEVEL dial is also adjusted.

ADJUSTMENTS

5-26. FIXED-FREQUENCY MODULATION OSCILLATOR ADJUSTMENT (Cont'd)

EQUIPMENT:

Digital Voltmeter HP 3480B/3484A
 600 Ohm Feedthrough HP 11095A

PROCEDURE:

1. Connect DVM, to AllTP3 (AM out). Set Signal Generator's controls as follows:

AM INT
 MODULATION FREQUENCY 1000 Hz
 FM OFF
 AUDIO OUTPUT LEVEL Full cw

2. Adjust OSC LEVEL adjustment, AllR6, for a 840 +10 m Vrms reading on DVM at AllTP3.
3. Connect DVM, through 600 ohm feedthrough, to AM OUTPUT. Set AUDIO OUTPUT LEVEL to 100 m Vrms as read on DVM. The AUDIO OUTPUT LEVEL dial should read 100 m Vrms. If it does not, loosen setscrews on knob and align knob so that it does.
4. Set MODULATION FREQUENCY to 400 Hz. Set AUDIO OUTPUT LEVEL fully cw. The DVM should read > 1 Vrms.

1 Vrms _____

5-27. VARIABLE-FREQUENCY MODULATION OSCILLATOR ADJUSTMENT (OPTION 001)

REFERENCE:

Service Sheet 9A.

DESCRIPTION:

A digital voltmeter and a frequency counter are used to monitor output voltage and frequency while adjusting the oscillator. The MODULATION FREQUENCY dial and the AUDIO OUTPUT LEVEL dial are adjusted.

EQUIPMENT:

Digital Voltmeter HP 3480B/3484A
 Frequency Counter HP 5327C
 600 Ohm Feedthrough HP 11095A

ADJUSTMENTS

5-27. VARIABLE-FREQUENCY MODULATION OSCILLATOR ADJUSTMENT (OPTION 001) (Cont'd)

PROCEDURE:

1. Check that modulation oscillator is installed with all of its covers in place.
2. If the knobs have been removed, turn MODULATION FREQUENCY vernier shaft full cw. Install frequency dial on vernier shaft so that the gears mesh and number 200 on the dial is 10 to 20° to the left (ccw) of the cursor. Turn MODULATION FREQUENCY switch shaft full ccw and install range knob on switch shaft so that 400 Hz FIXED FREQUENCY position is at the cursor (top). Install vernier knob. (The knobs should not touch each other.)
3. Turn trim capacitors A11C2 and C3 full cw.

NOTE

Turning C2 ccw decreases the output voltage while raising the frequency.
 Turning C3 ccw increases the output voltage while raising the frequency.

4. Set Signal Generator's controls as follows:

AM INT
 MODULATION FREQUENCY Switch..... X100
 MODULATION FREQUENCY Vernier..... Full ccw
 FM OFF
 AUDIO OUTPUT LEVEL..... Full cw

5. Connect DVM to OSC OUT test point, A11TP4. The DVM should read 1.6 ± 0.3 Vrms.

1.3-----1.9 Vrms

6. Connect frequency counter to AM OUTPUT jack. The counter should read 1.8 ± 0.2 kHz.

1.6-----2.0 kHz

7. Set MODULATION FREQUENCY vernier full cw and adjust trim capacitors, A11C2 and C3, until voltage level at A11TP4 is within 0.1 Vrms of level read in step 5 and frequency at AM OUTPUT is 21 ± 1 kHz.

8. Set MODULATION FREQUENCY vernier for a frequency counter reading of 2.0 ± 0.01 kHz. Loosen setscrews in gear that meshes with frequency dial gear (vernier). Rotate dial gear so that dial reads 20 (at the cursor) and tighten setscrews in gear. The frequency counter should read 2.0 ± 0.01 kHz when dial reads 20 at the cursor. Record voltage level at A11TP4.

-----Vrms

9. Set MODULATION FREQUENCY vernier to 200. Adjust A11C2 and C3 until voltage level at A11TP4 is within 0.01 Vrms of level recorded in step 8 and frequency is 20.0 ± 0.1 kHz.

ADJUSTMENTS

5-27. VARIABLE-FREQUENCY MODULATION OSCILLATOR ADJUSTMENT (OPTION 001) (Cont'd)

10. Set MODULATION FREQUENCY vernier to 20. The counter should read 2.00 ± 0.01 kHz and voltage level at A11TP4 should be within 0.01 Vrms of level recorded in step 8. Repeat steps 8 and 9 until voltage level and frequency are correct.
11. Monitor voltage at A11TP4 while using MODULATION FREQUENCY switch and vernier to tune oscillator from 2 kHz to 20 kHz. The voltage level at 2 kHz (on the X100 range) should be 1.6 ± 0.05 Vrms and level at all other frequencies should be within 0.03 Vrms of level at 2 kHz.

At 2 kHz: 1.55-----1.65 Vrms

All frequencies:-----+0.03 Vrms

12. If level at A11TP4 is too high, reduce A11R28 by one standard value (10%); if level is too low, increase A11R28 by one standard value. Then repeat steps 8 through 11.
13. Set MODULATION FREQUENCY range switch to X3 K and vernier to 200 and adjust HIGH FREQ capacitor A11C9 for a counter reading of 600 ± 3 kHz.

597-----603 kHz

- †14. Connect DVM to AM OUT test point, A11TP5. Set MODULATION FREQUENCY range switch to X100 and the vernier to 20. Adjust AM-FM adjustment, A11R35, for 840 ± 10 m Vrms at A11TP5.

830-----850 m Vrms

15. Connect DVM to the FM OUT test point, A11TP3. It should read within 5 m Vrms of reading in step 14.

-----±5 mVrms

16. Use MODULATION FREQUENCY range switch and vernier to tune oscillator across each range (except 400 and 1000 Hz FIXED FREQ). Monitor voltage level at A11TP3; the DVM should read within 10 mVrms of level noted at 20 on vernier dial from 200 Hz to 100 kHz. It should read within 20 mVrms of level noted at 20 on vernier dial from 20 Hz to 600 kHz.

200 Hz to 100 kHz:-----±10 mVrms

20 Hz to 600 kHz:-----±20 mVrms

17. Set MODULATION FREQUENCY range switch to X3 K and vernier to 20. Connect DVM to AM OUTPUT jack through 600 ohm feedthrough. Adjust AUDIO LEVEL adjustment, A11R40, for 3.00 ± 0.03 Vrms at the jack.

2.97-----3.03 Vrms

18. Set AM to OFF and FM to INT. Connect DVM to FM OUTPUT jack through the 600 ohm feedthrough. The DVM should read 3.0 ± 0.06 Vrms.

19. Check that AUDIO OUTPUT LEVEL control indicates 3V when turned fully cw. If it does not, loosen its setscrews and adjust it so that it does; then tighten setscrews.

† See Tables 7-1 and 7-2 for backdating.

ADJUSTMENTS

5-28. METER ADJUSTMENTS

REFERENCE:

Service Sheet 17.

DESCRIPTION:

The panel meter is mechanically zeroed. The meter circuitry is then adjusted at zero and full scale.

EQUIPMENT:

Digital Voltmeter HP 3480B/3484A

PROCEDURE:

1. With LINE switch set to OFF, place Signal Generator in its normal operating position (e.g., if its normal operating position is tilted up with the tilt stand locked down, place it that way).
2. Adjust mechanical zero adjustment screw on panel meter clockwise for a zero meter reading. Then turn screw slightly counterclockwise to free mechanism from adjusting peg.
3. Set generator's controls as follows:

Meter FunctionFM
 FMOFF
 MODULATION FREQUENCY 1000 Hz
 PEAK DEVIATION 10 kHz
 PEAK DEVIATION Vernier..... Full ccw
 RANGE2 - 4 MHz
 LINE.....ON

4. Connect DVM to DC OUT test point (A2TP2) on A2 Meter Switch/Detector Assembly. Adjust DET OFFSET pot (A2R5) for 0 Vdc ± 1 mVdc at A2TP2.
5. Connect DVM to MTR ADJ test point (A4TP1) on A4 Meter Annunciator Drive Assembly. Adjust DRIVER OFFSET pot (A4R10) for 0 Vdc ± 1 mVdc at A4TP1.
6. Set FM to INT. Adjust PEAK DEVIATION vernier clockwise until DVM reads 9.766 Vdc at A4TP1. Then adjust F.S. METER pot (A4R19) for a full scale reading (10 on the 0-10 scale) on the panel meter.

5-29. RF DETECTOR OFFSET ADJUSTMENT

REFERENCE:

Service Sheets 12 and 13.

ADJUSTMENTS

5-29. RF DETECTOR OFFSET ADJUSTMENT (Cont'd)

DESCRIPTION:

A digital voltmeter is used to set the proper offset voltage out of the RF detector.

EQUIPMENT:

Digital Voltmeter HP 3480B/3484A

PROCEDURE:

- 1. Connect DVM to DET test point, A26A1TP1, and set Signal Generator's controls as follows:

COUNTER MODE: EXPAND Off
LOCK..... Off
Source INT
AM OFF
FM OFF
RANGE 32 - 64 MHz
FREQUENCY TUNE 50MHz
RF ON/OFF..... OFF

- 2. Set AGC Switch, A26A4S1, to off. Adjust Detector Adjust pot, A26A1R11, for -61 ±2 mVdc at DET test point.
3. Set AGC switch to on and set front panel RF ON/OFF switch to ON.
4. Perform Output Level Vernier and Meter Adjustment, paragraph 5-31.

5-30. OUTPUT LEVEL KNOB ADJUSTMENT

REFERENCE:

Service Sheets 13 and 16.

DESCRIPTION:

The RF attenuator knob is set, and the vernier voltage is monitored with a digital voltmeter and the vernier pot is adjusted. Then the vernier cursor is set. This procedure should be performed whenever the OUTPUT LEVEL knobs have been removed.

EQUIPMENT:

Digital Voltmeter HP 3480B/3484A

ADJUSTMENTS

5-30. OUTPUT LEVEL KNOB ADJUSTMENT (Cont'd)

PROCEDURE:

1. Set Signal Generator's controls as follows:

Meter Function	LEVEL
COUNTER MODE: EXPAND	Off
LOCK.....	Off
Source	INT
AM	OFF
FM	OFF
RANGE.....	32 - 64 MHz
FREQUENCY TUNE.....	50 MHz
OUTPUT LEVEL.....	As specified
RF ON/OFF	ON

2. Set OUTPUT LEVEL RF attenuator knob one position ccw from full cw so that +13 dBm is in line with top edge of white cursor range on front panel. If it does not line up, loosen knob's setscrews and align it. (The attenuator and vernier knobs should not touch each other.)
3. Loosen setscrew in brass gear at rear of AI Output Level Assembly.
4. Set OUTPUT LEVEL vernier full cw. Using DVM, note voltage at VERN test point, A1A1TP1, on A1A1 RF Vernier Assembly. It should be approximately 2 volts.
5. Adjust OUTPUT LEVEL vernier for half the voltage (at the VERN test point) noted in step 4 ± 20 mV.
6. Without moving vernier, turn brass gear shaft until cursor points to +7.5 dBm on dial. Tighten setscrew in brass gear.
7. Perform the Output Level Vernier and Meter Adjustment, paragraph 5-31.

5-31. OUTPUT LEVEL VERNIER AND METER ADJUSTMENT

REFERENCE:

Service Sheets 12 and 16.

DESCRIPTION:

The RF level accuracy for the upper OUTPUT LEVEL attenuator ranges is measured with a power meter and the generator's output level and panel meter are adjusted at +13 dBm. For the lower ranges, a reference signal is established on a spectrum analyzer display, the Signal Generator's OUTPUT LEVEL switch and the spectrum analyzer's vertical scale log reference level control are stepped together, and any amplitude variations at -67 and -97 dBm are measured on the analyzer's display. An RF attenuator and amplifier at the RF OUTPUT are adjusted for analyzer compatibility and best sensitivity.

ADJUSTMENTS

5-31. OUTPUT LEVEL VERNIER AND METER ADJUSTMENT (Cont'd)

This procedure uses an IF substitution technique in which the spectrum analyzer's IF is the standard. The IF step accuracy should be within ± 0.2 dB overall. The IF step accuracy can be checked using the above technique by comparing a lab calibrated attenuator (such as HP Model 355D Option H36) with the IF step control at the frequency of attenuator calibration (e.g., 3 MHz for the HP 355D Option H36).

NOTE

1. Check that the Output Level Knob Adjustment (5-30), the RF Detector Offset Adjustment (5-29), and the Meter Adjustments (5-28) are correct before performing this adjustment.
2. After making meter adjustments which are accessible only from the bottom of the instrument, check the adjustment with the instrument in its normal operating position.

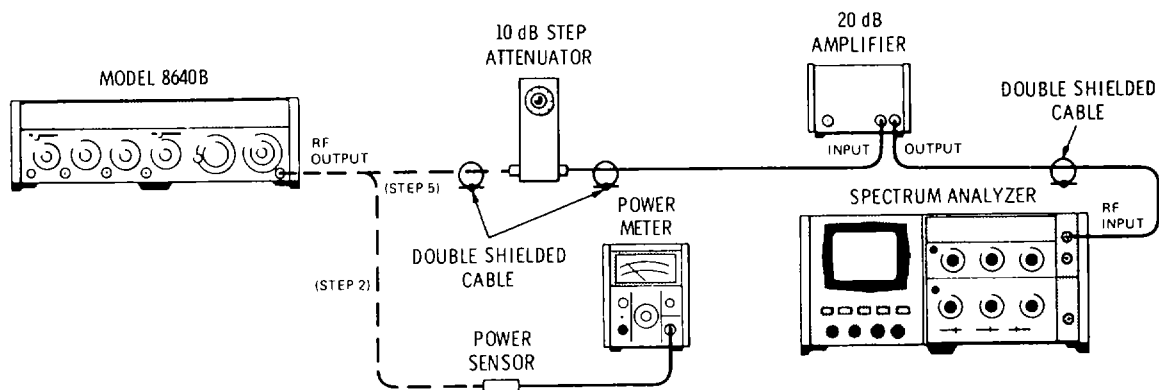


Figure 5-1. Output Level Vernier and Meter Adjustment Test Setup

EQUIPMENT:

Spectrum Analyzer.....	HP 141T/8552B/8553B
Power Meter.....	HP 435A
Power Sensor.....	HP 8481A
20 dB Amplifier	HP 8447A
Double Shielded Cable (3 required).....	HP 08708-6033

NOTE

An HP Model 432A Power Meter with a Model 478A Thermistor Mount can be used for this test. However, a 10 dB attenuator, such as the Model 8491A OPT 10, must be used with the mount. This will slightly degrade measurement accuracy.

ADJUSTMENTS

5-31. OUTPUT LEVEL VERNIER AND METER ADJUSTMENT (Cont'd)

PROCEDURE:

1. Connect equipment as shown in Figure 5-1 after setting Signal Generator's controls as follows:

Meter Function	LEVEL
COUNTER MODE: EXPAND	Off
LOCK.....	Off
Source	INT
AM	OFF
FM	OFF
RANGE.....	32 - 64 MHz
FREQUENCY TUNE.....	50 MHz
OUTPUT LEVEL.....	As specified
RF ON/OFF	ON

2. Set OUTPUT LEVEL switch one step ccw from full cw; turn OUTPUT LEVEL vernier until the cursor lines up with the top edge of the white cursor range (i.e., for +13 dBm read on OUTPUT LEVEL switch cursor).
3. Adjust LVL adjustment, A26A4R1, for a +13 dBm reading on power meter. Adjust MET adjustment, A26A4R12, for a +13 dBm indication on generator's panel meter (+3 dB reading on meter).
4. Set OUTPUT LEVEL switch three steps ccw to -17 dBm. Adjust vernier for a -17 dBm reading on power meter.
5. Disconnect power meter from generator and connect step attenuator, amplifier, and spectrum analyzer to RF OUTPUT.
6. Set step attenuator to 30 dB. Set spectrum analyzer's center frequency controls to 50 MHz (stabilizer on), resolution bandwidth to 10 kHz, frequency span per division (scan width to 5 kHz, input attenuation to 0 dB), display smoothing (video filter) to 100 Hz, and log/linear display switch to 2 dB log. Set the reference level switch for a -10 dBm reference level at the top graticule line on the display; adjust the reference level vernier to place the signal to the display's fifth horizontal graticule line.
7. Set generator's OUTPUT LEVEL switch to -47 dBm (i.e., 3 steps ccw). Set analyzer's reference level switch to -40 dBm and note signal level on display (i.e., the difference between the signal level and the fifth horizontal graticule line).
8. Set step attenuator to 0 dB; reset analyzer's reference level switch to -10 dBm and adjust analyzer's reference level vernier for the same signal level noted in step 7.
9. Set generator's OUTPUT LEVEL switch to -67 dBm; set analyzer's reference level switch to -30 dBm and adjust generator's OUTPUT LEVEL vernier to set signal on analyzer's display to the fifth horizontal graticule line (to the same place it was set in step 6).
10. Adjust the 10 μ V adjustment, A1AIR5, for a -67 dBm indication on generator's panel meter (+3 dB reading on meter).

ADJUSTMENTS

5-31. OUTPUT LEVEL VERNIER AND METER ADJUSTMENT (Cont'd)

11. Set generator's OUTPUT LEVEL switch to -97 dBm. Set analyzer's reference level control to -60 dBm. Adjust OUTPUT LEVEL vernier to set signal on analyzer's display to the fifth horizontal graticule line (to the same place it was set in step 6). Adjust the $1 \mu V$ adjustment, A1A1R6, for a -97 dBm indication on generator's panel meter (+3 dB reading on meter).
12. Perform AM Sensitivity Adjustment, paragraph 5-32, if repairs have been made to the A26 AM/AGC and RF Amplifier Assembly.

5-32. AM SENSITIVITY ADJUSTMENT

REFERENCE:

Service Sheet 14.

DESCRIPTION:

AM sensitivity is adjusted while comparing the actual amount of amplitude modulation to the level of the input modulating signal. A spectrum analyzer is used to measure the actual modulation. The analyzer is used with zero frequency span at the carrier frequency. A DVM is used to measure the ac and dc voltages at the analyzer's vertical output, and the dc value of the carrier is set to 282.8 mVdc; the rms value of the modulation is then a very accurate measure of AM percent (% AM is 1/2 the ac voltage in mVrms).

EQUIPMENT:

- Spectrum Analyzer.....HP 141T/8552B/8554B
- Digital Voltmeter HP 3480B/3484A
- Test Oscillator..... HP 652A
- Calibrated Step Attenuator HP 355D OPT H36

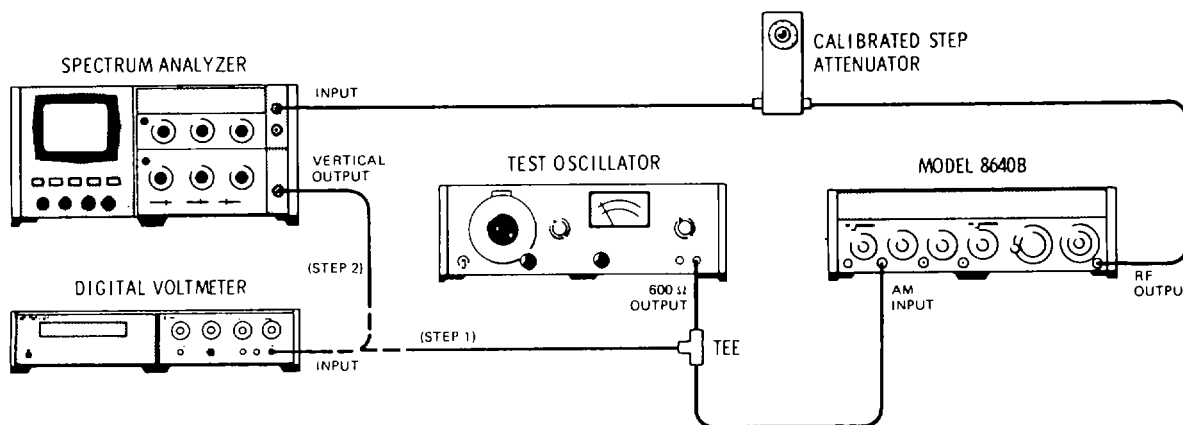


Figure 5-2. AM Sensitivity Adjustment Test Setup

ADJUSTMENTS

5-32. AM SENSITIVITY ADJUSTMENT (Cont'd)

PROCEDURE:

1. Connect equipment as shown in Figure 5-2 after setting Signal Generator's controls as follows:

Meter FunctionAM
 COUNTER MODE: EXPAND Off
 LOCK..... Off
 Source INT
 AM AC
 MODULATION Full cw
 FM OFF
 RANGE 256 - 512 MHz
 FREQUENCY TUNE 512 MHz
 OUTPUT LEVEL -27 dBm
 (switch 5 steps ccw from full cw, vernier full cw)
 RF ON/OFF ON

2. Set test oscillator for a 1 kHz, 353.6 mVrms signal as, read on DVM (50% AM). Disconnect DVM from test oscillator (leave oscillator connected to generator). Connect the DVM to spectrum analyzer's vertical output. Set calibrated step attenuator to 0 dB.
3. Set spectrum analyzer's resolution bandwidth to 300 kHz, input attenuation to 20 dB, frequency span per division (scan width) to 20 kHz (tuning stabilizer on), scale to linear, and adjust center frequency and scale reference level controls to center the 512 MHz signal on the display. Set frequency span per division to 0 Hz and display smoothing (video filter) to 10 kHz. Peak the trace on the display with center frequency controls; set trace to center of display with reference controls.

NOTE

Step 4 measures the analyzer's dc offset (V_{off}) and must be performed to ensure the accuracy of this test. However if V_{off} for the analyzer being used has recently been measured and noted, skip step 4 and go on to step 5 (and eliminate the calibrated step attenuator from the test setup).

4. Measure analyzer's dc offset (V_{off}) by performing steps "a" through "f".
 - a. Set generator's controls as follows:

Meter Function LEVEL
 AM OFF
 RANGE 2 - 4 MHz
 FREQUENCY TUNE 3 MHz

- b. Set analyzer's center frequency controls to 3 MHz.
- c. Adjust analyzer's reference level controls for -500 mVdc indicated on DVM ($V_{DET 1}$)-
- d. Set step attenuator to 20 dB. Note DVM reading ($V_{DET 2}$)-

ADJUSTMENTS

5-32. AM SENSITIVITY ADJUSTMENT (Cont'd)

e. Calculate V_{off} where

$$V_{\text{off}} = \frac{V_{\text{DET 2}} - aV_{\text{DET 1}}}{1 - a}$$

and $a = \sqrt{RF 2 / RF 1}$ (i.e., a = attenuation; for 20 dB it is 0.1).

therefore

$$V_{\text{off}} = \frac{V_{\text{DET 2}} + 50 \text{ mVdc}}{0.9}$$

- f. Reset step attenuator to 0 dB, Signal Generator as specified in step 1, and spectrum analyzer as specified in step 3.
5. To calibrate spectrum analyzer for percent of AM measurement, use analyzer's reference level controls to set -282.8 mV + V_{off} at vertical output (as measured on the DVM). For example, if V_{off} is +50.0 mV, then set -282.8 mV + (+50.0 mV) or -232.8 mV at vertical output. (Check that trace is peaked on analyzer display.)
 6. Set DVM to measure mVrms (ac only). Adjust % AM adjustment, A26A2R19, for a DVM indication of 100 mVrms.

5-33. PEAK DEVIATION AND RANGE SWITCH ADJUSTMENT
REFERENCE:

Service Sheets 6, 7, and 8.

DESCRIPTION:

The switches are adjusted so that the FM gain switch (i.e., A9S3, the switch that is controlled by both the peak deviation and the frequency range switch) is correctly positioned. This procedure should be performed whenever the A9 assembly has been disassembled.

PROCEDURE:

1. Set RANGE and PEAK DEVIATION switches full cw. Loosen setscrews in the knobs and position RANGE switch knob so that 512 - 1024 MHz is under the cursor on front panel. Position PEAK DEVIATION switch knob so that 5.12 MHz is under the cursor on front panel. Tighten setscrews.

ADJUSTMENTS

5-33. PEAK DEVIATION AND RANGE SWITCH ADJUSTMENT (Cont'd)

2. Loosen locking screw on gain switch (A9S3) shaft (see exploded view in Section VIII). Rotate shaft until rotor tang on the front of the front wafer (A9S3AF-31/2) is centered under clip with 94 wire (white-yellow). Tighten locking screw.
3. Rotate RANGE and PEAK DEVIATION switches through all of their positions (one at a time). Check that tang is adequately centered under all of the clips when they are approached from either direction (there is some backlash). If not, readjust the shaft until it is.
4. Perform Range Switch Adjustment, paragraph 5-34.

5-34. RANGE SWITCH ADJUSTMENT

REFERENCE:

Service Sheet 10.

DESCRIPTION:

The frequency at RF OUTPUT is monitored with a frequency counter. The divider/filter cams are positioned so that the frequency at RF OUTPUT agrees with the frequency indicated on the generator's readout. The RANGE switch knob is then set to the correct range. This procedure should be performed whenever the A9 assembly or the A10 assembly has been removed or replaced.

EQUIPMENT:

Frequency Counter.....HP 5327C

PROCEDURE:

1. Connect frequency counter high frequency input to RF OUTPUT. Set Signal Generator's controls as follows:

COUNTER MODE: EXPAND Off
 LOCK..... Off
 Source INT
 AM OFF
 FM OFF
 RANGE Full ccw
 FREQUENCY TUNE 0.5 MHz
 OUTPUT LEVEL +13 dBm
 RF ON/OFF ON

2. Monitor output frequency with frequency counter. Loosen shaft coupling between RANGE switch and divider/filter cams. Rotate cam side of shaft until frequency counter reading agrees with frequency indicated on generator's output frequency display (i.e., to approximately 500 kHz); tighten shaft coupling.

ADJUSTMENTS

5-34. RANGE SWITCH ADJUSTMENT (Cont'd)

3. Loosen RANGE switch knob, position it so that it indicates that the range is 0.5 - 1 MHz, and tighten it.
4. Set RANGE switch to each of its other positions (from both directions). The frequency counter should display readings that agree approximately with generator's readout (the correct frequency counter reading for the EXT DOUBLER 512 - 1024 MHz position is approximately 256 MHz).

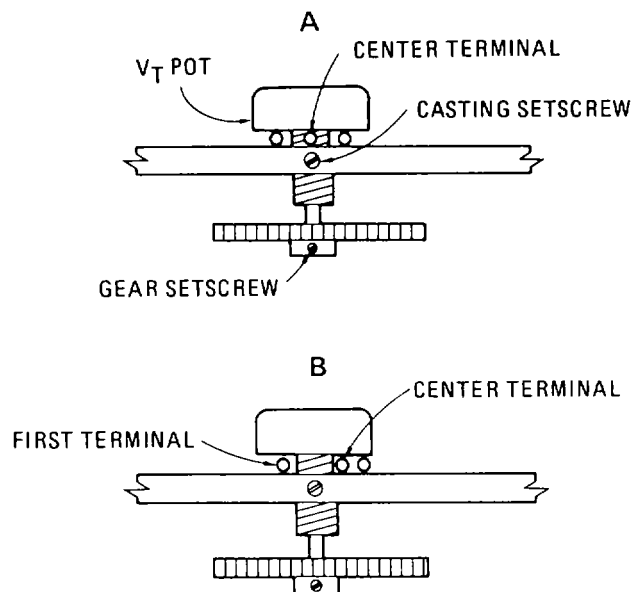
5-35. V_T POT (A3R1) ADJUSTMENT

REFERENCE:

Service Sheet 5.

DESCRIPTION:

The V_T pot is aligned so that it will not hit either end-stop as the FREQUENCY TUNE control is tuned through its full range. This adjustment should be performed whenever the pot has been replaced.

**Figure 5-3. V_T Pot Adjustment**

ADJUSTMENTS

5-35. V_T POT (A3R1) ADJUSTMENT (Cont'd)

1. Set FREQUENCY TUNE full clockwise.
2. Tighten the bushing and set VT pot shaft full cw.
3. Install pot with gear in casting so that center terminal (934 wire) is in line with casting setscrew (see Figure 5-3,A).
4. Tighten setscrews in gear (not casting setscrew).
5. Rotate the pot cw so that casting setscrew lies between first and center terminals of pot (see Figure 5-3,B).
6. Tighten casting setscrew.
7. Perform the VT Voltage Adjustment, paragraph 5-36.

5-36. VT VOLTAGE ADJUSTMENT

REFERENCE:

Service Sheets 5, 10, and 11.

DESCRIPTION:

This procedure should be performed whenever either the VT pot, the A3 assembly, or the A10A2 assembly has been replaced.

PROCEDURE:

1. Set Signal Generator's controls as follows:

Meter Function	LEVEL
COUNTER MODE: EXPAND	Off
LOCK	Off
Source	INT
AM	OFF
FM	OFF
RANGE	256 - 512 MHz
FREQUENCY TUNE	As specified
FINE TUNE	Centered
OUTPUT LEVEL	0 dBm
RF ON/OFF	ON

ADJUSTMENTS

5-36. VT VOLTAGE ADJUSTMENT (Cont'd)

2. Set FREQUENCY TUNE to 356 MHz approached from low frequency band end (256 MHz); adjust VT adjustment, A3A4R2 until the relays in the A10 assembly just actuate. When the relays actuate, they make an audible clicking.
3. Tune FREQUENCY TUNE one turn ccw and then cw until relays actuate. The frequency at actuation should be 355 - 357 MHz.
4. Tune FREQUENCY TUNE from 256 to 512 MHz. The generator's panel meter should read 0 dBm through the entire frequency range.

5-37. RF FILTER ADJUSTMENT

REFERENCE:

Service Sheet 10.

DESCRIPTION:

A spectrum analyzer and a tracking generator are used to measure the insertion loss and frequency response of each of the RF filters. Those filters that are adjustable are adjusted if necessary. A frequency counter, connected to the tracking generator's auxiliary output, is used to accurately set the analyzer's frequency. This procedure should be performed whenever the RF filters have been repaired or are suspect. The filters must meet specified pass band and stop band characteristics. Figure 5-4 illustrates the terms used in the procedure.

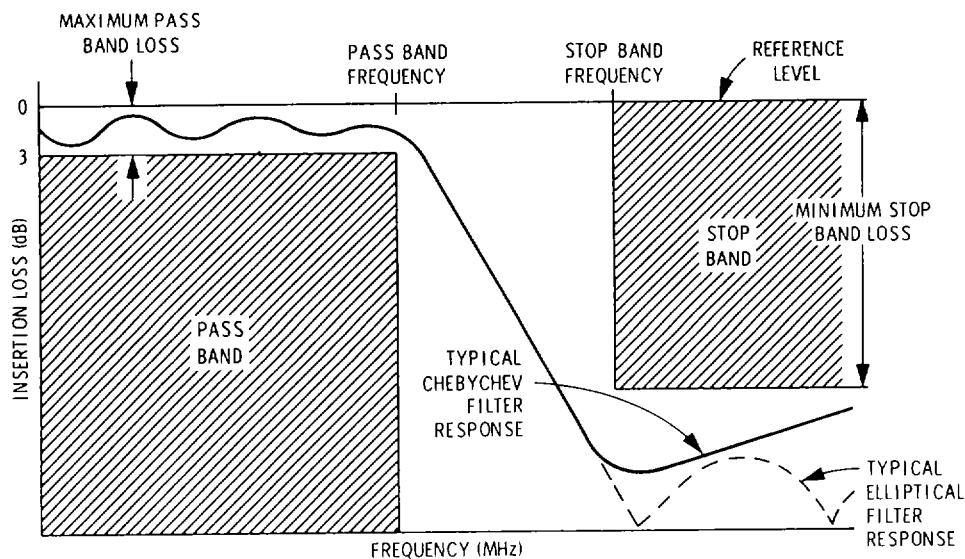


Figure 5-4. Filter Terminology

ADJUSTMENTS

5-37. RF FILTER ADJUSTMENT (Cont'd)

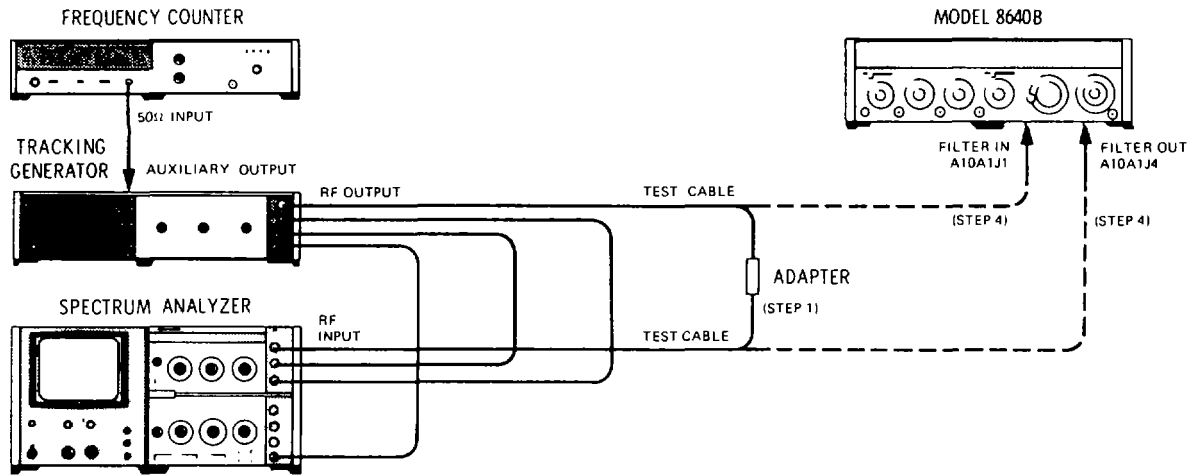


Figure 5-5. RF Filter Adjustment Test Setup

EQUIPMENT:

Spectrum Analyzer.....	HP 141T/8552B/8554B
Tracking Generator.....	HP 8444A
Frequency Counter.....	HP 5327C
Test Cable (2 required)	HP 11592-60001
Adapter.....	HP 1250-0827

PROCEDURE:

1. Connect equipment as shown in Figure 5-5 after setting Signal Generator's controls as follows:

RANGE.....256 - 512 MHz
 FREQUENCY TUNE.....Fully cw
 RF ON/OFF.....OFF

2. Set spectrum analyzer center frequency to 550 MHz, frequency span (scan width) to 100 MHz per division, resolution bandwidth to 10 kHz, and input attenuation to 20 dB.
3. Set tracking generator's output level to 0 dBm. Adjust the tracking for maximum response in a 10 kHz resolution bandwidth. (Tracking should be checked periodically during this test.) Set analyzer's resolution bandwidth to 300 kHz.

ADJUSTMENTS

5-37. RF FILTER ADJUSTMENT (Cont'd)

4. For each of the frequency range bands listed in Table 5-3, perform the following:

- a. Connect spectrum analyzer's RF input to tracking generator's RF output (use test cables and adapter as shown in test setup). Set Signal Generator's RANGE and FREQUENCY TUNE controls as listed in the table. Set spectrum analyzer's frequency span (scan width) controls to zero Hz.

NOTE

Geometric mean switching (on the 8 to 512 MHz bands) occurs near the middle of the frequency range. Switching is controlled by the position of the FREQUENCY TUNE control and switches between the high and low band filters for the frequency range. It can be noted either by listening for actuation of the RF relays or by observing a change in the spectrum analyzer's display when connected to the RF filters.

- b. Adjust analyzer's center frequency controls for a frequency counter indication of the pass band frequency listed in table. Adjust analyzer's vertical sensitivity controls to set trace to top (reference) graticule line on display (use 2 dB log per division); this sets the reference level for the filter check.
- c. Set analyzer's frequency span controls as listed in the table. Connect test cables to RF filter input and output as shown in the test setup. Check maximum loss at pass band frequency (center vertical graticule line) and below; it should be as specified.
- d. Set analyzer's frequency span controls to zero Hz. Adjust analyzer's center frequency controls for a frequency counter indication of the stop band frequency listed in the table. Then reset frequency span controls as listed in the table and set analyzer's display for 10 dB log per division.

NOTE

To measure the stop band frequency on the highest band it is necessary to set a frequency of 492 MHz at the second vertical graticule line to the left of center. This puts 692 MHz at the center (the counter will only read to 550 MHz).

- e. Check minimum loss at stop band frequency (center vertical graticule line) and above; it should be as specified.
- f. If necessary, on the 64 - 512 MHz bands, adjust the appropriate filter components to set pass band and stop band insertion loss within the specified limits. Use a non-metallic tuning tool.

NOTE The 256 - 512 MHz high band is the most difficult to adjust and usually takes many iterations. Start with the adjustment capacitors oriented as in Figure 5-6. Stop band minimum loss should be >30 dB from 692 - 1000 MHz.

ADJUSTMENTS

5-37. RF FILTER ADJUSTMENT (Cont'd)

Table 5-3. RF Filter Check

Signal Generator			Spectrum Analyzer Frequency Span Per Division	Pass Band		Stop Band		Adjust- ment (A10A1)
RANGE (Band)	FREQUENCY TUNE*	Filter*		Frequency	Maximum Loss	Frequency	Minimum Loss	
256-512 MHz	Full cw	High	100 MHz	550 MHz	<3 dB	692 MHz	>30 dB	C81-84
	Full ccw	Low	50 MHz	356 MHz	<3 dB	460 MHz	>30 dB	L43-45
128-256 MHz	Full cw	High	50 MHz	275 MHz	<3 dB	346 MHz	>30 dB	L40-42
	Full ccw	Low	20 MHz	128 MHz	<3 dB	230 MHz	>30 dB	L37-39
64-128 MHz	Full cw	High	20 MHz	137 MHz	<3 dB	173 MHz	>30 dB	L31-33
	Full ccw	Low	10 MHz	89 MHz	<3 dB	115 MHz	>25 dB	None
32-64 MHz	Full cw	High	10 MHz	69 MHz	<3 dB	86.5 MHz	>25 dB	None
	Full ccw	Low	5 MHz	45 MHz	<3 dB	58 MHz	>25 dB	None
16-32 MHz	Full cw	High	5 MHz	34 MHz	<3 dB	43.2 MHz	>20 dB	None
	Full ccw	Low	2 MHz	22 MHz	<3 dB	28.7 MHz	>20 dB	None
8-16 MHz	Full cw	High	2 MHz	17.0 MHz	<3 dB	21.6 MHz	>15 dB	None
	Full ccw	Low	2 MHz	11.0 MHz	<3 dB	14.3 MHz	>15 dB	None
4-8 MHz			1 MHz	8.6 MHz	<3 dB	10.7 MHz	>38 dB	None
2-4 MHz			1 MHz	4.3 MHz	<3 dB	5.40 MHz	>40 dB	None
1-2 MHz			1 MHz	2.2 MHz	<3 dB	2.70 MHz	>30 dB	None
0.5-1 MHz			1 MHz	1.1 MHz	<3 dB	1.30 MHz	>30 dB	None

* The 0.5 to 8 MHz bands have a single filter for each band. Geometric mean switching does not take place and the FREQUENCY TUNE control can be left at any position.

ADJUSTMENTS

5-37. RF FILTER ADJUSTMENT (Cont'd)

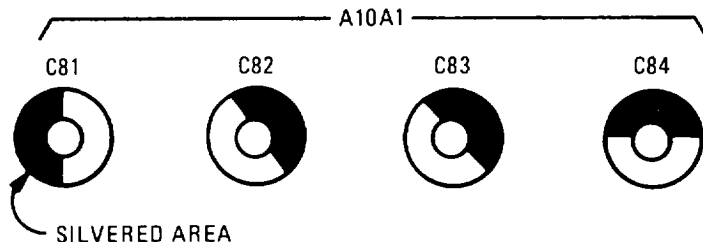


Figure 5-6. 256-512 MHz High Band Capacitor Adjustment Orientation

5-38. PRELIMINARY FM ADJUSTMENTS †

REFERENCE:

Service Sheets 6 and 7.

DESCRIPTION:

A digital voltmeter is used to correctly set the mechanical position of the FM compensation pot on the RF oscillator (this is necessary only if either the oscillator or the pot has been changed). Then the DVM is used to adjust the FM calibration voltage and the offset (balance) voltages in the FM amplifiers.

EQUIPMENT:

Digital Voltmeter HP 3480B/3484A

PROCEDURE:

1. Set Signal Generator's controls as follows:

Meter Function	FM
COUNTER MODE:	EXPAND	Off
	LOCK	Off
	Source.....	INT
AM	OFF
FM	OFF
PEAK DEVIATION	2.56 MHz

† See backdating, Tables 7-1 and 7-2.

ADJUSTMENTS

5-38. PRELIMINARY FM ADJUSTMENTS (Cont'd)

PEAK DEVIATION Vernier Full cw
 RANGE 256 - 512 MHz
 FREQUENCY TUNE Full ccw
 RF ON/OFF ON

2. To set the compensation pot, A3R2, turn generator's LINE switch to OFF. Loosen setscrews in the gear on pot's shaft. Set DVM to measure ohms and connect it between 936 and 938 wires on the pot.
3. Without changing position of FREQUENCY TUNE knob, rotate compensation pot's shaft until DVM indicates between 0 and 9 ohms across the two wires.
4. Remove DVM, tighten setscrews, and set LINE to ON.
5. To adjust amplifier offset voltages, set FM switch to DC, and set FREQUENCY TUNE to 300 MHz. Connect DVM to BUFFER OUT test point, A5TP6, and adjust BUFFER OFFSET adjustment, A5R23, for 0 ± 0.5 mVdc at A5TP6.
6. Connect DVM to A3A4TP2 and adjust OFFSET adjustment, A3A4R5, for 0 ± 0.5 mVdc at A3A4TP2.
7. Connect DVM to OUTPUT test point, A5TP2, and adjust AMPLIFIER OFFSET adjustment, A5R8, for 0 ± 1.0 mVdc at A5TP2.
8. To adjust calibration voltage, set FM switch to CAL, set DVM to measure dc voltage, and connect DVM to FM BUFFER IN test point, A5TP5. Adjust FM CAL POT, A13R3, for 1.000 ± 0.001 Vdc at A5TP5.
9. Connect DVM to VARACTOR CATHODE test point, A7TP3, and set PEAK DEVIATION switch as shown below. The DVM should read as specified.

PEAK DEVIATION	DVM Reading at A7TP3
2.56 MHz	< \pm 5.6 mVdc
1.28 MHz	< \pm 5.6 mVdc
640 kHz	< \pm 5.6 mVdc
320 kHz	< \pm 5.6 mVdc
160 kHz	< \pm 4.5 mVdc
80 kHz	< \pm 2.2 mVdc
40 kHz	< \pm 1.1 mVdc
20 kHz	<+ 0.6 mVdc
10 kHz	< \pm 0.6 mVdc
5 kHz	<+ 0.6 mVdc

ADJUSTMENTS

5-38. PRELIMINARY FM ADJUSTMENTS (Cont'd)

10. Reset PEAK DEVIATION switch to 2.56 MHz. Turn PEAK DEVIATION vernier and FREQUENCY TUNE control through their ranges. The voltage at A7TP3 should remain less than 1.5 mVdc.

_____ 1.5 mVdc

11. Set FM switch to OFF and note frequency displayed on generator's counter. Set FM to DC; the frequency should change less than 800 Hz.

_____ 800 Hz

12. To set VAR pot (VARACTOR BIAS), A7R19, connect DVM to VARACTOR ANODE test point, A7TP2, and check that voltage is -14.70 ± 0.01 Vdc. If it is not, adjust A7R19 until it is.

13. Perform the FM Linearity Adjustment, paragraph 5-39.

5-39. FM LINEARITY ADJUSTMENT

REFERENCE:

Service Sheet 7.

DESCRIPTION:

The positive and negative shaping circuits are adjusted to match the characteristics of the varactors in the RF oscillator. The reference output of a variable-phase generator is used to drive the Signal Generator's FM circuits; its variable phase output is used to drive an oscilloscope's horizontal circuits and the FM linearity circuit. A discriminator is used to demodulate the FM and the demodulated signal is subtracted (i.e., summed 180° out of phase) from the modulation signal in the FM linearity circuit and fed to the oscilloscope's vertical circuits. The shaping circuits are then adjusted for the flattest trace possible on the oscilloscope's display. A reference signal generator and a mixer are used to down-convert the test generator's output to within the range of the discriminator.

NOTE

The Preliminary FM Adjustment (5-38) should be made before performing this adjustment.

A simpler method for adjusting FM linearity, using less test equipment, is presented in paragraph 5-44. This alternate method however, is not as effective for locating the source of FM distortion when used in troubleshooting.

ADJUSTMENTS

5-39. FM LINEARITY ADJUSTMENT (Cont'd)

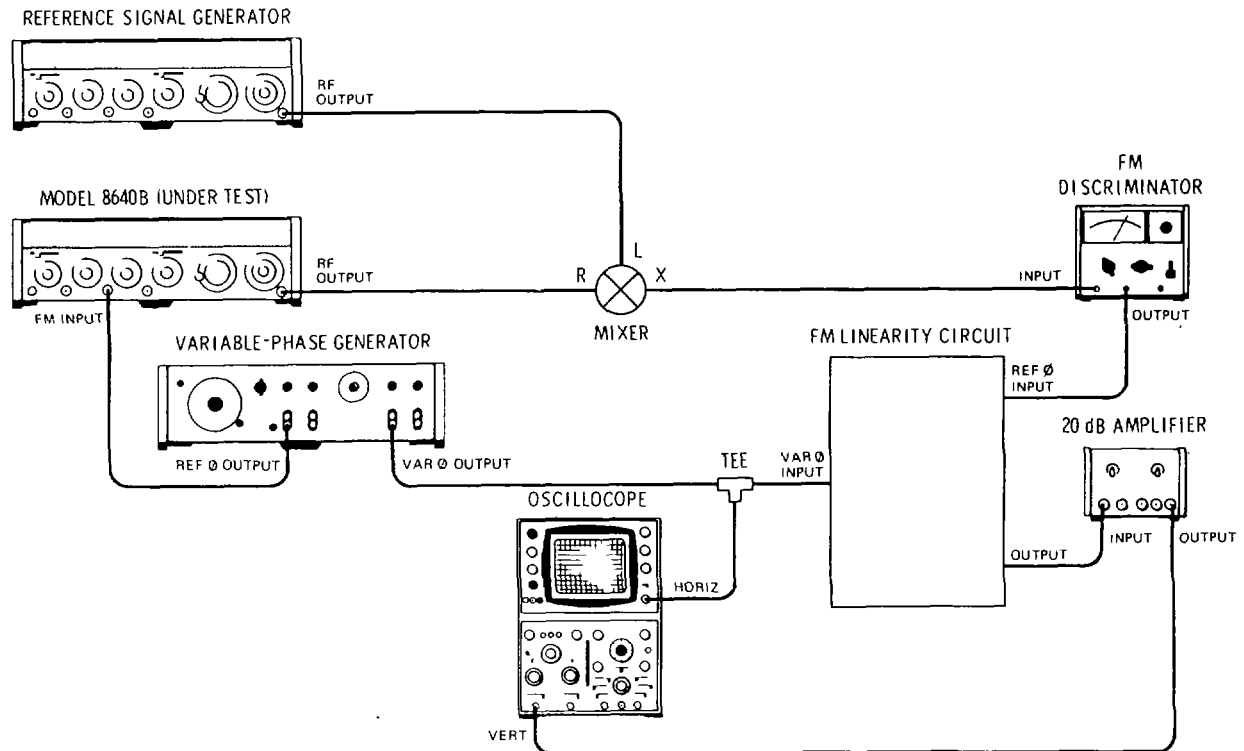


Figure 5-7. FM Linearity Adjustment Test Setup

EQUIPMENT:

Reference Signal Generator.....	HP 8640A
Mixer.....	HP 10514A
FM Discriminator	HP 5210A
Filter Kit (for Discriminator)	HP 10531A
Variable-Phase Generator.....	HP 203A
Oscilloscope.....	HP 180A/1801A/1820C
FM Linearity Circuit.....	HP 08640-60503
20 dB Amplifier	HP 465A

NOTE

The reference signal generator should have low RF drift, low residual FM (performance approximately equal to the Model 8640A) and be capable of producing 355 MHz at +7 dBm.

ADJUSTMENTS

5-39. FM LINEARITY ADJUSTMENT (Cont'd)

PROCEDURE:

1. Connect equipment as shown in Figure 5-7 after setting Signal Generator's controls as follows:

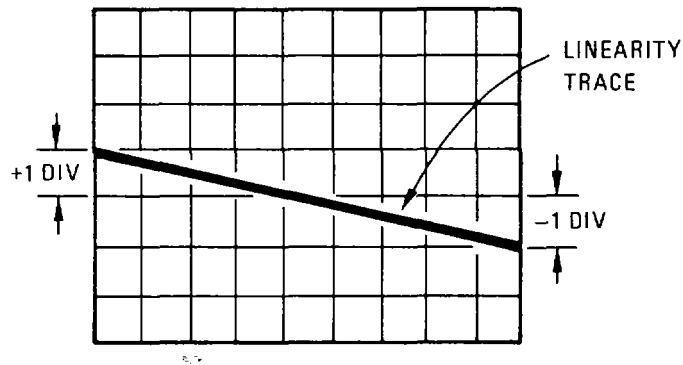
Meter Function	FM
COUNTER MODE: EXPAND.....	Off
LOCK	Off
Source	INT
AM	OFF
FMAC
PEAK DEVIATION	2.56 M Hz
PEAK DEVIATION Vernier	Full cw
RANGE	256 - 512 MHz
FREQUENCY TUNE	360 MHz
OUTPUT LEVEL	-7 dBm
RF ON/OFF.....	. ON

NOTE

If it is desired to optimize FM linearity at a frequency other than mid-band, proceed as follows:

- a. **Set RANGE and FREQUENCY TUNE to the desired frequency.**
 - b. **Set RANGE to 256 - 512 MHz.**
 - c. **Set the reference signal generator 5 MHz below the test generator's output frequency.**
2. reference signal generator for a 355 MHz, CW signal at + 7 dBm.
 3. Calibrate the discriminator; prepare a 25 kHz filter (from the filter kit) and install it in the discriminator. Set FM linearity circuit's output switch to ref \emptyset . Adjust variable-phase generator's variable phase output's amplitude and the oscilloscope's horizontal gain for full screen deflection on the display. Adjust reference signal generator for 5 MHz on the discriminator.
 4. Set variable-phase generator's reference phase output for a 1 kHz signal at an amplitude that gives a 2.56 MHz peak deviation indication on the Signal Generator's panel meter. Set linearity circuit's voltage divider switch to 100. Adjust generator's variable phase output's phase for a straight line on the display as shown in Figure 5-8. Adjust oscilloscope's vertical gain for ± 1 division at edge of display.

ADJUSTMENTS

5-39. FM LINEARITY ADJUSTMENT (Cont'd)**Figure 5-8. FM Linearity Display**

5. Set linearity circuit's output switch to $\text{ref } \phi + \text{var } \phi$ and the voltage divider switch to 1. This calibrates the display for 1% error in linearity per division.
6. Adjust variable-phase generator's variable phase output's phase and linearity circuit's $\text{var } \phi$ level control for the best possible horizontal straight line over center portion of trace.
7. Adjust POS SHAPING and NEG SHAPING adjustments, A7R12 and A7R41, for the best possible horizontal straight line at both ends of the trace (but within + one major division or + 1%).
8. Perform the FM Sensitivity Adjustment, paragraph 5-40.

5-40. FM SENSITIVITY ADJUSTMENT

REFERENCE:

Service Sheets 6 and 7.

DESCRIPTION:

The Signal Generator is frequency modulated with an accurate, 1 Vpk, 16.63 kHz signal. The modulated RF output is monitored on a spectrum analyzer and FM sensitivity is adjusted for the first carrier (Bessel) null. The adjustments are made at mid-band and at both band ends. (Peak deviation = $2.405 \times f_{\text{mod}}$ at first carrier null.)

NOTE

The FM Linearity Adjustment (5-39) should be made before performing this adjustment.

ADJUSTMENTS

5-40. FM SENSITIVITY ADJUSTMENT (Cont'd)

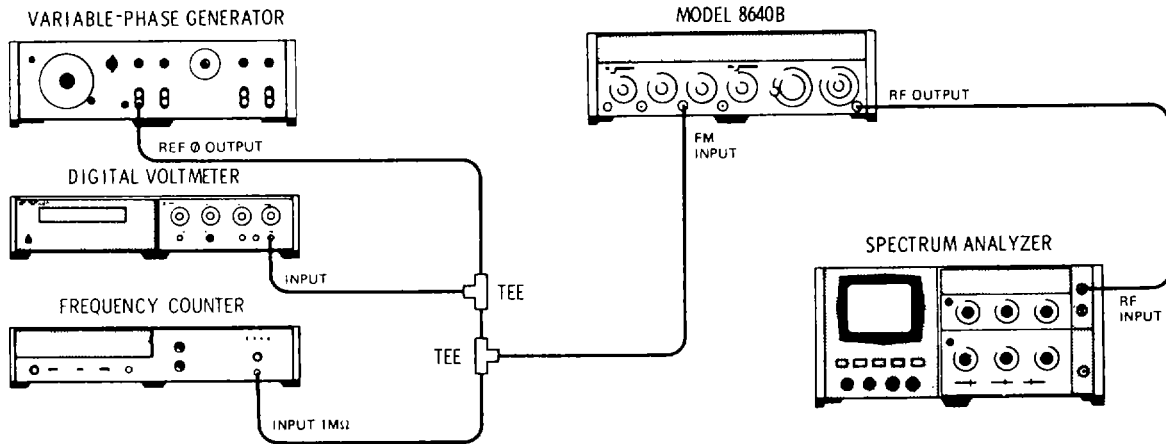


Figure 5-9. FM Sensitivity Adjustment Test Setup

EQUIPMENT:

Variable-Phase Generator.....	HP 203A
Digital Voltmeter	HP 3480B/3484A
Frequency Counter	HP 5327C
Spectrum Analyzer	HP 141T/8552B/8553B

PROCEDURE:

1. Connect equipment as shown in Figure 5-9 after setting Signal Generator's controls as follows:

Meter Function.....	FM
COUNTER MODE: EXPAND.....	Off
LOCK	Off
Source	INT
AM.....	OFF
FM	OFF
PEAK DEVIATION.....	40 kHz
PEAK DEVIATION Vernier	Full cw
RANGE.....	16 - 32 MHz
FREQUENCY TUNE.....	24 MHz
OUTPUT LEVEL.....	-37 dBm
RF ON/OFF	ON

2. Set spectrum analyzer's center frequency to 24 MHz, resolution bandwidth to 3 kHz frequency span (scan width) per division to 20 kHz, and input attenuation to 0 dB. Center signal on display and use reference level controls (set for 10 dB/division) to set signal peak to top (0 dB reference) graticule line on display.

ADJUSTMENTS

5-40. FM SENSITIVITY ADJUSTMENT (Cont'd)

3. Set Signal Generator's FM switch to AC. Adjust variable-phase generator for a frequency counter reading of 16.63 kHz at 707 mVrms as read on DVM.
4. Adjust MID FM SENS adjustment, A3A4R3, for at least 50 dB of carrier null.

NOTE

The carrier is the center spectrum line on the display. A 50 dB null is when it drops 50 dB below its CW amplitude (set in step 2).

5. Set Signal Generator's FREQUENCY TUNE to 16 MHz. Adjust analyzer to center the carrier on the display. Adjust LOW FM SENS adjustment, A3A4R2 for at least 50 dB of carrier null.
6. Set Signal Generator's FREQUENCY TUNE to 32 MHz. Adjust analyzer to center the carrier on the display. Adjust HI FM SENS adjustment, A3A4R4, for at least 50 dB of carrier null.
7. Repeat steps 4 through 6 until carrier null is ≥ 50 dB at 16, 24, and 32 MHz.
8. Perform the FM distortion and FM sensitivity and accuracy tests in Section IV.

5-41. INTERNAL REFERENCE FREQUENCY ADJUSTMENT

REFERENCE:

Service Sheet 19.

DESCRIPTION:

An oscilloscope is used to display a Lissajous figure (2:1) to set the internal reference frequency. The Lissajous figure is derived from the 10 MHz reference of a frequency counter and the Signal Generator's 5 MHz internal reference. This procedure should be performed whenever the internal reference is found to be out of specification.

ADJUSTMENTS

5-41. INTERNAL REFERENCE FREQUENCY ADJUSTMENT (Cont'd)

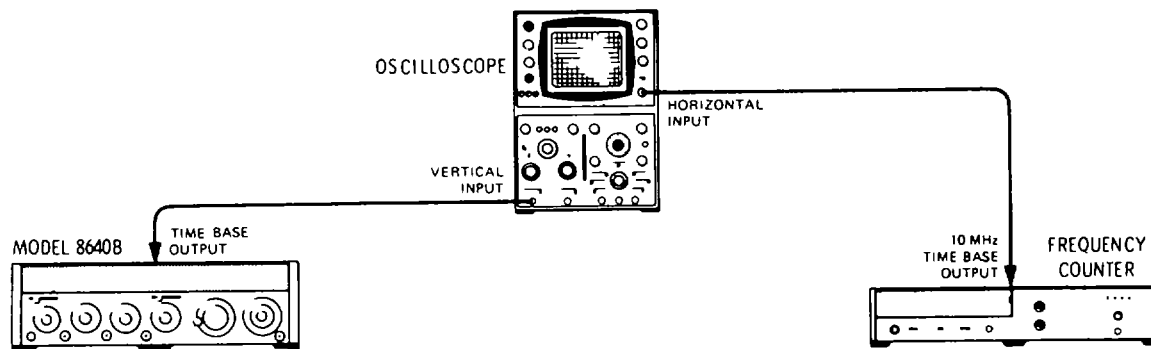


Figure 5-10. Internal Reference Frequency Adjustment Test Setup

EQUIPMENT

Frequency Counter.....	HP 5327C OPT H49
Oscilloscope.....	HP 180A/1801A/1820C

PROCEDURE:

- 1 .Remove trim strip that holds front panel window in place. Gently pull window up and out and remove it. Allow generator to warm up for 2 hours.
2. Connect equipment as shown in Figure 5-10 after setting Signal Generator's controls as follows:

TIME BASE REF INT/EXT (on rear panel)	INT
TIME BASE VERNIER	CAL
3. Set oscilloscope's vertical sensitivity to 0.05 V/div (ac) and horizontal scale for external ac. Set magnifier for X 10 and adjust oscilloscope's controls for a Lissajous figure.
- 4 Adjust time base adjustment pot (available through the hole in the front of the counter casting) for a stable 2:1 Lissajous figure (it will look approximately like a figure eight on its side).
- 5 Replace front panel window and trim strip.

ADJUSTMENTS

5-42. RF OSCILLATOR END STOP ADJUSTMENT

REFERENCE:

Service Sheets 5, 6, and 7.

DESCRIPTION:

This procedure describes the adjustment of the high and low frequency end stops of the RF Oscillator (A3). Slight adjustment of the end stops may be necessary when the RF Oscillator or Fine Tune assembly has been repaired or replaced. No special tools are required.

Normally, the adjustment can be made with the RF Oscillator in place. However, if the oscillator has already been removed, the adjustment is easier if the Connector Board Assembly (A3A4) is plugged in and the oscillator set into place with the front resting on the front panel trim strip. Temporarily connect the RF cable (W2) to the counter and install the FREQUENCY TUNE knob.

PROCEDURE:

1. Set Signal Generator's controls as follows:

RANGE.....	0.5-1 MHz
FINE TUNE.....	Centered
LINE	OFF

2. Remove bottom cover.
3. Switch LINE to ON and let instrument warm up for one hour.
4. Check that Varactor Anode bias is -14.70 ± 0.01 Vdc at A7TP2.
5. Tune FREQUENCY TUNE fully ccw. Compare the position of the stop ring teeth with Figure 5-11.

NOTE

Notice how the teeth on the stop rings line up in a staircase at the end stops. The stop pin and the adjustable stop ring determine the lower frequency limit. The stop pin and forward most stop ring determine the high frequency limit, however, adjustment of this will also effect the low frequency limit.

6. Adjust FREQUENCY TUNE fully cw. The frequency should read between 1.0752 and 1.0760 MHz. If it does not, note how far off the frequency is.
7. Adjust FREQUENCY TUNE ccw until first setscrew on front adjustment collar appears. Loosen setscrew.
8. Tune further ccw until second setscrew appears.
9. Loosen setscrew and rotate FREQUENCY TUNE up or down by the amount of correction needed (as noted in step 6), and tighten setscrew. Do not allow front adjustment collar to rotate.

ADJUSTMENTS

5-42. RF OSCILLATOR END STOP ADJUSTMENT (Cont'd)

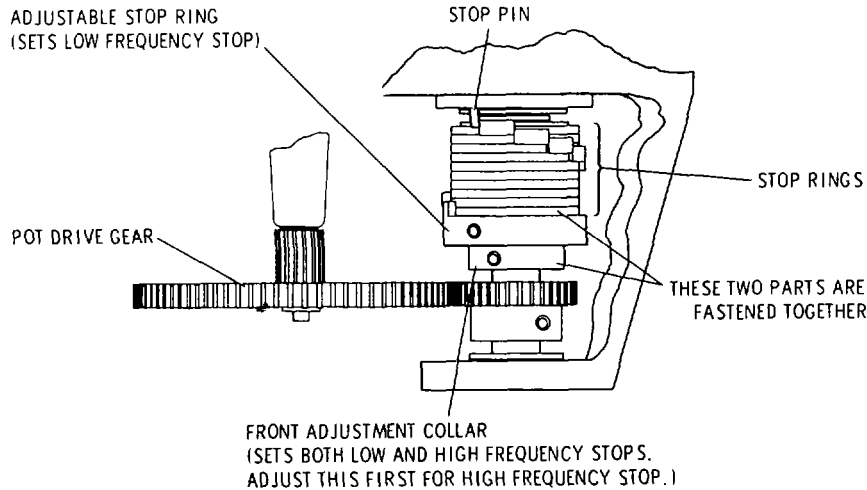


Figure 5-11. Location of RF Oscillator Stop Adjustments.

Shown in Maximum ccw Position. Top View with Instrument Upside Down.

10. Recheck high stop frequency and repeat preceding step as needed until stop frequency is correct. Then secure both setscrews.

NOTE

If the preceding steps have no effect, check that the VT and FM Gain Compensation pots do not reach their stops first. If so, loosen the gear on the pot shaft and continue.

11. Adjust FREQUENCY TUNE fully ccw. The frequency should read between 0.4475 and 0.4482 MHz. If it does not, note how far off the frequency is.
12. Adjust FREQUENCY TUNE cw until first setscrew on adjustable stop ring appears. Loosen setscrew.
13. Tune further cw until second setscrew appears.
14. Loosen setscrew and rotate FREQUENCY TUNE up or down by the amount of correction needed (as noted in step 11), and tighten setscrew. Do not allow adjustable stop ring to rotate.
15. Recheck low stop frequency and repeat preceding step as needed until stop frequency is correct. Then secure both setscrews.

CAUTION

Do not overtighten setscrews. This may crack the adjustable end stop.

NOTE

If the preceding steps have no effect, check that the VT and FM Gain Compensation pots do not reach their stops first. If so, loosen the gear on the pot shaft and continue.

ADJUSTMENTS

5-42. RF OSCILLATOR END STOP ADJUSTMENT (Cont'd)

- 16. Recheck both stop frequencies.
- 17. If either the V_T or FM Gain Compensation pots were altered, perform either the V_T Pot (A3R1) Adjustment (5-35), or Preliminary FM Adjustment (5-38).

5-43. RF OSCILLATOR OUTPUT POWER ADJUSTMENT

REFERENCE

Service Sheet 5.

DESCRIPTION

The RF Oscillator output will require adjusting if the power level varies beyond the limits +0.5 to +4.5 dBm at the Divider/Filter Buffer Amplifier, or -12 to -2 dBm at the Frequency Counter Buffer Amplifier. The power level is adjusted by changing the input loop penetration, of the appropriate buffer amplifier, in the oscillator cavity.

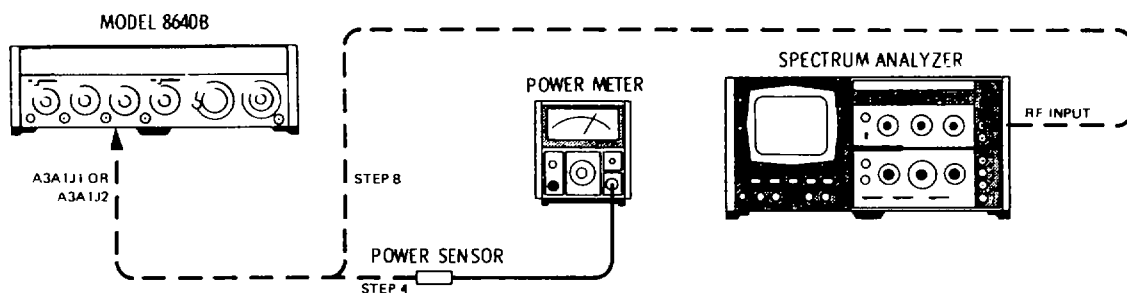


Figure 5-12. RF Oscillator Output Power Adjustment Test Setup

EQUIPMENT:

Power Meter.....	HP 435A
Power Sensor.....	HP 8481
Spectrum Analyzer .	HP 141T/8552B/8554B

PROCEDURE:

1. Remove A3 RF Oscillator from chassis.
2. Remove cover from the appropriate buffer amplifier assembly.
3. Re-insert A3A4 Connector Board Assembly into place while keeping oscillator section free of chassis. (It may be necessary to unsnap the clip on the rear of the oscillator housing to free the wiring harness).
4. Connect power meter sensor to oscillator output connector A3AIJ1 (Divider/Filter Buffer Amplifier) or A3AIJ2 (Counter Buffer Amplifier).
5. Turn LINE to ON. Tune FREQUENCY TUNE across entire band and note point of minimum power as read on power meter. Tune to frequency of minimum power.

ADJUSTMENTS

5-43. RF OSCILLATOR OUTPUT POWER ADJUSTMENT (Cont'd)

6. Loosen two screws on the buffer amplifier board and slide board forward or backward until power reads +0.5 dBm (Divider/Filter Buffer Amplifier) or -12 dBm (Counter Buffer Amplifier). (Pushing board forward will increase power.)
7. Tighten screws and check power level across band. Power should remain within the limits of +0.5 to +4.5 dBm (Divider/Filter Buffer Amplifier) or -12 to -2 dBm (Counter Buffer Amplifier).
8. Disconnect power sensor and connect spectrum analyzer to the buffer amplifier output.
9. Set analyzer's input attenuation to 50 dB, resolution bandwidth to 300 kHz, frequency controls to span 200 to 1200 MHz, and vertical sensitivity (reference level) controls to +10 dBm.
10. Tune oscillator across band and observe second and third harmonics, which should be more than 17 dB below fundamental for all frequencies.
11. Re-install RF Oscillator.
12. Perform Harmonics Test (4-17), Output Level Flatness Test (4-25), Single Sideband Phase Noise Test (4-19) or Residual FM Test (4-22), and Output Leakage Test (4-29).

5-44. FM LINEARITY ADJUSTMENT (Alternate)

REFERENCE:

Service Sheet 7.

DESCRIPTION:

The Signal Generator is modulated with a 1 kHz signal. The generator's RF output is then demodulated with an FM discriminator and the distortion on the discriminator output is observed with a spectrum analyzer. The shaping circuits are then adjusted for minimum distortion across the 0.5 to 1 MHz frequency range. (See paragraph 5-41 for another FM Linearity Adjustment which should be more useful in troubleshooting FM distortion).

NOTE

The preliminary FM Adjustment (5-38) should be made before performing this adjustment.

ADJUSTMENTS

5-44. FM LINEARITY ADJUSTMENT (Alternate) (Cont'd)

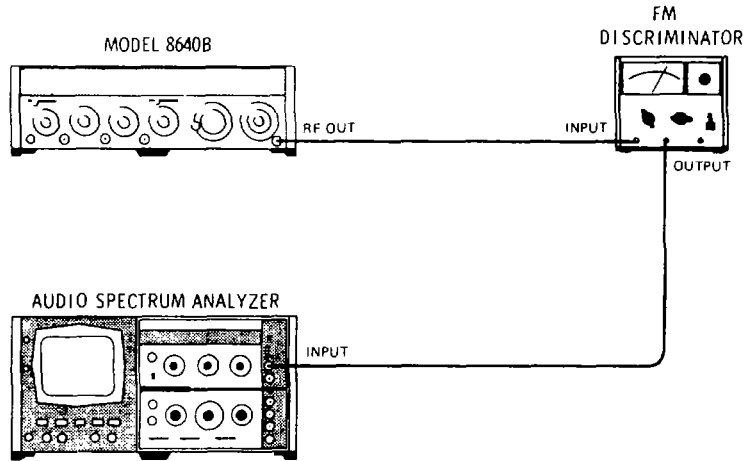


Figure 5-13. FM Linearity Adjustment (Alternate) Test Setup

EQUIPMENT:

FM Discriminator.....	HP 5210A
Filter Kit (for Discriminator)	HP 10531A
Audio Spectrum Analyzer.....	HP 141T/8552B/8556A

PROCEDURE:

1. Connect equipment as shown in Figure 5-13 after setting Signal Generator's controls as follows:

Meter Function	FM
COUNTER MODE: EXPAND	Off
LOCK.....	Off
Source	INT
AM	OFF
MODULATION FREQUENCY	1 kHz (Fixed)
FM	INT
PEAK DEVIATION	5 kHz
PEAK DEVIATION Vernier.....	.Fully cw
RANGE	0.5-1 MHz
FREQUENCY TUNE	0.7MHz
OUTPUT LEVEL	+13 dBm
RF ON/OFF	ON

NOTE

If it is desired to optimize FM linearity at a frequency other than mid-band, proceed as follows:

- a. Set RANGE and FREQUENCY TUNE to the desired frequency.
- b. Set RANGE to 0.5-1 MHz.

ADJUSTMENTS

5-44. FM LINEARITY ADJUSTMENT (Alternate) (Cont'd)

2. Using the filter kit, prepare a 25 kHz Butterworth low-pass filter and install it in the discriminator.
3. Set the discriminator's range to 1 MHz and sensitivity to 1V.
4. Set spectrum analyzer's resolution bandwidth to 100 Hz and its center frequency controls for a 0 to 5 kHz span. Set the display for 10 dB per division.
5. Use generator's PEAK DEVIATION vernier to set 5 kHz of peak deviation (as read on panel meter). Use analyzer's display reference level controls to set the demodulated 1 kHz signal to the top (reference) graticule line on the display.
6. Adjust POS SHAPE and NEG SHAPE adjustments, A7R12 and A7R41, for minimum distortion. Observe both second and third harmonics.
7. Slowly tune from 0.5 to 1 MHz and observe distortion. If harmonics are less than 30 dB down (3% distortion) or if it is desired to minimize distortion across the band, adjust A7R12 and A7R41 for best compromise. However, harmonics must always be greater than 30 dB down.
8. Perform the FM sensitivity adjustment (5-40).

5-41/ (5-42 blank)

SECTION VI REPLACEABLE PARTS

6-1. INTRODUCTION

6-2. This section contains information for ordering parts. Table 6-2 lists abbreviations used in the parts list and throughout the manual. Table 6-3 lists all replaceable parts in reference designator order. Table 6-4 contains the names and addresses that correspond to the manufacturer's code numbers.

6-3. EXCHANGE ASSEMBLIES

6-4. Table 6-1 lists assemblies within the instrument that may be replaced on an exchange basis, thus affording a considerable cost saving. Exchange, factory-repaired and tested assemblies are available only on a trade-in basis; therefore, the defective assemblies must be returned for credit. For this reason, assemblies required for spare parts stock must be ordered by the new assembly part number.

6-5. ABBREVIATIONS

6-6. Table 6-2 lists abbreviations used in the parts list, schematics and throughout the manual. In some cases, two forms of the abbreviation are used, one all in capital letters, and one partial or no capitals. This occurs because the abbreviations in the parts list are always all capitals. However, in the schematics and other parts of the manual, other abbreviation forms are used with both lower case and upper case letters.

6-7. REPLACEABLE PARTS LIST

6-8. Table 6-3 is the list of replaceable parts and is organized as follows:

- a. Electrical assemblies and their components in alpha-numerical order by reference designation.
- b. Chassis-mounted parts in alpha-numerical order by reference designation.
- c. Miscellaneous parts.

6-9. The information given for each part consist of the following:

- a. The Hewlett-Packard part number.
- b. The total quantity (Qty) in the instrument.
- c. The description of the part.
- d. A typical manufacturer of the part in a five-digit code.
- e. The manufacturer's number for the part.

6-10. The total quantity for each part is given only once at the first appearance of the part number in the list.

NOTE

Total quantities for optional assemblies are totaled by assembly and not integrated into the standard list.

6-11. ORDERING INFORMATION

6-12. To order a part listed in the replaceable parts table, quote the Hewlett-Packard part number, indicate the quantity required, and address the order to the nearest Hewlett-Packard office.

6-13. To order a part that is not listed in the replaceable parts table, include the instrument model number, instrument serial number, the description and function of the part, and the number of parts required. Address the order to the nearest Hewlett-Packard office.

6-14. SPARE PARTS KIT

6-15. Stocking spare parts for an instrument is often done to insure quick return to service after a malfunction occurs. Hewlett-Packard has a "Spare Parts Kit" available for this purpose. The kit consists of selected replaceable assemblies and components for this instrument. The contents of the kit and the "Recommended Spares" list are based on failure reports and repair data, and parts

support for one year. A complimentary "Recommended Spares" list for this instrument may be obtained on request and the "Spare Parts Kit" may be ordered through your nearest Hewlett-Packard office.

6-16. ILLUSTRATED PARTS BREAKDOWNS

6-17. Illustrated Parts Breakdowns for the following assemblies are given on the alphabetic foldout pages in this manual (located after the numbered, schematic foldouts):

- Model 8640B AI Output Level Assembly
- A8 Counter/Lock Assembly
- A9 Peak Deviation and Range Switch Assembly
- A10 Divider/Filter Assembly All Variable-Frequency Modulation Oscillator Assembly (Option 001)
- A26 AM/AGC and RF Amplifier Assembly

6-18. Figures 6-1 and 6-2 are breakdowns of the generator's cabinet parts and the parts that comprise the Type N connector, J1.

Table 6-1. Part Numbers for Exchange Assemblies

Reference Designation	Description	Part Number	
		Exchange Assy	New Assy
A1	Output Level Assy	08640-60081	08640-60113
A3	RF Oscillator Assy	08640-60079	08640-60098

Table 6-2. Reference Designations and Abbreviations (1 of 2)

REFERENCE DESIGNATIONS

A assembly	E miscellaneous	P electrical connector	U integrated circuit; microcircuit
AT attenuator; isolator; termination electrical part (movable portion); plug	V electron tube
B fan; motor	F fuse	Q transistor: SCR; triode thyristor	VR voltage regulator; breakdown diode
BT battery	FL filter	R resistor	W cable; transmission path; wire
C capacitor	H hardware	RT thermistor	X socket
CP coupler	HY circulator	S switch	Y crystal unit (piezo-electric or quartz)
CR diode; diode thyristor; varactor	J electrical connector (stationary portion); jack	T transformer	Z tuned cavity; tuned circuit
DC directional coupler	TB terminal board	
DL delay line	K relay	TC thermocouple	
DS annunciator; signaling device (audible or visual); lamp; LED	L coil; Inductor	TP test point	
	M meter		
	MP miscellaneous mechanical part		

ABBREVIATIONS

A ampere	COEF coefficient	EDP electronic data processing	INT internal
ac alternating current	COM common	ELECT electrolytic	kg kilogram
ACCESS accessory	COMP composition	ENCAP encapsulated	kHz kilohertz
ADJ adjustment	COMPL complete	EXT external	kΩ kilohm
A/ID analog-T0-digital	CONN connector	F farad	kV kilovolt
AF audio frequency	CP cadmium plate	FET field-effect transistor	lb pound
AFC automatic frequency control	CRT cathode-ray tube	F/F flip-flop	LC inductance-capacitance
AGC automatic gain control	CTL complementary transistor logic	FH flat head	LED light-emitting diode
AL aluminum	CW continuous wave	FIL H fillister head	LF low frequency
ALC automatic level control	cm centimeter	FM frequency modulation	LG long
AM amplitude modulation	D/A digital-T0-analog	FP front panel	LH left hand
AMPL amplifier	dB decibel	FREQ frequency	LIM limit
APC automatic phase control	dBm decibel referred to 1 mW	FXD fixed	LIN linear taper (used in parts list)
ASSY assembly	de direct current	g gram	lin linear
AUX auxiliary	deg degree (temperature interval or difference)	GE germanium	LK WASH lock washer
avg average degree (plane angle)	GHz gigahertz	LO low; local oscillator
AWG American wire gauge	°C degree Celsius (centigrade)	GL glass	LOG logarithmic taper (used in parts list)
BAL balance	°F degree Fahrenheit	GRD ground(ed)	log logarithm(ic)
BCD binary coded decimal	°K degree Kelvin	H henry	LPF low pass filter
BD board	DEPC deposited carbon	h hour	LV low voltage
BE CU beryllium copper	DET detector	HET heterodyne	m meter(distance)
BFO beat frequency oscillator	diam diameter	HEX hexagonal	mA milliampere
BH binder head	DIA diameter (used in parts list)	HD head	MAX maximum
BKDN breakdown	DIFF AMPL differential amplifier	HDW hardware	MfΩ megohm
BP bandpass	div division	HF high frequency	MEG meg (10 ⁶) (used in parts list)
BPF bandpass filter	DPDT double-pole, double-throw	HG mercury	MET FLM metal film
BRS brass	DR drive	HI high	MET OX metallic oxide
BWO backward-wave oscillator	DSB double sideband	HP Hewlett-Packard	MF medium frequency; microfarad (used in parts list)
CAL calibrate	DTL diode transistor logic	HPF high pass filter	MFR manufacturer
ccw counter-clockwise	DVM digital voltmeter	HR hour (used in parts list)	mg milligram
CER ceramic	ECL emitter coupled logic	HV high voltage	MHz megahertz
CHAN channel	EMF electromotive force	Hz Hertz	mH millihenry
cm centimeter		IC integrated circuit	mho mho
CMO cabinet mount only		ID inside diameter	MIN minimum
COAX coaxial		IF intermediate frequency	min minute (time)
		IMPG impregnated	minute (plane angle)
		in inch	MINAT miniature
		INCD incandescent	mm millimeter
		INCL include(s)	
		INP input	
		INS Insulation	

NOTE

All abbreviations in the parts list will be in upper-case.

Table 6-2. Reference Designations and Abbreviations (2 of 2)

MOD.....modulator	ODoutside diameter	PWV peak working	TDtime delay
MOM momentary	OH oval head voltage	TERM terminal
MOS metal-oxide	OP AMPL operational	RCresistance-	TFT thin-film transistor
..... semiconductor amplifier capacitance	TGL toggle
msmillisecond	OPT option	RECT rectifier	THD thread
MTGmounting	OSC oscillator	REF reference	THRU through
MTR meter (indicating	OX oxide	REG regulated	TI titanium
..... device)	oz ounce	REPL.....replaceable	TOL..... tolerance
mV millivolt	Ω..... ohm	RFradio frequency	TRIM.....trimmer
mVac millivolt, ac	P peak (used in parts	RFI.....radio frequency	TSTR transistor
mVdc millivolt, dc list) interference	TTLtransistor-transistor
mVpk millivolt, peak	PAM pulse-amplitude	RH..... round head; right logic
mVp-p millivolt, peak- modulation hand	TV..... television
..... to-peak	PCprinted circuit	RLCresistance-	TVI..... television interference
mVrms millivolt, rms	PCM pulse-code modula- inductance-	TWTtraveling wave tube
mW milliwatt tion; pulse-count capacitance	U..... micro (10 ⁶) (used
MUX multiplex modulation	RMOrack mount only in parts list)
MY mylar	PDM..... pulse-duration	rms root-mean-square	UF..... microfarad (used in
μA microampere modulation	RNDround parts list)
μF microfarad	PIN positive-intrinsic-	ROM read-only memory	UHF ultrahigh frequency
μH microhenry negative	R&P rack and panel	UNREG..... unregulated
μmho..... micromho	PIV..... peak inverse	RWV reverse working	V volt
μs microsecond voltage voltage	VA..... voltampere
μV microvolt	pk..... peak	Sscattering parameter	Vacvolts, ac
μVac microvolt, ac	PL phase lock	s..... second (time)	VAR variable
μVdc microvolt, dc	PLO phase lock" second (plane angle)	VCO voltage-controlled
μVpk..... microvolt, peak oscillator	S-B slow-blow (fuse) oscillator
μVp-p microvolt, peak-	PM phase modulation (used in parts list)	Vdcvolts, dc
..... to-peak	PNP positive-negative-	SCRsilicon controlled	VDCW..... volts, dc, working
μVrms microvolt, rms positive rectifier; screw (used in parts list)
μW microwatt	P/O part of	SEselenium	V(F)volts, filtered
nA..... nanoampere	POLY polystyrene	SECTsections	VFO variable-frequency
NCno connection	PORC porcelain	SEMICON semicon- oscillator
N/C normally closed	POS positive; position(s) ductor	VHF very-high fre-
NEneon	(used in parts list)	SHF superhigh fre- quency
NEG negative	POSN position	quency	SI silicon
nF..... nanofarad	POT potentiometer	quency	SIL silver
NI PL nickel plate	p-p peak-T0-peak	quency	SL slide
N/O..... normally open	PP..... peak-T0-peak (used	SNR signal-T0-noise ratio	SNR signal-T0-noise ratio
NOM..... nominal in parts list)	SPDT single-pole,	SPDT single-pole,
NORM normal	PPM pulse-position double-throw double-throw
NPN..... negative-positive- modulation	SPG spring	SPG spring
..... negative	PREAMPL preamplifier	SR split ring	SR split ring
NPO negative-positive	PRF pulse-repetition	SPST single-pole,	SPST single-pole,
..... zero (zero tempera- frequency single-throw single-throw
..... ture coefficient)	PRR pulse repetition	SSB single sideband	SSB single sideband
NRFR not recommended rate	SST stainless steel	SST stainless steel
..... for field replace-	ps picosecond	STL steel	STL steel
..... ment	PT point	SQ square	SQ square
NSR not separately	PTM pulse-time	SWR standing-wave ratio	SWR standing-wave ratio
..... replaceable modulation	SYNC synchronize	SYNC synchronize
ns nanosecond	PWM pulse-width	T timed (slow-blow fuse)	T timed (slow-blow fuse)
nW nanowatt modulation	TA tantalum	TA tantalum
OBD order by descrip- modulation	TC..... temperature	TC..... temperature
..... tion	 compensating compensating

NOTE

All abbreviations in the parts list will be in upper-case.

MULTIPLIERS

Abbreviation	Prefix	Multiple
T	tera	10 ¹²
G	giga	10 ⁹
M	mega	10 ⁶
k	kilo	10 ³
da	deka	10
d	deci	10 ⁻¹
c	centi	10 ⁻²
m	milli	10 ⁻³
μ	micro	10 ⁻⁶
n	nano	10 ⁻⁹
p	pico	10 ⁻¹²
f	femto	10 ⁻¹⁵
a	atto	10 ⁻¹⁸

Table 6-3. Replaceable Parts

Reference Designation	HP Part Number	Qty	Description	Mfr Code	Mfr Part Number
A1	08640-60113	1	OUTPUT LEVEL ASSY	28450	08640-60113
A1	08640-60081		RESTORED 08640-60113,REQUIRES EXCHANGE	28480	08640-60081
A1MP1	0380-0021	1	STANDOFF-RND .3121G .1258D .190D STL	76854	3457-420
A1MP2	0380-0029	1	STANDOFF-RND 1LG .12810 .190D STL CD-AU	76554	3457-464
A1MP3	0510-1176	1	SCREW:THREADED STRUTT	00000	0BD
A1MP4	0540-0002	1	NUT,-HEX-DBL-CHAM 5-40-THD .094-THK	76854	22041-255
A1MP5	1430-0760	1	GEAR SPUR	28480	1430-0760
A1MP6			NOT ASSIGNED		
A1MP7	2190-0020	1	WASHER-LK HLCL NO.-5 .128-IN-IC	28480	2190-0020
A1MP8	3130-0445	1	SWITCH,SGL SECT	28480	3130-0445
A1MP9	3130-0446	1	SWITCH,SGL SECT	25480	3130-0446
A1MP10	3130-0455	1	SHAFT ASSY:INNER 0.125" DIA	76854	A-3130-9008
A1MP11	3130-0038	1	COUPLER:SWITCH SST U-SHAPED	76854	12276-6
A1MP12	08640-00020	1	SUPPORT, PC BOARD	28480	08640-00020
A1MP13	08640-00023	1	SUPPORT, GEAR ASSY, ATTENUATOR	28480	08640-00023
A1MP14	08640-20266	1	SUPPORT, ATTENUATOR	28480	08640-20266
A1MP15	08640-20205	1	GEAR SPUR	28480	08640-20205
A1MP16	08640-20208	1	SHAFT GEAR	28480	08640-20208
A1MP17			NOT ASSIGNED		
A1MP18			NOT ASSIGNED		
A1MP19	1480-0082	1	PIN:SPIROL	00287	TYPE 302
A1MP20	2190-0016	1	WASHER-LK INTL T NO.-3/8 .377-IN-ID	78189	1920-02
A1MP21	2190-0019	4	WASHER-LK HLCL NO.-4 .115-IN-IC	28480	2190-0019
A1MP22	2200-0109	1	SCREW-MACH 4-40 .438-IN-LG PAN-HD-POZI	28480	2200-0109
A1MP23	2200-0141	1	SCREW-MACH 4-40 .312-IN-LG PAN-HD-POZI	28480	2200-0141
A1MP24	2200-0167	1	SCREW-MACH 4-40 .375-IN-LG 82 CEG	28480	2200-0167
A1MP25	2950-0001	1	NUT-HEX-DBL-CHAM 3/8-32-THD .094-THK	12697	20/4-13
A1MP26	3030-0007	8	SCREW-SET 4-40 .125-IN-LG SMALL CUP-PT	28480	3030-0007
A1MP27	3050-0105	5	WASHER-FL MTLC NO.-4 .125-IN-ID	28480	3050-0105
A1MP28	1430-0770	1	GEAR, SPUR	28480	1430-0770
A1R1A	2100-3292	1	RESISTOR, VAR CERMET 900 OHM	28480	2100-3292
A1A1	08640-60010	1	RF VERNIER ASSY	28480	08640-60010
A1A1R1	0698-7532	1	RESISTOR 100 .25% .125W F TC=0+-100	19701	MF4C1/8-T0-100R-C
A1A1R2	0698-7794	1	RESISTOR 10K .25% .125W F TC=0+-100	19701	MF4C1/8-T0-1002-C
A1A1R3	0698-3449	2	RESISTOR 28.7K 1% .125W F TC=0+-100	16299	C4-1/8-T0-2872-F
A1A1R4	0757-0280	14	RESISTOR 1K 1% .125W F TC=0+-100	24546	C4-1/8-T0-1001-F
A1A1R5	2100-2521	3	RESISTOR,-TRMR 2K 10% C SIDE-ADJ 1-TURN	30983	ET50X202
A1A1R6	2100-2521	3	RESISTOR-TRMR 2K 10% C SIDE-ADJ 1-TURN	30983	ET50X202
A1A2	08640-60205	1	OUTPUT ATTENUATOR ASSY	28480	08640-60205
A2	08640-60031	1	METER SWITCH/DETECTOR ASSY	28480	08640-60031
A2C1	0160-0128	1	CAPACITOR-FXD 2.2UF +-20% 50WVDC CER	28480	0160-0128
A2C2	0180-1746	2	CAPACITOR-FXD 15UF +- 10% 20VDC TA	56289	150D0156X9020B2
A2C3	0160-2199	4	CAPACITOR-FXD 30PF +- 5% 300WVDC MICA	28480	0160-2199
A2C4	0180-1746		CAPACITOR-FXD 15UFP +- 10% 20VDC TA	56289	1500156X9020B2
A2C5	0180-2207	1	CAPACITOR-FXD 100UF +- 10% 10VDC TA	56289	150D107X9010R2
A2CR1	1901-0040	5	DIODE-SWITCHING 30V 50MA 2NS DO-35	28480	1901-0040
A2MP1	4040-0749	1	EXTRACTOR-PC BD BRN POLYC .062-BD-THKNS	28480	4040-0749
	1480-0073	6	PIN:DRIVE 0.250" LG	00000	0BD
A2R1	0698-7095	1	RESISTOR 11K .25% .125W F TC=0+-50	24546	NC55
A2R2	0698-3160	4	RESISTOR 31.6K 1% .125W F TC=0+-100	16299	C4-1/8-T0-3162-F
A2R3	0698-3160		RESISTOR 31.6K 1%.125W F TC=0+-100	16299	C4-1/8-T0-3162-F
A2R4	0757-0442	17	RESISTOR 10K 1% .125W F TC=0+-100	24546	C4-L/8-T0-1002-F
A2R5	2100-2633	1	RESISTOR-TRMR 1K 10% C SIDE-ADJ 1-TURN	30983	ET50X10Z
A2R6	0698-3440	4	RESISTOR 196 1% .125W F TC=0+-100	16299	C4-1/8-T0-196R-F
A2R7	0698-3460	1	RESISTOR 422K 1%.125W F TC=0+-100	03888	PME55S
A2R8	0757-0279	5	RESISTOR 3.16K 1% .125W F TC=0+-100	24546	C4-1/8- TO-361-F
A2R9	0757-0420	3	RESISTOR 750 1% .125W F TC=0+-100	24546	C4-1/8-T0-751-F
A2R10	0698-3157	2	RESISTOR 19.6K 1% .125W F TC=0+-100	16299	C4-1/8-T0-1962-F
A2R11	0757-0398	4	RESISTOR 75 1% 125W F TC=0+-100	24546	C4-1/8-T0-75R0-F
A2S1A	3101-1728	1	SWITCH-PB 10MM C-C SPACING	28480	3101-1728
A2S1B			(INCLUDES A2S1B,C, NSR)		
			SWITCH, P-B -STA DPOT		
			(PART OF A2S1A, NSR)		
A2S1C			SWITCH, P-B -STA DPDT (PART OF A2S1A,NSR)		
A2TP1 - TP5	0360-1514	33	TERMINAL-STUD SGL-PIN PRESS-MTG	28480	0360-1514
A2U1	1820-0158	3	IC LM 302 OP AHP	27014	LM302H
A2U2	1820-0476	1	IC UA 715C OP AMP	07263	715HC
A2VR1	1902-3104	1	DIODE-ZNR 5.62V 5% DO-7 PD=.4W TC=+.016%	04713	SZ 10939-110
A2VR2	1902-0025	3	DIODE-ZNR 10V 5% DO-7 PD=.4W TC=+.06%	04713	SZ 10939-182

See introduction to this section for ordering information

Table 6-3. Replaceable Parts

Reference Designation	HP Part Number	Qty	Description	Mfr Code	Mfr Part Number
A3	08640-60099	1	RF OSCILLATOR ASSY, NRFR	28480	08640-60099
A3	08640-60098		RESTORED 08640-60099,REQUIRES EXCHANGE	28480	08640-60098
A3CI			NSR, PART DO A3		
A3C2			NSR, PART CF A3		
A3L1			NSR, PART CF A3MP10		
A3MP1	0510-0052	2	RETAINER, RING, .125 DIA, CAD PLT STL	97464	7100-12-CD
A3MP2	0510-0055	2	RETAINER, RING, .438 DIA, CAD PLT STL	97464	3100-43-ST-CD
A3MP3	1430-0537	1	GEAR SPUR	29480	1430-0537
A3MP4	1430-0759	3	GEAR SPUR	28480	1430-0759
A3MP5	08640-00085	1	GASKET, COVER (FINE TUNE)	28480	08640-00085
A3MP6	08640-20106	2	BUSHING, POT	28480	08640-20106
A3MP7	8160-0233	1	RFI PLUG BE CU IAU PL .173-OD .18-L	28480	8160-0233
A3MP8	08640-20106		BUSHING, POT	28480	08640-20106
A3MP9	08640-20224	1	CAP, TRANSISTOR	28480	08640-20224
A3MP10	08640-60206	1	OSCILLATOR FINE TUNE ASSY	28480	08640-60206
A3MP11	2200-0151	3	SCREW-MACH 4-40 PAN HD POZI REC SST-300	28480	2200-0151
A3MP12	2190-0019	5	WASHER-LK HLCL NO. 4 .115 IN ID .226 IN	28480	2190-0019
A3MP13	8160-0203	1	REF ROUND STRIP NI ALY .06-00 TD	07700	20-90044
A3MP14	0510-0055		RETAINER, RING, .438 DIA, CAD PLT STL	97464	3100-43-ST-CD
A3MP15	3030-0007	13	SCREW-SET 4-40 SMALL CUP PT HEX REC ALY	28480	3030-0007
A3MP16	1430-0759		GEAR SPUR	28480	1430-0759
A3MP17	3030-0196	2	SCREW-SET 4-40 SMALL CUP PT HEX REC ALY	28480	3030-0196
A3MP18	2190-0016		WASHER-LK INTL T .377 IN ID .507 IN OD	78189	1920-02
A3MP19	3030-0196		SCREW-SET 4-40 SMALL CUP PT HEX REC ALY	23480	3030-0196
A3MP20	2190-0016		WASHER-LK INTL T .377 IN ID .507 IN OD	78189	1920-02
A3MP21	3030-0007		SCREW-SET 4-40 SMALL CUP PT HEX REC ALY	28480	3030-0007
A3MP22	2510-0135	8	SCREW-MACH 8-32 PAN HD POZI REC SST-300	29480	2510-0135
A3MP23	3050-0001		WASHER-FL MTLC NO. 8 .172 IN ID .375 IN	73734	NO. 1445
A3MP24	2190-0017		WASHER-LK HLCL NO. 8 .168 IN ID .31 IN	28480	2190-0017
A3MP25	08640-20193		SHAFT MO. FINE TUNE	28480	08640-20193
A3MP26	0510-0015	1	RETAINER, RING, .125 DIA, CAD PLT STL	79136	5133-12-S-MD-R
A3Q1	5086-7082	1	TRANSISTOR	28490	5086-7082
A3R1	2100-3265	1	RESISTOR-VAR 10K 20% C	71450	550
A3R2	2100-0541	1	RESISTOR-VAR PREC 1K 3% WW	29480	2100-0541
			NOTE		
			WHEN REPLACING A3R1 OR R2, ALSO REPLACE BUSHING B3MP6 OR NPBS, AND LOCK-WASHER A3FIP1 OF AP20.		
A3A1	08640-60034	1	FILTER/BUFFER AMPLIFIER ASSY NRFR	28480	08640-60034
A3A1FL1	0160-0204	13	CAPACITOR-FLTR 5500PF GMV 200V	01121	SMFB-A2
A3A1FL2	0160-0204		CAPACITOR-FLTR 5500PF GMV 200V	01121	SMFB-A2
A3A1FL3	0160-0204		CAPACITOR-FLTR 5500PF GMV 200V	01121	SMFB-A2
A3A1FL4	0160-0204		CAPACITOR-FLTR 5500PF GMV 200V	01121	SMFB-A2
A3A1FL5	0160-0204		CAPACITOR-FLTR 5500PF GMV 200V	01121	SMFB-A2
A3A1FL6	0160-0204		CAPACITOR-FLTR 5500PF GMV 200V	01121	SMFB-A2
A3A1J1	1250-0830	2	CAPACI TOR-FLTR 5500PF GMV 200V	01121	SMFB-A2
A3A1J2	1250-0830		CONNECTOR-RF SMC M SGL HOLE FR	2K497	701873
A3A1MP1	0864-00011	2	CONNECTOR-RF SMC M SGL HOLE FR	2K497	701873
A3A1MP2	2200-0105	6	COVER, BUFFER BOARD	28480	08640-00011
A3A1MP3	3050-0105		SCREW-MACH 4-0 .312-IN-LG PAN-HD-POZI	28480	2200-0105
A3A1MP4	8160-0229	4	WASHER-FL MTLC NO.-4 .125-IN-ID	28480	3050-0105
A3A1MP5	08640-00011		GASKET, RFI	07700	48-90092
A3A1MP6	9160-0229		COVER, BUFFER BOARD	28480	08640-00011
A3A1MP7	2200-0105		GASKET, RFI	07700	48-90092
A3A1MP8	3050-0105		SCREW-MACH-40 .312-IN-LG PAN-HD-POZI	28480	2200-0105
A3A1MP9	2740-0001	2	WASHER-FL MTLC NO.-4 .125-IN-ID	28480	3050-0105
A3A1MP10	2190-0011	2	NUT-HEX-DBL-CHAM 10-32-THD .109-THK	28480	2740-0001
A3A1MP11	2190-0011	2	WASHER-LK INTL T NO.-10 .195-IN-ID	78189	1910-00
A3A1MP12	2740-0001		NUT-HEX-DBL-CHAM 10-32-THD .109-THK	29490	2740-0001
A3A1MP13	2190-011		WASHER-LK INTL T NO.-10 .195-IN-ID	78189	1910-00
A3A1MP14	2200-0121	10	SCREW-MACH 4-40 1.125-IN-LG PAN-HO-POZI	28480	2200-0121
A3A1MP15	2190-0019		WASHER-LK HLCL NO.-4 .115-IN-ID	28480	2190-0019
A3A1MP16	2190-0019		WASHER-LK HLCL NO.-4 .115-IN-ID	28480	2190-0019
A3A1A1	2200-0143	8	SCREW-MACH 4-40 .375-IN-LG PAN-HD-POZI	28480	2200-0143
A3A1A2			VARACTOR HEAC FILTER ASST, NRFR		
A3A1A3	08640-60024	1	RF DIVIDER/FILTER BUFFER AMPLIFIER ASSY	28480	08640-60024
A3A1A2C1	0160-3456	39	CAPACITOR-FXD 1000 PF +-10% 1000VVDC CER	28480	0160-3456
A3A1A2C2	0160-3456		CAPACITOR-FXD 1000 PF +-10% 1000VVDC CER	28480	0160-3456
A3A1A2C3	0160-3878	4	CAPACITOR-FXD 1000 PF +-20% 1000VVDC CER	28480	0160-3878
A3A1A2C4	0160-3456		CAPACITOR-FXD 1000 PF +-10% 1000VVDC CER	28480	0160-3456
A3A1A2C5	0160-3456		CAPACITOR-FXD 1000 PF +-10% 1000VVDC CER	28480	0160-3456
A3A1A2C6	0160-3878		CAPACITOR-FXD 1000 PF +-20% 1000VVDC CER	28480	0160-3878
A3A1A2C7	0160-3456		CAPACITOR-FXD 1000 PF +-10% 1000VVDC CER	28480	0160-3456
A3A1A2C8	0160-3873	1	CAPACITOR-FXD 4.7 PF +-5% 200VVDC CER	28480	0160-3873
A3A1A2C9	0160-3876		CAPACITOR-FXD 47 PF +-20% 200VVDC CER	28490	0160-3876

See introduction to this section for ordering information

† SEE TABLES 7-1 AND 7-2, FOR BACKDATING

Table 6-3. Replaceable Parts

Reference Designation	HP Part Number	Qty	Description	Mfr Code	Mfr Part Number
A3A1A2L1	9140-0142	4	COIL FXD MOLOED RF CHOKE 2.2UH 10%	24226	10/221
A3A12L2	9140-0142		COIL-FXD MOLDED RF CHOKE 2.2UH 10%	24226	10/221
A3A1A2MP1	1200-0173		INSULATOR XSTR TO-5 .075-THX	28480	1200-0173
A3A1A2Q1	1854-0247	8	TRANSISTOR NPN SI TO-39 PD=1W FT800MHZ	28480	1854-0247
A3A1A2Q2	1854-0247		TRANSISTOR NPN SI TO-39 PD=1W FT-800MHZ	28480	1854-0247
A3A1A2R1	0757-0422	4	RESISTOR 909 1% .125W F TC=0+-100	24546	C4-1/8-T0-909R-F
A3A1A2R2	0698-7212	3	RESISTOR 100 2% .05W F TC=0+-100	24546	C3-1/8-T0-100R-G
A3A1A2R3	0698-7188	2	RESISTOR 10 2% .05W F TC=0+-100	24546	C3-1/8-T0-10R-G
A3A1A2R4	0698-3445	4	RESISTOR 348 1% .125W F TC=0+-100	16299	C4-1/8-T0-348R-F
A3A1A2R5	0698-7214	2	RESISTOR 121 2% .05W F TC=0+-100	24546	C3-1/8-T0-121R-G
A3A1AZR6	0698-7224	4	RESISTOR 316 2% .05W F TC=0+-100	24546	C3-1/8-T0-316R-G
A3A1A2R7	0757-0422		RESISTOR 909 1% .125W F TC=0+-100	24546	C4-1/8-T0-909R-F
A3A1A2R8	0698-7193	2	RESISTOR 16.2 2% .05W F TC=0+-100	24546	C3-1/8-T0-16R2-G
A3A1A2R9	0698-3445		RESISTOR 348 1% .125W F TC=0+-100	16299	C4-1/8-T0-348R-F
A3A1A2R10	0698-7214		RESISTOR 121 2% .05W F TC=0+-100	24546	C3-1/8-T0-121R-G
A3A1AT1	08640-00007	3	LOOP BUFFER INPUT	28480	08640-00007
A3A1A3	08640-60037	1	COUNTER/BUFFER AMPLIFIER ASSY	28480	08640-60037
A3A1A3C1	0160-3456		CAPACITOR-FXD 1000PF +-10% 1000WVOC CER	28480	0160-3456
A3A1A3C2	0160-3456		CAPACITOR-FXD 1000PF +-10% 1000WVOC CER	28480	0160-3456
A3A1A3C3	0160-3878		CAPACITOR-FXD 1000PF +-20% 100WVOC CER	28480	0160-3878
A3A1A3C4	0160-3456		CAPACITOR-FXD 1000PF +-10% 1000WVOC CER	28480	0160-3456
A3A1A3C5	0160-3456		CAPACITOR-FXD 1000PF +-10% 1000WVOC CER	28480	0160-3456
A3A1A3C6	0160-3878		CAPACITOR-FXD 1000PF +-20% 100WVOC CER	28480	0160-3878
A3A1A3C7	0160-3456		CAPACITOR-FXD 1000PF +-10% 1000WVOC CER	28480	0160-3456
A3A1A3L1	9140-0142		COIL-FXD MOLDED RF CHOKE 2.2UH 10%	24226	10/221
A3A1A3L2	9140-0142		COIL-FXD MOLDED RF CHOKE 2.2UH 10%	24226	10/221
A3A1A3MP1	1200-0173		INSULATOR-XSTR TO-5 .075-THK	28480	1200-0173
A3A1A3Q1	168540247		TRANSISTOR NPN SI TO-39 PD=1W FT-800MHZ	28480	1854-0247
A3A1A3Q2	1854-0247		TRANSISTOR NPN SI TO-39 PD=1W FT-800MHZ	28480	1854-0247
A3A1A3R1	0757-0422		RESISTOR 909 1% .125W F TC=0+-100	24546	C4-1/8-T0-909R-F
A3A1A3R2	0698-7212		RESISTOR 100 2% .05W F TC=0+-100	24546	C3-1/8-T0-100R-G
A3A1A3R3	0698-7188		RESISTOR 10 2% .05W F TC=0+-100	24546	C3-1/5-T00-10R-G
A3A1A3R4	0698-3445		RESISTOR 348 1% .125W F TC=0+-100	16299	C4-1/8-T0-348R-F
A3A1A3R5	0698-7216	1	RESISTOR 147 2% .05W F TC=0+-100	24546	C3-1/8-T0-147R-G
A3A1A3R6	0698-7224		RESISTOR 316 2% .05W F TC=0+-100	24546	C3-1/8-T0-316R-G
A3A1A3R7	0757-0422		RESISTOR 909 1% .125W F TC=0+-100	24546	C4-1/8-T0-909R-F
A3A1A3R8	0698-7193		RESISTOR 16.2 2% .05W F TC=0+-100	24546	C3-1/8-T00-16R2-G
A3A1A3R9	0698-3445		RESISTOR 348 1% .125W F TC=0+-100	16299	C4-1/8-T0-348R-F
A3A1A3R10	0698-7196	2	RESISTOR 21.5 2% .05W F TC=0+-100	24546	C3-1/8-T00-21R5-G
A3A1A3R11	0698-7196		RESISTOR 21.5 2% .05W F TC=0+-100	24546	C3-1/8-T00-21R5-G
A3A1A3R12	0698-7205	1	RESISTOR 51.1 2% .05W F TC=0+-100	24546	C3-1/8-T00-51R1-G
A3A1A3T1	08640-00007		LOOP BUFFER INPUT	28480	08640-00007
A3A2			VARACTOR HEAD ASSY, NRFR		
A3A2C1			NSR, PART OF A3A2.		
A3A2CR1			NSR, PART OF A3A2.		
A3A2CR2			NSR, PART OF A3A2.		
A3A2CR3			NSR, PART OF A3A2.		
A3A2R1			NSR, PART OF A3A2.		
A3A3			OSCILLATOR LOOP ASSY, NRFR		
A3A4†	08640-60040	1	CONNECTOR BOARD ASSY	28480	08640-60040
A3A4C1	0160-2055	36	CAPACITOR-FXD .01UF +80-20% 100WVDC CER	28480	0160-2055
A3A4C2	0160-2055		CAPACITOR-FXD .01UF +80-20% 100WVDC CER	28480	0160-2055
A3A4R1	2100-3161	1	RESISTOR-TRMR ZOK 101 C SIDE-ADJ 17-TURN	32997	3006P-1-203
A3A4R2†	2100-3109	4	RESISTOR-TRMR 2K 101 C SIDE-ADJ 17-TURN	32997	3006P-1-202
A3A4R3	2100-3109		RESISTOR-TRMR 2K 101 C SIDE-ADJ 17-TURN	32997	3006P-1-202
A3A4R4	2100-3154	3	RESISTOR-TRMR 1K 101 C SIDE-ADJ 17-TURN	32997	3006P-1-102
A3A4R5	2100-3154		RESISTOR-TRMR 1K 101 C SIDE-ADJ 17-TURN	32997	3006P-1-102
A3A4R6	0757-0442		RESISTOR 10K 1% .125W F TC=0+-100	24546	C4-1/8-T0-1002-F
A3A4R7	0757-0420		RESISTOR 750 1% .125W F TC=0+-100	24546	C4-1/8-T0-751-F
A3A4R8	0698-0084	1	RESISTOR 2.15K 1% .125W F TC=0+-100	16299	C4-1/8-T0-2151-F
A3A4R9	0757-0416	13	RESISTOR 511 1% .125W F TC=0+-100	24546	C4-1/8-T0-511R-F
A3A4U1	1820-0158		IC LM 302 OP AMP	27014	LM302H

See introduction to this section for ordering information

† SEE TABLES 7-1 AND 7-2, FOR BACKDATING.

Table 6-3. Replaceable Parts

Reference Designation	HP Part Number	Qty	Description	Mfr Code	Mfr Part Number
A4	08640-60032	1	METER/ANNUNCIATOR DRIVE ASSY	28480	08640-60032
A4C1	0160-2199		CAPACITOR-FXD 30PF +-5% 300WVDC MICA	28480	0160-2199
A4C2	0180-0228	3	CAPACITOR-FXD 22UF+-10% 15VDC TA	56289	1500226X901502
A4CC3	0160-2055		CAPACITOR-FXD .01UF +80-20% 100WVDCDC CER	28680	0160-2055
A4C4	0160-2055		CAPACITOR-FXD .01UF +80-20% 100WVDCVDC CER	28480	0160-2055
A4C5	0160-2199		CAPACITOR-FXD 30PF +-5% 300WVDC MICA	28480	0160-2199
A4CR1	1901-0040		DIODE-SWITCHING 30V 50MA 2NS DO-35	28480	1901-0040
41CR2	1901-0025	17	DIODE-GEE PRP 100V 200MA DO-7	28480	1901-0025
A4MP1	4040-0750	2	EXTRACTOR-PC BD RED POLYC .062-BD-THKNS	28480	4040-0750
	1480-0073		PIN:DRIVE 0.250" LG	00000	OBD
A4Q1	1854-0071	17	TRANSISTOR NPN SI PD=300M FT-200M1HZ	28480	1854-0071
A4Q2	1854-0019	4	TRANSISTOR NPN SI TO-18 PD=360MW	26480	185-0019
A4Q3	1854-0019		TRANSISTOR NPN SI TO-18 PD=360MW	28480	1854-0019
A4R1	0757-0442		RESISTOR 10K 1% .125W F TC=0+-100	24546	C4-1/8-T0-1002-F
A4R2	0757-0442		RESISTOR 10K 1% .125W F TC=0+-100	24546	C4-1/8-T0-102-F
A4R3	0757-0199	3	RESISTOR 21.5K 1% .125W F TC=0+-100	24546	C4-1/8-T-2152-F
A4R4	0698-3444	3	RESISTOR 316 1% .125W F TC=0+-100	16299	C4-1/8-T0-316R-F
A4R5	0757-0460	1	RESISTOR 61.9K 1% .125W F TC=0+-100	24546	C4-1/8-T0-6192-F
A4R6	0757-0260		RESISTOR 1K 1% .125W F TC=0+-100	24546	C4-1/8-T0-1001-F
A4R7	0757-0442		RESISTOR 10K 1% .125W F TC=0+-100	24546	C4-1/8-T0-1002-F
A4R8	0757-0466	1	RESISTOR 110K 1% .125W F TC=0+-100	24546	C4-1/8-T0-1103-F
A4R9	0698-3193	2	RESISTOR 10K .25% .125W F TC=0+-50	24546	NC55
A4R10	2100-2514	1	RESISTOR-TRMR 20K 10% C SIDE-ACJ 1-TURN	30983	ET50W203
A4R11	0698-3193		RESISTOR 10K .25% .125W F TC=0+-50	24546	NC55
A4R12	0757-0279		RESISTOR 3.16K 1% .125W F TC=0+-100	24546	C4-1/8-T0-3161-F
A4R13	0757-0280		RESISTOR 1K 1 .125W F TC=0+-100	24546	C4-1/8-T0-1001-F
A4R14	0757-0280		RESISTOR 1K 1 125W F TC=0+-100	24546	C4-1/8-T0-1001-F
A4R15	0757-0346	16	RESISTOR 10 1% .125W F TC=0+-100	24546	C4-1/8-T0-10R0-F
A4R16	0757-0346		RESISTOR 10 1% .125W F TC=0+-100	24546	C4-1/8-T0-10R0-F
A4R17	0698-7340	1	RESISTOR 79.95K .25% 125W TC=0+-50	19701	MF4C1/8-T2-T9951-C
A4R18	0698-8307	1	RESISTOR 7.4K .25% .125W F TC=0+-50	19701	MF52C1/4-T2-7401-C
A4R19	2100-2521		RESISTOR-TRMR 2K 10% C SIDE-ADJ 1-TURN	30983	ET50XZ02
A4R20	0757-0280	2	RESISTOR 9.09K 1% .125W F TC=0+-100	19701	MF4C1/8-T0-9091-F
A4R21	0683-1065	1	RESISTOR 10M 5% .25W FC TC-900/+1100	01121	CR1065
A4R22	0696-5094	1	RESISTOR 5.1M 5% .25W FC TC-900/+1100	01121	C85155
A4TP1	0360-1514		TERMINAL-STUD SGL-PIN PRESS-MTG	28480	0360-1514
A4TP2	0360-1514		TERMINAL-STUD SGL-PIN PRESS-MTG	28480	0360-1514
A4TP3	0360-1514		TERMINAL-STUD SGL-PIN PRESS-MTG	28480	0360-1514
A4TP4	0360-1514		TERMINAL-STUD SGL-PIN PRESS-MTG	28460	0360-1514
A4TP5	0360-1514		TERMINAL-STUD SGL-PIN PRESS-MTG	28480	0360-1514
44TP6	0360-1514		TERMINAL-STUD SGL-PIN PRESS-MTG	28480	0360-1514
A4TP7	0360-1514		TERMINAL-STUD SGL-PIN PRESS-MTG	28480	0360-1514
A44U1	1820-0223	2	IC LM 301A OP AMP	27014	LM301AH
A4U2	1820-0223		IC LM 301A CP AMP	27014	LM301AH
A4U3	1820-0054	8	IC SN74 00 N GATE	01295	SN7400N
A4U4	1820-0511	5	IC SN74 08 N GATE	01295	SN7408N
A4VR1	1902-0025		DIODE-ZNR 10V 5% DO-7 PD-.4W TC+-.06%	04713	SZ 10939-182
A4VR2	1902-0025		DIODE-ZNR 10V 5% DO-7 PD-.4W TC+-.06%	04713	SZ 10939-182
A5	00640-60029	1	FM AMPLIFIER ASSY	28480	08640-60029
A5C1	0160-2228	2	CAPACITOR-FXD 2700PF +-5% 300WVDC MICA	20480	0160-2228
A5C2	0160-2228		CAPACITOR-FXD 2700PF +-5% 300WVDC MICA	20480	0160-2228
A5C3	0180-0116	2	CAPACITOR-FXD 6.8UF+-10% 35VDC TA	56289	1500D685X903582
A5C4	0180-1715	3	CAPACITOR-FXD 150UF+-10% 6VDC TA	56259	150D157X9006R2
A5C5	0180-0269	1	CAPACITOR-FXD 1UF+75-10% 150VDC AL	56289	3001015G1508A2
A5C6	0180-0197	21	CAPACITOR-FXD 2.2UF+-10% 20VDC TA	56289	150D225X9020A2
A5C7	0180-0116		CAPACITOR-FXD 6.8UF+-10% 35VDC TA	56289	150D685X903582
A5C8	0180-2211	1	CAPACITOR-FXD 5UF+50-10% 150VDC AL	56289	30D505F150CC2
A5C9†	0160-0939	3	CAPACITOR-FXD 430PF +-5% 300WVDC MICA	28480	0160-0939
A5CR1-			NOT ASSIGNED		
A5CR4			NOT ASSIGNED		
A5CR5	1901-0025		DIODE-GEN PRP 100V 200MA DO0-7	28480	1901-0025
A5CR6	1901-0025		DIODE-GEN PRP 100V 200MA DO7	28480	1901-0025
A5CR7	1901-0025		DIODE-GEN PRP 100V 200MA DO-7	28460	1901-0025
A5CR8	1901-0025		DIODE-GEN PRP 100V 2001MA DO-7	29480	1901-0025
A5CR9	1901-0025		DIODE-GEN PRP 100V 200MA DO-7	28480	1901-0025
A5CR10	1901-0050	6	DIODE-SWITCHING 80V 200MA 2NS DO-7	28480	1901-0050
A5CR11	1901-0050		DIODE-SWITCHING 80V 200MA 2NS DO-7	28480	1901-0050
A5CR12	1901-0050		DIODE-SWITCHING 80V 200MA 2NS DO-7	28480	1901-0050
A5CR13	1901-0025		DIODE-GEN PRP 100v 200MA DO-7	28480	1901-0025

See introduction to this section for ordering information

† SEE TABLES 7-1 AND 7-2, FOR BACKDATING.

Model 8640B

Table 6-3. Replaceable Parts

Reference Designation	HP Part Number	Qty	Description	Mfr Code	Mfr Part Number
A5K1	0490-1078	1	RELAY-REED 1A .5A 200V CONT 5V-COIL	28480	0490-1078
A5MP1	4040-0750		EXTRACTOR-PC BD RED POLYC .062-BD-THKNS	28480	4040-0750
	1480-0073		PIN:DRIVE 0.250" LG	00000	OBD
A5MP2	4040-0756	1	EXTRACTOR-PC BOARD, WHITE	28480	4040-0756
	1480-0073		PIN:DRIVE 0.250" LG	00000	OBD
A5Q1	1854-0221	2	TRANSISTOR-DUAL NPN PD=750MW	28480	1854-0221
A5Q2	1854-0221		TRANSISTOR-DUAL NPN PD=750MW	28480	1854-0221
A5Q3	1854-0404	4	TRANSISTOR NPN SI TO-18 PD=360MW	28480	1854-0404
A5Q4	1854-0404		TRANSISTOR NPN SI TO-18 PD=360FW	28480	1854-0404
A5Q5†	1853-0038	4	TRANSISTOR PNP SI TO-39 PD=1W FT=100MHZ	28480	1853-0038
	1205-0011	3	HEAT-DISSIPATOR SGL TO-5/TO-39 PKG	28480	1205-0011
	1200-0173	12	INSULATOR-XSTR TO-5 .075-THK	28480	1200-0173
A5Q6†	1853-0038		TRANSISTOR PNP SI TO-39 PD=1W FT=100MHZ	28480	1853-0038
	1205-0011		HEAT-DISSIPATOR SGL TO-5/TO-39 PKG	28480	1205-0011
	1200-0173		INSULATOR-XSTR TO-5 .075-THK	28480	1200-0173
A5Q7†	1853-0038		TRANSISTOR PNP SI TO-39 PD=1W FT=100MZ	28480	1853-0038
	1200-0173		INSULATOR-XSTR 70-5 .075-TH1	28480	1200-0173
A5Q8†	1854-0039	1	TRANSISTOR NPN 2N3053 SI TO-5 PD=1W	04713	2N3053
	1205-0011		HEAT-DISSIPATOR SGL TO-5/TO-39 PKG	28480	1205-0011
	1200-0173		INSULATOR-XSTR TO-5 .075-THK	28480	1200-0173
A5Q9†	1854-0022	2	TRANSISTOR NPN SI TO-39 PD=700MW	07263	S17843
	1200-0173		INSULATOR-XSTR TO-5 .075THK	28480	1200-0173
A5Q10	1854-0237	2	TRANSISTOR NPN SI TO-66 PD=20W FT=10MHZ	04713	2N3738
	0510-0002	2	PRESS-IN NUT 6-32 .062-LG	28480	0510-0002
	1205-0085	2	HEAT-DISSIPATOR SGL TO-49 PKG	28480	1205-0085
	2360-0199	2	SCREW-MACH 6-32 .438-IN-LG PAN-HD-POZI	28480	2360-0199
	2420-0003	2	NUT-HEX-DBL-CHAM 6-32-THD .094-THK	28480	2420-0003
	2190-0018	2	WASHER-LK HLCL NO.-6 .141-IN-IC	28480	2190-0018
	2190-0007	2	WASHER-LK INTL T NO.-6 .141-IN-ID	78189	1906-00
A5Q11†	1853-0012	1	TRANSISTOR PNP 2N29046A SI TO-5 PD=600MW	01295	2N2904A
	1200-0173		INSULATOR-XSTR TO-5 .075-THK	28480	1200-0173
A5Q12	1854-0237		TRANSISTOR NPN SI TO-66 PD=20W FT=100MHZ	04713	2N3738
	0510-0002		PRESS-IN NUT 6-32 .062-LG	28480	0510-0002
	1205-0085		HEAT-DISSIPATOR SGL TO-49 PKG	28480	1205-0085
	2360-0199		SCREW-MACH 6-32 .438-IN-LG PAN-HD-POZI	28480	2360-0199
	2420-0003		NUT-HEX-DBL-CHAM 6-32-THD .094-THK	28480	2420-0003
	2190-0018		WASHER-LK INTL T NO.-6 .141-IN-ID	28480	2190-0018
	2190-0007		WASHER-LK INTL T NO.-6 .141-IN-ID	78189	1906-00
A5R1	0698-3162	3	RESISTOR 46.4K 1% .125W F TC=0+-100	16299	C4-1/8-T0-4642-F
A5R2	0757-0180	2	RESISTOR 31.6 1% .125W F TC=0+-100	24546	C5-1/4-T0-31R6-F
A5R3	0757-0403	4	RESISTOR 121 1% .125W F TC=0+-100	24546	C4-1/8-T0-121R-F
A5R4	0757-0290	3	RESISTOR 6.19K 1% .125W F TC=0+-100	19701	MF4C1/8-T0-6191-F
A5R5	0757-0317	2	RESISTOR 1.33K 1% .125W F TC=0+-100	24546	C4-1/8-T0-1331-F
A5R6	0698-3132	3	RESISTOR 261 1% .125W F TC=0+-100	16299	C4-1/8-T0-2610-F
A5R7	0698-3410	1	RESISTOR 3.16K 1% .5W F TC=0+-100	24546	NA6
A5R8	2100-3164	1	RESISTOR-TRMR 10 20% C SIDE-ADJ 17-TURN	32997	3006P-1-100
A5R9	0698-0085	4	RESISTOR 2.61K 1% .125W F TC=0+-100	16299	C4-1/8-T0-2611-F
A5R10	0757-0317		RESISTOR 1.33K 1% .125W F TC=0+-100	24546	C4-1/8-T0-1331-F
A5R11	0698-3132		RESISTOR 261 1% .125W F TC=0+-100	16299	C4-1/8-T0-2610-F
A5R12	0757-0290		RESISTOR 6.19K 1% .125W F TC=0+-100	19701	MF4C1/8-T0-6191-F
A5R13	0757-0180		RESISTOR 31.6 1% .125W F TC=0+-100	24546	C5-1/4-T0-31R6-F
A5R14	0757-0403		RESISTOR 121 1% .125W F TC=0+-100	24546	C4-1/8-T0-121R-F
A5R15	0698-3162		RESISTOR 46.46K 1% .125W F TC=0+-100	16299	C4-1/8-T0-4642-F
A5R16	0757-0401	6	RESISTOR 100 1% .125W F TC=0+-100	24546	C4-1/8-T0-101-F
A5R17	0698-3446	1	RESISTOR 383 1% .125W F TC=0+-100	16299	C4-1/8-T0-383R-F
A5R18	0698-3132		RESISTOR 261 1% .125W F TC=0+-100	16299	C4-1/8-T0-2610-F
A5R19	0757-0401		RESISTOR 100 1% .125W F TC=0+-100	24546	C41/8-T0-101-F
A5R20	0757-0346		RESISTOR 10 1% .125W F TC=0+-100	24546	C4-1/8-T0-10R0-F
A5R21			NOT ASSIGNED		
A5R22	0698-3430	1	RESISTOR 21.5 1% .125W F TC=0+-100	03888	PME55-1/8-T0-21R54
A5R23	2100-3154		RESISTOR-TRNR 1K 10% C SIDE-ADJ T17-TURN	32997	3006P-1-102
A5R24	0757-0280		RESISTOR 1K 1% .125W F TC=0+-100	24546	C4-1/8-T0-1001-F
A5R25	0757-0280		RESISTOR 1K 1% .125W F TC=0+-100	24546	C4-1/8-T0-1001-F
A5R26	0757-0346		RESISTOR 10 1% .125W F TC=0+-100	24546	C4-1/8-T0-10R0-F
A5R27	0757-0441	2	RESISTOR 8.25K 1% .125W F TC=0+-100	24546	C4-1/8-T0-8251-F
A5R28	0757-0440	3	RESISTOR 7.5K 1% .125W F TC=0+-100	24546	C4-1/8-T0-7501-F
A5R29	0698-3158	1	RESISTOR 23.7K 1% .125W F TC=0+-100	16299	C4-1/8-T0-2372-F
A5R30	0757-0443	4	RESISTOR 11K 1% .125W F TC=0+-100	24546	C4-1/8-T0-1102-F
A5R31	0757-0442		RESISTOR 10 1% .125W F TC=0+-100	24546	C4-1/8-T0-1002-F
A5R32	0757-0438	15	RESISTOR 5.11K 1% .125W F TC=0+-100	24546	C4-1/8-T0-5111-P
A5R33	0698-0085		RESISTOR 2.61K 1% .125W F TC=0+-100	16299	C4-1/8-T0-2611-F
A5R34	0698-0085		RESISTOR 2.61K 1% .125W F TC=0+-100	16299	C4-1/8-T0-2611-F
A5R35	0757-0399	7	RESISTOR 82.5 1% .125W F TC=0+-100	24546	C4-1/8-T0-82R5-F
A5R36	0757-0399		RESISTOR 82.5 1% .125W F TC=0+-100	24546	C4-1/8-T0-8285-F
A5R37	0698-3391	1	RESISTOR 21.5 1% .5W F TC=0+-100	GM005	CEC, T-0
A5R38	0757-0198	1	RESISTOR 100 1% .5W F TC=0+-100	19701	MF7C1/2-T0-101-F
A5R39	0698-5839	2	RESISTOR 9.1 5% .25W FC TC=400/+500	01121	CB91G5
A5R40	0698-5839		RESISTOR 9.1 5% .25W FC TC=400/+500	01121	CB91G5

See introduction to this section for ordering information

† SEE TABLES 7-1 AND 7-2, FOR BACKDATING.

Table 6-3. Replaceable Parts

Reference Designation	HP Part Number	Qty	Description	Mfr Code	Mfr Part Number
A5R41	0698-3260	2	RESISTOR 464K 1% .125W F TC=0+-100	03888	PHE555
A5TP1	0360-1514		TERMINAL-STUD SGL-PIN PRESS-MTG	28680	0360-1514
A5TP2	0360-1514		TERMINAL-STUD SGL-PIN PRESS-MTG	28480	0360-1514
A5TP3	0360-1514		TERMINAL-STUD SGL-PIN PRESS-MTG	28480	0360-1514
A5TP4	0360-1514		TERMINAL-STUD SGL-PIN PRESS-MTG	28480	0360-1514
A5TP5	0360-1514		TERMINAL-STUD SGL-PIN PRESS-MTG	28480	0360-1514
A5TP6	0360-1514		TERMINAL-STUD SGL-PIN PRESS-MTG	28480	0360-1514
A5U1	1820-0158		IC LM 302 CP ANP	27014	LM302H
A6	08640-60033	1	ANNUNCIATOR ASSY	28480	08640-60033
A6DS1	2140-0427	6	LAMP-INCAND 5VDC 60MA T-1-BULB	28480	2140-0427
A6DS2	2140-0427		LAMP-INCAND 5VDC 60MA T-1-BULB	28480	2140-0427
A6DS3	2140-0427		LAMP-INCAND 5VDC 60MA T-1-BULB	28480	2140-0427
A6DS4	2140-0427		LAMP-INCAND 5VDC 60MA T-1-BULB	28480	2140-0427
A6DS5	2140-0427		LAMP-INCAND 5VDC 60MA T-1-BULB	28480	2140-0427
A6DS6	2140-0427		LAMP-INCAND 5VDC 60MA T-1-BULB	28480	2140-0427
A6P1	1251-3054	1	CONNECTOR STRIP:9 OPEN POSITION	74868	221-68
	1251-1249	1	PLZG KEY-PRINTED CIRCUIT CONN	9D949	143-953
	1251-1313	1	CONTACT-CONN FEN CRP	9D949	220-502
A6R1	0757-0346		RESISTOR 10 1% .125W F TC=0+-100	24546	C4-1/8-T0-10R0-F
47†	08640-60046	1	FP SHAPING BOARD ASSY	28480	08640-60046
A7C1	0180-1735	3	CAPACITOR-FXD .22UF+-10% 35VDC TA	56289	150D224X9035A2
A7C2	0180-1735		CAPACITOR-FXD .22UF+-10% 35VDC TA	56289	150D224X9035A2
A7C3	0180-0373	1	CAPACITOR-FXD .68UF+-10% 35VDC TA	56289	150D684X9035A2
A7C4	0180-2141	1	CAPACITOR-FXD 3.3UF+-10% 50VDC TA	56289	150D335X9050B2
A7C5	0180-0141	2	CAPACITOR-FXD 50UF+75-10% 50VDC AL	56289	300506C050DD2
A7C6	0180-1715		CAPACITOR-FXD 150UF+-10% 6VDC TA	56289	150D157X9006R2
A7C7	0160-2453	1	CAPACITOR-FXD .22UF -.10% 80WVDC POLYE	28480	0160-2453
A7C8	0180-1846	1	CAPACITOR-FXD 2.2UF+-10% 35VDC TA	56289	1500225X9035B2
A7C9	0160-2204		CAPACITOR-FXD 100PF +-5% 300WVDC MICA	93790	RDM15F101J3C
A7C10	0180-0141		CAPACITOR-FXD 50UF+75-10% 50VDC AL	56289	30050650500DD2
A7C11	0180-1715		CAPACITOR-FXD 150UF+-10% 6VDC TA	56289	1500157X9006R2
A7C12	0160-2204		CAPACITOR-FXD 100PF+-5% 300WVDC MICA	93790	RDM15F101J3C
A7C13	0180-2206	1	CAPACITOR-FXD 60UF+-10% 6VDC TA	56289	1500606X9006B2
A1CR1	1901-0033	20	DIODE-GEN PRP 180V 200MA DO-7	28480	1901-0033
A7CR2	1901-0033		DIODE-GEN PRP 180V 200MA DO-7	28480	1901-0033
A7CR3	1901-0033		DIODE-GEN PRP 180V 200MA DO-7	28480	1901-0033
A7CR4	1901-0033		DIODE-GEN PRP 180V 200MA DO-7	28480	1901-0033
A7CR5	1901-0033		DIODE-GEN PRP 180V 200MA DO-7	28480	1901-0033
A7CR6	1901-0033		DIODE-GEN PRP 180V 200MA DO-7	28480	1901-0033
A7CR7	1901-0033		DIODE-GEN PRP 180V 200MA DO-7	28480	1901-0033
A7CR8	1901-0033		DIODE-GEN PRP 180V 200MA DO-7	28480	1901-0033
A7CR9	1901-0033		DIODE-GEN PRP 180V 200MA DO-7	28480	1901-0033
A7CR10	1901-0025		DIODE-GEN PRP 180V 200MA DO-7	28480	1901-0025
A7CR11	1901-0033		DIODE-GEN PRP 180V 200MA DO-7	28480	1901-0033
A7CR12	1901-0033		DIODE-GEN PRP 180V 200MA DO-7	28480	1901-0033
A7CR13	1901-0033		DIODE-GEN PRP 180V 200MA DO-7	28480	1901-0033
A7CR14	1901-0033		DIODE-GEN PRP 180V 200MA DO-7	28480	1901-0033
A7CR15	1901-0033		DIODE-GEN PRP 180V 200MA DO-7	28480	1901-0033
A7CR16	1901-0033		DIODE-GEN PRP 180V 200MA DO-7	28480	1901-0033
A7CR17	1901-0033		DIODE-GEN PRP 180V 200MA DO-7	28480	1901-0033
A7CR18	1901-0033		DIODE-GEN PRP 180V 200MA DO-7	28480	1901-0033
A7CR19	1901-0033		DIODE-GEN PRP 180V 200MA DO-7	28480	1901-0033
47CR20	1901-0033		DIODE-GEN PRP 180V 200MA DO-7	28480	1901-0033
47CR21	1901-0033		DIODE-GEN PRP 180V 200MA DO-7	28480	1901-0033
A7J1†	1250-0835	1	CONNECTOR-RF SMC M PC	24931	37JR104-2
A7K1	0490-1080	1	RELAY-REED 1C .25A 150V CONT 5V-COIL	28480	0490-1080
A7MP1	4040-0751	1	EXTRACTOR-PC BD ORN POLYC .062-B-THKNS	28480	4040-0751
	1480-0073		PIN:DRIVE 0.250" LG	00000	OBD
A7MP2	4040-0748	1	EXTRACTOR-PC BD BLK POLYC .062-B-THKNS	28480	4040-0748
	1480-0073		PIN:DRIVE 0.250" LG	00000	OBD
A7Q1	1854-0071		TRANSISTOR NPN SI PD=300MW FT-200MHZ	28480	1854-0071
A7Q2	1854-0071		TRANSISTOR NPN SI PD=300MW FT-200MHZ	28480	1854-0071
A7Q3†	1854-0022		TRANSISTOR NPN SI TO-39 PD=700MW	07263	S17843
	1200-0173		INSULATOR-XSTR TO-5 .075-THR	28480	1200-0173
47Q4	1853-0020	9	TRANSISTOR PNP SI PD-300MW FT-150MHZ	28480	1853-0020

See introduction to this section for ordering information

† SEE TABLES 7-1 AND 7-2, FOR BACKDATING.

Table 6-3. Replaceable Parts

Reference Designation	HP Part Number	Qty	Description	Mfr Code	Mfr Part Number
A7Q5	1854-0071		TRANSISTOR NPN SI PD=300MW FT=200MLHZ	28480	1854-0071
A7Q6†	1853-0038		TRANSISTOR PNP SI TO-39 PD-1W FT=100MHZ	28480	1853-0038
	1200-0173		INSULATOR-XSTR TO-5.075-THK	28480	1200-0173
A7Q7	1853-0020		TRANSISTOR PNP SI PD=300MW FT=150MHZ	28480	1853-0020
A7Q8	1853-0020		TRANSISTOR PNP SI PD=300MW FT=1500MHZ	28480	1853-0020
A7R1	0698-3162		RESISTOR 46.4K 1% .125W F TC=0+-100	16299	C4-1/8-T0-4642-F
A7R2	0698-3450	3	RESISTOR 42.2K 1% .125W F TC=0+-100	16299	C4-1/8-T0-4222-F
A7R3	0698-3153	1	RESISTOR 3.83K 1% .125W F TC=0+-100	16299	C4-1/8-T0-3831-F
A7R4	0757-0199		RESISTOR 21.5K 1% .125W F TC=0+-100	24546	C4-1/8-T0-2152-F
A7R5	0757-0440		RESISTOR 7.5K 1% .125W F TC=0+-100	24546	C4-1/8-T0-7501-F
A7R6	0698 3243	1	RESISTOR 178K 1% .125W F TC=0+-100	16299	C4-1/8-T0-1783-F
A7R7	0698-3454	1	RESISTOR 215K 1% .125W F TC=0+-100	16299	C4-1/8-T0-2153-F
A7R8	0757-0289	1	RESISTOR 13.3K 1% .125W P TC=0+-100	19701	MF4C1/8-T0-1332-F
A7R9	0698-3161	1	RESISTOR 38.3K 1% .125W F TC=0+-100	16299	C4-1/8-T0-3832-F
A7R10	0698-3154	1	RESISTOR 4.22K 1% .125W F TC=0+-100	16299	C4-1/8-T0-4221-F
A7R11	0757-0288		RESISTOR 9.09K 1% .125W F TC=0+-100	19701	MF4C1/8-T0-9091-F
A7R12	2100-3109		RESISTOR-TRMR 2K 10% C SIDE=ADJ 17=TURN	32997	3006P-I-202
A7R13	0757-0279		RESISTOR 3.16K 1% .125W F TC=0+-100	24546	C41/8-T0-3161-F
A7R14	0698-3260		RESISTOR 4.64K 1% .125W F TC=0+-100	03888	PME55S
A7R15	0757-0458	2	RESISTOR 51.1K 1% .125W F TC=0+-100	24546	C4-1/8-T0-5112-F
A7R16	0757-0443		RESISTOR 11K 1% .125W F TC=0+-100	24546	C4-1/8-T0-1102-F
A7R17	0698-3155	3	RESISTOR 4.64K 1% .125W F TC=0+-100	16299	C4-1/8-T0-4641-F
A7R18	0757-0123	2	RESISTOR 34.5K 1% .125W F TC=0+-100	24546	C5-1/4-T0-3482-F
A7R19	2100-3103	1	RESISTOR-TRMR 10K 10% C SIDE=ADJ 17=TURN	32997	3006P-1-103
A7R20	0698-3152	1	RESISTOR 3.48K 1% .125W F TC=0+-100	16299	C4-1/8-T0-3481-F
A7R21	0757-1094	4	RESISTOR 1.47K 1% .125W F TC=0+-100	24546	C4-1/8-T0-1471-F
A7R22	0757-0278	2	RESISTOR 1.78K 1% .125W F TC=0+-100	24546	C4-1/8-T0-1781-F
A7R23	0757-0279		RESISTOR 3.16K 1% .125W F TC=0+-100	24546	C4-1/8-T0-3161-F
47R24	0757-0290		RESISTOR 6.19K 1% .125W F TC=0+-100	19701	MF41C1/8-T0-6191-F
A7R25	0757-0443		RESISTOR 11K 1% .125W F TC=0+-100	24546	C4-1/8-T0-1102-F
A7R26	0698-3157		RESISTOR 19.K 1% .125W F TC=0+-100	16299	C4-1/8-T0-1962-F
A7R27	0698-3160		RESISTOR 31.6K 1% .125W F TC=0+-100	16299	C4-1/8 T0-3162-F
A7R28‡	0757-0465	1	RESISTOR 100K 1% .125W F TC=0+-100	24546	C4-1/8-T0-1003-F
A7R29	0757-0401		RESISTOR 100 1% .125W F TC=0+-100	24546	C4-1/8-T0-101-F
A7R30	0757-0403		RESISTOR 121 1% .125W F TC=0+-100	24546	C4-1/8-T0-121R-F
A7R31	0757 0399		RESISTOR 82.5 1% .125W F TC=0+-100	24546	C4-1/8-T0-82R5-F
A7R32	0757-0395	1	RESISTOR 56.2 1% .125W F TC=0+-100	24546	C4-1/8-T0-56R2-F
A7R33	0698-3435	1	RESISTOR 38.3 1% .125W F TC=0+-100	16299	C4-1/8-T0-38R3-F
A7R34	0698-3432	2	RESISTOR 26.1 1% .125W F TC=0+-100	03888	PME55-1/8-T0-26R1-F
A7R35	0757-0294	1	RESISTOR 17.8 1% .125W F TC=0+-100	19701	MF4C1/8-T0-17R8-F
A7R36	0698-3427	1	RESISTOR 13.3 1% .125W F TC=0+-100	03888	PME55-1/8-T0-13R3-F
A7R37	0757-0346		RESISTOR 10 1% .125W F TC=0+-100	24546	C4-1/8-T0-10R0-F
A7R38	0757-0401		RESISTOR 100 1% .125W F TC=0+-100	24546	C4-1/8-T0-101-F
A7R39	0757-0280		RESISTOR 1K 1% .125W F TC=0+-100	24546	C4-1/8-T0-1001-F
A7R40	0757-0200	2	RESISTOR 5.62K 1% .125W F TC=0+-100	24546	C4-1/8-T0-5621-F
A7R41	2100-3109		RESISTOR-TRMR 2K 10% C SIDE=ADJ 17-TURN	32997	3006P-1-202
A7R42	0757-0442		RESISTOR 10K 1% .125W F TC=0+-100	24546	C4-1/8-T0-1002-F
A7R43	0698-3155		RESISTOR 4.64K 1% .125W F TC=0+-100	16299	C4-1/8-T0-4641-F
A7R44	0757-0443		RESISTOR 11K 1% .125W F TC=0+-100	24546	C4-1/8-T0-102-F
A7R45‡	0698-3159	1	RESISTOR 26.1K 1% .125W F TC=0+-100	16299	C4-1/8-T0-2612-F
A7R46	0757 0123		RESISTOR 34.8K 1% .125W F TC=0+-100	24546	C5-1/4-T0-3482-F
A7R47	0698-3449		RESISTOR 28.7K 1% .125W F TC=0+-100	16299	C4-1/8-T0-2872-F
A7R48	0757-0199		RESISTOR 21.5K 1% .125W F TC=0+-100	24546	C4-1/8-T0-2152-F
47R49	0698-3136	1	RESISTOR 17.8K 1% .125W F TC=0+-100	16299	C4-1/8-T0-1782-F
A7R50	0757-0442		RESISTOR 10K 1% .125W F TC=0+-100	24546	C4-1/8-T0-1002-F
A7R51	0757 0440		RESISTOR 7.5K 1% .125W F TC=0+-100	24546	C4-1/8-T0-7501-F
A7R52	0757-0200		RESISTOR 5.62K 1% .125W F TC=0+-100	24546	C4-1/8-T0-5621-F
A7R53	0698-3151	2	RESISTOR 2.87K 1% .125W F TC=0+-100	16299	C4-1/8-T0-2871-F
A7R54	0757-1094		RESISTOR 1.47K 1% .125W F TC=0+-100	24546	C4-1/8-T0-1471-F
A7R55	0757-0401		RESISTOR 100 1% .125W F TC=0+-100	24546	C4-1/8-T-101-F
A7R56	0698 3432		RESISTOR 26.1 1% .125W F TC=0+-100	03888	PME55-1/8-T0-26R1-F
A7R57	0698-3433	1	RESISTOR 28.7 1% .125W F TC=0+-100	03888	PME55-1/8-T0-28R7-F
A7R58	0698-3434	1	RESISTOR 34.8 1% .125W F TC=0+-100	16299	C4-1/8-T0-34R8-F
A7R59	0757-0316	1	RESISTOR 42.2 1% .125 F TC=0+-100	24546	C4-1/8-T0-42R2-F
A7R60	0757-0394	7	RESISTOR 51.1 1% .125W F TC=0+-100	24546	C4-1/8-T0-51R1-F
A7R61	0757 0276	1	RESISTOR 61.9 1% .125W F TC=0+-100	24546	C4-1/8-T0-6192-F
A7R62	0757-0398		RESISTOR 75 1% .125W F TC=0+-100	24546	C4-1/8-T0-75R0-F
A7R63	0757-0400	3	RESISTOR 90.9 1% .125W F TC=0+-100	24546	C4-1/8-T0-90R9-F
A7R64	0757-0403		RESISTOR 121 1% .125W F TC=0+-100	24546	C4-1/8-T0-121R-F
A7R65	0757-0405	1	RESISTOR 162 1% .125W F TC=0+-100	24546	C4-1/8-T0-162R-F
A7R66	0757 0401		RESISTOR 100 1% .125w F TC=0+-100	24546	C4-1/8-T0-101-F
A7R67-					
A7R69	NOT ASSIGNED				
A7R70	0698-3150	2	RESISTOR 2.37K 1% .125W F TC=0+-100	16299	C4-1/8-T0-2371-F
47R71	0757-0424	1	RESISTOR 1.1K 1% .125W F TC=0+-100	24546	C4-1/8-T0-1101-F

See introduction to this section for ordering information

† SEE TABLES 7-1 AND 7-2, FOR BACKDATING. ‡ SEE NOTE, CHANGE 34, SECTION 7.

Table 6-3. Replaceable Parts

Reference Designation	HP Part Number	Qty	Description	Mfr Code	Mfr Part Number
A7R72	0698-3450		RESISTOR 42.2K 1% 25W F TC=0+-100	16299	C4-1/8-T0-4222-F
A7R73	0698-3450		RESISTOR 42.2K 1% .125W F TC=0+-100	16299	C4-1/8-T0-4222-F
A7R74	0698-3150		RESISTOR 2.37K 1% 125W F TC=0+-100	16299	C4-1/8-T0-2371-F
A7R75	0757-0420		RESISTOR 750 1% 125W F TC=0+-100	24546	C4-1/8-T0-751-F
ATR76	0757-0441		RESISTOR 8.2SK 1% .125W F TC=0+-100	24546	C4-1/8-T0-8251-F
A7R77	0757-0438		RESISTOR 5.11K 1% 125W F TC=0+-100	24546	C4-1/8-T0-5111-F
A7R78	0757-0346		RESISTOR 10 1% 125W F TC=0+-100	24546	C4-1/8-T0-10R0-F
A7R79	0757-0416		RESISTOR 511 1% .125W F TC=0-100	24546	C4-L/8-T0-5111R-F
A7TP2	0360-1514		TERMINAL-STUD SGL-PIN PRESS-NTG	28480	0360-1514
A7TP2	0360-1514		TERMINAL-STUD SGL-PIN PRESS-IMTG	28480	0360-1514
A7TP3	0360-1514		TERMINAL-STUD SGL-PIN PRESS-MTG	28480	0360-1514
A7TP4	0360-1514		TERMINAL-STUD SGL-PIN PRESS-MTG	28480	0360-1514
A7U1	1826-0013	2	IC OP AMP	20480	1826-0013
A7U2	1820-0125	1	IC UA 711C COMPARATOR	07263	711HC
ATU3	1821-0175	1	IC SN74 05 N INV	01295	SNT405N
A7VR1	1902-0049	1	DIODE-ZNR 6.19V 5% DO-7 PD=.4W TC=+.022%	04713	SZ 10939-122
A7VR2	1902-3182	2	DIOOE-ZNR 12.1V 5% DO-7 PD=.4W TC=+.064%	04713	SZ 10939-206
A8	08640-60115	1	COUNTER/LOCK ASSY	28480	08640-60115
A8C1	0160-2049	4	CAPACITOR-FXD 5000PF +80-20% 500WVDC CER	28480	0160-2049
A8C2	0160-2049		CAPACITOR-FXD 5000PF +80-20% 500WVDC CER	28480	0160-2049
A8C3	0160-2049		CAPACITOR-FXD 5000PF +80-20% 500WVDC CER	26480	0160-2049
A8C4	0160-2049		CAPACITOR-FXD 5000PF +80-20% 500WVDC CER	28480	0160-2049
A8C5	0160-2357	2	CAPACITOR-FXD 1000PF +80-20% 500WVDC CER	28480	0160-2357
A8C6	0160-2357		CAPACITOR-FXD 1000PF +80-20% 500WVDC CER	28480	0160-2357
A8FL1	0160-0204		CAPACITOR-FLTR 5500PF GMV 200V	01121	SMFB-A2
A8FL2	0160-0204		CAPACITOR-FLTR 5500PF GMV 200V	01121	SMFB-A2
A8FL3	0160-0204		CAPACITOR-FLTR 5500PF GMV 200V	01121	SMFB-A2
A8FL4	0160-0204		CAPACITOR-FLTR 5500PF GNV 200V	01121	SMFB-A2
A8L1†	9100-2232	5	COIL-FXD MOLDED RF CHOKE .56UH 10%	24226	15/560
A8L2 †	9100-2232		COIL-FXD MOLDED RF CHOKE .56UH 10%	24226	15/560
A8L3 †	9100-2232		COIL-FXD MOLDED RF CHOKE .56UH 10%	24226	15/560
A8L4	9100-2232		COIL-FXD MOLDED RF CHOKE .56UH 10%	24226	15/560
A8L5	9100-2232		COIL-FXD MOLDED RF CHOKE .56UH 10%	24226	15/560
A8MP1	1200-0081	1	INSULATOR-BSHG-FLG .115-ID	26365	974 307
A8MP2	2190-0027	1	WASHER-LK INTL T NO.-1/4 .256-IN-ID	78189	1914-00
A8MP3	3050-0443	1	WASHER-FL NM NO.-8 .176-IN-ID .375-1N-OD	86928	5624-16-10
A8MP4	8160-0219	1	RFI STRIP NI ALY 1.06-W 2.64-L	28400	8160-0219
A8MP5	8160-0220	1	RFI STRIP NI ALY 2.48-W 4.215-L	28480	8160-0220
A8MP6	08640-00001	1	SHIELD, LED TAPE	28480	00640-00001
A8MP7	08640-00009	1	COVER, CENTER FILTER	28480	08640-00009
A8MP8	08640-00051	1	FRAME C SHIELD, LARGE	28480	06640-00051
A8MP9	08640-00052	1	FRAME C SHIELD, SMALL	28480	08640-00052
A8MP10	08640-20280	1	COVER, CONTROL INPUT	28480	06640-20280
A8MP11	08640-20201	1	HEAT SINK	28480	08640-20281
A8MP12	08640-20063	1	WINDOW COUNTER	28480	08640-20063
A8MP13	08640-20089	1	SUPPORT, PC BOARD, CENTER	28480	08641-20069
A8MP14	00640-20092	1	SHIELD, BUTTON	28480	08640-20092
A8MP15	08640-20202	1	CASTING, TOP	28480	08640-20202
A8MP16	08640-20203	1	CASTING, BOTTOM	28480	08640-20203
A8MP17	08640-40003	1	PIPE LIGHT	28480	08640-40003
A8MP18	08640-40041	1	PIPE LIGHT, OVER-FLOW	28480	08640-40041
A8MP19	5040-0391	1	BUTTON:X10	25480	5040-0391
A8MP20	5040-0392	1	BUTTON:X100	28480	5040-0392
A8MP21	5040-0393	1	BUTTON-ON	28480	5040-0393
A8NP22	5040-0394	1	BUTTON-INT	28480	5040-0394
A8MP23	5040-0395	1	BUTTON-EXT	28480	5040-0395
A8MP24	2190-0368	1	WASHER-FL MITLC NO.-5 .13-IN-ID	28480	2190-0368
A8MP25	2190-0019		WASHER-LK HLCL NO.-4 .115-IN-ID	28480	2190-0019
A8MP26	2200-0147	2	SCREW-MACH 4-40 .5-IN-LG PAN-HD-POZI	28480	2200-0147
A8MP27	2200-0107	1	SCREW-MACH 4-40 .375-IN-LG PAN-HD-POZI	28480	2200-0107
A8MP28	2200-0151	1	SCREW-MACH 4-40 .75-IN-LG PAN-HD-POZI	28480	2200-0151
A8MP29	2190-0005	1	WASHER-LK EXT T NO.-4 .116-IN-ID	78189	1804-01
A8MP30	2950-0006	1	NUT-HEX-DBL-CHAM 1/4-32-THD .094-TNK	73734	9000
A8MP31	2200-0140	1	SCREW-MACH 4-40 .25-IN-LG 100 DEC	28480	2200-0140
A8MP32	08640-00058	1	INSULATOR, COUNTER	28480	08640-00058
A8MP33	2200-0105		SCREW-MACH 4-40 .312-IN-LG PAN-HD-POZI	28480	2200-0105
A8MP34	0520-0127	1	SCREW-MACH 2-56 .188-IN-LG PAN-HD-POZI	28480	0520-0127
A8MP35	2190-0014	1	WASHER-LK INTL T NO.-2 .089-IN-ID	78189	1902-00
A8MP36	0516-0005	1	SCREW-MACH 0-80 .188-IN-LG PAN-HD-SLT	28480	0516-0005
A8MP37	2200-0103	1	SCREW-MACH 4-40 .25-IN-LG PAN-HD-POZI	28480	2200-0103
A8MP38	2200-0155	2	SCREW-MACH 4-40 1-IN-LG PAN-HD-POZI	28480	2200-0155
A8MP39	0361-0207	1	RIVET-BLIND. BLACK NYLON 0.125" DIA	00000	OBD
A8MP40	2200-0504	1	SCREW-MACH 4-40 1.062-IN-LG PAN-HD	28480	2200-0504

See introduction to this section for ordering information

† SEE TABLES 7-1 AND 7-2, FOR BACKDATING.

Table 6-3. Replaceable Parts

Reference Designation	HP Part Number	Qty	Description	Mfr. Code	Mfr Part Number
A8MP41	08640-40067	1	KNOB, TIME EASE	28480	08640-40067
A8MP42	2190-0012	1	WASHER-LK EXT T NO.-10 .195-IN-ID	78189	1810-00
A8MP43	2190-0057	1	WASHER-LK INTL T NO.-12 .218-IN-ID	78189	1912-03
A8MP44	2680-0128	1	SCREW-MACH 10-32 .25-IN-LG PAN-HD-POZI	28480	2680-0128
A8MP45	08640-20088	2	NUT, HEAT SINK	28480	08640-20088
A8O1	1990-0507	6	DISPLAY NUM DOT MAT 1 CHAR .29 IN HIGH	28480	1990-0507
A8O2	1990 0507		DISPLAY NUM DOT MAT 1 CHAR .29 IN HIGH	28480	1090-0507
A8O3	1990-0507		DISPLAY NUM DOT MAT 1 CHAR .29 IN HIGH	28480	1990-0507
A8O4	1990-0507		DISPLAY NUM DOT MAT 1 CHAR .29 IN HIGH	28480	1990-0507
A8O5	1990-0507		DISPLAY NUM DOT MAT 1 CHAR .29 IN HIGH	28480	1990-0507
A8O6	1990-0507		DISPLAY NUM DOT MAT 1 CHAR .29 IN HIGH	28480	1990-0507
A8A1	08640-60168	1	RF SCALER ASSY	28480	08640-60168
A8A1	08640-60097		SAME AS 08640-60168 WITHOUT U2 AND U5.	28480	08640-60097
A8A1C1	0180-0197		CAPACITOR-FXD 2.2UF+-10% 20VDC TA	56289	150D225X9020A2
A8A1C2	0180-0197		CAPACITOR-FXD 2.2UF+-10% 20VDC TA	56289	150D225X9020A2
A8A1C3	0160-3879	9	CAPACITOR-FXD .01UF +-20% 100WVDC CER	28480	0160-3879
A8A1C4	0160-3879		CAPACITOR-FXD .01UF +-20% 100WVDC CER	28480	0160-3879
A8A1C5			NOT ASSIGNED		
A8A1C6	0160-3879		CAPACITOR FXD .01UF +-20% 100WVDC CER	28480	0160-3879
A8A1C7	0160-2204		CAPACITOR FXD 100PF +-5% 300WVDC MICA	93790	RDM15F101J3C
A8A1CR1	1901-0050		DIODE-SWITCHING 80V 200MA 2NS 00-7	28480	1901-0050
A8A1CR2	1901-0050		DIODE-SWITCHING 80V 200MA 2NS 00-7	28480	1901-0050
A8A1CR3	1901-0050		DIODE-SWITCHING 80V 200MA 2NS 00-7	28480	1901-0050
A8A1J1	1250-1220	6	CONNECTOR-RF SMC M PC	98291	50-051-0109
A8A1J2	1250-1220		CONNECTOR-RF SMC M PC	99291	50-051-0109
A8A1K1	0490 1073	6	RELAY-RFED 1A 250MA 120VAC 4.5VDC-COIL	28480	0490-1073
A8A1K2	0490-1073		RELAY-RFED 1A 250MA 120VAC 4.5VDC-COIL	28480	0490-1073
A8A1MP1	08640-20088		NUT, HEAT SINK	28480	08640-20088
A8A1MP2	0360-0124	2	TERMINAL-STUD SGL-PIN PRESS-MTG	28480	0360-0124
A8A1MP3	0360-0124		TERMINAL-STUD SGL-PIN PRESS-MTG	28480	0360-0124
A8A1MP4	0361-0036	1	RIVET:SEMITUBULAR 0.89" BODY DIA	00000	0BD
A8A1Q1	1854-0404		TRANSISTOR NPN SI TO-18 PD=360MW	28480	1854-0404
A8A1Q2	1854-0404		TRANSISTOR NPN SI TO-18 PD=360MW	28480	1854-0404
A8A1R1	0698-7236	2	RESISTOR 1K 2% .05W F TC=0+-100	24546	C3-1/8-TO-1001-G
A8A1R2			NOT ASSIGNED		
A8A1R3			NOT ASSIGNED		
A8A1R4	0698-7248	4	RESISTOR 3.16K 2% .05W F TC=0+-100	24546	C3-1/8-TO-3161-G
A8A1R5	0698-7248		RESISTOR 3.16K 2% .05W F TC=0+-100	24546	C3-1/8-TO-3161-G
A8A1R6	0698 7212		RESISTOR 100 2% .05W F TC=0+-100	24546	C3-1/8-TO-100R-G
A8A1R7	0757-0394		RESISTOR 51.1 1% .125W F TC=0+-100	24546	C4-1/8-TO-51R1-F
A8A1R8	0757-0416		RESISTOR 511 1% .125W F TC=0+-100	24546	C4-1/8-TO-51LR-F
A8A1R9	0757-0416		RESISTOR 511 1% .125W F TC=0+-100	24546	C4-1/8-TO-51R-F
A8A1R10	0757-1094		RESISTOR 1.47K 1% .125W F TC=0+-100	24546	C4-1/8-TO-1471-F
A8A1R11	0757-0416		RESISTOR 511 1% .125W F TC=0+-1100	24546	C4-1/8-TO-511R-F
A8A1R12	0698-7221	2	RESISTOR 237 2% .05W F TC=0+-100	24546	C3-1/8-TO-237R-G
A8A1R13	0698-7197	1	RESISTOR 23.7 2% .05W F TC=0+-100	24546	C3-1/8-TO-23R7TG
A8A1R14	0698-7221		RESISTOR 237 2% .05W F TC=0+-100	24546	C3-1/8-TO-237R-G
A8A1U1	1820 0736	3	IC COUNTER	28480	1820-0736
A8A1U2	1820-1003	1	IC COUNTER	28480	1820-1003
A8A1U3	1820-0145	6	IC MC 1010P GATE	04713	MC1010P
A8A1U4	1820-0102	6	IC MC 1013P FLIP-FLOP	04713	MC1013P
A8A1U5	5086-7089	1	TRIGGER AMPLIFIER	28480	5086-7089
A8A2	08640-60027	1	COUNTER/LOCK BOARD ASSY	28490	08640-60027
A8A2	08640-60187		RESTORED 08640-60189 OR 60258, REQUIRES EXCHANGE.	28480	08640-60187
A8A2C1	0160-3456		CAPACITOR-FXD 1000PF +- 10% 1000WVDC CER	28480	0160-3456
A8A2C2	0160-3094	13	CAPACITOR-FXD .10F +- 10% 100WVDC CER	28480	0160-3094
A8A2C3	0160-3094		CAPACITOR-FXD .10UF +- 10% 100WVDC CER	28480	0160-3094
A8A2C4	0180-0049	1	CAPACITOR-FXD .20UF +- 75-10% 50VDC AL	56289	30D206G050CC2
A8A2C5	0180-1735		CAPACITOR-FXD .22UF +- 10% 35VDC TA	56289	1500224X9035A2
A8A2C6	0180-0197		CAPACITOR-FXD 2.20UF +- 10% 20VDC TA	56289	1500225X90200A2
A8A2C7	0160-3456		CAPACITOR-FXD 1000PF +- 10% 1000WVDC CER	28480	0160-3456
A8A2C8	0180-0228		CAPACITOR-FXD 22UF +- 10% 15VDC TA	56289	150D226X901582
A8A2C9	0180-0228		CAPACITOR-FXD 22UF +- 10% 15 VDC TA	56289	150D226X901582
A8A2C10	0160 3455		CAPACITOR-FXD 470PF +- 10% 1000WVDC CER	28480	0160-3455
A8A2C11†	0160-3455	2	CAPACITOR-FXD 470PF +- 10% 1000WVDC CER	28480	0160-3455
A8A2C12 †	0160-3466	1	CAPACITOR-FXD 100PF +- 10% 1000WVDC CER	28480	0160-3466
A8A2C13	0160-2207	1	CAPACITOR-FXD 300PF +- 5% 300WVDC MICA	28480	0160-2207
A8A2C14	0160-3877	3	CAPACITOR-FXD 100PF +- 20% 200WVDC CER	28480	0160-3877
A8A2C15	0160-3879		CAPACITOR-FXD .01UF +- 20% 100WVDC CER	28480	0160-3879

See introduction for ordering information

†SEE TABLES 7-1 AND 7-2, FOR BACKDATING.

Table 6-3. Replaceable Parts

Reference Designation	HP Part Number	Qty	Description	Mfr Code	Mfr Part Number
A8A2C16	0160-3879	4	CAPACITOR-FXD .01UF +-20% 100WVDC CER	28480	0160-3879
A8A2C17	0160-0174		CAPACITOR-FXD .47UF +- 80-20% 25WVDC CER	28480	0160-0174
A8A2C18	0160-3094		CAPACITOR-FXD .1UF +- 10% 100WVDC CER	28480	0160-3094
A8A2C19†	0160-2201		CAPACITOR-FXD 51PF +- 5% 300WVDC MICA	28480	0160-2201
A8A2C20	0180-0291	1	CAPACITOR-FXD 1UF +-10% 35VDC TA	56289	150D105X9035A2
A8A2C21	0180-0197	4	CAPACITOR-FXD 2.2UF+-10% 20VDC TA	56289	150D225X9020A2
A8A2C22	0160-3879		CAPACITOR-FXD .01UF + 2% 100WVDC CER	28480	0160-3879
A8A2C23	0180-0197		CAPACITOR-FXD 2.2UF10% 20VDC TA	56289	150D225X9020A2
A8A2C24	0160-2055		CAPACITOR-FXD .01UF +80-20% 10WVDC CER	28480	0160-2055
A8A2C25	0160-2055		CAPACITOR-FXD .01UF +80-20% 100WVDC CER	28480	0160-2055
A8A2C26	0160-2055		CAPACITOR-FXD .01UF +80%20% 100WVDC CER	28480	0160 2055
A8A2C27†	0160-2204	5	CAPACITOR-FXD 100PF +-5%300WVDC MICA	93790	RDM1SF101J3C
A8A2C28 †	0160-3876	4	CAPACITOR-FXD 47PF +-20% 200WVDC CER	28480	0160- 3876
A8A2C29 †	0160-3876	4	CAPACITOR-FXD 47PF +-20% 200WVDC CER	28480	0160-3876
A8A2C30 †	0160-3876		CAPACITOR-FXD 47PF+ -20% 200WVDC CER	28480	0160-3876
A8A2CR1	1901-0040		DIODE-SWITCHING 30V 50MA 2NS D0-35	28480	1901-0040
A8A2CR2	1901-0040		DIODE-SWITCHING 30V 50MA 2NS D0-35	28480	1901-0040
A8A2J1	1200-0448	1	SOCKET-IC 1-CONT DIP-SLDR-TERMS	27264	1938-4G1
A8A2L1†	9100 1622	1	COIL-FXD MOLDED RF CHOKE 24UH 5%	24226	15/242
A8A2L2 †	9100-1620	6	COIL-FXD MOLDED RF CHOKE 15UH 10	24226	15/152
A8A2Q1	1854-0071	1	TRANSISTOR NPN SI PD=300MW FT=200MHZ	28480	1854-0071
A8A2Q2	1853-0020		TRANSISTOR PNP SI PD=300MW FT=150MHZ	28480	1853-0020
A8A2Q3	1853-0020		TRANSISTOR PNP SI PD=300MW FT=150MFZ	28480	1853-0020
A8A2Q4	1854-0071		TRANSISTOR NPN SI PD=300MW FT=200MHZ	28480	1854-0071
A8A2A5	1854-0071		TRANSISTOR NPN SI PD=300MW FT=200MHZ	28480	1854-0071
A8A2Q6	1855-0062	1	TRANSISTOR J-FET N-CHAN D-MODE SI	28480	1855-0062
A8A2Q7	1853 0020		TRANSISTOR PNP SI PD=300MW FT=150MHZ	28480	1853-0020
A8A2Q8	1854-0071		TRANSISTOR NPN SI PD=300MW FT=200MHZ	28480	1854-0071
A8A2Q9	1854-0071		TRANSISTOR NPN SI PD=300MW FT=200MHZ	28480	1854-0071
A8A2Q10	1854-0071		TRANSISTOR NPN SI PD=300MW FT=200MHZ	28480	1854-0071
A8A2Q11	1854-0071	1	TRANSISTOR NPN SI PD=300MW FT=200MHZ	28480	1854-0071
A8A2Q12	1854 0071		TRANSISTOR NPN SI PD=300MW FT=200MHZ	28480	1854-0071
A8A2Q13	1853-0020		TRANSISTOR PNP SI PD=300MW FT=150MHZ	28480	1853-0020
A8A2Q14	1854-0071		TRANSISTOR NPN SI PD=300MW FT=200MHZ	28480	1854-0071
A8A2Q15	1854-0071		TRANSISTOR NPN SI PD=300MW FT=200MHZ	28480	1854-0071
A8A2Q16	1853-0020	1	TRANSISTOR PNP SI PD=300MW FT=150MHZ	28480	1853-0020
A8A2Q17	1853-0020		TRANSISTOR PNP SI PD=300MW FT=150MHZ	28480	1853-0020
A8A2Q18	1854-0071		TRANSISTOR NPN SI PD=300MW FT=200MHZ	28480	1854-0071
A8A2R1	0698-3440	6	RESISTOR 196 1% .125W F TC=0+-100	16299	C4-1/8 TO-1962-F
A8A2R2	0757-0438		RESISTOR 5.11K 1% .125W F TC=0+-100	24546	C4-1/8-TO-5111-F
A8A2R3	0698-7253		RESISTOR 5.11K 2% .05W F TC=0+-100	24546	C3-1/8-TO-5111-G
A8A2R4	0698-7253		RESISTOR 5.11K 2% .05W F TC=0+-100	24546	C3-1/8-TO-5111-G
A8A2R5	0698-7239		RESISTOR 1.33K 2% .05W F TC=0+-100	24546	C3-1/8-TO-1331-G
A8A2R6	0698-7239	2	RESISTOR 1.33K 2% .05W F TC=0+-100	24546	C3-1/8-TO-1331-G
A8A2R7	0698-7246		RESISTOR 2.61K 2% .05W F TC=0+-100	24546	C3-1/8-TO-2611-G
A8A2R8	0698-7246		RESISTOR 2.61K 2% .05W F TC=0+-100	24546	C3-1/8-TO-2611-G
A8A2R9	0698-7277		RESISTOR 51.1K 2% .05W F TC=0+-100	24546	C3-1/8-TO-5112-G
A8A2R10	0698-7277		RESISTOR 51.1K 2% .05W F TC=0+-100	24546	C3-1/8-TO-5112-G
A8A2R11	0683-8245	2	RESISTOR 820K 5% .25W FC TC=-800/+900	01121	C88245
A8A2R12	0683-8245		RESISTOR 820K 5% .25W FC TC=-800/+900	01121	C88245
A8A2R13	0698-7267	2	RESISTOR 19.6K 2% .05W F TC=0+-100	24546	C3-1/8-TO-1962-G
A8A2R14	0698-7272		RESISTOR 31.6K 2% .05W F TC=0+-100	24546	C3-1/8-TO-3162-G
A8A2R15	0698-7277	1	RESISTOR 51.1K 2% .05W F TC=0+-100	24546	C3-1/8-TO-5112-G
A8A2R16	0698-7267	3	RESISTOR 19.6K 2% .05W F TC=0+-100	24546	C3-1/8-TO-1962-G
A8A2R17	0698-7284		RESISTOR 100K 2% .05W F TC=0+-100	24546	C3-1/8-TO-0033-G
A8A2R18	0698-7284		RESISTOR 100K 2% .05W F TC=0+-100	24546	C3-1/8-TO-1003-G
A8A2R19	0698-7277		RESISTOR 51.1K 2% .05W F TC=0+-100	24546	C3-1/8-TO-5112-G
A8A2R20	0698-7288		RESISTOR 147K 2% .05W F TC=0+-100	24546	C3-1/8-TO-1473-G
A8A2R21	0698-7253	5	RESISTOR 5.11K 2% .05W F TC=0+-100	24546	C3-1/8-TO-5111-G
A8A2R22	0698-7253		RESISTOR 5.11K 2% .05W F TC=0+-100	24546	C3-1/8-TO-5111-G
A8A2R23	0698-7277		RESISTOR 51.1K 2% .05W F TC=0+-100	24546	C3-1/8-TO-5112-G
A8A2R24	0698-7260		RESISTOR 10K 2% .05W F TC=0+-100	24546	C3-1/8-TO-1002-G
A8A2R25	0698-7284		RESISTOR 100K 2% .05W F TC=0+-100	24546	C3-1/8-TO-1003G
A8A2R26	0698-3453	1	RESISTOR 196K 1% .125W F TC=0+-100	16299	C3-1/8-TO-1963-F
A8A2R27		1	RESISTOR 10K 2% .05W F TC=0+-100	24546	C3-1/8-TO-1002-G
A8A2R28	0698-7260		RESISTOR 10K 2% .05W F TC=0+-100	24546	C3-1/8-TO-1002-G
A8A2R29	0698-7256		RESISTOR 6.81K 2% .05W F TC=0+-100	24546	C3-1/8-TO-6811-G
A8A2R30	0698-7258		RESISTOR 8.25K 2% .05W F TC=0+-100	24546	C3-1/8-TO-8251-G
A8A2R31	0698-7260	1	RESISTOR 10K 2% .05W F TC=0+-100	24546	C3-1/8-TO-1002-G
A8A2R32	0698-7260		RESISTOR 10K 2% .05W F TC=0+-100	24546	C3-1/8-TO-1002-G
A8A2R33	0698-7264		RESISTOR 14.7K 2% .05W F TC=0+-100	24546	C3-1/8-TO-1472-G
A8A2R34	0698-7243		RESISTOR 1.96K 2% .05W F TC=0+-100	24546	C3-1/8-TO-1961-G
A8A2R35	0698-7229		5	RESISTOR 511 2% .05W F TC=0+-100	24546

See introduction for ordering information

†SEE TABLES 7-1 AND 7-2, FOR BACKDATING.

Table 6-3. Replaceable Parts

Reference Designation	HP Part Number	Qty	Description	Mfr Code	Mfr Part Number
A8A2R36	0757-0442	1	RESISTOR 10K 1% .125W F TC=0+-100	24546	C4-1/8-TO-1002-F
A8A2R37	0757-0416		RESISTOR 511 1% .125W F TC=0+-100	24546	C4-1/8-TO-511R-F
A8A2R38	0698-3442		RESISTOR 237 1% .125W F TC=0+-100	16299	C4-1/8-TO-237R-F
A8A2R39	0757-0442		RESISTOR 10K 1% .125W F TC=0+-100	24546	C4-1/8-TO-1002-F
A8A2R40	0757-0279		RESISTOR 3.16K 1% .125W F TC=0+-100	24546	C4-1/8-TO-3161-F
A8A2R41	0757-0442		RESISTOR 10K 1% .125W F TC=0+-100	24546	C4-1/8-TO-1002-F
A8A2R42	0698-0083		RESISTOR 1.96K 1% .125W F TC=0+-100	16299	C4-1/8-TO-1961-F
A8A2R43	0698-0083		RESISTOR 1.96K 1% .125W F TC=0+-100	16299	C4-1/8-TO-1961-F
A8A2R44	0698-0083		RESISTOR 1.96K 1% .125W F TC=0+-100	16299	C4-1/8-TO-1961-F
A8A2R45	0757-0416		RESISTOR 511 1% .125W F TC=0+-100	24546	C4-1/8-TO-511R-F
A8A2R46			NOT ASSIGNED		
A8A2R47	0757-0416		RESISTOR 511 1% .125W F TC=0+-100	24546	C4-1/8-TO-511R-F
A8A2R48			NOT ASSIGNED		
A8A2R49	0698 7229		RESISTOR 511 2% .05W F TC=0+-100	24546	C3-1/8-TO-511R-G
A8A2R50	0757-0280		RESISTOR 1K 1% .125W F TC=0+-100	24546	C4-1/8-TO-1001-F
A8A2R51	0698-7248		RESISTOR 3.16K 2% .05W F TC=0+-100	24546	C3-1/8-TO-3161-G
A8A2R52	0698-7248		RESISTOR 3.16K 2% .05W F TC=0+-100	24546	C3-1/8-TO-3161G
A8A2R53	0698-7229		RESISTOR 511 2% .05W F TC=0+-100	24546	C3-1/8-TO-511R-G
A8A2R54	0698-7229		RESISTOR 511 2% .05W F TC=0+-100	24546	C3-1/8-TO-511R-G
A8A2R55	0698-7236		RESISTOR 1K 2% .05W F TC=0+-100	24546	C3-1/8 TO-1001-G
A8A2R56	0811-1662	1	RESISTOR .47 5% 2W PW TC=0+-800	75042	BWH2-47/100-J
A8A2R57	0698-7219	3	RESISTOR 196 2% .05W F TC=0+-100	24546	C3-1/8-TO-196R-G
A8A2S1A	3101-1729	1	SWITCH-P8 15MM C-C SPACING	28480	3101-1729
A8A2S1B			NSR P/O A8A2S1A		
A8A2S1C			NSR P/O A8A2S1A		
A8A2P1	0360 1514		TERMINAL-STUD SGL-PIN PRESS-MTG	28480	0360-1514
A8A2P2	0360-1514		TERMINAL-STUD SGL-PIN PRESS-MTG	28480	0360-1514
A8A2P3	0360-1514		TERMINAL-STUD SGL-PIN PRESS-MTG	28480	0360-1514
A8A2P4	0360-1514		TERMINAL-STUD SGL-PIN PRESS-MTG	28480	0360-1514
A8A2P5	0360-1514		TFRMINAL-STUD SGL-PIN PRESS-MTG	28480	0360-1514
A8A2P6	0360-1514		TERMINAL-STUD SGL-PIN PRESS-MTG	28480	0360-1514
A8A2U1	1820-0077	4	IC SN74 74 N FLIP-FLOP	01295	SN7474N
A8A2U2	1820-0054		IC SN74 00 N GATE	01295	SN7400N
A8A2U3	1820-0054	2	IC SN74 00 N GATE	01295	SN7400N
A8A2U4	1820-0174		IC SN74 04 N INV	01295	SN7404N
A8A2U5	1820-0077	2	IC SN74 74 N FLIP-FLOP	01295	SN7474N
A8A2U6	1820-0328		IC SN74 02 N GATE	01295	SN7402N
A8A2U7	1820-0701	6	IC LATCH	07263	93L14DC
A8A2U8	1820-0701		IC LATCH	07263	93L14DC
A8A2U9	1820-0701	2	IC LATCH	07263	93L14DC
A8A2U10	1820-0701		IC LATCH	07263	93L14DC
A8A2U11	1820-0701	2	IC LATCH	07263	93L14DC
A8A2U12	1820-0701		IC LATCH	07263	93L14DC
A8A2U13	1820-0511	2	IC SN74 08 N GATE	01295	SN7408N
A8A2U14	1820-0205		IC MC 3003P GATE	04713	MC3003P
A8A2U15	1820-0054	2	IC SN74 00 N GATE	01295	SN7400N
A8A2U16	1820-0054		IC SN74 00 N GATE	01295	SN7400N
A8A2U17	1820-0511	7	IC SN74 08 N GATE	01295	SN7408N
A8A2U18	1820-0511		IC SN74 08 N GATE	01295	SN7408N
A8A2U19	1820-0546	7	IC SN74 192 N COUNTER	01295	SN74192N
A8A2U20	1820-0546		IC SN74 192 N COUNTER	01295	SN74192N
A8A2U21	1820-0546	1	IC SN74 192 N COUNTER	01295	SN74192N
A8A2U22	1820-0546		IC SN74 192 N COUNTER	01295	SN74192N
A8A2U23	1820-0546	1	IC SN74 192 N COUNTER	01295	SN74192N
A8A2U24	1820-0546		IC SN74 192 N COUNTER	01295	SN74192N
A8A2U25	1820-0328	1	IC SN74 02 N GATE	01295	SN7402N
A8A2U26	1820-0077		IC SN74 74 N FLIP-FLOP	01295	SN7474N
A8A2U27	1820-0205	1	IC MC 3003P GATE	04713	MC3003P
A8A2U28	1820-0546		IC SN74 192 N COUNTER	01295	SN74192N
A8A2U29	1826-0092	1	IC MC 1458 OP AMP	28480	1826-0092
A8A2VR1	1902-3070	1	DIODE-ZNR 4.22V 5 D0-7 PD=.4W TC=-.038%	04713	SZ 10939-74
A8A2VR2	1902-3182		DIODE-ZNR 12Z.V 52 D0-7 PD=.4W TC=+.064%	04713	SZ 10939-206
A8A3	08640-60026	1	TIME BASE ASSY	28480	08640-60026
A8A3C1	0160-3094	1	CAPACITOR-FXD .1UF +- 10% 100WVDC CER	28480	0160-3094
A8A3C2	0160-3094		CAPACITOR-FXD .1UF +- 10% 100WVDC CER	28480	0160-3094
A8A3C3	0160-3094		CAPACITOR-FXD .1UF +- 10% 100WVDC CER	28480	0160-3094
A8A3C4	0160-3094		CAPACITOR-FXD .1UF +- 10% 100WVDC CER	28480	0160-3094
A8A3C6	0160-3094		CAPACITOR-FXD .1UF +- 10% 100WVDC CER	28480	0160-3094
A8A3C7	0160-3094		CAPACITOR-FXD .1UF +- 10% 100WVDC CER	28480	0160-3094
A8A3C8	0160-2055		NOT ASSIGNED		
A8A3C9	0160-2055	CAPACITOR-FXD .01UF +80-20% 100WVDC CER	28480	0160-2055	
A8A3C10	0160-2055	CAPACITOR-FXD .01UF +80-20% 100WVDC CER	28480	0160-2055	

See introduction for ordering information

†SEE TABLES 7-1 AND 7-2, FOR BACKDATING.

Table 6-3. Replaceable Parts

Reference Designation	HP Part Number	Qty	Description	Mfr Code	Mfr Part Number
A8A3C11	0160-2055		CAPACITOR-FXD .01UF +80-20% 100WVDC CER	28480	0160-2055
A8A3C12	0160-2055		CAPACITOR-FXD .01UF +80-20% 100WVDC CER	28480	0160-2055
A8A3C13	0160-2055		CAPACITOR-FXD .01UF +80-20% 100WVDC CER	28480	0160-2055
A8A3C14	0160-3094		CAPACITOR-FXD .1UF+ 10% 100WVDC CER	28480	0160-3094
A8A3C15	0160-3879		CAPACITOR-FXD .01UF +20% 100WVDC CER	28480	0160-3879
A8A3C16	0160-2055		CAPACITOR-FXD .01UF +80-20% 10WVDC CER	28480	0160-2055
A8A3C17	0160-3094		CAPACITOR-FXD .1UF +10% 100WVDC CER	28480	0160-3094
A8A3C18	0160-2055		CAPACITOR-FXD .01UF +80-20% 100HOWVDC CER	28480	0160-2055
A8A3C19	0160-3879		CAPACITOR-FXD .01UF +20% 100WVDC CER	28480	0160-3879
A8A3C20	0160-3879		CAPACITOR-FXD .01UF +20% 100VDC CER	28480	0160-3879
A8A3C21	0160-3877		CAPACITOR-FXD 10PF +20% 2000WVDC CER	28480	0160-3877
A8A3C22	0160-3877		CAPACITOR-FXD 100PF +20% 200VDC CER	28480	0160-3877
A8A3C23	0160-3457	1	CAPACITOR-FXD 2000PF +10% 250WVDC CER	28480	0160-3457
A8A3C24	0160-3456		CAPACITOR-FXD 1000PF + 01%100WVDC CER	28480	0160-3456
A8A3C25	0160-3094		CAPACITOR-FXD .1UF +10% 100WVDC CER	28480	0160-3094
A8A3C26	0160-2055		CAPACITOR-FXD .01UF +80-201 100VDC CER	28480	0160-2055
A8A3C27	0180-0197		CAPACITOR-FXD 2.2UF+-10 20VDC TA	56289	1500225X9020A2
A8A3C28	0180-0197		CAPACITOR-FXD 2.2UF+-10 20VDC TA	56289	1500225X9020A2
A8A3C29	0180-0197		CAPACITOR-FXD 2.2UF+-10 20VDC TA	56289	1500225X9020A2
A8A3C30	0180-0197		CAPACITOR-FXD 2.2UF+-10 20VDC TA	56289	1500225X9020A2
A8A3C31	0180-0197		CAPACITOR-FXD 2.2UF+-10 20VDC TA	56289	1500225X9020A2
A8A3C32	0160-3094		CAPACITOR-FXD .1UF+100VDC CER	28480	0160-3094
A8A3C33	0160-2055		CAPACITOR-FXD .01UF +80-20 100WVDC CER	28480	0160-2055
A8A3C34	0180-0197		CAPACITOR-FXD 2.2UF+-10% 20VDC TA	56289	1500225X9020A2
A8A3C35	0180-0197		CAPACITOR-FXD 2.2UF+-10% 20VDC TA	56289	1500225X9020A2
A8A3C36	0180-0197		CAPACITOR-FXD 2.2UF+- 10 20VDC TA	56289	1500225X9020A2
A8A3C37	0180-0197		CAPACITOR-FXD 2.2UF+- 101 20VDC TA	56289	1500225X9020A2
A8A3C38	0160-2055		CAPACITOR-FXD .01 UF + 80-20% 100WVDC CER	28480	0160-2055
A8A3C39	0180-0197		CAPACITOR-FXD 2.2UF+-10% 20VDC TA	56289	1500225X9020A2
A8A3C40	0160-3456		CAPACITOR-FXD 1000PF +10% 1000WVDC CER	28480	0160-3456
A8A3CR1	1901-0040		DIODE-SWITCHING 30V 50HA 2NS DO-35	28480	1901-0040
A8A3J1	1250-1383	1	CONNECTOR-REF SM SNP M SGL HOLE RR	28480	1250-1383
A8A3L1	9140-0137	10	COIL-FXD MOLDED RF CHOKE 1MH 5%	24226	19/104
A8A3L2	9140-0137		COIL-FXD MOLDED RF CHOKE 1MH 5%	24226	19/104
A8A3L3	9140-0137		COIL-FXD MOLDED RF CHOKE 1MH 5%	24226	19/104
A8A3L4	9140-0137		COIL-FXD MOLDED RF CHOKE 1MH 5%	24226	19/104
A8A3L5	9140-0137		COIL-FXD MOLDED RF CHOKE 1MH 5%	24226	19/104
A8A3L6	9140-0137		COIL-FXD MOLDED RF CHOKE 1MH 5%	24226	19/104
A8A3L7	9140-0137		COIL-FXD MOLDED RF CHOKE 1MH 5%	24226	19/104
A8A3L8	9140-0137		COIL-FXD MOLDED RF CHOKE 1MH 5%	24226	19/104
A8A3L9	9140-0137		COIL-FXD MOLDED RF CHOKE 1MH 5%	24226	19/104
A8A3L10	08640-80001	8	FILTER, TOROID	28480	08640-80001
A8A3L11	9140-0137		COIL-FXD MOLDED RF CHOKE 1MH 5%	24226	19/104
A8A3L12	08640-80001		FILTER, TOROID	28480	08640-80001
A8A3L13	08640-80001		FILTER, TOROID	28480	08640-80001
A8A3L14	08640-80001		FILTER, TOROID	28480	08640-80001
A8A3MP1	2190-0003	2	WASHER-LK HLCL NO.-4 .115-IN-IC	28480	2190-0003
A8A3MP2	2200-0155		SCREW-MACH 4-40 1-IN-LG PAN-HD-POZI	28480	2200-0155
A8A3MP3	2260-0001	1	NUT-HEX-OBL-CHAM 4-40-THD .094-THK	28480	2260-0001
A8A3MP4	08640-20211	1	GUIDE, CONNECTOR	28480	08640-20211
A8A3MP5	08640-40040	1	INSULATOR SWITCH	28480	08640-40040
A8A3Q1	1854-0019		TRANSISTOR NPN SI TO-18 PD=360MW	28480	1854-0019
A8A3Q2	1854-0019		TRANSISTOR NPN SI TO-18 PD=360MW	28480	1854-0019
A8A3R1	0698-3155	2	RESISTOR 4.64K 1% .125W F TC=0+-100	16299	C4-1/8-TO-4641-F
A8A3R2	0757-0274		RESISTOR 1.21K 1% .125W F TC=0+-100	24546	C4-1/8-TO-1213-F
A8A3R3	0757-0442		RESISTOR 10K 1% .125W F TC=0+-100	24546	C4-1/8-TO-1002-F
A8A3R4	0757-0438		RESISTOR 5.11K 1% .125W F TC=0+-100	24546	C4-1/8-TO-5111-F
A8A3R5	0698-7229		RESISTOR 511 2%.05H F TC=0+-100	24546	C3-1/8-TO-5111-F
A8A3R6	0757-0416		RESISTOR 511 1% .125W F TC=0+-100	24546	C4-1/8-TO-5111-F
A8A3R7	0757-0442		RESISTOR 10K 1% .125W F TC=0+-100	24546	C4-1/8-TO-1002-F
A8A3R8	0757-0442		RESISTOR 10K 1% .125W F TC=0+-100	24546	C4-1/8-TO-1002-F
A8A3R9	0698-0085		RESISTOR 2.61K 1% .125W F TC=0+-100	16299	C4-1/8-TO-2611-F
A8A3R10‡	0698-0083		RESISTOR 1.96K 1% .125W F TC=0+-100	16299	C4-1/8-TO-1961-F
A8A3R11	0757-0416		RESISTOR 511 1% .125W F TC=0+-100	24546	C4-1/8-TO-5111-F
A8A3R12	0757-0416		RESISTOR 511 1% .125W F TC=0+-100	24546	C4-1/8-TO-5111-F
A8A3R13	0757-0438		RESISTOR 5.11K 1% .125W F TC=0+-100	24546	C4-1/8-TO-5111-F
A8A3R14	0757-0438		RESISTOR 5.11K 1% .125W F TC=0+-100	24546	C4-1/8-TO-5111-F
A8A3R15	0757-0438		RESISTOR 5.11K 1% .125W F TC=0+-100	24546	C4-1/8-TO-5111-F
A8A3R16	0757-0438		RESISTOR 5.11K 1% .125W F TC=0+-100	24546	C4-1/8-TO-5111-F
A8A3R17	0698-0083		RESISTOR 1.96K 1% .125W F TC=0+-100	16299	C4-1/8-TO-1961-F
A8A3R18‡	0757-0399		RESISTOR 82.5 1% .125W F TC=0+-100	24546	C4-1/8-TO-82R5-F
A8A3R19	0698-3437	3	RESISTOR 133 1%.125W F TC=0+-100	16299	C4-1/8-TO-133R-F
A8A3R20	0698-3160		RESISTOR 31.6K 1% .125W F TC=0+-100	16299	C4-1/8-TO-3162-F

See introduction for ordering information

‡ SEE NOTE, CHANGE 33, SECTION 7

Table 6-3. Replaceable Parts

Reference Designation	HP Part Number	Qty	Description	Mfr Code	Mfr Part Number
A8A3R21 A8A3R22 A8A3R23	0698-3444 0757-0280 0698-3440		RESISTOR 316 1% .125W F TC=0+100 RESISTOR 1K 1% .125W F TC=0+100 RESISTOR 196 1% .125W F TC=0+100	16299 24546 16299	C4-1/8-TO-316R-F C4-1/8-TO-1001-F C4-1/8-TO-196R-F
A8A3S1A A8A3S1B A8A3S1C	3101 1730	1	SWITCH-PB 15PM C-C SPACING (INCLUDES A8A3S1A,B,C) NSR P/O A8A3S1A NSR P/O A8A3S1A	28480	3101-1730
A8A3TP1 A8A3U1 A8A3U2 A8A3U3 A8A3U4 A8A3U5 A8A3U6 A8A3U7 A8A3U8 A8A3U9 A8A3U10 A8A3U11 A8A3U12 A8A3U13 A8A3U14 A8A3U15	0360-1514 1820-0054 1820-0077 1820-0368 1820-0511 1820-0661 1820-0661 1820-0174 1820 0054 1820-0054 1820-1490 1820-1490 1820-0055 1820-1429 1820-1429 1820-1429	1 2 4 1 3	TERMINAL-STUD SGL-PIN PRESS-MTG IC SN74 00 N GATE IC SN74 74 N FLIP-FLOP IC SN74 96 N RGTR IC SN74 08 N GATE IC SN74 32 N GATE IC SN74 32 N GATE IC SNT4 04 N INV IC SN74 00 N GATE IC SN74 00 N GATE IC SN74LS 90 N COUNTER IC SN74LS 90 N COUNTER IC SN74 90 N COUNTER IC SN74LS160 N COUNTER IC SN74LS160 N COUNTER IC SN74LS160 N COUNTER	28480 01295 01295 01295 01295 01295 01295 01295 01295 01295 01295 01295 01295 01295 01295	0360-1514 SN7400N SN7474N SN7496N SN7408N SN7432N SN7432N SN7404N SN7400N SN7400N SN74LS90N SN74LS90N SN7490N SN74LS160N SN74LS160N SN74LS160N
A8A3U16 † A8A3U17 ‡	1820-1490 1820-1490		IC SN74LS 90 N COUNTER IC SN74LS 90 N COUNTER	01295 01295	SN74LS90N SN74LS90N
A8A3VR1	1902-3203	1	DIODE-ZNR 14.7V 5T D0-7 PD=.4W TC=+.057%	04713	SZ 10939-230
A8A3XA5	1251-2035		CONNECTOR-PC EDGE 15-CONT/ROW 2.ROWS	71785	252-15-30-300
A8A3Y1	1813-0006	1	CRYSTAL OSCILLATOR	28480	1813-0006
A8A4	08640-60025	1	COUNTER/DISPLAY ASSY	28480	08640-60025
A8A4DS1 A8A4DS2	2140-0356 2140-0016	1 1	LAMP-INCAND 7683 5VDC 60NA T-1-BULB LAMP-INCAND T-1 BULB 5V	71744 00501	CM7-7683 11-AS25
A8A4J1 A8A4J1	1200-0471 1200-0472	1 1	CONTACT:8-PIN, IC SOCKET:40-PIN, IC	28480 28480	1200-0471 1200-0472
A8A4MP1 A8A4MP2 A8A4MP3 A8A4P1A A8A4P1B	03431-01201 03431-01201 03431-01201 1260-0363 1260-0364	3 1 1	BRACKET, MOUNTING BRACKET, MOUNTING BRACKET, MOUNTING CONNECTOR:11 PIN CONNECTOR:25 PIN	28480 28480 28480 28480 28480	03431-01201 03431-01201 03431-01201 1260-0363 1260-0364
A8A4Q1	1854-0071		TRANSISTOR NPN SI PD=300MW FT=200MHZ	28480	1854-0071
A8A4R1 A8A4R2 A8A4R3 † A8A4R4 † A8A4R5 †	2100-0647 2100-1738 0698-7277 0698-7276	1 1 6 1	RESISTOR-VAR W/SW 5K 20% SPST-NO RESISTOR-TRMR 10K 10 % TOP-ADJ 1ITURN RESISTOR 51.1K 2%.05W F TC=0+100 NOT ASSIGNED RESISTOR 46.4K 2% .05W F TC=0+100	28480 30983 24546 24546	2100-0647 ET50W103 C3-1/8-TO-5112-G C3-1/8-TO-4642-G
A8A4XDS1A A8A4XDS1B	1251-2194 1251-2194	2	CONNECTOR SGL CONT SKT .021-DIA CONNECTOR-SGL CONT SKT .021-DIA	00779 00779	3-331272-0 3-331272-0
A8A5	08640-60028	1	RISER ASSY	28480	08640-60028
A8A5XA8A2	1251-2035		CONNECTOR-PC EDGE 15-CONT/ROW 2-ROWS	71785	252-15-30-300
A9	08640-60117	1	PEAK DEVIATION C RANGE SWITCH ASSY	28480	08640-60117
A9C1 A9C2 A9C3 A9C4 A9C5	0140-0191 0140-0191 0140-0191 0140-0191 0140-0191	5	CAPACITOR-FXD 56PF +- 5% 300WVDC MICA CAPACITOR-FXD 56PF +- 5% 300WVDC MICA CAPACITOR-FXD 56PF +- 5% 300WVDC MICA CAPACITOR-FXD 56PF +- 5% 300WVDC MICA CAPACITOR-FXD 56PF +- 5% 300WVDC MICA	72136 72136 72136 72136 72136	DM15E560J0300WV1CR DM15E560J0300WV1CR DM15E560J0300WV1CR DM15E560J0300WV1CR DM15E560J0300WV1CR
A9MP1 † A9MP2 A9MP3 A9MP4 A9MP5	0510-0052 1430-0759 1430-0772 1430-0773 1430= 0774	1 1 1 1 1	RETAINER-RING .125-DIA CD PL STL GEAR SPUR GEAR:PLANET GEAR:COMBINATION GEAR:COMBINATION	97464 28480 28480 28480 28480	7100-12-CD 1430-0759 1430-0772 1430-0773 1430-0774
A9MP6 A9MP7 A9MP8 A9MP9 A9MP10	3050-0099 5040-0218 08640-00019 08640-40039 08640-40045	1 1 1 1 1	WASHER-FL MTLCL NO.12 .25-IN-IC .5-IN-OD COUPLER:SWITCH SHAFT SUPPORT, SWITCH SHAFT, ADJUSTABLE SHAFT, SWITCH, AF BAND	28480 28480 28480 28480 28480	3050-0099 5040-0218 08640-00019 08640-40039 08640-40045

See introduction for ordering information

†SEE TABLES 7-1 AND 7-2, FOR BACKDATING. ‡ SEE NOTE, CHANGE 33, SECTION 7.

Table 6-3. Replaceable Parts

Reference Designation	HP Part Number	Qty	Description	Mfr Code	Mfr Part Number
A9P1	1251-2799	1	CONNECTOR-PC EDGE 15-CONT/ROW 2-RDWS	71785	251-15-30-400
A9R1	2100-3262	1	RESISTOR-VAR 2.5K 10T C	71450	550
A9R2	0698-4014	1	RESISTOR 787 1% .125W F TC=0+-100 NOT ASSIGNED	16299	C4-1/8-TO-787R-F
A9R3	0757-0280		RESISTOR 1K 1% .125W F TC=0+-100	24546	C4-1/8-TO-1001-F
A9R4	0757-0278		RESISTOR 1.78K 1% .125W F TC=0+-100	24546	C4-1/8-TO-1781-F
A9R5	0757-0274		RESISTOR 1.21K 1% .125W F TC=0+-100	24546	C4-1/8-TO-1213-F
A9R6	0757-0416		RESISTOR 511 1% .125W F TC=0+-100	24546	C4-1/8-TO-511R-F
A9R7	0698-0082	1	RESISTOR 464 1% .125W F TC=0+-100	16299	C4-1/8-TO-4640-F
A9R8	0757-0280		RESISTOR 1K 1% .125W F TC=0+-100	24546	C4-1/3-TO-1001-F
A9R9	0698-8211	1	RESISTOR 2K .2% 25W F TC=0+-25	19701	MF52C1/4 T9-2001-C
A9R10	0757-0280		RESISTOR 1K 1% .125W F TC=0+-100	24546	C4-1/8-TO-1001-F
A9R11	0698-8212	1	RESISTOR 6K .25% .125W F TC=0+-25	19701	MF4C1/4-T9-6001-C
A9R12	0698-5669	6	RESISTOR 1.5K .25% .125W F TC=0+-25	24546	NE55
A9R13	0698-8213	4	RESISTOR 3K .25% .125W F TC=0+-25	19701	MF4C1/4-T9-3001-C
A9R14	0698-5669		RESISTOR 1.5K .25% .125W F TC=0+-25	24546	NE55
A9R15	0698-8213		RESISTOR 3K .25% .125W F TC=0+-25	19701	MF4C1/4-T9-3001-C
A9R16	0698-5669		RESISTOR 1.5K .25% .125W F TC=0+-25	24546	NE55
A9R17	0698-8213		RESISTOR 3K .25% .125W F TC=0+-25	19701	MFC1/4-T9-3001-C
A9R18	0698-5669		RESISTOR 1.5K .25% .125W F TC=0+-25	24546	NE55
A9R19	0698-8213		RESISTOR 3K .25% .125W F TC=0+-25	19701	MFC1/4-T9-3001-C
A9R20	0698-5669		RESISTOR 1.5K .25% .125W F TC=0+-25	24546	NE55
A9R21	0698-5669		RESISTOR 1.5K .25% .125W F TC=0+-25	24546	NE55
A9R22	0698-8299	1	RESISTOR 4.259K .25% .125W F TC=0+-25	19701	MF4C1/8-T9-4259R=C
A9R23	0698-8298	1	RESISTOR 1.071K .25% .125W F TC=0+-25	19701	MF4C1/8-T9-1071R-C
A9R24	0698-8297	1	RESISTOR 1.284K .25% .125W F TC=0+-25	19701	MF4C1/8-T9-1284R-C
A9R25	0757-0398		RESISTOR 75 1% .125W F TC=0+-100	24546	C4-1/8-TO-75R0-F
A9R26	0698-8296	1	RESISTOR 1.493K .252 .125W F TC=0+-25	19701	MF4C1/8-T9-1493R-C
A9R27	0757-0399		RESISTOR 82.5 1% .125W F TC=0+-100	24546	C4-1/8-TO-82R5-F
A9R28	0698-8295	1	RESISTOR 1.556K .252 .125W F TC=0+-25	19701	MF4C1/8-T9-1556R-C
A9R29	0757-0400		RESISTOR 90.9 1% .125W F TC=0+-100	24546	C4-1/8-TO-90R-F
A9R30	0757-0400		RESISTOR 90.9 12 .125W F TC=0+-100	24546	C4-1/8-TO-90R9-F
A9R31	08640-60107	1	CABLE ASSY,PEAK DEVIATION	28480	08640-60107
A9W1†	08640-60105	1	DIVIDER/FILTER ASSY	28480	08640-60105
A10MP1	0403-0156	1	GUIDE-PC BD YEL POLYC .062-BD-THKNS 1-LG	28480	0403-0156
A10MP2	0403-0157	1	GUIDE-PC BD GRN POLYC .062-BD-THKNS 1-LG	28480	0403-0157
A10MP3	0403-0158	1	GUIDE-PC BD BLU POLYC .062-BD-THKNS 1-LG	28480	0403-0158
A10MP4	8160-0226	1	RFI ROUND STRIP NI ALY .062-0D	28480	8160-0226
A10MP5	08640-00047	1	SHIELD, SPRING #1	28480	08640-00047
A10MP6	08640-00048	1	SHIELD, SPRING #2	28480	08640-00048
A10MP7	08640 00049	1	SHIELD, SPRING 13	28480	08640-00049
A10MP8	08640-00050	1	SHIELD, SPRING 14	28480	08640-00050
A10MP9	08640-20268	1	CAST, TOP COVER, D/F	28480	08640-20268
A10MP10	08640-20269	1	CAST, CENTER, O/F	28480	08640-20269
A10MP11	2190-0003		WASHER-LK HLCL NO.-4 .115-INCI	28480	2190-0003
A10MP12	2200-0101	1	SCREW-MACH 440 .188-IN-LG PAN-HD-POZI	28480	2200-0101
A10MP13	2200-0121		SCREW-MACH 4-40 1.125-IN-LG PAN-HD-DPOZI	28480	2200-0121
A10MP14	2200-0147		SCREW-MACH 4-40 .5-IN-LG PAN-HD-POZI	28480	2200-0147
A10MP15	2200-0127	1	SCREW-MACH 4-40 1.75-IN-LG PAN-HD-POZI	28480	2200-0127
A10MP16	2190-0124	1	WASHER-LK INTL T NO.-10 .195-IN ID	24931	LW101-30
A10MP17	2950-0078	1	NUT-HEX-DBL-CHAM 10-32-THO .067-THK	24931	HN100-11
A10MP18	2200-0129	1	SCREW-MACH 4-40 2-IN-LG PAN-HD-POZI	28480	2200-0129
A10MP19	0361-1071	1	RIVET:BLIND, DCME HD 0.125" DIA	11815	AAP-4-3
A10A1	08640-60204	1	RF FILTER ASSY	28480	08640-60204
A10C1	0160-2055		CAPACITOR-FXD .01UF +80-20% 100WVDC CER	28480	0160-2055
A10A1C2	0160-2055		CAPACITOR-FXD .01UF +80-20% 100WVDC CER	28480	0160-2055
A10A1C3	0160-2055		CAPACITOR-FXD .01UF +80-20% 100WVDC CER	28480	0160-2055
A10A1C4	0160-2055		CAPACITOR-FXD .01UF +80-20% 100WVDC CER	28480	0160-2055
A10A1C5	0160-2055		CAPACITOR-FXD .01UF +80-20% 100WVDC CER	28480	0160-2055
A10A1C6	0160-2055		CAPACITOR-FXD .01UF +80-20% 100WVDC, CER	28480	0160-2055
A10A1C7	0160-2055		CAPACITOR-FXD .01UF +80-20% 100WVDC CER	28480	0160-2055
A10A1C8	0160-2055		CAPACITOR-FXD .01UF +80-20% 100WVDC CER	28480	0160-2055
A10A1C9	0140-0219	2	CAPACITOR-FXD 180PF +-2% 300WVDC MICA	72136	DM15F181G0300WV1CR
A10A1C10	0140-0226	2	CAPACITOR-FXD 320PF +-1% 300WVDC MICA	72136	DM15F321F0300WV1C
A10A1C11	0140-0226		CAPACITOR-FXD 320PF +-1% 300WVDC MICA	72136	DM15F321F0300WV1C
A10A1C12	0140-0220	3	CAPACITOR-FXD 200PF +-1% 300WVDC MICA	72136	DM15F201F0300WV1CR
A10A1C13	0140-0195	2	CAPACITOR-FXD 130PF +-5% 300WVDC MICA	72136	DM15F131J0300WV1CR
A10A1C14	0140-0220		CAPACITOR-FXD 200PF +-1% 300WVDC MICA	72136	DM15F201F0300WV1CR
A10A1C15	0140-0220		CAPACITOR-FXD 200PF +-1% 300WVDC MICA	72136	DM15F201F0300WV1CR
A10A1C16	0140-0195		CAPACITOR-FXD 130PF +-5% 300WVDC MICA	72136	DM15F131J0300WV1CR
A10A1C17	0140-0150	2	CAPACITOR-FXD 731.5PF +-1% 300WVDC MICA	72136	DM15F731R5F0300WV1CR
A10A1C18	0160-3940	1	CAPACITOR-FXD 3200PF +-1% 100WVDC MICA	28480	0160-3940
A10A1C19	0160-2587	1	CAPACITOR-FXD 4000PF +-1% 100WVDC MICA	28480	0160-2587
A10A1C20	0160-4217	1	CAPACITOR-FXD 3900PF +-1% 500WVDC MICA	28480	0160-4217

See introduction for ordering information

†SEE TABLES 7-1 AND 7-2, FOR BACKDATING.

Table 6-3. Replaceable Parts

Reference Designation	HP Part Number	Qty	Description	Mfr Code	Mfr Part Number
A10A1C21	0160-2276	1	CAPACITOR-FXD 2780PF +-2% 300WVDC MICA	28480	0160-2276
A10A1C22	0140-0172	1	CAPACITOR-FXD 3000PF +-1% 100WVDC MICA	72136	DM19F302F0100WV1CR
A10A1C23	0160-2585	2	CAPACITOR-FXD 2000PF +-1% 100WVDC MICA	28480	0160-2585
A10A1C24	0160-2537	3	CAPACITOR-FXD 360PF +-1% 300WVDC MICA	28480	0160-2537
A10A1C25	0160-0341	2	CAPACITOR-FXD 640PF +-1% 300WVDC MICA	28480	0160-0341
A10A1C26	0160-0341		CAPACITOR-FXD 640PF +-1% 300WVDC MICA	28480	0160-0341
A10A1C27	0140-0200	1	CAPACITOR-FXD 390PF +-5% 300WVDC MICA	72136	0391J0300WV1CR
A10A1C28	0140-0199	2	CAPACITOR-FXD 240PF +-5% 300WVDC MICA	72136	DM15F241J0300WV1CR
A10A1C29	0160-0939		CAPACITOR-FXD 430PF +-5% 300WVDC MICA	28480	0160-0939
A10A1C30	0160-0939		CAPACITOR-FXD 430PF +-5% 300WVDC MICA	28480	0160-0939
A10A1C31	0140-0199		CAPACITOR-FXD 240PF +-5% 300WVDC MICA	72136	DM15F241J0300WV1CR
A10A1C32	0160-2537		CAPACITOR-FXD 360PF +-1% 300WVDC MICA	28480	0160-2537
A10A1C33	0160-3092	1	CAPACITOR-FXD 1600PF +-1% 100WVDC MICA	28480	0160-3092
A10A1C34	0160-2585		CAPACITOR-FXD 2000PF +-1% 100WVDC MICA	28480	0160-2585
A10A1C35	0160-3937	1	CAPACITOR-FXD 1916PF +-1% 100WVDC MICA	28480	0160-3937
A10A1C36	0160-3939	1	CAPACITOR-FXD 1400PF +-1%100 WVDC MICA	28480	0160-3939
A10A1C37	0160-3938	1	CAPACITOR-FXD 1470PF +-1% 100WVDC MICA	28480	0160-3938
A10A1C38	0160-2387	2	CAPACITOR-FXD 1000PF +-1% 500WVDC MICA	28480	0160-2387
A10A1C39	0160-0335	2	CAPACITOR-FXD 91PF +-1% 300WVDC MICA	28480	0160-0335
A10A1C40	0160-2206	2	CAPACITOR-FXD 160PF +-5% 300WVDC MICA	28480	0160-2206
A10A1C41	0160-2206		CAPACITOP-FXD 160PF +-5% 300WVDC MICA	28480	0160-2206
A10A1C42	0160-2204		CAPACITOR-FXD 100PF +-5% 300WVDC MICA	93790	DM15F101J3C
A10A1C43	0140-0205	2	CAPACITOR-FXD 62PF +-5% 300WVDC MICA	72136	DM15E620J0300WV1CR
A10A1C44	0160-0839	2	CAPACITOR-FXD 110PF +-1% 300WVDC MICA	28480	0160-0839
A10A1C45	0160-0839		CAPACITOR-FXD 110PF +-1% 300WVDC MICA	28480	0160-0839
A10A1C46	0140-0205		CAPACITOR-FXD 62PF +-5% 300WVDC MICA	72136	DM15E620J0300WV1CR
A10A1C47	0140-0219		CAPACITOR-FXD 180PF +-5% 300WVDC MICA	72136	DM15F181G0300WV1CR
A10A1C48	0160-0342	1	CAPACITOR-FXD 800PF +-1% 300WVDC MICA	28480	0160-0342
A10A1C49	0160-2387		CAPACITOR-FXD 1000PF +-1% 500WVDC MICA	28480	0160-2387
A10A1C50	0160-3935	1	CAPACITOR-FXD 958PF +- 100WVDC MICA	28480	0160-3935
A10A1C51	0160-3936	1	CAPACITOR-FXD 700PF +-1% 100WVDC MICA	28480	0160-3936
A10A1C52	0140-0150		CAPACITOR-FXD 731.5PF +-1% 300WVDC MICA	72136	DM15F731R5F0300WV1CR
A10A1C53	0140-0234	2	CAPACITOR-FXD 500PF +-1% 300WVDC MICA	72136	DM15F501F0300WV1CR
A10A1C54	0160-2307	1	CAPACITOR-FXD 47PF +-5% 300WVDC MICA	28480	0160-2307
A10A1C55	0160-0974	2	CAPACITOR-FXD 80PF +-2% 300WVDC MICA	28480	0160-0974
A10A1C56	0160-0974		CAPACITOR-FXD 80PF +-2% 300WVDC MICA	28480	0160-0974
A10A1C57	0160-2201		CAPACITOR-FXD 51PF +-5% 300WVDC MICA	28480	0160-2201
A10A1C58	0160-2306	1	CAPACITOR-FXD 27PF +-5% 300WVDC MICA	28480	0160-2306
A10A1C59	0160-2201		CAPACITOR-FXD 51PF +-5% 300WVDC MICA	28480	0160-2201
A10A1C60	0160-2201		CAPACITOR-FXD 51PF +-5% 300WVDC MICA	28480	0160-2201
A10A1C61	0160-2199		CAPACITOR-FXD 30PF +-5% 300WVDC MICA	28480	0160-2199
A10A1C62	0160-0335		CAPACITOR-FXD 91PF +-1% 300WVDC MICA	28480	0160-0335
A10A1C63	0140-0177	1	CAPACITOR-FXD 400PF +-1% 300WVDC MICA	72136	DM15F401F0300WV1CR
A10A1C64	0140-0234		CAPACITOR-FXD 500PF +-1%300WVDC MICA	72136	DM15F501F0300WV1C
A10A1C65	0140-0233	1	CAPACITOR-FXD 480PF +-1% 300WVDC MICA	72136	DM15F481F0300WV1C
A10A1C66	0160-3934	1	CAPACITOR-FXD 350PF +-1% 100WVDC MICA	28480	0160-3934
A10A1C67	0160-2537		CAPACITOR-FXD 360PF +-1% 300WVDC MICA	28480	0160-2537
A10A1C68	0160-3046	1	CAPACITOR-FXD 250PF +-1% 100WVDC MICA	28480	0160-3046
A10A1C69	0160-2265	1	CAPACITOR-FXD 22PF +-5% 500WVDC CER	28480	0160-2265
A10A1C70	0140-0190	2	CAPACITOR-FXD 39PF +-5% 300WVDC MICA	72136	DM15E390J0300WV1CR
A10A1C71	0140-0190		CAPACITOR-FXD 39PF +-5% 300WVDC MICA	72136	DM15E390J0300WV1CR
A10A1C72	0160-2266	3	CAPACITOR-FXD 24PF +-5% 500WVDC CER	28480	0160-2266
A10A1C73	0160-2260	1	CAPACITOR-FXD 13PF +-5% 500WVDC CER	28480	0160-2260
A10A1C74	0160-2266		CAPACITOR-FXD 24PF +-5% 500WVDC CER	28480	0160-2266
A10A1C75	0160-2266		CAPACITOR-FXD 24PF +-5% 500WVDC CER	28480	0160-2266
A10A1C76	0160-2262	1	CAPACITOR-FXD 16PF +-5% 500WVDC CER	28480	0160-2262
A10A1C77	0160-2257	2	CAPACITOR-FXD 10PF +-5% 500WVDC CER	28480	0160-2257
A10A1C78	0160-2263	2	CAPACITOR-FXD 18PF +-5% 500WVDC CER	28480	0160-2263
A10A1C79	0160-2263		CAPACITOR-FXD 18PF +-5% 500WVDC CER	28480	0160-2263
A10A1C80	0160-2257		CAPACITOR-FXD 10PF +-5% 500WVDC CER	28480	0160-2257
A10A1C81	0121-0060	2	CAPACITOR-V TRMR-CER 2/8PF 350V PC-MTG	0086S	304322 218PF NPO
A10A1C82	0121-0061	2	CAPACITOR-V TRMR-CFR 5.5/18PF 350V	0086S	304322 5.5/18PF NPO
A10A1C83	0121-0061		CAPACITOR-V TRMR-CER 5.5/18PF 350V	0086S	304322 5.5/18PF NPO
A10A1C84	0121-0060		CAPACITOR-V TPRM-CER 2/8PF 350V PC-MTG	0086S	304322 2/8PF NPO
A10A1C85	0160-0174		CAPACITOR-FXD .47UF +-80-203 25WVDC CER	28480	0160-0174
A10A1C86	0180-0197		CAPACITOR-FXD 2.2UF +-10 20VDC TA	56289	150D225X9020A2
A10A1C87	0160-0174		CAPACITOR-FXD .47UF +-80-20% 25WVDC CER	28480	0160-0174
A10A1C88	0180-0197		CAPACITOR-FXD 2.2UF +-10% 20VDC TA	56289	150D225X9020A2
A10A1C89	0160-0174		CAPACITOR-FXD .47UF +-80-20% 25WVDC CER	28480	0160-0174
A10A1C90	0180-0197		CAPACITOR-FXD 2.2UF +-10 %VDC TA	56289	150D225X9020A2
A10A1C91	0160-2055		CAPACITOR-FXD .01UF +-80-20%100WVDC CER	28480	0160-2055
A10A1FL1	0160-0204		CAPACITOR-FLTR 5500PF GMV 200V	01121	SMFB-AZ
A10A1FL2	0160-0204		CAPACITOR-FLTR 5500PF GMV 200V	01121	SMFB-AZ
A10A1FL3	0160-0204		CAPACITOR-FLTR 5500PF GMV 200V	01121	SMFB-AZ

See introduction for ordering information

Table 6-3. Replaceable Parts

Reference Designation	HP Part Number	Qty	Description	Mfr Code	Mfr Part Number
A10A1J1	1250-1220		CONNECTOR-RF SMC N PC	98291	50-051-0109
A10A1J2	1250-1220		CONNECTOR-RF SMC M PC	98291	50-051-0109
A10A1J3	1250-1220		CONNECTOR-RF SMC M PC	98291	50-051-0109
A10A1J4	1250-1220		CONNECTOR-RF SMC M PC	98291	50-051-0109
A10A1K1	0490-1073		RELAY-RFED 1A 250MA 120VAC 4.5VDC-COIL	28480	0490-1073
A10A1K2	0490-1073		RELAY-RFED 1A 250MA 120VAC 4.5VDC-COIL	28480	0490-1073
A10A1K3	0490-1073		RELAY-RFED 1A 250MA 120VAC 4.5VDC-COIL	28480	0490-1073
A10A1K4	0490-1073		RELAY-RFED 1A 250MA 120VAC 4.5VDC-COIL	28480	0490-1073
A10A1L1	9100-3375	2	COIL-FXD MOLDED RF CHOKE .462UH 5%	28480	9100-3375
A10A1L2	9100-3365	2	COIL-FXD MOLDED RF CHOKE .5UH 5%	0004A	AE-.500J-P
A10A1L3	9100-3375		COIL-FXD MOLDED RF CHOKE .462UH 5%	28480	9100-3375
A10A1L4	9100-3361	2	COIL-FXD MOLDED RF CHOKE .3UH 5%	28480	9100-3361
A10A1L5	9100-3362	1	COIL-FXD MOLDED RF CHOKE .323UH 5%	0004A	AD.323J-P
A10A1L6	9100-3361		COIL-FXD MOLDED RF CHOKE .3UH 5%	28480	9100-3361
A10A1L7	9100-3364	1	COIL-FXD MOLDED RF CHOKE 8UH 5%	0004	AH-B.00J-I
A10A1L8	9100-3374	2	COIL-FXD MOLDED RF CHOKE 4UH 5%	28480	9100-3374
A10A1L9	9100-3363	1	COIL-FXD MOLDED RF CHOKE 4.74UH 5%	0004A	AK-4.74J-P
A10A1L10	9100-3369	Z	COIL-FXD MOLDED RF CHOKE .924UH 5%	28480	9100-3369
A10A1L11	9100-3370	3	COIL-FXD MOLDED RF CHOKE 1UH 5%	28480	9100-3370
A10A1L12	9100-3369		COIL-FXD MOLDED RF CHOKE .924UH 5%	28480	9100-3369
A10A1L13	9100-3368	2	COIL-FXD MOLDED RF CHOKE .6UH 5%	28480	9100-3368
A10A1L14	9100-3367	1	COIL-FXD MOLDED RF CHOKE .646UH 5%	0004A	AC-.646J-P
A10A1L15	9100-3368		COIL-FXD MOLDED RF CHOKE .6UH 5%	28480	9100-3368
A10A1L16	9100-3374		COIL-FXD MOLDED RF CHOKE 4UH 5%	28480	9100-3374
A10A1L17	9100-3372	2	COIL-FXD MOLDED RF CHOKE 2UH 5%	28480	9100-3372
A10A1L18	9100-3373	1	COIL-FXD MOLDED RF CHOKE 2.37UH 5%	28480	9100-3373
A10A1L19	9100-3359	2	COIL-FXD MOLDED RF CHOKE .231UH 5%	0004A	AC-.231J-P
A10A1L20	9100-3360	1	COIL-FXD MOLDED RF CHOKE .25UH 5%	0004A	AC-.250J-P
A10A1L21	9100-3359		COIL-FXD MOLDED RF CHOKE .231UH 5%	0004A	AC-.231J-P
A10A1L22	9100-3357	2	COIL-FXD MOLDED RF CHOKE .15UH 5s	0004A	AC-.150J-P
A10A1L23	9100-3358	1	COIL-FXD MOLDED RF CHOKE .162UH 5%	0004A	AC-.162J-P
A10A1L24	9100-3357		COIL-FXD MOLDED RF CHOKE .15UH 5%	0004A	AC-.150J-P
A10A1L25	9100-3372		COIL-FXD MOLDED RF CHOKE 2UH 5%	28480	9100-3372
A10A1L26	9100-3370		COIL-FXD MOLDED RF CHOKE 1UH 5%	28480	9100-3370
A10A1L27	9100-3371	1	COIL-FXD MOLDED RF CHOKE 1.18UH 5%	28480	9100-3371
A10A1L28	9100-3355	2	COIL-FXD MOLDED RF CHOKE .115UH 5	0004A	AC-.105J-P
A10A1L29	9100-3356	1	COIL-FXD MOLDED RF CHOKE .125UH 5%	0004A	AC-.125J-P
A10A1L30	9100-3355		COIL-FXD MOLDED RF CHOKE .115UH 5	0004A	AC-.115J-P
A10A1L31	9100-3513	3	COIL-FXD NON-MOLDED RF CHOKE 7 5UH	24226	8123-2
A10A1L32	9100-3513		COIL-FXD NON-MOLDED RF CHOKE 7 5UH	24226	8123-2
A10A1L33	9100-3513		COIL-FXD NON-MOLDED RF CHOKE 7 5UH	24226	8123-2
A10A1L34	9100-3370		COIL-FXD MOLDED RF CHOKE 1UH 5%	28480	9100-3370
A10A1L35	9100-3365		COIL-FXD MOLDED RF CHOKE .5UH 5%	0004A	AE-500J-P
A10A1L36	9100-3366	1	COIL-FXD MOLDED RF CHOKE .592UH 5%	0004A	AE-592J-P
A10A1L37	9100-3512	3	COIL-FXD NON-MOLDED RF CHOKE 50UH	24226	8123-1
A10A1L38	9100-3512		COIL-FXD NON-MOLDED RF CHOKE 50UH	24226	8123-1
A10A1L39	9100-3512		COIL-FXD NON-MOLDED RF CHOKE 50UH	24226	8123-1
A10A1L40	9100-3514	6	COIL-FXD NON-MOLDED RF CHOKE 30UH	24226	8123-3
A10A1L41	9100-3514		COIL-FXD NON-MOLDED RF CHOKE 30UH	24226	8123-3
A10A1L42	9100-3514		COIL-FXD NON-MOLDED RF CHOKE 30UH	24226	8123-3
A10A1L43	9100-3514		COIL-FXD NON-MOLDED RF CHOKE 30UH	24226	8123-3
A10A1L44	9100-3514		COIL-FXD NON-MOLDED RF CHOKE 30UH	24226	8123-3
A10A1L45	9100-3514		COIL-FXD NON-MOLDED RF CHOKE 30UH	24226	8123-3
A10A1L46			PART OF ETCHED CIRCUIT BOARD		
A10A1L47			PART OF ETCHED CIRCUIT BOARD		
A10A1L48			PART OF ETCHED CIRCUIT BOARD		
A10A1L49	9140-0144	2	COIL-FXD MOLDED RF CHOKE 4.7UH 10%	24226	10/471
A10A1L50	9140-0144		COIL-FXD MOLDED RF CHOKE 4.7UH 10%	24226	10/471
A10A1L51	08640-80001		FILTER, TOROID	28480	08640-80001
A10A1L52	08640-80001		FILTER, TOROID	28480	08640-80001
A10A1L53	08640-80001		FILTER, TOROID	28480	08640-80001
A10A1L54	08640-80001		FILTER, TOROID	28480	08640-80001
A10A1MP1	1480-0352	1	PIN:DETENT 0.055 X 0.750- DIA	00000	1480-0352
A10A1MP2	08443-20003	1	ROLLER, DETENT	28480	08443-20003
A10A1MP3	08640-00029	1	SPRING, DETENT	28480	08640-00029
A10A1MP4	08640-20082	1	SHAFT, CAM	28480	08640-20082
A10A1MP5	08640-20083	1	SHAFT, CAN FOLL	28480	08640-20083
A10A1MP6	08640-20200	1	CAST, BOTTOM COVER, D/F	28480	08640-20200
A10A1MP7	08640-20214	1	BUSHING, CAM HOUSING	28480	08640-20214
A10A1MP8	08640-20219	1	COVER, CAM	28480	08640-20219
A10A1MP9	08640-40004	1	FOLLOWER, CAN	28480	08640-40004
A10A1MP10	08640-20064	1	CAM, SLIDER	28480	08640-20064
A10A1MP11	2200-0105		SCREWIMACH 4-40 .312-IN-LG PAN-HD-POZI	28480	2200-0105
A10A1MP12	08640-20133	1	SUPPORT, CLAMP	28480	08640-20133
A10A1MP16	3030-0007		SCREW-SET 4-40 .125-IN-L SMALL CUP-PT	28480	3030-0007
A10A1MP14	2200-0145	1	SCREW.-MACH 4-40 438-IN-LG PAN-HD-POZI	28480	2200-0145
A10A1MP15	08640-20206	1	RETAINER, SLIDER	28480	08640-20206

See introduction for ordering information

†SEE TABLES 7-1 AND 7-2, FOR BACKDATING.

Table. 6-3. Replaceable Parts

Reference Designation	HP Part Number	Qty	Description	Mfr Code	Mfr Part Number
A10A1MP16	0510-0015	1	RETAINER-RING .125-01A C0 PL STL	0018A	1500-12-CD
A10A1R1	0757-0346		RESISTOR 10 1% .125W F TC=0+-100	24546	C4-1/8=TO-10R0-F
A10A1R2	0757-0346		RESISTOR 10 1% .125W F TC=0+-100	24546	C4-1/8=TO-10R0-F
A10A1R3	0757-0346		RESISTOR 10 1% .125W F TC=0+-100	24546	C4-1/8=TO-10R0-F
A10A1R4	0757-0346		RESISTOR 10 1% .125W F TC=0+-100	24546	C4-1/8=TO-10R0-F
A10A1R5	0757-0346		RESISTOR 10 1% .125W F TC=0+-100	24546	C4-1/8=TO-10R0-F
A10A1R6	0757-0346		RESISTOR 10 1% .125W F TC=0+-100	24546	C4-1/8=TO-10R0-F
A10A1R7	0757-0346		RESISTOR 10 1% .125W F TC=0+-100	24546	C4-1/8=TO-10R0-F
A10A1R8	0757-0346		RESISTOR 10 1% .125W F TC=0+-100	24546	C4-1/8=TO-10R0-F
A10A1R9	0757-0346		RESISTOR 10 1% .125W F TC=0+-100	24546	C4-1/8=TO-10R0-F
A10A1S1	0640 60106	6	SWITCH, SLIDE D/F	28480	08640=60106
	3130-0480	6	CONTACT:SWITCH	28480	3130-0480
A10A1S2	08640-60106		SWITCH, SLIDE D/F	28480	08640-60106
	3130-0480		CONTACT: SITCH	28480	3130-0480
A10A1S3	08640 60106		SWITCH, SLIDE D/F	28480	08640-60106
	3130-0480		CONTACT:SWITCH	28480	3130-0480
A10A1S4	08640-60106		SWITCH, SLIDE D/F	28480	08640-60106
	3130-0480		CONTACT:SWITCH	28480	3130-0480
A10A1S5	08640-60106		SWITCH, SLIDE D/F	28480	08640-60106
	3130-0480		CONTACT:SWITCH	28480	3130-0480
A10A1S6	08640-60106		SWITCH, SLIDE D/F	28480	08640-60106
	3130-0480		CONTACT:SWITCH	28480	3130-0480
A10A1W1	8120-1830	1	CABLE-COAX 50 OHM .086-0D	28480	8120-1830
A10A1W2	8120-1832	1	CABLE-COAX 50 OHM .086-0D	28480	8120-1832
A10A1W3	8120-1831	1	CABLE-COAX 50 OHM .086-0D	28480	8120-1831
A10A1XA10A3A	1251-2035	4	CONNECTOR-PC EDGE 15-CONT/ROW 2-ROWS	71785	252-15-30-300
A10A1XA10A3B	1251-2026	2	CONNECTOR-PC EDGE 18-CONT/ROW 2-ROWS	71785	252-18-30-300
A10A2	08640-60023	1	RF DIVIDER ASSY	28480	08640-60023
A10A2C1	0160-3456		CAPACITOR-FXD 1000PF +-10% 1000WVDC CER	28480	0160-3456
A10A2C2	0160-3456		CAPACITOR-FXD 1000PF +-10% 1000WVDC CER	28480	0160-3456
A10A2C3	0160-3456		CAPACITOR-FXD 1000PF +-10% 1000WVDC CER	28480	0160-3456
A10A2C4	0160-3456		CAPACITOR-FXD 1000PF +-10% 1000WVDC CER	28480	0160-3456
A10A2C5			NOT ASSIGNED		
A10A2C6	0160-3456		CAPACITOR-FXD 1000PF +-10% 1000VDC CER	28480	0160-3456
A10A2C7	0160-3456		CAPACITOR-FXD 1000PF +-10% 1000VDC CER	28480	0160-3456
A10A2C8	0160-3456		CAPACITOR-FXD 1000PF +-10% 1000WVDC CER	28480	0160-3456
A10A2C9	0160-2055		CAPACITOR-FXD .01UF +80-20 1000WVDC CER	28480	0160-2055
A10A2C10	0160-2055		CAPACITOR-FXD .01UF +80-20 1000WVDC CER	28480	0160-2055
A10A2C11	0160-3456		CAPACITOR-FXD 1000PF +-10% 1000WVDC CER	28480	0160-3456
A10A2C12	0160-2055		CAPACITOR-FXD .01UF +80-20% 100WVDC CER	28480	0160-2055
A10A2C13	0160-3456		CAPACITOR-FXD 1000PF +-10% 1000WVDC CER	28480	0160-3456
A10A2C14	0160-3456		CAPACITOR-FXD 1000PF +-10% 1000WVDC CER	28480	0160-3456
A10A2C15	0160-3456		CAPACITOR-FXD 1000PF +-10% 1000WVDC CER	28480	0160-3456
A10A2C16	0180-0100	2	CAPACITOR-FXD 4.7UF +-10% 35VDC TA	56289	150D475X903582
A10A2C17	0160-3456		CAPACITOR-FXD 1000PF +-10% 1000WVDC CER	28480	0160-3456
A10A2C18	0180-0100		CAPACITOR-FXD 4.7UF +-10% 35VDC TA	56289	150D475X9035B2
A10A2C19	0180-0197		CAPACITOR-FXD 2.2UF +-10% 20VDC TA	56289	150D225X9020A2
A10A2C20	0180-0374	2	CAPACITOR-FXD 10UF +-10% 20VDC TA	56289	150D106X902082
A10A2C21			NOT ASSIGNED		
A10A2C22	0180-1743	10	CAPACITOR-FXD .1UF+-10% 35VDC TA	56289	150D104X9035A2
A10A2C23	0180-0374		CAPACITOR-FXD 10UF+-10%VDC TA	56289	150D106X9020B2
A10A2C24	0160-3456		CAPACITOR-FXD 1000PF +-10 1000WVDC CER	28480	0160-3456
A10A2C25	0160-3456		CAPACITOR-FXD 1000PF +-10 1000WVDC CER	28480	0160-3456
A10A2C26	0160-3456		CAPACITOR-FXD 1000PF +-10% 1000WVDC CER	28480	0160-3456
A10A2C27	0160-3456		CAPACITOR-FXD 1000PF +-10% 1000WVDC CER	28480	0160-3456
A10A2C28	0160-3456		CAPACITOR-FXD 1000PF +-10% 1000WVDC CER	28480	0160-3456
A10A2C29	0160-3456		CAPACITOR-FXD 1000PF +-10% 1000WVDC CER	28480	0160-3456
A10A2C30	0160-3456		CAPACITOR-FXD 1000PF +-10% 1000WVDC CER	28480	0160-3456
A10A2C31	0160-3456		CAPACITOR-FXD 1000PF +-10% 1000WVDC CER	28480	0160-3456
A10A2C32	0160-3456		CAPACITOR-FXD 1000PF +-10% 1000WVDC CER	28480	0160-3456
A10A2C33	0160-3456		CAPACITOR-FXD 1000PF +-10% 1000WVDC CER	28480	0160-3456
A10A2C34	0160-3456		CAPACITOR-FXD 1000PF +-10% 1000WVDC CER	28480	0160-3456
A10A2C35	0160-2055		CAPACITOR-FXD .01UF +80-20% 1000WVDC CER	28480	0160-2055
A10A2C36	0160-2055		CAPACITOR-FXD .01UF +80-20% 1000WVDC CER	28480	0160-2055
A10A2C37	0160-2055		CAPACITOR-FXD .01UF +80-20% 1000WVDC CER	28480	0160-2055
A10A2C38	0160-2055		CAPACITOR-FXD .01UF +80-20% 1000WVDC CER	28480	0160-2055
A10A2C39	0160-2055		CAPACITOR-FXD .01UF +80-20% 1000WVDC CER	28480	0160-2055
A10A2C40	0160-2055		CAPACITOR-FXD .01UF +80-20% 1000WVDC CER	28480	0160-2055
A10A2C41	0160-2055		CAPACITOR-FXD .01UF +80-20% 1000WVDC CER	28480	0160-2055
A10A2C42	0180-1743		CAPACITOR-FXD .1UF +-10% 35VDC TA	56289	150D104X9035A2
A10A2C43	0180-1743		CAPACITOR-FXD .1UF +-10% 35VDC TA	56289	150D104X9035A2
A10A2C44	0180-1743		CAPACITOR-FXD .1UF +-10% 35VDC TA	56289	150D104X9035A2
A10A2C45	0180-1743		CAPACITOR-FXD .1UF +-10% 35VDC TA	56289	150D104X9035A2

See introduction to this section for ordering information.

Table. 6-3. Replaceable Parts

Reference Designation	HP Part Number	Qty	Description	Mfr Code	Mfr Part Number
A10A2C46	0180 1743		CAPACITOR-FXD .1UF+-10% 35VDC TA	56289	150D104X9035A2
A10A2C47	0180-1743		CAPACITOR-FXD .1UF+-10% 35VDC TA	56289	150D104X9035A2
A10A2C48	0180-1743		CAPACITOR-FXD .1UF+-10% 35VDC TA	56289	150D104X9035A2
A10A2C49	0180-1743		CAPACITOR-FXD .1UF+-10% 35VDC TA	56289	1500104X9035A2
A10A2C50	0180-1743		CAPACITOR-FXD .1UF+-10% 35VDC TA	56289	150D104X9035A2
A10A2C51	0160-3456		CAPACITOR-FXD 1000PF +-10% 1000WVDC CER	28480	0160-3456
A10A2C52	0180-0197		CAPACITOR-FXD 2.2UF+-10% 20VDC TA	56289	150D225X9020A2
A10A2CR1	1901-0025		OIODE-GEN PRP 100V 200MA DO-7	28480	1901-0025
A10A2CR2	1901-0025		DIODE-GEN PRP 100V 200MA DO-7	28480	1901-0025
A10A2CR3	1901-0025		CIODE-GEN PRP 100V 200MA DO-7	28480	1901-0025
A10A2CR4	1901-0025		OIODE-GEN PRP 100V 200MA DO-7	28480	1901-0025
A10A2CR5	1901-0025		OIODE-GEN PRP 100V 200MA DO-7	28480	1901-0025
A10A2CR6	1901-0025		OIODE-GEN PRP 100V 200MA DO-7	28480	1901-0025
A10A2CR7	1901-0025		DIODE-GEN PRP 100V 200MA DO-7	28480	1901-0025
A10A2CR8	1901-0025		DIODE-GEN PRP 100V 200MA DO-7	28480	1901-0025
A10A2CR9	1901-0025		DIODE-GEN PRP 100V 200MA DO-7	28480	1901-0025
A10A2L1			PART OF ETCHED CIRCUIT BOARD		
A10A2L2			NOT ASSIGNED		
A10A2L3	9100 1620		COIL-FXD MOLDED RF CHOKE 15UH 10%	24226	15/152
A10A2L4	9140-0096	1	COIL-FXD MOLDED RF CHOKE 1UH 10%	24226	15/101
A10A2L5	9100-1612	1	COIL-FXD MOLDED RF CHOKE .33UH 20%	24226	15/330
A10A2L6	9140-0094	1	COIL-FXD MOLDED RF CHOKE .68UH 10%	24226	15/680
A10A2L7	9100-1615	1	COIL-FXD MOLDED RF CHCKE 1.2UH 10%	24226	15/121
A10A2L8	9140-0098	1	COIL-FXD MOLDED RF CHOKE 2.2UH 10%	24226	15/221
A10A2L9	9100-1618	1	COIL-FXD MOLDED RF CHOKE 5.6UH 10%	24226	15/561
A10A2L10	9140-0114	1	COIL-FXD MOLDED RF CHOKE 10UH 10%	24226	15/102
A10A2L11	9100-1620		COIL-FXD MOLDED RF CHOKE 15UH 10%	24226	15/152
A10A2L12	9100-1620		COIL-FXD MOLDED RF CHOKE 15UH 10%	24226	15/152
A10A2L13	9100-1628	2	COIL-FXD MOLDED RF CHOKE 43UH 5%	24226	15/432
A10A2L14	9100-1620		COIL-FXD MOLDED RF CHOKE 15UH 10%	24226	15/152
A10A2L15	9100-1620		COIL-FXD MOLDED RF CHOKE 15UH 10%	24226	15/152
A10A2L16	9100-1628		COIL-FXD MOLDED RF CHOKE 43UH 5%	24226	15/432
A10A2Q1	1854-0071		TRANSISTOR NPN SI PDO300MW FT-200MHZ	28480	1854-0071
A10A2Q2	1853-0034	3	TRANSISTOR PNP SI TO-18 PD=360MW	28480	1853-0034
A10A2Q3	1853-0034		TRANSISTOR PNP SI TO-18 PD=360MW	28480	1853-0034
A10A2Q4	1853-0034		TRANSISTOR PNP SI TO-18 PD=360MW	28480	1853-0034
A10A2Q5	1854-0345	1	TRANSISTOR NPN 2N5179 SI TO-72 PD=200MM	04713	2N5179
A10A2R1	0757-0394		RESISTOR 51.1 1% .125W F TC=0+-100	24546	C4-1/8-TO-51R1-F
A10A2R2	0757-0394		RESISTOR 51.1 1% .125W F TC=0+-100	24546	C4-1/8-TO-51R1-F
A10A2R3	0757-0394		RESISTOR 51.1 1% .125W F TC=0+-100	24546	C4-1/8-TO-51R1-F
A10A2R4	0757-0984	9	RESISTOR 10 1% .5W F TC=0+-100	19701	MF7C1/2TO-10R0-F
A10A2R5	0757-0438		RESISTOR 5.11K 1% .125W F TC=0+-100	24546	C4-1/8-TO-5111-F
A10A2R6	0698-7194	3	RESISTOR 17.8 2% .05W F TC=0+-100	24546	C3-1/8-TO-17R8-G
A10A2R7	0698-7223	6	RESISTOR 287 2% .05W F TC=0+-100	24546	C3-1/8-TO-287R-G
A10A2R8	0698-7223		RESISTOR 287 2% .05W F TC=0+-100	24546	C3-1/8-TO-287R-G
A10A2R9	0757-0394		RESISTOR 51.1 1% .125W F TC=0+-100	24546	C4-1/8-TO-51R1-F
A10A2R10	0757-0984		RESISTOR 10 1%.5W F TC=0+-100	19701	MF7C1/2-TO-10R0-F
A10A2R11	0757-0438		RESISTOR 5.11K 1% .125W F TC=0+-100	24546	C4-1/8-TO-5111-F
A10A2R12	0698-7194		RESISTOR 17.8 2% .05W F TC=0+-100	24546	C3-1/8-TO-17R8-G
A10A2R13	0698-7223		RESISTOR 287 2% .05W F TC=0+-100	24546	C3-1/8-TO-287R-G
A10A2R14	0698-7223		RESISTOR 287 2% .05W F TC=0+-100	24546	C3-1/8-TO-287R-G
A10A2R15	0757-0394		RESISTOR 51.1 1% .125W F TC=0+-100	24546	C4-1/8-TO-51R1-F
A10A2R16	0757-0438		RESISTOR 5.11K 1% .125W F TC=0+-100	24546	C4-1/8-TO-51R1-F
A10A2R17	0757-0984		RESISTOR 10 1% .5W F TC=0+-100	19701	MF7C1/2-TO-10R0-F
A10A2R18	0698-7194		RESISTOR 17.8 2% .05W F TC=0+-100	24546	C3-1/8-TO-17RS8G
A10A2R19	0698-7223		RESISTOR 287 2% .05 F TC=0+-100	24546	C3-1/8-TO-287R-G
A10A2R20	0698-7223		RESISTOR 287 2% .05W F TC=0+-100	24546	C3-1/8-TO-287R-G
A10A2R21	0757-0398		RESISTOR 75 1% .125W F TC=0+-100	24546	C4-1/8-TO-75R0-F
A10A2R22	0757-0984		RESISTOR 10 1% .5W F TC=0+-100	19701	MF7C1/2-TO-10R-F
A10A2R23	0757-0438		RESISTOR 5.11K 1% .125W F TC=0+-100	24546	C4-1/8-TO-5111-F
A10A2R24	0698-7224		RESISTOR 316 2% .05W F TC=0+-100	24546	C3-1/8-TO-316R-G
A10A2R25	0698-7219		RESISTOR 196 2% .05W F TC=0+-100	24546	C3-1/8-TO-196R-G
A10A2R26	0698-7190	2	RESISTOR 12.1 2% .05W F TC=0+-100	24546	C3-1/8-TO-12R1-G
A10A2R27	0698-7227	4	RESISTOR 422 2% .05W F TC=0+-100	24546	C3-1/8-TO-422R-G
A10A2R28	0698-7227		RESISTOR 422 2% .05W F TC=0+-100	24546	C3-1/8-TO-422R-G
A10A2R29	0698-3437		RESISTOR 133 1% .125W F TC=0+-100	16299	C4-1/8-TO-133R-F
A10A2R30	0757-0399		RESISTOR 82.5 1% .125W F TC=0+-100	24546	C4-1/8-TO-82R5-F
A10A2R31	0757-0984		RESISTOR 10 1% .5W F TC=0+-100	19701	MF7C1/22TO-10R0-F
A10A2R32	0757-0438		RESISTOR 5.11K 1% .125W F TC=0+-100	24546	C4-1/8-TO-5111-F
A10A2R33	0698-7224		RESISTOR 316 2% .05W F TC=0+-100	24546	C3-1/8-TO-316R-G
A10A2R34	0698-7219		RESISTOR 196 2% .05W F TC=0+-100	24546	C3-1/8-TO-196R-G
A10A2R35	0698-7190		RESISTOR 12.1 2% .05W F TC=0+-100	24546	C3-1/8-TO-12R1-G
A10A2R36	0698-7227		RESISTOR 422 2% .05W F TC=0+-100	24546	C3-1/8-TO-422R-G
A10A2R37	0698-7227		RESISTOR 422 2% .05W F TC=0+-100	24546	C3-1/8-TO-422R-G
A10A2R38	0757-0399		RESISTOR 82.5 1% .125W F TC=0+-100	24546	C4-1/8-TO-82R5-F
A10A2R39	0698-3437		RESISTOR 133 1% .125W F TC=0+-100	16299	C4-1/8-TO-133R-F
A10A2R40	0757-0984		RESISTOR 10 1% .5W F TC=0+-100	19701	MF7C1/2-TO 10R0-F

See introduction to this section for ordering information.

Table 6-3. Replaceable Parts

Reference Designation	HP Part Number	Qty	Description	Mfr Code	Mfr Part Number
A10A2R41	0757-0438		RESISTOR 5.11K 1% .125W F TC=0+-100	24546	C4-1/8-TO-5111-F
A10A2R42	0757-0984		RESISTOR 10 1% .5W F TC=0+-100	19701	MF7C1/2=TO-10R0-F
A10A2R43	0757-0438		RESISTOR 5.11% 1% .125W F TC=0+-100	24546	C4=1/8-TO-5111-F
A10A2R44	0757-0984		RESISTOR 10 K% .5W F TC=0+-100	19701	F7C1/2-TO-10R0-F
A10A2R45	0698-7253		RESISTOR 5.11K 2% .05W F TC=0+-100	24546	C3-1/8-TO-5111S G
A10A2R46	0698 7253		RESISTOR 5.11K 2% .05W F TC=0+-100	24546	C3-1/8-TO-5111=G
A10A2R47	0698-3440		RESISTOR 196 1% .125W F TC=0+-100	16299	C4-1/8-TO-196R-F
A10A2R48	0698-3444		RESISTOR 316 1% .125W F TC=0+-100	16299	C4-1/8-TO-316R-F
A10A2R49	0757-0379	1	RESISTOR 12.1 1% .125W F TC=0+-100	19701	MF4C1/8-TO-12R1-R
A10A2R50	0698-3447	2	RESISTOR 422 1% .125W F TC=0+-100	16299	C4-1/8-TO-422R-F
A10A2R51	0698-3447		RESISTOR 422 1% .125W F TC=0+-100	16299	C4-1/8-TO-422R-F
A10A2R52	0757-0442		RESISTOR 10K 1% .125W F TC=0+-100	24546	C4-1/8-TO-1002-F
A10A2R53	0757-0984		RESISTOR 10 1% .5W F TC=0+-100	19701	MF7C1/2-TO-10R0=F
A10A2R54	0757-0442		RESISTOR 10K % .125W F TC=0+-100	24546	C4-1/8-TO-1002-F
A10A2R55	0698-3151		RESISTOR 2.87K 1% .125W F TC1=0+-100	16299	C4-1/8-TO-2871-F
A10A2R56	0757-0461	1	RESISTOR 68.1K 1% .125W F TC=0+-100	24546	C4-1/8-TO-6812-F
A10A2R57	0757-1094		RESISTOR 1.47K % .125W F TC=0+-100	24546	C4-1/8-TO-1471-F
A10A2R58	0757-0458		RESISTOR 51.1K % .125W F TC=0+-100	24546	C4-1/8-TO-5112=F
A10A2R59	0757-0442		RESISTOR 100K 1% .125W F TC=0+-100	24546	C4-1/8-TO-1002-F
A10A2R60	0757-0280		RESISTOR 1K 1% .125W F TC=0+-100	24546	C4-1/8-TO-1001-F
A10A2R61	0757-0280		RESISTOR 1K 1% .125W F TC=0+-100	24546	C4-1/8-TO-1001-F
A10A2R62	0757-0416		RESISTOR 511 1% .125W F TC=0+-100	24546	C4-1/8-TO-511R-F
A10A2T1	08553-6012	5	TRANSFORMER, RF(CODE = BLUE)	28480	08553-6012
A10A2T2	08553-6012		TRANSFORMER,RF(CODE = BLUE)	28480	08553-6012
A10A2T3	08553-6012		TRANSFORMER,RF(CCODE = BLUE)	28480	08553-6012
A10A2T4	08553-6012		TRANSFORMER,RF(CODE = BLUE)	2848	08553-6012
A10A2T5	08553-6012		TRANSFORMER.RF(CODE = BLUE)	28480	08553-6012
A10A2T6	08640-80002	1	TRANSFORMER, RF 12-TURN	28480	08640-80002
A10A2TP	0360-1514		TERMINAL-STUD SGL-PIN PRESS-MTG	28480	0360-1514
A10A2TP	0360-1514		TERMINAL-STUD SGL-PIN PRESS-MTG	28480	0360-1514
A10A2TP	0360-1514		TERMINAL-STUD SGL-PIN PRESS-MTG	28480	0360-1514
A10A2TP	0360-1514		TERMINAL-STUD SGL-PIN PRESS-MTG	28480	0360-1514
A10A2U	1826-0013		IC OP AMP	28480	1826-0013
A10A2U	1820-0102		IC MC 1013P FLIP-FLOP	04713	MC1013P
A10A2U	1820-0102		IC MC 1013P FLIP-FLOP	04713	MC1013P
A10A2U	1820-0102		IC MC 1013P FLIP-FLOP	04713	MC1013P
A10A2U	1820-0102		IC MC 1013P FLIP-FLOP	04713	MC1013P
A10A2U	1820-0535	1	IC SN75 451BP DRIVER	01295	SN75451BP
A10A2U	1820-0145		IC MC 1010P GATE	04713	MC1010P
A10A2U	1820-0145		IC MC 1010P GATE	04713	MC1010P
A10A2U	1820-0145		IC MC 1010P GATE	04713	MC1010P
A10A2U	1820-0753	3	IC GATE	28480	1820-0753
A10A2U	1820-0982	1	IC 5084-0164 DIFF AMPL	28480	1820-0982
A10A2U	1820-0736		IC COUNTER	28480	1820-0736
A10A2U	1820 0753		IC GATE	28480	1820-0753
A10A2U	1820-0736		IC COUNTER	28480	1820-0736
A10A2U	1820-0753		IC GATE	28480	1820-0753
A10A2U	1820 0557	1	IC FLIP-FLOP	28480	1820-0557
A10A2U	1820-0145		IC MC 1010P GATE	04713	MC1010P
A10A2U	1820-0143	1	IC MC 1027P FLIP-FLOP	04713	MC1027P
A10A2U	1820-0145		IC MC 1010P GATE	04713	MC1010P
A10A2U	1820-0102		IC MC 1013P FLIP-FLOP	04713	MC1013P
A10A2VR1	1902-3002	1	DIOOE=ZNR 2.37V 5% D0 7 PD-.4W TC=-.074%	04713	SZ 10939-2
A10A2W1	8120-1823	1	CABLE-COAX 50 OHM .086-0D	28480	8120-1823
A10A2W2	8120-1824	1	CABLE-COAX 50 OHM .086-0D	28480	8120-1824
A10A2W3	8120-1825	1	CABLE-COAX 50 CHM .086-0D	28480	8120-1825
A10A2W4	8120-1826	1	CABLE-COAX 50 OHM .086-0D	28480	8120-1826
A10A2W5	8120-1828	1	CABLE-COAX 50 OHM .086-0D	28480	8120-1828
A10A2W6	8120-1827	1	CABLE-COAX 50 OHM .086-0D	28480	8120-1827
A10A2W7	8120-1829	1	CABLE-COAX 50 OHM .086-0D	28480	8120-1829
A10A2XA10A2U5	1200-0474	2	SOCKET; ELEC; IC 14-CONT DIP SLDR TERM	28480	1200-0474
A10A2XA10A2U6	1200-0474		SOCKET; ELEC; IC 14-CONT DIP SLOR TERM	28480	1200-0474
A10A3	08640-60022	1	RISER ASSY	28480	08640-60022
A10A2XA10A2A	1251-2035		CONNECTOR-PC EDGE 15-CONT/ROW 2-ROWS	71785	252-15-30-300
A10A3XA10A2B	1251-2026		CONNECTOR-PC EDGE 18-CONT/ROW 2-ROWS	71785	252-18-30-300
A14MP1	7120-4264	1	LABEL, INFO LINE V. +5-10%;48-440	28480	7120-4264
F1	2110-0094	1	FUSE 1.25A 250V 1.25X.25 UL IEC	75915	3121.25

See introduction for ordering information

Table 6-3. Replaceable Parts

Reference Designation	HP Part Number	Qty	Description	Mfr Code	Mfr Part Number
A11	08640-60020	1	FIXED:-FREQUENCY MODULATION OSCILLATOR (STANDARD MODULE)	28480	08640-60020
A11C1	0160-3548	1	CAPACITOR-FXD .01UF +-1% 100WVDC MICA	28480	0160-3548
A11C2	0160-0336	1	CAPACITOR-FXD 100PF +-1% 300WVDC MICA	28480	0160-0336
A11C3	0180-0094	2	CAPACITOR-FXD 100UF+75-10%: 25VDC AL	56289	30D107G025DD2
A11C4	0180-0094	2	CAPACITOR-FXD 100UF+75-10% 25VDC AL	56289	30D107G025D02
A11C5	0180-2206	1	CAPACITOR-FXD 60UF+-10 6VDC TA	56289	150D606X900682
A11C6	0180-1746	2	CAPACITOR-FXD 15UF+-10% 20VDC TA	56289	150D156X902082
A11C7	0180-1746	2	CAPACITOR-FXD 15UF+-10% 20VDC TA	56289	150D156X902082
A11CR1	1901-0040	3	DIODE-SWITCHING 30V 50MA 2NS D0-35	28480	1901-0040
A11CR2	1901-0040	3	DIODE-SWITCHING 30V 50MA 2NS D0-35	28480	1901-0040
A11CR3	1901-0040	3	DIODE-SWITCHING 30V 50MA 2NS D0-35	28480	1901-0040
A11Q1	1854-0003	4	TRANSISTOR NPN SI TO-39 PD=800MW	28480	1854-0003
A11Q2	1200-0173	4	INSULATOR-XSTR TO-5 .075-THK	28480	1200-0173
A11Q3	1854-0003	4	TRANSISTOR NPN SI TO-39 PD=800MW	28480	1854-0003
A11Q4	1200-0173	4	INSULATOR-XSTR TO-5 .075-THK	28480	1200-0173
A11Q5	1854-0003	4	TRANSISTOR NPN SI PD=300MW FT=200MHZ	28480	1854-0003
A11Q6	1200-0173	4	INSULATOR-XSTR TO-5.075-THK	28480	1200-0173
A11R1	1854-0071	4	TRANSISTOR NPN SI PD=300MW FT=200MHZ	28480	1854-0071
A11R2	1854-0071	4	TRANSISTOR NPN SI PD=300MW FT=200MHZ	28480	1854-0071
A11R3	1854-0071	4	TRANSISTOR NPN SI PD=300MW FT=200MHZ	28480	1854-0071
A11R4	1854-0071	4	TRANSISTOR NPN SI PD=300MW FT=200MHZ	28480	1854-0071
A11R5	1854-0071	4	TRANSISTOR NPN SI PD=300MW FT=200MHZ	28480	1854-0071
A11R6	1854-0071	4	TRANSISTOR NPN SI PD=300MW FT=200MHZ	28480	1854-0071
A11R7	1854-0071	4	TRANSISTOR NPN SI PD=300MW FT=200MHZ	28480	1854-0071
A11R8	1854-0071	4	TRANSISTOR NPN SI PD=300MW FT=200MHZ	28480	1854-0071
A11R9	1854-0071	4	TRANSISTOR NPN SI PD=300MW FT=200MHZ	28480	1854-0071
A11R10	1854-0071	4	TRANSISTOR NPN SI PD=300MW FT=200MHZ	28480	1854-0071
A11R11†	0757-0438	4	RESISTOR 5.11K 1% .125W F TC=0+-100	24546	C4-1/8-TO-5111-F
A11R12	0757-0438	4	RESISTOR 5.11K 1% .125W F TC=0+-100	24546	C4-1/8-TO-5111-F
A11R13	0757-0438	4	RESISTOR 5.11K 1% .125W F TC=0+-100	24546	C4-1/8-TO-5111-F
A11R14	0698-0085	4	RESISTOR 2.61K 1% .5W F TC=0+-100	51629	C4 1/8-TO-2611-F
A11R15	0757-0401	4	RESISTOR 100 1% .125W F TC=0+-100	24546	C4-1/8-TO-101-F
A11R16	0757-0401	4	RESISTOR 100 1% .125W F TC=0+-100	24546	C4-1/8-TO-101-F
A11R17	0757-0401	4	RESISTOR 100 1% .125W F TC=0+-100	24546	C4-1/8-TO-101-F
A11R18	0757-0401	4	RESISTOR 100 1% .125W F TC=0+-100	24546	C4-1/8-TO-101-F
A11R19	0698-0024	4	RESISTOR 2.61K 1% .5W F TC=0+-100	24546	NA6
A11R20	0698-0024	4	RESISTOR 2.61K 1% .5W F TC=0+-100	24546	NA6
A11R21	0698-0024	4	RESISTOR 2.6K 1% .5% F TC=0+-100	24546	NA6
A11R22	0698-0024	4	RESISTOR 2.6K 1% .5% F TC=0+-100	24546	NA6
A11R23	0757-1100	4	RESISTOR 600 1% .125W F TC=0+-100	24546	C4-1/8-TO-601-F
A11R24	0757-1100	4	RESISTOR 600 1% .125W F TC=0+-100	24546	C4-1/8-TO-601-F
A11R25	0757-0442	4	RESISTOR 600 1% .125W F TC=0+-100	24546	C4-1/8-TO-1002-F
A11R26	0757-0442	2	RESISTOR 10K 1% .125W F TC=0+-100	24546	C4-1/8-TO-1002-F
A11TP1	0360-1514	6	TREMINAL STUD SGL-PIN PRESS-MTG	28480	0360-1514
A11TP2	0360-1514	6	TERMINAL STUD SGL-PIN PRESS-MTG	28480	0360-1514
A11TP3	0360-1514	6	TERMINAL STUD SGL-PIN PRESS-MTG	28480	0360-1514
A11TP4	0360-1514	6	TERMINAL-STUD SGL-PIN PRESS-MTG	28480	0360-1514
A11TP5	0360-1514	6	TERMINAL-STUD SGL-PIN PRESS-MTG	28480	0360-1514
A11TP6	0360-1514	6	TERMINAL-STUD SGL-PIN PRESS-MTG	28480	0360-1514
A11U2	1826-0007	1	IC UA 741 0P AMP	28480	1826-0007
A11VR1	1902-0049	2	DIODE-ZNR 6.19V 5% D0-7 PD=.4w TC+.022%	04713	SZ 10939-122
A11VR3	1902-0049	2	DIODE-ZNR 6.19V 5% D0-7 PD=.4W TC+.022%	04713	SZ 10939-122
A11A1	08640-60116	1	FREQUENCY SELECT SWITCH ASSY	28480	08640-60116
A11A1MP1	08640-20218	1	HOUSING, GEAR SPROCKET, AUDIO	28480	08640-20218
A11A1R1	0698-8272	2	RESISTOR 157K 1t .125w F TC1=O+100	19701	MF4C1/8-TO-1573-F
A11A1R2	0757-0479	2	RESISTOR 392K 1I 125w F TC-O+100	19701	MF4C1/8-TO-3923-F
A11A1R3	0698-8272	2	RESISTOR 157K 1I 125W F TC-O+100	19701	MF4C1/8-TO-1573-F
A11A1R4	0757-0479	2	RESISTOR 392K 1S .125W F TC=O+100	19701	MF4C1/8-TO-3923-F
A11A1S1	3100-3091	1	SWITCH:ROTARY	28480	3100-3091

See introduction for ordering information

†SEE TABLES 7-1 AND 7-2, FOR BACKDATING.

Model 8640B

Table 6-3. Replaceable Parts

Reference Designation	HP Part Number	Qty	Description	Mfr Code	Mfr Part Number
A11	08640-60019	1	VARIABLE-FREQUENCY MODULATION OSC. ASSY (OPTION 001)	28480	08640-60019
A11C1	0121-0477	1	CAPACITOR-V A1R DIEL 10.3/365.7PF 350V (INCLUDES C2, C3)	80486	2112 MODIFIED
A11C2			NSR PART OF A11C1		
A11C3			NSR PART CF A11C1		
A11C4	0160-2257	1	CAPACITOR-FXD 10PF +-5% 500WVDC CER	28480	0160-2257
A11C5	0160-2261	2	CAPACITOR-FXD 15PF +-5% 500WVDC CER	28480	0160-2261
A11C6	0140-0213	2	CAPACITOR-FXD 2000PF +-1% 300VDC MICA	72136	DM19F202F0300WV1CR
A11C7	0140-0213	2	CAPACITOR-FXD 2000PF +-1% 300WVDC MICA	72136	DM19F202F0300WV1CR
A11C8	0160-2055	1	CAPACITOR-FXD .01UF +80-20% 100WVDC CER	28480	0160-2055
A11C9	0121-0036	1	CAPACITOR-V TRMR-CER 5.5/18PF 350V	73899	DV11PR18A
A11C10	0180-0374	1	CAPACITOR-FXD 10UF +-10 20VDC TA	56289	150D1006X90200B2
A11C11	0160-2204	1	CAPACITOR-FXD 100PF +-5% 300WVDC MICA	93790	RDM15F101J3C
A11C12	0160-2199	1	CAPACITOR-FXD 30PF +-5% 300WVDC MICA	24840	0160-2199
A11C13	0180-0116	4	CAPACITOR-FXD 6.8UF +-10% 35VDC TA	56289	150D685X9035B2
A11C14	0180-0116	4	CAPACITOR-FXD 6.8UF+-10% 35VDC TA	56289	150D685X9035B2
A11C15	0180-1714	2	CAPACITOR-FXD 330UF+-10% 6VDC TA	56289	150D337X9006S2
A11C16	0180-1714	2	CAPACITOR-FXD 330UF+-10% 6VDC TA	56289	150D337X9006S2
A11C17	0180-0116	4	CAPACITOR-FXD 6.8UF +-10% 35VDC TA	56289	150D685X9035B2
A11C18	0180-0116	4	CAPACITOR-FXD 6.8UF+-10% 35VDC TA	56289	150D685X9035B2
A11C19	0180-0228	1	CAPACITOR-FXD 22UF +-10% 15VDC TA	56289	150D226X9015B2
A11C20	0160-2261	1	CAPACITOR-FXD 15PF +-5% 500WVDC CER	28480	0160-2261
A11C21	0160-2236	1	CAPACITOR-FXD 1PF +- .25PF 500WVDC CER	28480	0160-2236
A11C22	0180-2207	2	CAPACITOR-FXD 100UF +-10VDC TA	56289	150D107X9010R2
A11LC23	0180-2207	2	CAPACITOR-FXD 100UF +-10VDC TA	56289	1500107X9010R2
A11CR1	1901-0040	10	DIODE-SWITCHING 30V 50MA 2NS DO-35	28480	1901-0040
A11CR2	1901-0040	10	DIODE-SWITCHING 30V 50MA 2NS DO-35	28480	1901-0040
A11CR3	1901-0040	10	DIODE-SWITCHING 30V 50MA 2NS DO-35	28480	1901-0040
A11CR4	1901-0040	10	DIODE-SWITCHING 30V 50MA 2NS DO-35	28480	1901-0040
A11CR5	1901-0040	10	DIODE-SWITCHING 30V 50MA 2NS DO-35	28480	1901-0040
A11CR6	1901 0040	10	DIODE-SWITCHING 30V 50MA 2NS DO-35	28480	1901o0040
A11CR7	1901-0040	10	DIODE-SWITCHING 30V 50MA 2NS DO-35	28480	1901-0040
A11CR8	1901-0040	10	DIODE-SWITCHING 30V 50MA 2NS DO-35	28480	1901-0040
A11CR9	1901-0040	10	DIODE-SWITCHING 30V 50MA 2NS DO-35	28480	1901-0040
A11CR10	1901-0040	10	DIODE-SWITCHING 30V 50MA 2NS DO-35	28480	1901-0040
A11MP1	0340-0037	2	TERMINAL-STUD DBL-TUR PRESS-MTG	28480	0340-0037
	0340-0039	2	TERMINAL BUSHING-TEFLON: MOUNTS IN	28480	0340-0039
A11MP2	0340-0037	2	TERMINAL-STUD DBL-TUR PRESS-MTG	28480	0340-0037
	0340-0039	2	TERMINAL BUSHING-TEFLON: MOUNTS IN	28480	0340-0039
A11MP3	1430-0764	1	GEAR SPUR	28480	1430-0764
A11MP4	08640-00006	1	COVER, AUDIO OSCILLATOR	28480	08640-00006
A11MP5	08640-20090	4	SUPPORT, COVER AUDIO OSCILLATOR	28480	08640-20090
A11MP6	08640-00008	1	COVER, BACK A OSCILLATOR	28480	08640-00008
A11MP7	08640-20062	1	SPACER, BUSHING	28480	08640-20062
A11MP8	2200-0103	1	SCREW-MACH 4-40 .25-IN-LG PAN-HD-POZI	28480	2200-0103
A11MP9	0570-0111	1	SCREW-MACH 6-32 .37-IN-LG RD-HD-SLT	95987	N-632-3/8
A11MP10	2190-0004	1	WASHER-LK INTL T NO.-4 .115-IN-ID	U1453	1904
A11MP11	2260-0009	1	NUT-HEX-W/LKWR 4-40-THD .094-THK .25A/F	28480	2260-0009
A11MP12	0403-0026	1	GLIDE: NYLON	28480	0403-0026
A11MP13	4040-0749	1	EXTRACTOR-PC BD BRN POLYC .062-BD-THKNS	28480	4040-0749
	1480-0073	5	PIN:DRIVE 0.250" LG	00000	0BD
A11MP14	086640-20090	1	SUPPORT, LOWER, AUDIO OSCILLATOR	28480	086640-20090
A11MP15	08640-20090	1	SUPPORT, LOWER, AUDIO OSCILLATOR	28480	08640-20090
A11MP16	08640-20090	1	SUPPORT, LCWER, AUDIO OSCILLATOR	28480	08640-20090
A11Q1	1853-0020	2	TRANSISTOR PNP SI PD=300MW FT=150MHZ	28480	1853-0020
A11Q2	1854-0071	2	TRANSISTOR NPN SI PD=300MW FT=200MHZ	28480	1854-0071
A11Q3†	1853-0276	2	TRANSISTOR PNP SI TO-52 PD=3600MW	04713	MM3906
	1200-0173	2	INSULATOR-XSTR TO-5 .075-THK	28480	1200-0173
A11Q4	1854-0351	2	TRANSISTOR NPN SI TO-18 PD=360MW	28480	1854-0351
A11Q5	1854-0003	2	TRANSISTOR NPN SI TO-39 PD=800MW	28480	1854-0003
A11Q6†	1854-0003	2	TRANSISTOR NPN SI TO-39 PD=800MW	28480	1854-0003
	1200-0173	2	INSULATOR-XSTR TO-5 .075-THK	28480	1200-0173
A11Q7	1854-0351	2	TRANSISTOR NPN SI TO-18 PD=360MW	28480	185-0351
A11Q8	1853-0276	2	TRANSISTOR PNP SI TO-52 PD=360MW	04713	MM3906
A11Q9	1854-0071	2	TRANSISTOR NPN SI PD=300MW FT=200MHZ	28480	1854-0071
A11Q10	1853-0020	2	TRANSISTOR PNP SI PD=300MW FT=150MHZ	28480	1853-0020
A11Q11	1855-0062	1	TRANSISTOR J-FET N-CHAN (D-NODE SI	28480	1855-0062
411Q12	1854-0071	1	TRANSISTOR NPN SI PD=300MW FT=200MHZ	28480	1854-0071
A11R1	0698-8294	2	RESISTOR 21.5M 1% .5W F TC=O+-100	28480	0698-8294
411R2	0698 3453	3	RESISTOR 196K 1% .125W F TC=O+-100	16299	C4-1/8-TO-1963-F
A11R3	0698-4508	1	RESISTOR 78.7K 1% .125W F TC=O+ 100	24546	C4-1/8-TO-7872-F
A11R4	0698-8294	2	RESISTOR 21.5M 1% .5W F TC=O+-100	28480	0698-8294
A11R5	0698-3451	1	RESISTOR 133K 1% .125W F TC=O+-100	16299	C4-1/8-1TO-1333-F

See introduction to this section for ordering information.

† SEE TABLES 7-1 AND 7-2, FOR BACKDATING.

Model 8640B

Table 6-3. Replaceable Parts

Reference Designation	HP Part Number	Qty	Description	Mfr Code	Mfr Part Number
A11R6	0698-3453		RESISTOR 196K 1% .125W F TC=0+-100	16299	C4-1/8-TO-1963-F
A11R7	0757-0401	8	RESISTOR 100 1% .125W F TC=0+-100	24546	C4-1/8-TO-101-F
A1AR8	0757-0401		RESISTOR 100 1% .125W F TC=0+-100	24546	C4-1/8-TO-101-F
A11R9	0757-0441	1	RESISTOR 8.25K 1% .125W F TC=0+-100	24546	C4-1/8-TO-8251-F
A11R10	0757-0447	1	RESISTOR 16.2K 1% .125W F TC=0+-100	24546	C4-1/8-TO-1622-F
A11R11	0757-0199	5	RESISTOR 21.5K 1% .125W F TC=0+-100	24546	C4-1/8-TO-2152-F
A11R12	0757-0442	6	RESISTOR 100K 1% .125W F TC=0+-100	24546	C4-1/8-TO-1002-F
A11R13	0757-0279	2	RESISTOR 3.16K 1% .125W F TC=0+-100	24546	C4-1/8-TO-3161-F
A11R14	0757-0199		RESISTOR 21.5K 1% .125W F TC=0+-100	24546	C4-1/8-TO-2152-F
A11R15	0698-0082	2	RESISTOR 464 1% .125W F TC=0+-100	16299	C4-1/8-TO-4640-F
A11R16	0757-0200	2	RESISTOR 5.62K 1% .125W F TC=0+-100	24546	C4-1/8-TO-5621-F
A11R17	0757-0442		RESISTOR 10K 1% .125W F TC=0+-100	24546	C4-1/8-TO-1002-F
A11R18	0757-0401		RESISTOR 100 1% .125W F TC=0+-100	24546	C4-18-TO-101-F
A11R19	0757-0395	5	RESISTOR 56.2 1% .125W F TC=0+-100	24546	C4-1/8-TO-56R2-F
A11R20	0757-0401		RESISTOR 100 1% .125W F TC=0+-100	24546	C4-1/8-TO-101-F
A11R21	0757-0395		RESISTOR 56.2 1% .125W F TC=0+-100	24546	C4-1/8-TO-56R2-F
A11R22	0757-0395		RESISTOR 56.2 1% .125W F TC=0+-100	24546	C4-1/8-TO-56R2-F
A11R23	0757-0346	4	RESISTOR 10 1% .125W F TC=0+-100	24546	C4-1/8-TO-10RO-F
A11R24	0757-0346		RESISTOR 10 1% .125W F TC=0+-100	24546	C4-1/8-TO-10RO-F
A11R25	0757-0442		RESISTOR 10K 1% .125W F TC=0+-100	24546	C4-1/8-TO-1002-F
A11R26	0698-3156	2	RESISTOR 14.7K 1% .125W F TC=0+-100	16299	C4-1/8-TO-1472-F
A11R27	0757-0280	2	RESISTOR 1K 1% .125W F TC=0+-100	24546	C4-1/8-TO-1001-F
A11R28	0698-3132	1	RESISTOR 261 1% .125W F TC=0+-100	16299	C4-1/8-TO-2610-F
A11R29			NOT ASSIGNED		
A11R30	0757-0346		RESISTOR 10 1% .125W F TC=0+-100	24546	C4-1/8-TO-10RO-F
A11R31	0757-0346		RESISTOR 10 1% .125W F TC=0+-100	24546	C4-1/8-TO-10RO-F
A11R32	0757-0280		RESISTOR 1K 1% .125W F TC=0+-100	24546	C4-1/8-TO-1001-F
A11R33	0698-3453		RESISTOR 196K 1% .125W F TC=0+-100	6299	C4-1/8-TO-1963-F
A11R34†	0698-3152	1	RESISTOR 3.48K 1% .125W F TC=0+-100	16299	C4-1/8-TO-3481-F
A11R35†	2100-2521	2	RESISTOR-TRMR 2K 10% C SIDE ADJ 1-TURN	30983	ET50X202
A11R36†	0757-0290	1	RESISTOR 6.19K 1% .125W F TC=0+-100	19701	MF4C1/8-TO-6191-F
A11R37	0757-0279		RESISTOR 3.16K 1% .125W F TC=0+-100	24546	C4-1/8-TO-3161-F
A11R38	0757-0199		RESISTOR 21.5K 1% .012W F TC=0+-100	24546	C4-1/8-TO-2152-F
A11R39†	0698-3150	1	RESISTOR 2.37K 1% .125W F TC=0+-100	16299	C4-1/8-TO-2371-F
A11R40	2100-2521		RESISTOR-TRMR 2K 10% C SIDE-ADJ 1-TURN	30983	ET50X202
A11R41	0698-0082		RESISTOR 464 1% .125W F TC=0+-100	16299	C4-1/8-TO-4640-F
A11R42	0757-0200		RESISTOR 5.62 1% .125W F TC=0+-100	24546	C4-1/8-TO-5621-F
A11R43	0757-0401		RESISTOR 100 1% .125 F TC=0+-100	24546	C4-1/8-TO-101-F
A11R44	0757-0401		RESISTOR 100 1% .125 F TC=0+-100	24546	C4-1/8-TO-101F
A11R45	0757-0442		RESISTOR 100 1% .125 F TC=0+-100	24546	C4-1/8-TO-1002-F
A11R46	0757-0401		RESISTOR 100 1% .125 F TC=0+-100	24546	C4-1/8-TO-101-F
A11R47	0757-0401		RESISTOR 100 1% .125 F TC=0+-100	24546	C4-1/8-TO-101-F
A11R48	0698-3156		RESISTOR 14.7 1% .125 W F TC=0+-100	16299	C4-1/8-TO-1472-F
A11R49	0698-0024	2	RESISTOR 2.61K 1% .5 W F TC=0+-100	24546	NA6
A11R50	0698-0024		RESISTOR 2.61 K 1% .5W F TC=0+-100	24546	NA6
A11R51	0757-0395		RESISTOR 56.2 1% .125W F TC=0+-100	24546	C4-1/8-TO-56R2-F
A11R52	0757-0395		RESISTOR 56.2 1% .125W F TC=0+-100	24546	C4-1/8-TO-56R2-F
A11RS3	075T-1100	2	RESISTOR 600 1% .125 F TC=0+-100	24546	C4-1/8TO-601-F
A11R54	0757-1100		RESISTOR 600 1% .125 F TC=0+-100	24546	C4-1/8-TO-601-F
A11R55	0757-0442		RESISTOR 10K 1% .125W F TC=0+-100	24546	C4-1/8-TO-1002-F
A11R56	0757-0442		RESISTOR 10K 1% .125W F TC=0+-100	24546	C4-1/8-TO-1002-F
A11RT1	5080-1718	1	THERMISTOR	28480	5080-1718
A11TP1	0360-1514	6	TERMINAL-STUD SGL-PIN PRESS-MTG	28480	0360-1514
A11TP2	0360-1514		TERMINAL-STUD SGL-PIN PRESS-MTG	28480	0360-1514
A11TP3	0360-1514		TERMINAL-STUD SGL-PIN PRESS-MTG	28480	0360-1514
A11TP4	0360-1514		TERMINAL-STUD SGL-PIN PRESS-MTG	28480	0360-1514
A11TP5	0360-1514		TERMINAL-STUD SGL-PIN PRESS-MTG	28480	0360=1514
A11TP6	0360-1514		TERMINAL-STUD SGL-PIN PRESS-MTG	28480	0360-1514
A11VR1	1902-3059	2	DIODE-ZNR 3.83V 5% DO-7 PD=.4W TC=.051%	04713	SZ 10939-62
A11VR2	1902-3059		DOIDE-ZNR 3.83V 5% DO-7 PD=.4W TC=.05%	04713	SZ 10939-62
A11A1	08640-60149	1	FREQUENCY SELECT SWITCH ASSY	28480	08640-60149
A11A1MP1	08640-20218	1	HOUSING, GEAR SPROCKET. AUDIO	28480	08640-20218
A11A1MP2	08640-20205	1	GEAR SPUR	28480	08640-20205
A11A1MP3	1430-0763	1	GEAR SPUR	28480	1430-0763
A11A1MP4	08640-20084	1	SHAFT. AUDIO OSCILLATOR	28480	08640-20084
A11A1MP5	3030-0196	1	SCREW-SET 4-40 .188-IN-LG SMALL CUP-PT	28480	3030-0196
A11A1MP6	3030-0007	1	SCREW-SET 4-40 .125-IN-LG SMALL CUP-PT	28480	3030-0007
A11A1R1	0698-4471	2	RESISTOR 7.15K 1% .125W F TC=0+-100	24546	C4-1/8-TO-7151-F
A11A1R2	0757-0199		RESISTOR 21.5K 1% .125W F TC=0+-100	24546	C4-1/8-TO-2152-F
A11A1R3	0698-3454	2	RESISTOR 215K 1% .125W F TC=0+-100	16299	C4-1/8-TO-2153-F
A11A1R4	0698-5903	2	RESISTOR 2.4M 1% .5W F TC=0+-100	91637	MFF-1/2-10
A11A1R5	0698-4471		RESISTOR 7.15K 1% .125W F TC=0+-100	24546	C4-1/8-TO-7151-F

See introduction to this section for ordering information

† SEE TABLES 7-1 AND 7-2, FOR BACKDATING.

Table. 6-3. Replaceable Parts

Reference Designation	HP Part Number	Qty	Description	Mfr Code	Mfr Part Number
A11A1R6	0757-0199		RESISTOR 21.5K 1% 125W F TC=0+-100	24546	C4-1/8-TO-2152-F
A11A1R7	0698-3454		RESISTOR 215K 1% .125W F TC=0+-100	16299	C4-1/8-TO-2153-F
A11A1R8	0698-5903		RESISTOR 2.4H 1% .5W F TC=0+-100	91637	MFF=1/2-10
A11A1S1	08640-60108	1	SWITCH ASSY, AUDIO OSCILLATOR	28480	08640-60108
	3100-3081	1	SWITCH:ROTARY	28480	3100-3081

See introduction to this section for ordering information.

Table. 6-3. Replaceable Parts

Reference Designation	HP Part Number	Qty	Description	Mfr Code	Mfr Part Number
A12	08640 60003		RECTIFIER ASSY	28480	08640-60003
A12C1	0160-0168	5	CAPACITOR-FXD .1UF +-10% 200WVDC POLYE	56289	292P10492
A12C2	0160-0168		CAPACITOR-FXD .1UF +-10% 200WVDC POLYE	56289	292P10492
A12C3	0160-0168		CAPACITOR-FXD .1UF +-10% 200WVDC POLYE	56289	292P10492
A12C4	0160-0168		CAPACITOR-FXD .1UF +-10% 200WVDC POLYE	56289	292P10492
A12C5	0160-0168		CAPACITOR-FXD .1UF +-10% 200WVDC POLYE	56289	292P10492
A12CR1	1901-0418	20	DIODE-PWR RECT 400V 1.5A	04713	SR184612
A12CR2	1901-0418		DIODE-PWR RECT 400V 1.5A	04713	SR1846-12
A12CR3	1901-0418		DIODE-PWR RECT 400V 1.5A	04713	SR1846-12
A12CR4	1901-0418		DIODE-PWR RECT 400V 1.5A	04713	SR1846-12
A12CR5	1901-0418		DIODE-PWR RECT 400V 1.5A	04713	SR1846-12
A12CR6	1901-0418		DIODE-PWR RECT 400V 1.5A	04713	SR1846-12
A12CR7	1901-0418		DIODE-PWR RECT 400V 1.5A	04713	SR1846-12
A12CR8	1901-0418		DIODE-PWR RECT 400V 1.5A	04713	SR1846-12
A12CR9	1901-0418		DIOOE-PWR RECT 400V 1.5A	04713	SR1846-12
A12CR10	1901-0418		DIODE-PWR RECT 400V 1.5A	04713	SR1846-12
A12CR11	1901-0418		DIODE-PWR RECT 400V 1.5A	04713	SR1846-12
A12CR12	1901-0418		DIODE-PWR RECT 400V 1.5A	04713	SR1846-12
A12CR13	1901-0418		DIODE-PWR RECT 400V 1.5A	04713	SR1846-12
A12CR14	1901-0418		DIODE-PWR RECT 400V 1.5A	04713	SR1846-12
A12CR15	1901-0418		DIODE-PWR RECT 400V 1.5A	04713	SR1846-12
A12CR16	1901-0418		DIODE-PWR RECT 400V 1.5A	04713	SR1846-12
A12CR17	1901-0418		DIODE-PWR RECT 400V 1.5A	04713	SR1846-12
A12CR18	1901-0418		DIODE-PWR RECT 400V 1.5A	04713	SR1846-12
A12CR19	1901-0418		DIODE-PWR RECT 400V 1.5A	04713	SR1846-12
A12CR20	1901-0418		DIODE-PWR RECT 400V 1.5A	04713	SR1846-12
A12MP1	0403-0026	2	GLIDE:NYLON	28480	0403-0026
A12Q	1884-0012	6	THYRISTOR-SCR JEDEC 2N3528	02735	2N3528
A12R81	0757-0401	8	RESISTOR 100 1% .125W F TC=0+-100	24546	C4-1/8-TO-101-F
A12R82	0698-3447	6	RESISTOR 422 1% .125W F TC=0+-100	16299	C4-1/8-TO-422R-F
A12R3	0757-0199	1	RESISTOR 21.5K 1% .125W F TC=0+-100	24546	C4-1/8-TO-2152-F
A12R4	0757-0442	18	RESISTOR 10K 1% .125W F TC=0+-100	24546	C4-1/8-TO-1002-F
A12R5	0757-0442		RESISTOR 10K 1%2 .125W F TC=0+-100	24546	C4-1/8-TO-1002-F
A12R6	0757-0442		RESISTOR 10K 1% .125W F TC=0+-100	24546	C4-1/877TO-1002-F
A12R7	0757-0442		RESISTOR 10K 1S .125W F TC=0+-100	24546	C4-1/8-TO-1002-F
A12VR1	1902-3393	1	DIODE-2NR 75V 5% DO=7 PO-.4W TC+-.077%	04713	SZ 10939-434
A13	08640-60002	1	MODULATION/METERING MOTHER BOARD ASSY	28480	08640=60002
A13C1	0180-2208	5	CAPACITOR-FXD 220UF+-10% 10VDC TA	56289	150D227X9010S2
A13C2	0180-2208		CAPACITOR-FXD 220UF+-10% 10VDC TA	56289	1500227X9010S2
A13C3	0180-2208		CAPACITOR-FXD 220UF+-10% 10VDC TA	56289	1500227X9010S2
A13C4	0180-2208		CAPACITOR-FXD 220UF+-10% 10VDC TA	56289	1500227X9010S2
A13J1	1250-0257	3	CONNECTOR-RF SMB M PC	28480	1250-0257
A13J2	1251-3055	2	CONNECTOR STRIP:8 MALE CONTACT	74868	221-70
A13J3	1250-0257		CONNECTOR-RF SMB N PC	28480	1250-0257
A13J4	1250-0257		CONNECTOR-RF SMB M PC	28480	1250-0257
A13J5	1251-3055		CONNECTOR STRIP:8 MALE CONTACT	74868	221-70
A13MP1	0403-0026		GLIDE:NYLON	28480	0403-0026
A13MP2	08640-20211	1	GUIDE. CONNECTOR	28480	08640-20211
A13MP3	08640-40063		GUIDE, SLIDE SWITCH	28480	08640-40063
A13R1	0757-0004	1	RESISTOR 860 1% 5W F TC=0+-100	19701	MF7C1/2-TO-861-F
A13R2	0757-0443	1	RESISTOR 11K 1% .125W F TC=0+-100	24546	C4-1/8-TO-1102-F
A13R3	2100-1986	1	RESISTOR-TRMR 1K 10% TOP-ADJ 1-TURN	30983	ETSOW102
A13R4	0757-0460	2	RESISTOR 61.9K 1% .125W F TC=0+-100	24546	C4-1/8-TO-6192-F
A13R5	0757-0460		RESISTCR 61.9K 1% .125W F TC=0+-100	24546	C4-1/8-TO-6192-F
A13R6	08640-60152	1	SWITCH, SLIDE 4R, PC	28480	08640-60152
	5020-3440	2	SPRING:DETENT	28480	5020-3440
	08640-40063	3	GUIDE, SLIDE SWITCH	28480	08640-40063
A13S2	08640-60153	1	SWITCH, SLIDE 3R, PC	28480	08640-60153
	5020-3440		SPRING:DETENT	28480	5020-3440
	5040-0319	1	SLIDE:3 RGW. 12 POSITION	28480	5040-0319
	08640-40063		GUIDE, SLIDE SWITCH	28480	08640-40063
A13XA11	1251-2571	8	CONNECTOR-PC EDGE 15-CONT/ROW 1-ROW	26742	91-6915-0702-00
A13XA15	1251-2035	1	CONNECTOR-PC EDGE 15-CONT/ROW 2-ROWS	71785	252-15-30=3D0
A13XA2	1251-2571		CONNECTOR-PC EDGE 15-CONT/ROW 1-ROW	26742	91-6915-0702-00
A13XA3A4	1251-0472	1	CONNECTOR-PC EDGE 6-CONT/ROW 2-ROWS	71785	252-06-30-300

See introduction to this section for ordering information.

Table. 6-3. Replaceable Parts

Reference Designation	HP Part Number	Qty	Description	Mfr Code	Mfr Part Number
A13XA4	1251-2571		CONNECTOR-PC EDGE 15-CONT/ROW 1-ROW	26742	91-6915-0702-00
A13XA5	1251-2571		CONNECTOR-PC EDGE 15-CONT/ROW 1-ROW	26742	91-6915-0702-00
A13XA7	1251-2571		CONNECTOR-PC EDGE 15-CONT/ROW 1-ROW	26742	91-6915-0702-00
A13XA8A3	5060-0109	1	CONNECTOR:15 CONTACTS	28480	5060-0109
A14	5060 9409	1	LINE MODULE WITH FILTER, JADE GRAY	28480	5060-9409
A14MP1	7120-4264	1	LABEL, INFO LINE V.+5-10%; 48-440	28480	7120-4264
414P1	5020-8122	1	LINE VOLTAGE SELECTION CARD	28480	5020-8122
A15	08640-60018	1	RISER ASSY	28480	08640-60018
A15MP1	0403-0153	2	GUIDE-PC BD BRN POLYC .062-BD-THKNS I-LG	28480	0403-0153
A15MP2	0403-0154	1	GUIDE-PC BF RED POLYC .062-BD-THKNS I-LG	28480	0403-0154
A15MP3	0403-0155	1	GUIDE-PC BD CRN POLYC .062-BD-THKNS I-LG	28480	0403-0155
A15XA17	1251-3308	1	CONNECTOR-PC EDGE 15-CONT/ROW 2-ROWS	71785	252-12-30-032
A16	08640-60119	1	FAN MOTOR ASSY	28480	08640-60119
A16B1	3140G0490	1	MOTOR BRUSHLESS 10VDC 2550-RPM	3H768	1AD3001-OA
A16P1	1251-0198	1	CONNECTOR-PC EDGE 6-CONT/ROW 2-ROWS	71785	251-06-30-261
	5040-0327	1	HOOD:CCNECTOR	28480	5040-0327
A17	0B64* 60001	1	POWER SUPPLY MOTHER BOARD ASSY	28480	08640-60001
A17XA12	1251-2034	3	CONNECTOR-PC EDGE 10-CONT/ROW 2-ROWS	71785	252-10-30-300
A17XA18	1251-2571		CONNECTOR-PC EDGE 15-CONT/ROW 1 ROW	26742	91-6915-0702-00
A17XA20	1251-2571		CONNECTOR-PC EDGE 15-CONT/ROW 1-ROW	26742	91-6915-0702-00
A17XA22	1251-2571		CONNECTOR-PC EDGE 15-CONT/ROW 1-ROW	26742	91-6915-0702-00
A17XA24	1251-2034		CONNECTOR-PC EDGE 10-CONT/ROW 2-ROWS	71785	252-1030-300
A17XA26	1251-2034		CONNECTOR-PC EDGE 10-CONT/ROW 2-ROWS	71785	252-10-30-300
A18	08640-60004	1	REGULATOR & FAN DRIVER ASSY, -5.2V	28480	08640-60004
A18C1	0180-0229	5	CAPACITOR-FXD 33UF+10% 10 VDC TA	56289	150D336X9010B2
A18C2	0160-3534	4	CAPACITOR-FXD 510PF +5% 100WVDC MICA	28480	0160-3534
A18C3	0180-2214	1	CAPACITOR-FXD 90UF+75-10% 16VDC AL	56289	300906G016CC2
A18C4	0180-0197	3	CAPACITOR-FXD 2.2UF+10 20% VDC TA	56289	1500225X9020A2
A18C5	0160-2055	1	CAPACITOR-FXD .01UFF +80-20% 100WVDC CER	28480	0160-2055
A18CR1	1901-0040	21	DIODE-SWITCHING 30V 50MA 2NS DO-35	28480	1901-0040
A18CR2	1901-0025	4	DIODE-GEN PRP 100V 200MA DO-7	28480	1901-0025
A18CR3	1901-0025		DIODE-GEN PRP 100V 200MA DO-7	28480	1901-0025
A1BCR4	1901-0040		DIODE-SWITCHING 30V 50MA 2NS DO-35	28480	1901-0040
A18CR5	1901-0040		DIODE-SWITCHING 30V 50MA 2NS DO-35	28480	1901-0040
A18CR6	1901-0159	5	DIODEPWR FECT 400V 750MA DO-41	04713	SR1358-4
A18CR7	1901-0040		DIODE-SWITCHING 30V 50MA 2NS DO-35	28480	1901-0040
A18CR8	1901-0040		DIODE-SWITCHING 30V 50MA 2NS DO-35	28480	1901-0040
A18CR9	1901-0049	2	DIODE-PWR RECT 50V 750MA DO-29	28480	1901-0049
A18CR10	1901-0049		DIODE-PWR RECT 50V 750MA DO-29	28480	1901-0049
A18CR11	1901-0040		DIODE=SWITCHING 30V 50MA 2NS 00=35	28480	1901-0040
A18CR12	1901-0050	6	DIODE-SWITCHING 80V 200MA 2NS 00-7	28480	1901-0050
A18DS1	1990-0326	5	LED-VISIBLE	28480	1990-0326
A18F1	2110 0425	1	FUSE 2A 125V SLO-BLO .25X.27	71400	GMW 2A
A18MP1	4040-0752	2	EXTRACTOR-PC 8D YEL POLYC .062-BD-THKNS	28480	4040-0752
	1480-0073	9	PIN:DRIVE 0.250" LG	00000	0BD
A18Q1	1853-0020	2	TRANSISTOR PNP SI PD=300MW FT=150MHZ	28480	1853-0020
A18Q2†	1854-0039	4	TRANSISTOR NPN 2N3053 SI TO-5 PD=1W	04713	2N3053
	1200-0173	10	INSULATOR-XSTR TO-S .075-THK	28480	1200-0173
A18Q3	1884-0012		THYRISTOR-SCR JEDEC 2N3528	02735	2N3528
A18Q4	1854-0003	1	TRANSISTOR NPN SI TO-39 PD800MW	28480	1854-0003
A18Q5†	1853-0027	4	TRANSISTOR PNP SI TO-39 PD-1W FT=100MHZ	28480	1853-0027
	1200-0173		INSULATOR-XSTR TO-5 .075-THK	28480	1200-0173
A18Q6	1853-0050	4	TRANSISTCR PNP SI TO-18 PFD360MW	28480	18530050
A18Q7†	1853-0027		TRANSISTOR PFP SI TO-39 PD-1W FT=100MHZ	28480	1853-0027
	1200-0173		INSULATOR-XSTR TO-5 .075-THK	28480	1200-0173
A18Q8	1853-0050		TRANSISTOR PNP SI TOB1 PD=360MW	28480	1853-0050
A18Q9	1853-0050		TRANSISTOR PNP SI TO-18 PD=360MW	28480	1853-0050
A18Q10†	1853-0027		TRANSISTOR PNP SI TO-39 PD-1W FT=100MHZ	28480	1853-0027
	1200-0173		INSULATOR-XSTR TO-5 .075-THK	28480	1200-0173
A18Q11	1853-0050		TRANSISTOR PNP S1 TO-18 PD=360MW	28480	1853-0050

See introduction to this section for ordering information.

† SEE TABLES 7-1 AND 7-2, FOR BACKDATING.

Table. 6-3. Replaceable Parts

Reference Designation	HP Part Number	Qty	Description	Mfr Code	Mfr Part Number
418012†	1853-0027		TRANSISTOR PNP SI T70-39 PD=1W FT=100MHZ	28480	1853-0027
	1200-0173		INSULATOR-XSTR TO-5 .075-THK	28480	1200-0173
A18R1	0757-0317	3	RESISTOR 1.33K 1% .125W F TC=0+100	24546	C4-1/8 TO-1331-F
A18R2	2100-3123	4	RESISTOR-TRMR 500 10% C SIDE-ADJ I7-TURN	32997	3006P-1-501
A18R3	0757-0278		RESISTOR 1.78K 1% .125W F TC=0+100	24546	C4-1/8-TO-1781-F
A18R4	0683-0475	1	RESISTOR 4.7 5% .25W FC TC=400/+500	01121	C847G5
A18R5	0757-0420	4	RESISTOR 750 1% .125W F TC=0+100	24546	C4-1/8-TO-751-F
A18R6	06983440	3	RESISTOR 196 1% .125W F TC=0+100	16299	C4-1/8-TO-196R-F
A18R7	0757-0420		RESISTOR 750 1% .125W F T=0+100	24546	C4-1/8-TO-751-F
A18R8	0698-3161	1	RESISTOR 38.3K 1% .125W F TC=0+100	16299	C4-1/8-TO-3832-F
A18R9	0811-2813	3	RESISTOR 1 5% .75W PW TC=0+50	91637	RS1/2-T2-IRO-J
A18R10	0757-0316	2	RESISTOR 42.2 1% .125W F TC=0+100	24546	C4-1/8-TO-422Z-F
A18R11	0757-0317		RESISTOR 1.33K 1% .125W F TC=0+100	24546	C4-1/8-TO-1331-F
A18R12	0757-0397	5	RESISTOR 68.1 1% .125W F TC=0+100	24546	C4-1/8-TO-68R1-F
A18R13	0698-3447		RESISTOR 422 1% .125W F TC=0+100	16299	C4-1/8-TO-422R-F
A18R14	0757-0290	3	RESISTOR 6.19K 1% .125W F TC=0+100	19701	MF4C1/8-TO-6191-F
A18R15	0757-0442		RESISTOR 10K 1% .125W F TC=0+100	24546	C4-1/8-TO-1002-F
A18R16	0811-1553	1	RESISTOR .68 52 2% PW TC=0+800	75042	BWH2=11/16-J
A18R17	0698-3438		RESISTOR 147 1% .125W F TC=0+100	16299	C4-1/8-TO-147R-F
A18R18	0698-3438		RESISTOR 147 1% .125W F TC=0+100	16299	C4-1/7-TO-147R-F
A18R19†	0698-7246	2	RESISTOR 2.61K 2% .05W F TC=0+100	24546	C3-1/8-TO-2611G
A18TP1	0360-1514	43	TERMINAL-STUD SGL-PIN PRESS-MTG	28480	0360-1514
A18TP2	0360-1514		TERMINAL-STUD SGL-PIN PRESS-MTG	28480	0360-1514
A18TP3	0360-1514		TERMINAL-STUD SGL-PIN PRESS-MTG	28480	0360-1514
A18TP4	0360-1514		TERMINAL-STUD SGL-PIN PRESS-MTG	28480	0360-1514
A18TP5	0360-1514		TERMINAL-STUD SGL-PIN PRESS-MTG	28480	0360-1514
A18TP6	0360-1514		TERMINAL-STUD SGL-PIN PRESS-MTG	28480	0360-1514
A18U1	1826-0010	5	IC UA 723 V RGLTR	07263	723HM
A18VR1	1902-3005	2	DIODE-ZNR 2.43V 5% DO-7 PD=.4W TC=-.0762	04713	SZ 10939-5
A18VR2	1902-3094	1	DIODE-ZNR 5.11V 2% DO-7 PD=.4W TC=-.009%	04713	SZ 10939-99
A18VR3	1902-0049	2	DIODE-ZNR 6.19V 5% DO-7 PD=.4W TC=+.0222	04713	SZ 10939-122
A18XF1A	1251-2313	10	CONNECTOR-SOL CONT SKT .04-DIA	00779	3-332070-5
A18XF18	1251-2313		CONNECTOR-SGL CONT SKT .04-DIA	00779	3-332070-5
A19			NOT ASSIGNED		
A20	08640-60005	1	REGULATOR ASSY, +5.2V & +44.6V	28480	08640-60005
A20C1	0160-0153	1	CAPACITOR-FXD 1000PF +-10% 200VDC POLYE	56289	292P10292
A20C2	0180-0229		CAPACITOR-FXD 33UF +-10% 10VDC TA	56289	150D336X9010B2
A20C3	0180-0234	1	CAPACITOR-FXD; 33UF+-20% 75VDC TA-MET	56289	109D336X0075F2
A20C4	0180-0228	1	CAPACITOR-FXD 22UF+-10% 15VDC TA	56289	1500226X9015B2
A20C5	0160-0300	1	CAPACITOR-FXD 2700PF+-10% 200VDC POLYE	56289	292P27292
A20C6	0180-2208		CAPACITOR-FXD 220UF+-10% 10VDC TA	56289	1500227X901052
A20C7	0180-0229		CAPACITOR-FXD 33UF+-10% 10VOC TA	56289	1500336X9010B2
A20C8	0160-3094	6	CAPACITOR-FXD .1UF +-10% 100VDC CER	28480	0160-3094
A20CR1	1901-0159		DIODE-PWR RECT 400V 750MA DO-41	04713	SR1358-4
A20CR2	1901-0050		DIODE-SWITCHING 80V 200MA 2NS DO-7	28480	1901-0050
A20CR3	1901-0159		DIODE-PWR RECT 400V 750MA DO-41	04713	SR1358-4
A20CR4	1901-0050		DIODE-SWITCHING 80V 200MA 2NS DO-7	28480	1901-0050
A20CR5	1901-0050		DIODE-SWITCHING 80V 200MA 2NS DO-7	28480	1901-0050
A20DS1	1990-0326		LED-VISIBLE	28480	1990-0326
A20DS2	1990-0326		LED-VISIBLE	28480	1990-0326
A20F1	2110-0332	1	FUSE 3A 125V .25X.27	71400	GMW 3
A20F2	2110-0047	1	FUSE 1A 125V .25X.27	71400	GMW-1
A20MP1	4040-0748	2	EXTRACTOR-PC 80 BLK POLYC .062-80-THKNS	28480	4040-0748
	1480-0073		PIN:DRIVE 0.250" LG	00000	OBD
A20MP2	4040-0753	2	EXTRACTOR-7PC 80 GRN POLYC .062-BD-THKNS	28480	4040-0753
	1480-0073		PIN:DRIVE 0.250" LG	00000	OBD
A20Q1	1884-0012		THYRISTOR-SCR JEDEC 2N3528	02735	2N3528
A20Q2†	1854-0039		TRANSISTOR NRN 2N3053 S1 70-5 PD=1W	04713	2N3053
	1200-0173		INSULATOR-XSTR TO-5 .075-THK	28480	1200-0173
A20Q3†	1854 0022	1	TRANSISTOR NPN SI TO-39 PD=700MW	07263	S17843
	1200-0173		INSULATOR-XSTR ID-5 .075-THK	28480	1200-0173
A20Q4†	1853-0038	1	TRANSISTOR PNP SI TO-39 PD=1W FT=100MHZ	28480	1853=0038
	1200-0173		INSULATOR-XSTR ID-5 .075-THK	28480	1200-0173
A20Q5	1853-0020		TRANSISTOR PIP SI PD=300MW FT=150MHZ	28480	1853-0020
A20Q6	1854-0023	1	TRANSISTOR NPN SI TO-18 PD=360MW	28480	1854-0023
A20Q7	1884-0012		TIHYRISTOR-SCR JEDEC 2N3528	02735	2N3528
A20R1	0698-3160	2	RESISTOR 31.6K 1% .125W F TC=0+100	16299	C4-1/8-TO-3162-F
A20R2	0698-3438		RESISTOR 147 1% .125W F TC=0+100	16299	C4-1/8-TO-147R-F
A20R3	0757-0462	1	RESISTOR 75K 1%.125W F TC=0+100	24546	C4-1/8-TO-7502-F
A20R4	0698-0083	6	RESISTOR 1.96K 1% .125W F TC=0+100	16299	C4-1/8-TO-1961-F
A20R5	0698-3407	1	RESISTOR 1.96K 1% .5W F TC=0+100	24546	NA6

See introduction to this section for ordering information.

† SEE TABLES 7-1 AND 7-2, FOR BACKDATING.

Model 8640B

Table 6-3. Replaceable Parts

Reference Designation	HP Part Number	Qty	Description	Mfr Code	Mfr Part Number
A20R6	0698-3155	2	RESISTOR 4.64K 1% .125W F TC=0+-100	16299	C4-1/8-TO-4641-F
A20R7	0698-3449	1	RESISTOR 28.7K 1% .125W F TC=0+-100	16299	C4-1/8-TO-2872-F
A20R8	2100-3154	1	RESISTOR -TRMR 1K 10 % C SIDE-ADJ 17-TURN	32997	3006P-1-102
A20R9	0757-0438	16	RESISTOR 5.11K 1% .125W F TC=0+-100	24546	C4-1/8-TO-5111-F
A20R10	0811-2813		RESISTOR 1.5% .75W PW TC=0+-50	91637	RS1/2-T2-1R0-J
A20R11	0757-0158	1	RESISTOR 619 1% .5W F TC=0+ 100	19701	MF7C1/2-TO-619R-F
A20R12	0757-0397		RESISTOR 68.1 1% .125W F TC=0+-100	24546	C4-1/8-TO-68R1-F
A20R13	0698-3447		RESISTOR 422 1% .125W F TC=+-100	16299	C4-1/8-TO-422R-F
A20R14	0811-1666	3	RESISTOR 1 5% 2W PW TC=0+-800	75042	BWH2-IRO-J
A20R15	0757-0420		RESISTOR 750 1% .125W F TC=0+-100	24546	C4=1/8=TO-751-F
A20R16	2100 3123		RESISTOR-TRMR 500 10% C SIDE-ADJ 17-TURN	32997	3006P-I-501
A20R17	0698-3150	3	RESISTOR 2.37K 1% .125W F TC=0+-100	16299	C4-1/8-TO-2371-F
A20R18	0757-0416	4	RESISTOR 511 1% .125W F TC=0+-100	24546	C4-1/8-TO-511R-F
A20R19	0698-3440		RESISTOR 196 1% .125W F TC=0+-100	16299	C4-1/8-TO-196R-F
A20R20	0757-0420		RESISTOR 750 1% .125W F TC=0+-100	24546	C4-1/8-TO-751-F
A20R21	0811-2813		RESISTOR 1 5% .75W PW TC=0+-50	91637	RS1/2-T2-1R0-J
A20R22	0757-0316		RESISTOR 42.2 1% .125W F TC=0+-100	24546	C4-1/8-TO-42R2-F
A20R23	0757-0397		RESISTOR 68.1 1% .125 F TC=0+-100	24546	C4=1/8-TO-68R1-F
A20R24	0698-3447		RESISTOR 422 1% .125W F TC=0+-100	16299	C4-1/8-TO-422R=F
A20R25	0811-1666		RESISTOR 1 5% 2W PW TC=0+-800	75042	BWH2-IRO-J
A20R26	0811-1666		RESISTOR 1 5% 2W PW TC=+-800	75042	BWH2-IRO-J
A20R27†	0698-7246		RESISTOR 2.61K 2% .05W F TC=0+-100	24546	C3-1/8-TO-2611-G
A20TP1	0360-1514		TERMINAL-STUD SGL-PIN PRESS-HTG	28480	0360-1514
A20TP2	0360-1514		TERMINAL-STUD SGL-PIN PRESS-MTG	28480	0360-1514
A20TP3	0360-1514		TERMINAL-STUD SGL-PIN PRESS-MTG	28480	0360-1514
A20TP4	0360-1514		TERMINAL-STUD SGL-PIN PRESS-MTG	28480	0360-1514
A20TP5	0360-1514		TERMINAL-STUD SGL-PIN PRESS-MTG	28480	0360-1514
A20TP6	0360-1514		TERMINAL-STUD SGL-PIN PRESS-MTG	28480	0360-1514
A20TP7	0360-1514		TERMINAL-STUD SGL-PIN PRESS-MTG	28480	0360-1514
A20TP8	0360-1514		TERMINAL-STUD SGL-PIN PRESS-MTG	28480	0360-1514
A20TP9	0360-1514		TERMINAL-STUD SGL-FIN PRESS-MTG	28480	0360-1514
A20TP10	0360-1514		TERMINAL-STUD SGL-PIN PRESS-MTG	28480	0360-1514
A20U1	1826-0010		IC UA 723 V RGLTR	07263	723HM
A20U2	1826-0010		IC UA 723 V RGLTR	07263	723HM
A20VR1	1902-0025	2	DIODE-ZNR IOV 5% DO-7 PD=.4W TC=+.06%	04713	SZ 10939-L82
A20VR2	1902-3234	1	DIODE-ZNR 19.6V 5% DO-7 PD=-.4W TC=+.073%	04713	SZ 10939-266
A20VR3	1902-0244	1	DIODE-ZNR 30.1V 5% DO-15 PD=1W TC=+.075%	28480	1902-0244
A20VR4	1902-3345	1	DIODE -ZNR 51.1V 5% DO-7 PD=.4W TC=+.081%	04713	SZ 10939-386
A20VR5	1902-3005		DIODE -ZNR 2.43V 5% DO-7 PD=.4W TC-.076%	04713	SZ 10939-5
A20VR6	1902-0049		DIODE-ZNR 6.19V 5% DO-7 PD=.4W TC=+.022%	04713	SZ 10939-122
A20XF1A	1251-2313		CONNECTOR-SGL CONT SKT .04-DIA	00779	3-332070-5
A20XF18	1251-2313		CONNECTOR-SGL CONT SKT .04-DIA	00779	3-332070-5
A20XF2A	1251-2313		CONNECTOR-SGL CONT SKT .04-DIA	00779	3-332070-5
A20XF2B	1251-2313		CONNECTOR-SGL CONT SKT .04-DIA	00779	3-332070-5
A21			NOT ASSIGNED		
A22	08640-60006	1	REGULATOR ASSY, +20V & -20V	28480	08640-60006
A22C1	0180-0229		CAPACITOR-FXD 33UF+-10% 10VDC TA	56289	150D336X901082
A22C2	0160-3534		CAPACITOR -FXD 510PF+-5% 100WVDC MICA	28480	0160-3534
A22C3	0160-0158	2	CAPACITOR-FXD 5600PF+-10% 200WVDC POLYE	56289	292P56292
A22C4	0180-0058	2	CAPACITOR-FXD 50UF+-75-10% 25VDC AL	56289	30D506G025CC2
A22C5	0180-0229		CAPACITOR-FXD 33UF+-10% 10VDC TA	56289	150D336X901082
A22C6	0160-3534		CAPACITOR-FXD 510PF +-5% 100WVDC MICA	28480	0160-3534
A22C7	0160-0158		CAPACITOR-FXD 5600PF +-10% 200WVDC POLYE	56289	292P56292
A22C8	0180-0058		CAPACITOR-FXD 50UF+-75-10% 25VDC AL	56289	30D506G0250C2
A22CR1	1901-0025		DIODE-GEN PRP 100V 200MA DO-7	28480	1901-0025
A22CR2	1901-0159		DIODE-PWR RECT 400V 750MA DO-41	04713	SR1358-4
A22CR3	1901-0050		DIODE-SWITCHING 80V 200MA 2NS DO-7	28480	1901-0050
A22CR4	1901-0025		DIODE-GEN PRP 100V 200MA DO-7	28480	1901-0025
A22CR5	1901-0050		DIODE-SWITCHING 80V 200MA 2NS DO-7	28480	1901-0050
A22CR6	1901-0159		DIODE-PWR RECT 400V 750MA DO-41	04713	SR1358-4
A22DS1	1990-0326		LED-VISIBLE	28480	1990-0326
A22DS2	1990-0326		LED-VISIBLE	28480	1990-0326
A22F1	2110-0424	2	FUSE .75A 125V SLO-BLO .25X.27	71400	GMW 3/4A
A22F2	2110-0424		FUSE .75A 125V SLO-BLO .25X.27	71400	GMW 3/4A
A22MP1	4040-0748		EXTRACTOR-PC 80 BLK POLYC .062-BD-THKNS	28480	4040-0748
	1480-0073		PIN: DRIVE 0.250" LG	00000	OBD
A22MP2	4040-0754	1	EXTRACTOR-PC 80 BLU POLYC .062-B0"THKNS	28480	4040-0754
	1480-0073		PIN:DRIVE 0.250" LG	00000	080

See introduction to this section for ordering information

†SEE TABLES 7-1 AND 7-2, FOR BACKDATING

Model 8640B

Table 6-3. Replaceable Parts

Reference Designation	HP Part Number	Qty	Description	Mfr Code	Mfr Part Number
A22Q1	1884-0012		THYRISTOR-SCR JEDEC 2N3528	02735	2N3528
A22Q2†	1854-0039		TRANSISTOR NPN 2N3053 SI TO-5 PD=1W	04713	2N3053
	1200-0173		INSULATOR XSTR TO-5 .075-THK	28480	1200-0173
A22Q3†	1854-0039		TRANSISTOR NPN 2N3053 SI TO-5 PD=1W	04713	2N3053
	1200-0173		INSULATOR-XSTR TO-5 .075-THK	28480	1200-0173
A22Q4	1884-0012		THYRISTOR-SCR JEDEC 2N3528	02735	2N3528
A22R1	0698-0085	3	RESISTOR 2.61K 1% .125W F TC=0+-100	16299	C4-1/8-TO-2611-F
A22R2	0757-0280	8	RESISTOR 1K 1% .125W F TC=0+-100	24546	C4-1/8-TO-1001-F
A22R3	0698-3154	6	RESISTOR 4.22K 1% .125W F TC=00+-100	16299	C4-1/8-TO-4221-F
A22R4	0757-0401		RESISTOR 100 1% .125W F TC=0+-100	24546	C4-1/8-TO-101-F
A22R5	0698-0084	2	RESISTOR 2.15K 1% 125W F TC=0+-100	16299	C4-1/8-TO-2151-F
A22R6	0698-3154		RESISTOR 4.22K 1% 125W F TC=0+-100	16299	C4-1/8-TO-4221-F
A22R7	2100-3123		RESISTOR-TRMR 500 10% C SIDE-ADJ 17-TURN	32997	3006P-1-501
A22R8	0683-0275	2	RESISTOR 2.7 5% .25W FC TC=-400/+500	01121	CB27G5
A22R9	0698-3439	2	RESISTOR 178 1% .125W F TC=+-100	16299	C4-1/8-TO-178R-F
A22R10	0757-0397		RESISTOR 68.1 1% .125W F TC=0+-100	24546	C4-1/8-TO-68R1-F
A22R11	0698-3447		RESISTOR 422 1% .125W F TC=0+-100	16299	C4-1/8-TO-4221-F
A22R12	0811-1668	2	RESISTOR 1.5 5% 2W PW TC=0+-400	75042	BWH2-1R5-J
A22R13	0757-0278		RESISTOR 1.78K 1% .125W F TC=0+-100	24546	C4-1/8-TO-1781-F
A22R14	0698-0085		RESISTOR 2.61K 1% .125W F TC=0+-100	16299	C4-1/8-TO-2611-F
A22R15	0757-0280		RESISTOR 1K 1% .125W F TC=0+-100	24546	C4-1/8-TO-1001-F
A22R16	0698-3154		RESISTOR 4.22K 1% .125W F TC=0+-100	16299	C4-1/8-TO-4221-F
A22R17	0757-0401		RESISTOR 100 1% .125W F TC=0+-100	24546	C4-1/8-TO-101-F
A22R18	0757-0438		RESISTOR 5.11K 1% .125W F TC=0+-100	24546	C4-1/8-TO-5111-F
A22R19	2100-3123		RESISTOR-TRMR 500 10% C SIDE-ADJ 17-TURN	32997	3006P-1-501
A22R20	0698-0084		RESISTOR 2.15K 1% .125W F TC=0+-100	16299	C4-1/8-TO-2151-F
A22R21	0683-0275		RESISTOR 2.7 5% .25W FC TC=-400/+500	01121	CB27G5
A22R22	0698-3439		RESISTOR 178 1% .125W F TC=0+-100	16299	C4-1/8-TO-178R-F
A22R23	0757-0397		RESISTOR 68.1 1% .125W F TC=0+-100	24546	C4-1/8-TO-68R1-F
A22R24	0698-3447		RESISTOR 422 1% .125W F TC=0+-100	16299	C4-1/8-TO-4221-F
A22R25	0811-1668		RESISTOR 1.5 5% 2W PW TC=0+-400	75042	BWH2-1R-J
A22R26†	0698-7260	2	RESISTOR 10K 2% .05W F TC=0+-100	24546	C3-1/8-TO-1002-G
A22R27†	0698-7260		RESISTOR 10K 2% .05W F TC=0+-100	24546	C3-1/8-TO-1002-G
A22TP1	0360-1514		TERMINAL-STUD SGL-PIN PRESS-MTG	28480	0360-1514
A22TP2	0360-1514		TERMINAL-STUD SGL-PIN PRESS-MTG	28480	0360-1514
A22TP3	0360-1514		TERMINAL-STUD SGL-PIN PRESS-MTG	28480	0360-1514
A22TP4	0360-1514		TERMINAL-STUD SGL-PIN PRESS-MTG	28480	0360-1514
A22TP5	0360-1514		TERMINAL-STUD SGL-PIN PRESS-MTG	28480	0360-1514
A22TP6	0360-1514		TERMINAL-STUD SGL-PIN PRESS-MTG	28480	0360-1514
A22TP7	0360-1514		TERMINAL-STUD SGL-PIN PRESS-MTG	28480	0360-1514
A22TP8	0360-1514		TERMINAL-STUD SGL-PIN PRESS-MTG	28480	0360-1514
A22TP9	0360-1514		TERMINAL-STUD SGL-PIN PRESS-MTG	28480	0360-1514
A22TP10	0360-1514		TERMINAL-STUD SGL-PIN PRESS-MTG	28480	0360-1514
A22U1	1826-0010		IC UA 723 V RGLTR	07263	723HM
A22U2	1826-0010		IC UA 723 V RGLTR	07263	723HM
A22VR1	1902-0202	2	DIODE-ZNR 15V 5% DO-15 PD=1W TC=+.057%	28480	1902-0202
A22VR2	1902-3256	2	DIODE-ZNR 23.7V 5% DO-7 PD=.4W TC=+.076%	04713	SZ 10939-290
A22VR3	1902-0761	1	DIOOE-ZNR 1N821 6.2V 5% DO-7 PD.25W	04713	1N821
A22VR4	1902-0202		DIODE-ZNR 15V 5% DO-15 PD=1W TC=+.057%	28480	1902-0202
A22VR5	1902-3256		DIODE-ZNR 23.7V 5% DO-7 PD=.4W TC=+.076%	04713	SZ 10939-290
A22XF1A	1251-2313		CONNECTOR-SGL CONT SKT .04-DIA	00779	3-332070-5
A22XF1B	1251-2313		CONNECTOR-SGL CONT SKT .04-DIA	00779	3-332070-5
A22XF2A	1251-2313		CONNECTOR-SGL CONT SKT .04-DIA	00779	3-332070-5
A22XF2B	1251-2313		CONNECTOR-SGL CONT SKT .04-DIA	00779	3-332070-5
A23			NOT ASSIGNED		
A24	08640-60007	1	SERIES REGULATOR SOCKET ASSY	28480	08640-60007
A24MP1	0361-0009	1	RIVET, SEMITUBULAR OVAL HD 0.188" LG	00000	OBD
A24MP2	0403-0152	1	GUIDE-PC BD BLK POLYC .062-BD-THKNS 1-LG	28480	0403-0152
A24XQ1	1200-0041	4	SOCKET-XSTR 2-CONT TO-3-PKG	22753	PTS-1
A24XQ2	1200-0041		SOCKET-XSTR 2-CONT TO-3-PKG	22753	PTS-1
A24XQ3	1200-0041		SOCKET-XSTR 2-CONT TO-3-PKG	22753	PTS-1
A24XQ4	1200-0041		SOCKET-XSTR 2-CONT TO-3-PKG	22753	PTS-1
A25			NOT ASSIGNED		
A26	08640-60110	1	AM/AGC AND RF AMPLIFIER ASSEMBLY	28480	08640-60110
A26C1	0160-2049	12	CAPACITOR-FXD 5000PF +80-20% 500WVDC CER	28480	0160-2049
A26C2	0160-2049		CAPACITOR-FXD 5000PF +80-20% 500WVDC CER	28480	0160-2049
A26C3	0160-3219	3	CAPACITOR-FXD 100PF +-20% 500WVDC CER	28480	0160-3219
A26C4	0160-3219		CAPACITOR-FXD 100PF +-20% 500WVDC CER	28480	0160-3219
A26C5	0160-2049		CAPACITOR-FXD 5000PF +80-20% 500WVDC CER	28480	0160-2049

See introduction to this section for ordering information

†SEE TABLES 7-1 AND 7-2, FOR BACKDATING

Table 6-3. Replaceable Parts

Reference Designation	HP Part Number	Qty	Description	Mfr Code	Mfr Part Number
A26C6	0160-2049		CAPACITOR-FXD 5000PF +80=20% 500WVDC CER	28480	0160-2049
A26C7	0160-2049		CAPACITOR-FXD 5000PF +80=20% 500WVDC CER	28480	0160-2049
A26C8	0160-2049		CAPACITOR-FXD 5000PF +80=20% 500WVDC CER	28480	0160-2049
A26C9	0160-2049		CAPACITOR-FXD 5000PF +80=20% 500WVDC CER	28480	0160-2049
A26C10	0160-2049		CAPACITOR-FXD 5000PF +80=20% 500WVDC CER	28480	0160-2049
A26C11	0160-2049		CAPACITOR-FXD 5000PF +80=20% 500WVDC CER	28480	0160-2049
A26C12	0160-2049		CAPACITOR-FXD 5000PF +80=20% 500WVDC CER	28480	0160-2049
A26C13	0160-3961	1	CAPACITOR-FXD 56PF +=20% 500WVDC CER	28480	0160-3961
A26C14	0160-3219		CAPACITOR-FXD 100PF +=20% 500WVDC CER	28480	0160-3219
A26C15	0160-2049		CAPACITOR-FXD 5000PF +80=20% 500WVDC CER	28480	0160-2049
A26C16	0160-2049		CAPACITOR-FXD 5000PF +80=20% 500WVDC CER	28480	0160-2049
A26C17	0160-2152	2	CAPACITOR-FXD 10PF +-20% 500WVDC CER	28480	0160-2152
A26C18	0160-2152		CAPACITOR FXD 10PF +-20% 500WVDC CER	28480	0160-2152
A26J1	1250-0829	1	CONNECTOR-RF SMC M SGL HOLE FR	98291	50-045-4610
A26J2	1250-1423	1	CAP-COAX TO FIT F-BNC NON-SHTG 2.5 IN	28480	1250-1423
A26J3	1251-2613	3	CONNECTOR-SGL CONT SKT .033-DIA	00779	50864-3
A26L1	9100 1620	9	COIL-FXD MOLDED RF CHOKE 15UH 10%	24226	15/152
A26L2	9100-1621	1	COIL-FXD MOLDED RF CHOKE 1BUH 10%	24226	15/182
A26L3	9100-1620		COIL-FXD MOLDED RF CHOKE 15UH 10%	24226	15/152
A26L4	9100-1620		COIL-FXD MOLDED RF CHOKE 15UH 10%	24226	15/152
A26L5	9100-1620		COIL-FXD MOLDED RF CHOKE 15UH 10%	24226	15/152
A26L6	9100-1620		COIL-FXD MOLDED RF CHOKE 15UH 10%	24226	15/152
A26L7	9140-0178	1	COIL-FXD MOLDED RF CHOKE 12UH 10%	24226	15/122
A26L8	9100-1620		COIL-FXD MOLDED RF CHOKE 15UH 10%	24226	15/152
A26MP1	8160-0218	1	RFI STRIP NI ALY .782-W 4.7281L	28480	8160-0218
A26MP2	8160-0222	1	RFI STRIP NI ALY 2.027-W 3.053-L	28480	8160-0222
A26MP3	8160-0223	1	RFI STRIP NI ALY I-W 2.196-L	28480	8160-0223
A26MP4	8160 0224	1	GASKET:MOD BOTTOM COVER	28480	8160-0224
A26MP5	08640 00012	1	COVER, ACCESS	28480	08640-00012
A26MP6	08640-00018	1	COVER, FILTER MODULE	28480	08640-00018
A26MP7	08640-20262	1	COVER, TOP MODULE	28480	08640-20262
A26MP8	08640-20263	1	CASTING, MODULE	28480	08640-20263
A26MP9	08640-20264	1	COVER, BOTTOM MODULE	28480	08640-20264
A26MP10	08640-00013	1	COVER, FILTER AMPLIFIER	28480	08640-00013
A26MP11	0403-0153		GUIDE-PC BD GRN POLYC .062-BD-THKNS 1-LG	28480	0403-0153
A26MP12	0403-0156	1	GUIDE-PC BD YEL POLYC .062-BD-THKNS 1-LG	28480	0403-0156
A26MP13	0403 0157	1	GUIDE-PC BD GRN POLYC .062-BD-THKNS 1=L	28480	0403-0157
A26MP14	2200-0107	1	SCREW-MACH 4-40 .375-IN-LG PAN-HO-PO21	28480	2200-0107
A26MP15	0520-0127	1	SCREW-MACH 2-56 .188-IN-LG PAN-HOD=PO21	28480	0520-0127
A26MP16	2360-0201	1	SCREW-MACH 6-32 .5-IN-LG PAN-HC-PO2I	28480	2360-0201
A26MP17	2950-0078	1	NUT-HEX-DBL-CHAM 10-32-THD .067-THK	24931	HN100-11
A26MP18	2190-0124	1	WASHER-LK INTL T NO.-10 .195IN-ID	24931	LW101-30
A26MP19	2190-0012	1	WASHER-LK EXT T NO.-10 .195-IN-ID	78189	1810-00
A26MP20	2190-0014	1	WASHER-LK INTL T NO.-2 .089IN-ID	78189	1902-00
A26MP21	2190-0018	1	WASHER-LK HLCL NO.-6 .141-IN-ID	28480	2190-0018
A26MP22	3050-0228	1	WASHER-FL MTLC NO.-6 .156-IN-ID	80120	MS15795-305
A26MP23	2950-0035	1	NUT-HEX-DBL-CHAM 15/32=32-THD .078-THK	28480	2950-0035
A26MP24	2190-0068	1	WASHER-LK INTL T NO.-1/2 .505-IN-ID	78189	1924-02
A26MP25	0361-1071	1	RIVET:BLIND, DOME HD 0.125" DIA	11815	AAP-4-3
A26R1	0757- 0159	1	RESISTOR 1K 12 .5W F TC=0+-10	19701	MFTC/22-TO-1RO-F
A26U1	08640-67002	1	OUTPUT AMPLIFIER	28480	08640-67002
	08640-00002	2	HEAT SINK, TRANSISTOR	28480	08640-00002
A26U2	08640-67003	1	MODULATOR PREAMPLIFIER	28480	08640-67003
	08640 00002		HEAT SINK, TRANSISTOR	28480	08640-00002
A26W1	8120-1889	1	CABLE-COAX .086-00	28480	8120-1889
a26W2	8120-1887	1	CABLE-COAX 50 OHM .086-00	28480	8120-1887
A26W3	8120-1905	1	CABLE-COAX .086-00	28480	8120-1905
A26W4	8120-1892	1	CABLE-COAX .086-00	28480	8120-1892
A26A1	08640-60017	1	POWER AMPLIFIER 6 AGC DETECTOR ASSY	28480	08640-60017
A26A1C1	0160-3094		CAPACITOR-FXD .1UF +-10% 100WVCC CER	28480	0160-3094
A26A1C2			NOT ASSIGNED		
A26A1C3	0160-3094		CAPACITOR-FXD .1UF +-10% 100WVDC CER	28480	0160-3094
A26A1C4	0160-3094		CAPACITOR-FXD .1UF+-10% 100WVDC CER	28480	0160-3094
A26A1C5	0180-0197		CAPACITOR-FXD 2.2UF+-10% 20 WVDC TA	56289	1500225X9020A2
A26A1C6	0140-0198	1	CAPACITOR-FXD 200PF +-5% 300 WVDC MICA	72136	DMS15F201J0300WV1CR
A26A1C7	0160-2204	1	CAPACITOR-FXD 100PF +-5% 300WVDC MICA	93790	RDM15F101J3C
A26A1CR1	1910-0022	7	DIODE-GE 5V 60NA 3.5NS D0=7	28480	1910-0022
A26A1CR2	1901-0040		DIODE-SWITCHING 30V SOMA 2NS D0-35	28480	1901-0040
A26A1CR3	1901-0539	2	DIODE-SCHOTTKY	28480	1901-0539
A26A1CR4	1901:0040		DIODE-SWITCHING 30V SOMA 2NS D035	28480	1901-0040
A26A1L1	9100-1620		COIL-FXD MOLDED RF CHOKE 15UH 10%	24226	15/152
A26A2L2	9140-0180	1	COIL-FXD MOLDED RF CHOKE 2.7UH 10%	24226	15/271

See introduction to this section for ordering information

Table 6-3. Replaceable Parts

Reference Designation	HP Part Number	Qty	Description	Mfr Code	Mfr Part Number
A26AIMP1	0340-0044	3	TERMINAL-STUD DBL-TUR PRESS-MTG	83330	92-1500
A26A1Q1†	1853-0015	1	TRANSISTOR PNP SI PD=200MW FT=500MHZ	28480	1853-0015
A26A1Q2	1854-0071	7	TRANSISTOR NPN SI PD=300MW FT=200MHZ	28480	1854-0071
A26A1Q3	1854-0071		TRANSISTOR NPN SI PD=300MW FT=200MHZ	28480	1854-0071
A26A1Q4	1854-0071		TRANSISTOR NPN SI PD=300MW FT=200MHZ	28480	1854-0071
A26A1Q5	1853-0007	2	TRANSISTOR PNP 2N3251 SI TO-18 PD=360MW	04713	2N3251
A26A1Q6	1855-0049	1	TRANSISTOR-JFET DUAL N-CHAN D-MODE SI	28480	1855-0049
A26A1R1	0757-0441	2	RESISTOR 8.25K 1% 125W F TC=0+100	24546	C4-1/8-TO-8251=F
A26A1R2	0693-3443	1	RESISTOR 287 1%.125W F TC=0+100	16299	C4-1/8-TO-287R-F
A26A1R3	0698-3160		RESISTOR 31.6K 1% 125W F TC=0+100	16299	C4 1/8-TO-3162-F
A26A1R4	0698-3446	1	RESISTOR 383 1% 125W F TC=0+100	16299	C4-1/8-TO-383R-F
A26A1R5	0698-3445	1	RESISTOR 348 1% .125W F TC=0+100	16299	C4-1/8-TO-348R-F
A26A1R6	0757-0280		RESISTOR 1K 1% .125W F TC=0+100	24546	C4-1/8-TO-1001-F
A26A1R7	0683-1055	1	RESISTOR IM 57 .25W FC TC=-800/+900	01121	CB1055
A26A1R8	0698-3450	4	RESISTOR 42.2K 1% .125W F TC=0+100	16299	C4-1/8-TO-4222-F
A26A1R9	0757-0438		RESISTOR 5.11K 1% .125W F TC=0+100	24546	C4-1/8-TO-5111-F
A26A1R10	0757-0442		RESISTOR 10K 1% 125W F TC=0+100	24546	C4-1/8-TO-1002-F
A26A1R11	2100-2061	1	RESISTOR-TRMR 200 10% C TOP=ADJ 1-TURN	30983	ETSOW201
A26A1R12	0757-0401		RESISTOR 100 1% .125W F TC=0+100	24546	C4-1/8 TO-101-F
A26A1R13	0757-0401		RESISTOR 100 1%.125W F TC= 0+100	24546	C4-1/8=TO-101-F
A26A1R14	0698-3450		RESISTOR 42.2K 1% 125W F TC=0+100	16299	C4-1/8-TO-4222-F
A26A1R15	0757-0280		RESISTOR 1K 1%.125W F TC=0+100	24546	C4-1/8-TO-1001-F
A26A1R16†	0698-3438	4	RESISTOR 147 1% .125W F TC=0+100	16299	C4-1/8-TO-147R-F
A26A1R17†	0698-3132	3	RESISTOR 261 1% .125W F TC=0+100	16299	C4-1/8-TO-2610-F
A26A1TP1	0360-1514		TERMINAL-STUD SGL-PIN PRESS-MTG	28480	0360-1514
A26A1TP2	0340-0044		TERMINAL-STUD DBL-TUR PRESS-MTG	83330	92-1500
A26A1VR1	1902-0184	1	DIODE-2NR 16.2V 5% DO-7 PD-.4W TC=+.066%	04713	S2 10939-242
A26A1VR2	1902-0048	1	DIODE-2NR 6.81V 5% DO-7 P=D.4W TC=+.043%	04713	S2 10939-134
A26A1XA26U1A-E	1251-2613		CONNECTOR-SGL CONT SKT .033-DIA	00779	50864-3
A26A2	08640-60014	1	AM OFFSET : PULSE SWITCHING ASSY	28480	08640-60014
A26A2C1	0180-0291	10	CAPACITOR-FXD 1UF+-10% 35VDC TA	56289	150D105X9035A2
A26A2C2	0180-0291		CAPACITOR-FXD 1UF+-10% 35VDC TA	56289	150D105X9035A2
A26A2C3	0180-0291		CAPACITOR-FXD 1UF+-10% 35VDC TA	56289	150D105X9035A2
A26A2C4	0180-0291		CAPACITOR-FXD 1UF+-10% 35VDC TA	56289	150D105X9035A2
A26A2C5	0160-3450	2	CAPACITOR-FXD 5000PF +-10% 250VVDC CER	28480	0160-3450
A26A2C6	0160-0161	2	CAPACITOR-FXD .01UF+-10% 200VVDC POLYE	56289	292P10392
A26A2C7	0160-3450		CAPACITOR-FXD 5000PF +-105 250VVDC CER	28480	0160-3450
A26A2C8	0180-1743	1	CAPACITOR-FXD .1UF+10% 35VDC TA	56289	150D104X9035A2
A26A2C9			NOT ASSIGNED		
A26A2C10	0180-0100	1	CAPACITOR-FXD 4.7UF+-10% 35VDC TA	56289	150D475X9035B2
A26A2C11	0180-0116	1	CAPACITOR-FXD 6.8UF+-10% 35VDC TA	56289	150D685X9035B2
A6A2C12	0180-0291		CAPACITOR-FXD 1UF+-10% 35VDC TA	56289	150D105X9035A2
A26A2CR1	1910-0022		DIODE-GE SV 60NA 3.SNS DO7	28480	1910-0022
A26A2CR2	1901-0022	7	DIODE-STABISTOR 10V 250MA	28480	1901-0022
A26A2CR3	1901-0022		DIODE-STABISTOR 10V 250MA	28480	1901-0022
A26A2CR4	1901-0022		DIODE-STABISTOR 10V 250MA	28480	1901-0022
A26A2CR5	1901-0040		DIODE-SWITCHING 30V 50MA 2NS DD-35	28480	1901-0040
A26A2CR6	1901-0040		DIODE-SWITCHING 30V 50MA 2NS DD-35	28480	1901-0040
A26A2CR7	1901-0040		DIODE-SWITCHING 30V 50MA 2NS DD-35	28480	1901-0040
A26A2CR8			NOT ASSIGNED		
A26A2CR9†	1910-0016	4	DIODE-GE 60V 60NA 1US DO-7	28480	1910-0016
A26A2CR10	1901-0040		DIODE-SWITCHING 30V 50MA 2NS 00-35	28480	1901-0040
A26A2CR11	1901-0040		DIODE-SWITCHING 30V 50MA 2NS 00-35	28480	1901-0040
A26A2CR12	1901-0040		DIODE-SWITCHING 30V 50MA 2NS 00-35	28480	1901-0040
A26A2CR13	1910-0022		DIODE-GE 5V 60NA 3.5NS DO-7	28480	1910-0022
A26A2CR14	1910-0022		DIODE-GE 5V 60NA 3.SNS DO-7	28480	1910-0022
A26A2CR15	1910-0022		DIODE-GE 5V 60NA 3.SNS DO-7	28480	1910-0022
A26A2CR16	1910-0022		DIODE-GE 5V 60NA 3.SNS DO-7	28480	1910-0022
A26A2CR17	1901-0040		DIODE-SWITCHING 30V 50A 2NS DO-35	28480	1901-0040
A26A2CR18	1910-0022		DIODE-GE SV 60NA 3.5NS DO-7	28480	1910-0022
A26A2K1	0490-1080	2	RELAY-REED 1C .25A 150V CONT 5V-COIL	28480	0490-1080
A26A2L1	9100-1641	4	COIL-FXD MOLDED RF CHOKE 240UH 5%	24226	15/243
A26A2L2	9100-1641		COIL-FXD MOLDED RF CHOKE 240UH 5%	24226	15/243
A26A2L3	9100-1620		COIL-FXD MOLDED RF CHOKE 15UH 10%	24226	15/152
A26A2MP1	4040-0749	2	EXTRACTOR-PC BD BRN POLYC .062-BD=THKNS	28480	4040-0749
	1480-0073		PIN:DRIVE 0.250" LG	00000	080D
A26A2MP2	4040-0752		EXTRACTOR-PC BD YEL POLYC .062-BD=THKNS	28480	4040-0752
	1480-0073		PIN:DRIVE 0.250" LG	00000	08D

See introduction to this section for ordering information.

† SEE TABLES 7-1 AND 7-2, FOR BACKDATING.

Table 6-3. Replaceable Parts

Reference Designation	HP Part Number	Qty	Description	Mfr Code	Mfr Part Number
A26A2Q1	1854 0221	3	TRANSISTOR-DUAL NPN PO=750MW	28480	1854-0221
A26A2Q2†	1854-0404	4	TRANSISTOR NPN SI TO-18 PD-360MW	28480	1854-0404
A26A2Q3†	1853-0034	6	TRANSISTOR PNP SI TO-18 PD-360MW	28480	1853-0034
A26A2Q4†	1853-0034		TRANSISTOR PNP SI TO-18 PD-360MW	28480	1853-0034
A26A2Q5†	1854-0404		TRANSISTOR NPN SI TO-18 PD-360MW	28480	1854=0404
A26A2Q6†	1854-0404		TRANSISTOR NPN SI TO-18 PD-360MW	28480	1854-0404
A26A2Q7†	1854-0404		TRANSISTOR NPN SI TO-18 PD-360MW	28480	1854-0404
A26A2Q8†	1853-0034		TRANSISTOR PNP S1 TO-18 PD-360MW	28480	1853-0034
A26A2Q9†	1853-0034		TRANSISTOR PNP SI TO-18 PD-360MW	28480	1853-0034
A26A2R1	0757-0465		RESISTOR 100K 1% .125W F TC=0+-100	24546	C4-1/8-TO-1003-F
A26A2R2	0757-0440	4	RESISTOR 7.5K 1% .125W F TC=0+-100	24546	C4-1/8-TO-7501-F
A26A2R3	0757-0442		RESISTOR 10K 1% .125W F TC=0+-100	24546	C4-18-TO-1002-F
A26A2R4	0757-0442		RESISTOR 10K 1% .125W F TC= 0+ 100	24546	C4-1/8-TO-1002-F
A26A2R5	0698-3155		RESISTOR 4.64K 1% .125W F TC=0+-100	16299	C4-1/8-TO-4641-F
A26A2R6	0757-0442		RESISTOR 10K 1% .125W F TC=0+-100	24546	C4-1/8-TO-1002-F
A26A2R7	0757-0440		RESISTOR 7.5K 1% .125W F TC=0+-100	24546	C4-1/8-TO-7501-F
A26A2R8	0757-0422	1	RESISTOR 909 1% .125W F TC=0+-100	24546	C4-1/8-TO-909R-F
A26A2R9	0757-0421		RESISTOR 825 1%.125W F TC=0+-100	24546	C4-1/8-TO-825R-F
A26A2R10	0757-0439	1	RESISTOR 6.81K 1% .125W F TC=0+-100	24546	C4-1/8-TO-6811-F
A26A2R11	0757-0442		RESISTOR 10K 1% .125W F TC=0+-100	24546	C4-1/8-TO-1002-F
A26A2R12	0757-0442		RESISTOR 10K 1% .125W F TC=0+-100	24546	C4-1/8-TO-1002-F
A26A2R13	0757-0401		RESISTOR 100 1% .125W F TC=0+-100	24546	C4-1/8TO-101-F
A26A2R14	0757-0421		RESISTOR 825 1% .125W F TC=0+-100	24546	C4-1/8-TO-825R-F
A26A2R15	0757-0438		RESISTOR 5.11K 1% .125W F TC=0+-100	24546	C4-1/8-TO-5111-F
A26A2R16	0757-0280		RESISTOR 1K 1%.125W F TC=0+-100	24546	C4-1/8-TO-1001F
A26A2R17	0698-3440		RESISTOR 196 1% .125W F TC=0+-100	16299	C4-1/8-T-196R-F
A26A2R18	0757-0438		RESISTOR 5.11K 1%.125W F TC=0+-100	24546	C4-18-TO-5111-F
A26A2R19	2100-2413	1	RESISTOR-TRMR 200 10% C SIDE-ADJ 1-TURN	30983	ETSOX201
A26A2R20	0698-3157	1	RESISTOR 19.6K 1% .125W F TC=0+-100	16299	C4-1/8-TO-1962-F
A26A2R21	0757-0416		RESISTOR 511 1% .125W F TC=0+-100	24546	C4-1/8-TO-511R1-F
A26A2R22	0757-0394	2	RESISTOR 51.1 1% .125W F TC=0+-100	24546	C4-1/8-TO-511RL-F
A26A2R23	0698-3162	3	RESISTOR 46.4K 1% .125W F TC=0+-100	16299	C4-1/8-TO-4642-F
A26A2R24	0757-0438		RESISTOR 5.11K 1% .125W F TC=0+-100	24546	C4-1/8-TO-.5111-F
A26A2R25	0698-3162		RESISTOR 46.4K 1%.125W F TC=0+-100	16299	C4-1/8-TO-4642-F
A26A2R26	07s7-0438		RESISTOR 5.11K 1% .125W F TC=0+-100	24546	C4-1/8-TO-5111-F
A26A2R27	0698-0085		RESISTOR 2.61K 1% .125W F TC=0+-100	16299	C4-1/8-TO-2611-F
A26A2R28	0698-3162		RESISTOR 46.4K 1% .125W F TC=0+-100	16299	C4-1/8-TO-4642-F
A26A2R29	0698-3150		RESISTOR 2.37K 1% .125W F TC=0+-100	16299	C4-1/8-TO-2371-F
A26A2R30	0757-0438		RESISTOR 5.11K 1% .125W F TC=0+-100	24546	C4-1/8-TO-5111-F
A26A2R31	0698-3154		RESISTOR 4.22K 1% .125W F TC=0+-100	16299	C4-1/8-TO-0221-F
A26A2R32	0757-0438		RESISTOR 5.11K 1% .125W F TC=0+-100	24546	C4-1/8-TO-5111-F
A26A2R33	0698-3450		RESISTOR 42.2K 1% .125W F TC=0+-100	16299	C4-1/8-TO-4222-F
A26A2R34	0757-0289	2	RESISTOR 13.3K 1% .125W F TC=0+-100	19701	MF4C1/8-TO-1332-F
A26A2R35	0698-0082	1	RESISTOR 464 1% .125W F TC=0+-100	16299	C4-1/8-TO-4640-F
A26A2R36	0698-0083		RESISTOR 1.96K 1% .125W F TC=0+-100	16299	C4-1/8-TO-1961-F
A26A2R37	0757-0442		RESISTOR 10K 1% .125W F TC=0+-100	24546	C4-1/8-TO-1002-F
A26A2R38	0757-0438		RESISTOR 5.11K 1% .125W F TC=0+-100	24546	C4-1/8-TO-5111-F
A26A2R39	0698-0083		RESISTOR 1.96K 1% .125W F TC=0+-100	16299	C4-1/8-TO-1961-F
A26A2TP1	0360-1514		TERMINAL-STUD SGL-PIN PRESS-MTG	28480	0360-1514
A26A2TP2	0360-1514		TERMINAL-STUD SGL-PIN PRESS-MTG	28480	0360-1514
A26A2TP3	0360-1514		TERMINAL-STUD SGL-PIN PRESS-MTG	28480	0360-1514
A26A2TP4	0360-1514		TERMINAL-STUD SGL-PIN PRESS-YTG	28480	0360-1514
A26A2TP5	0360-1514		TERMINAL-STUD SGL-PIN PRESS-MTG	28480	0360-1514
A26A2TP6	0360-1514		TERMINAL-STUD SGL-PIN PRESS-MTG	28480	0360-1514
A26A2TP7	0360-1514		TERMINAL-STUD SGL-PIN PRESS-HTG	28480	0360-1514
A26A2TP8	0360-1514		TERMINAL-STUD SGL-PIN PRESS-MTG	28480	0360-1514
A26A2U1†	1826-0114	1	IC UA 710 CCMPARATOR	07263	710HM
A26A2U2†	1820-0448	1	IC:TTL QUAD 2-INPT NAND GATE	01295	SN5400N
A26A2U3	1820-0579	1	IC SN74 123 N MV	01295	SN74123N
A26A2VR1	1902-3139	1	OIODE-2NR 8.25V 5% DO-7 PD= .4W TC=+.053%	04713	SZ 10939-158
A26A3	08640-60016	1	MODULATOR ASSY	28480	08640-60016
A26A3C1	0160-3094		CAPACITOR-FXD .1UF+-10% 100WVDC CER	28480	0160-3094
A26A3C2	0160-3094		CAPACITOR-FXD .1UF +-10% 100WVDC CER	28480	0160-3094
A26A3C3	0150-0048	4	CAPACITOR-FXD .22PF +-5% 500WVDC TI DIOX	95121	TYPE QC
	1251-2229	8	CONNECTOR-SGL CONT SKT .033-DIA	00779	1-331677-3
A26A3C4	0150-0048		CAPACITOR-FXD .22PF -5% 500WVDC TI DIOX	95121	TYPE OC
	1251-2229		CONNECTOR-SGL CONT SKT .033-DIA	00779	1-331677-3
A2643C5	0150-0048		CAPACITOR-FXD .22PF +- 5% 500WVDC TI DIOX	95121	TYPE QC
	1251-2229		CONNECTOR-SGL CONT SKT .033-DIA	00779	1-331677-3
A26A3C6	0150-0048		CAPACITOR-FXD .22PF +-5% 500VDC TI DIOX	95121	TYPE QC
	1251-2229		CONNECTOR-SGL CONT SKT .033-DIA	00779	1-331677-3
A26A3CR1	08640-60163	1	MATCHED DIODE SET (INCLUDES A26A3CR2 THRU 8, NSR)	28480	08640-60163
A26A3CR2			NSR, PART OF A26A3CR1.		
A26A3CR3			NSR, PART OF A26A3CR1.		
A26A3CR4			NSR, PART OF A26A3CR1.		

See introduction to this section for ordering information.

† SEE TABLES 7-1 AND 7-2, FOR BACKDATING

Table 6-3. Replaceable Parts

Reference Designation	HP Part Number	Qty	Description	Mfr Code	Mfr Part Number
A26A3CR5			NSR, PART OF A26A3CR1.		
A26A3CR6			NSR. PART OF A26A3CR1.		
A26A3CR7			NSR. PART OF A26A3CR1.		
A26A3CR8			NSR. PART OF A26A3CR1.		
A26A3J1	1250-1425	1	CONNECTOR-RF SMC MSGLE HOLE RR	2K497	700177-1
A26A3J2	1251-2194		CONNECTOR-SGL CONT SKT .021-DIA	00779	3-331272 0
A26A3L1	9100-1620		COIL-FXD FOLDED RF CHOKE 15UH 10%	24226	15/152
A26A312	9140-0112	1	COIL-FXD MOLDED RF CHOKE 4.7UH 10%	24226	15/471
A26A3R1	0698-7229	1	RESISTOR 511 2% .05W F TC=0+-100	24546	C3-1/8-TO-511R-G
A26A3R2	0698-3132		RESISTOR 261 1% .125W F TC=0+-100	16299	C4-1/8-TO-2610-F
A26A3R3	0698-3132		RESISTOR 261 1% .125M F TC=0+-100	16299	C4-1/8-TO-2610-F
A26A3R4	0757-0416		RESISTOR 511 1% .125W F TC=0+-100	24546	C4-1/8-TO-511R-F
A26A3R5	0757-0416		RESISTOR 511 1.125W F TC=0+-100	24546	C4-1/8-TO-511R-F
A26A3T1	08640 80003	2	BALUN ASSY	28480	08640-80003
	1251-2194	9	CONNECTOR-SGL CONT SKT .021-DIA	00779	3-331272-0
A26A3T2	08640-80003		BALUN ASSY	28480	08640-80003
	1251-2194		CONNECTOR-SGL CONT SKT .021-DIA	00779	3-331272-0
A26A3XA26U2A-E	1251-2613		CONNECTOR-SGL CONT SKT .033-0IA	00779	50864-3
A26A4	08640-60015	1	AGC AMPLIFIER ASSY	28480	08640-60015
A26A4C1	0180-0291		CAPACITOR-FXC 1UF+-10% 35VDC TA	56289	150D105X9035A2
A26A4C2	0180-0291		CAPACITOR-FXD 1UF+-10% 35VDC TA	56289	150D105X9035A2
A26A4C3	0180-0291		CAPACITOR-FXC 1UF+-10% 35VDC TA	56289	150D105X9035A2
A26A4C4	0160-2307	2	CAPACITOR-FXD 47PF +-5% 300WVDC MICA	28480	0160-2307
A26A4C5	0160-2307		CAPACITOR-FXD 47PF +-5% 300WVDC MICA	28480	0160-2307
A26A4C6	0160-3458	1	CAPACITOR-FXD 5000PF +-10% 250WVDC CER	28480	0160-3458
A26A4C7	0180-0291		CAPACITOR-FXD 1UF4+-10% 35VDC TA	56289	150D105X9035A2
A26A4C8	0180-0197		CAPACITOR-FXD 2.2UF=-10% 200WVDC TA	56289	1500225X9020A2
A26A4C9	0160-0161		CAPACITOR-FXD .01UF +-10%: 200WVDC POLYE	56289	292P10392
4A6A4C10†	0160-0302	1	CAPACITOR-FXD .018UF +-10% 200WVDC POLYE	56289	292P18392
A26A4C11	0160-0159	1	CAPACITOR-FXD 6800PF +-10% 200VDC POLYE	56289	292P68292
A26A4C12	0140-0191	1	CAPACITOR-FXD 56PF +-5: 300WVDC MICA	72136	DM15E560J0300WV1CR
A26A4C13	0180-0291		CAPACITOR-FXD 1UF+-10% 35VDC TA	56289	1500D105X9035A2
A26A4C14†	0160-0576	1	CAPACITOR-FXD .1UF 4=20 SO 5VDC CER	26654	2130BR050R104M
A26A4C15	0160-0297	1	CAPACITOR-FXD 1200PF +-10% 200WVDC POLYE	56289	292P12292
A26A4C16	0160-3534		CAPACITOR-FXD 510PF +-5% 100WVDC MICA	28480	0160-3534
A26A4C17	0160-3459	1	CAPACITOR-FXD .02UF +-20% 100WVDC CER	28480	0160-3459
A26A4CR1	1901-0040		DIODE-SWITCHING 30V 50MA 2NS DO-35	28480	1901-0040
A26A4CR2	1901-0040		DIODE-SWITCHING 30V 50MA 2NS DO-35	28480	1901-0040
A26A4CR3	1901-0040		DIODE-SWITCHING 30V 50MA 2NS DO-35	28480	1901-0040
A26A4CR4	1901-0040		DIODE-SWITCHING 30V 50MA 2NS DO-35	28480	1901-0040
A26A4CR5	1901-0022		DIODE-STABISTOR 10V 250MA	28480	1901-0022
A26A4CR6	1901-0022		DIODE-STABISTOR 10V 250MA	28480	1901-0022
A26A4CR7	1910-0016		DIODE-GE 60V 60NA 1US DO-7	28480	1910-0016
A26A4CRB	1910-0016		DIODE-GE 60V 60NA 1US DO-7	28480	1910-0016
A26A4CR9	1910-0016		DIODE-GE 60V 60NA 1US DO-7	28480	1910-0016
A26A4CR10	1901-0022		DIODE-STABISTOR 10V 250MA	28480	1901-0022
A26A4CR11	1901-0040		DIODE-SWITCHING 30V 50MA 2NS DO35	28480	1901-0040
A26A4CR12	1901-0022		DIODE-STABISTOR 10V 250MA	28480	1901-0022
A26A4CR13	1901-0539		DIODE-SCHOTTKY	28480	1901-0539
A26A4CR14	1901-0518	1	DIODE-SCHOTTKY	28480	1901-0518
A26A4CR15	1901-0040		DIODE-SWITCHING 30V SOMA 2NS DO-35	28480	1901-0040
A26A4K1	0490-1080		RELAY-REED IC .25A 150V CONT 5VCOIL	28480	0490-1080
A26A4L1	9100-1641		COIL-FXD MOLDED RF CHOKE 240UH 5%	24226	15/243
A26A4L2	9100-1641		COIL-FXD MOLDED RF CHOKE 240UH 5%	24226	15/243
A26A4MP1	4040-0749		EXTRACTOR-PC BD BRN POLYC .062-BD-THKNS	28480	4040=0749
	1480-0073		PIN:DRIVE 0.250" LG	00000	OBD
A26A4NP2	4040-0753		EXTRACTOR-PC BD GRN POLYC .062-BD-THKNS	28480	4040-0753
	1480-0073		PIN:DRIVE 0.250" LG	00000	OBD
A26A4Q1	1854-0221		TRANSISTOR-DUAL NPN PO=750MW	28480	1854-0221
A26A4Q2	1854-0071		TRANSISTOR NPN SI PD=300MW FT=200MHZ	28480	1854-0071
A26A4Q3	1853-0007		TRANSISTOR PKP 2N3251 SI TO718 PO=360MW	04713	2N3251
A26A4Q4	1854-0221		TRANSISTOR-DUAL NPN PD=750MW	28480	1854-0221
A26A4Q5	1853-0034		TRANSISTOR PNP SI TO-18 POD360MW	28480	1853-0034
A26A4Q6	1854-0071		TRANSISTOR NPN SI PO=300MW FT=200MHZ	28480	1854-0071
A26A4Q7	1853-0034		TRANSISTOR PNP SI TD-18 PD=360MW	28480	1853-0034
A26A4Q8	1854-0071		TRANSISTOR NPN SI PD0300MW FT=200MHZ	28480	1854-0071
A26A4Q9	1854-0071		TRANSISTOR NPN SI PO=300MW FT=200MHZ	28480	1854-0071
A26A4R1	2100-2521	2	RESISTOR-TRMR 2K 10% C SIDE-ADJ 1-TURN	30983	ET50X202
A26A4R2	2100-2521		RESISTOR-TRMR 2K 10% C SIDE-ADJ 1 TURN	30983	ET50X202
A26A4R3	0757-0401		RESISTOR 100 1T .125W F TC=0+-100	24546	C4-1/8-TO-101-F
A26A4R4	0757-0290		RESISTOR 6.19K 1% .125W F TC=0+-100	19701	MF4C1/8-TO-6191-F
A26A4R5	0757-0280		RESISTOR 1K 1% .125W F TC0+-100	24546	C4-1/8-TO-1001-F

See introduction to this section for ordering information.

Table 6-3. Replaceable Parts

Reference Designation	HP Part Number	Qty	Description	Mfr Code	Mfr Part Number
A26A4R6	0757-0440		RESISTOR 7.5K 1% .125W F TC=0+-100	24546	C4-1/8-TO-7501-F
A26A4R7	0691-3154		RESISTOR 4.22K 1% 125W F TC=0+-100	16299	C4-1/8 TO-4221-F
A26A4R8	0757-0440		RESISTOR 7.5K 1% .125M F TC=0+-100	24546	C4-1/8-TO-7501-F
A26A4R9	0757-0465		RESISTOR 100K 1% .125W F TC=0+-100	24546	C4-1/8-TO-1003-F
A26A4R10	0757-0442		RESISTOR 10K 1%.125W F TC=0+-100	24546	C4-1/8-TO-1002-F
A26A4R11	0757-0042		RESISTOR 10K 1% .125W F TC=0+ 100	24546	C4-1/8-TO-1002-F
A26A4R12	2100-2514	1	RESISTOR-TRMR 20K 10% C SIDE-ACJ 1-TURN	30983	ET50W203
A26A4R13†	0698-3156	2	RESISTOR 14.7K 1% 125W F TC=0+-100	16299	C4-1/8-TO-1472-F
A26A4R14	0757-0442		RESISTOR 10K 1% .125W F TC=0+-100	24546	C4-1/8-TO-1002-F
A26A4R15†	0698-3156		RESISTOR 14.7K 1% 125W F TC=0+-100	16299	C4-1/8-TO-1472-F
A26A4R16	0757-0438		RESISTOR 5.11K 1% .125W F TC=0+-100	24546	C4-1/8-TO-5111-F
A26A4R17	0698-3453	1	RESISTOR 196K 1%.125 F TC=0+-100	16299	C4-1/8-TO-1963-F
A26A4R18	0698-3153	2	RESISTOR 3.83K 1% 125W F TC=0+-100	16299	C4-1/8-TO-3831-F
A26A4R19	0757-0464	1	RESISTOR 90.9K 1% .125W F TC=0+-100	24546	C4-1/8-TO-9092-F
A26A4R20	0757-0438		RESISTOR 5.11K 1% .125W F TC=0+-100	24546	C4-1/8-TO-5111-F
A26A4R21	0757-0438		RESISTOR 5.11K 1% .125W F TC=0+-100	24546	C4-1/8-TO-5111-F
A26A4R22†	0757-0278		RESISTOR 1.78K 1% .125W F TC=0+-100	24546	C4-1/8-TO-1781-F
A26A4R23	0757-0290		RESISTOR 6.19K 1% .125W F TC=0+-100	19701	MF4C1/8-TO-6191=F
A26A4R24	0698-0083		RESISTOR 1.96K 1% .125W F TC=0+-100	16299	C4-1/8-TO-1961-F
A26A4R25	0757-0458	2	RESISTOR 51.1K 1% .125W F TC=0+-100	24546	C4-1/8-TO-5112-F
A26A4R26	0757-0438		RESISTOR 5.11K 1% .125W F TC=0+-100	24546	C4-1/8-TO-5111-F
A26A4R27	0757-0458		RESISTOR 51.1K 1% .125W F TC=0+-100	24546	C4-1/8-TO-5112-F
A26A4R28	0757-043S		RESISTOR 5.11K 1% .125W F TC=0+-100	24546	C4-1/8-TO-5111-F
A26A4R29	0757-0442		RESISTOR 10K 1% .125W F TC=0+-100	24546	C4-1/8-TO-1002-F
A26A4R30	0757-0441		RESISTOR 8.25K 1% .125W F TC=0+-100	24546	C4-1/8-TO-8251-F
A26ASR31	0757-0317		RESISTOR 1.33K 1% .125W F TC=0+-100	24546	C4-1/8-TO-1331-F
A26A4R32	0757-0442		RESISTOR 10K 1% .125W F TC=0+-100	24546	C4-1/8-TO-1002-F
A26A4R33	0757-0438		RESISTOR 5.11K 1% .125W F TC=0+-100	24546	C4-1/8-TO-5111-F
A26A4R34	0757-0465		RESISTOR 100k1% .125W F TC=0+-100	24546	C4-1/8-TO-1003-F
A26A4R35	0757-0465		RESISTOR 100K 1% .125W F TC=0+-100	24546	C4-1/8-TO-1003--F
A46A4R36	0698 0083		RESISTOR 1.96K 1% .125W F TC=0+-100	16299	C4-1/8-TO-1961-F
A26A4R37	0757-0394		RESISTOR 51.1 15 .125W F TC=0+-100	24546	C4-1/8-TO-5111-F
A26A4R38	0691-3153		RESISTOR 3.83K 1% .125W F TC=0+-100	16299	C4-1/8-TO-3831-F
A26A4R39	0757-0280		RESISTOR 1K 1% .125W F TC=0+-100	24546	C4-1/8-TO-1001-F
A26A4R40	0698-3437	1	RESISTOR 133 1% .125W F TC= 0+-100	16299	C4-1/8-TO-133R-F
A26A4R41†	0757-0465	6	RESISTOR 100K 1% .125W F TC=0+-100	24546	C4-1/8-TO-1003-F
A26A4R42†	0757-0465		RESISTOR 100K 1% .125WF TC=0=100	24546	C4-1/8-TO-1003-F
A26A4R43	0698-0083		RESISTOR 1.96K 1% .125W F TC=0+-100	16299	C4-1/8-TO-1961-F
A26ARR44	0698-3450		RESISTOR 42.2K 1% .125W F TC=0+-100	16299	C4-1/8-TO-4222-F
A26A4R45	0757-0442		RESISTOR 10K 1% .125W F TC=0+-100	24546	C4-1/8-TO-1002-F
A26A4R46	0698-3154		RESISTOR 4.22K 1% .125W F TC=0+-100	16299	C4-1/8-TO-4221-F
A26A4R47	0757-0401		RESISTOR 10K 1% 125W F TC=0+-100	24546	C4-1/8-TO-1001-F
A26A4R48	0757-0289		RESISTOR 13.3K 1% .125W F TC=0+-100	19701	MF4C1/8-TO-1332-F
A26A4R49	0698-3150		RESISTOR 2.37K 1% .125W F TC=0+-100	16299	C4-1/8-TO-2371-F
A26A4R50	0698-3451	1	RESISTOR 133K 1% .125W F TC=0+-100	16299	C4-1/8-TO-1333-F
A26A4R51			NOT ASSIGNED		
A26A4RS2	0757-0280		RESISTOR 1K 1% .125W F TC=0+-100	24546	C4-1/8-TO-1001-F
A26A4R53	0757-0278		RESISTOR 1.78K 1% .125W F TC=0+-100	24546	C4-1/8-TO-1781=F
A26A4R54†	0757-0421	3	RESISTOR 825 1% .125W F TC7=0+-100	24546	C4-1/8-TO-7825R-F
A26A451	3101-0973	1	SWITCH-SL DPDT-NS MINTR .5A 125VAC/DC PC	79727	GF126=0018
A26A4TP1	0360-1514		TERMINAL-STUO SGL-PIN PRESS-MTG	28480	0360-1514
A26A4TP2	0360-1514		TERMINAL-STUC SGL-PIN PRESS-MTG	28480	0360-1514
A26A4TP3	0360-1514		TERMINAL-STUO SGL-PIN PRESS-MTG	28480	0360-1514
A26A4TP4	0360-1514		TERMINAL-STUD SGL-PIN PRESS-MTG	28480	0360-1514
A26A4TP5	0360-1514		TERMINAL-STUD SGL-PIN PRESS-MTG	28480	0360-1514
A26A4TP6	0360-1514		TERMINAL-STUD SGL-PIN PRESS-MTG	28480	0360-1514
A26A4TP7	0360-1514		TERMINAL-STUC SGL-PIN PRESS-MTG	28480	0360-1514
A26A4TP8	0360-1514		TERMINAL-STUD SGL-FIN PRESS-MTG	28480	0360-1514
A26A4U1	1826-0092	1	IC MC 1458 DP AMP	28480	1826-0092
A26A4U2	1826-0026	1	IC LM 311 CCMPARATOR	27014	LM311H
A26A4U3	1820-0328	1	IC SN74 02 N GATE	01295	SN7402M
A26A4U4	1820-0471	1	IC SN74 06 N INV	01295	SN7406N
A26A4VR1	1902-0025		DIODE-ZNR 10V 5% DD-7 PD=.4W TC=+- .06%	04713	SZ 10939-182
A26A4VR2	1902-3203	1	DIODE-ZNR 14.7V 5% DD-7 PO-.4W TC=+- .057%	04713	SZ 10939-230
A26A5	08640-60009	1	RISER ASSY	28480	08640=60009
A26A5XA26A6	1251-3231	1	CDNNECTOR; PC EDGE; 15-CONT; WIRE WRAP	28480	1251-3231
A26A6	08640-60011	1	AM MOTHER BOARD ASSY	28480	08640-60011
A26A6XA2662	1251-1886	1 -	CONNECTOR-PC EDGE 15-CONT/ROW 2-ROWS	71785	252-15-30-340

See introduction to this section for ordering information.

† SEE TABLES 7-1 AND 7-2, FOR BACKDATING.

Table. 6-3. Replaceable Parts

Reference Designation	HP Part Number	Qty	Description	Mfr Code	Mfr Part Number
			CHASSIS PARTS		
C1	0180-2530	2	CAPACITOR-FXD 3900UF+75-10% 50VDC AL	56289	36D392GO50SV2B
C2	0180-2530		CAPACITOR-FXD 3900UF+75-10% 50VDC AL	56289	36D392GO50AC2B
C3	0180-2334	1	CAPACITOR-FXD 3900UF+75-10% 75VDC AL	56289	36D392F075BB2B
C4	0180-2277	2	CAPACITOR-FXD 8200UF+75-10% 25VDC AL	56289	36D822G025AC2A
C5	0180-2277		CAPACITOR-FXD 8200UF+75-10% 25VDC AL	56289	36D822G025AC2A
C6†	0160-4048	1	CAPACITOR FXD .022UF +20% 250WVAC MET	C0633	PME 271 M 522
DS1	2140-0244	1	LAMP-GLOW A1H 135/105VDC 1MA T-2-BULB	08806	A1H
F1	2110-0002	1	FUSE 2A 250V 1.25X.25 UL IEC (FOR 100/120V OPERATION)	71400	AGC-2
F1	2110-0094	1	FUSE 1.25A 250V 1.25X.25 UL IEC (FOR 220/240V OPERATION)	75915	3121.25
J1	08640-60103	1	CONNECTOR, TYPE N RF OUTPUT(SEE FIG 6-2)	28480	08640-60103
M1†	1120-0539	1	METER	28480	1120-0539
	0360 0053	1	TERMINAL-LUG-SLDR 10 SCR .204/.094 ID	83330	1410-10
MP1	0340-0486	1	INSULATOR-COVER TO- 3.33-THK	0011J	A22-2003
MP2	0370-2376	1	KNOB:BAR, SKIRTED 0.250" OIA SHAFT FREQUENCY RANGE	28480	0370-2376
MP3	0370-2378	1	KNOB:RNO, CONCENTRIC 0.125" DIA SHAFT (FM)	28480	0370-2378
MP4	0370-2379	1	KNOB:RND, CONCENTRIC 0.125" DIA SHAFT (AM)	28480	0370-2379
MP5	0370-2380	1	KNOB:BAR BASE 0.250" DIA SHAFT PEAK DEVIATION RANGE	28480	0370-2380
MP6	0370-2381	1	KNOB:BAR BASE 0.250" DIA SHAFT (OPT 001) AUD OUT 3V	28480	0370-2381
MP7	0370-2382	1	KNOB:RND, SKIRTED 0.250" DIA SHAFT (STANDARD) MCD FREQ	28480	0370-2382
MP8	0370-2383	1	KNOB-BASE-PTR .375 IN JGK MGP-DECAL FINE TUNE	28480	0370-2383
MP9†	0370-2387	1	KNOB:RND BASE 0.250" DIA SHAFT (STANDARD) AUD OUT 1V	28480	0370-2387
MP10	0370-2445	1	KNOB-BASE-RND .5 IN JGK MGP-DECAL OUTPUT LEVEL VERNIER	28480	0370-2445
MP11	0370-2446	1	KNOB-CONC-RND .5 IN JGK MGP-DECAL (OPT 001) MOO FREQ VERNIER	28480	0370-2446
MP12	0403-0026		GLIDE:NYLCN	28480	0403-0026
MP13	0590-1011	1	NUT-KNRLD-R 15/32-32-THD .12-THK .61-WD	28480	0590-1011
MP14	1400-0825	1	CLIP-LED MTG 0.201-IN ID; 0.330-IN 00	28480	1400-0825
MP15	1540*0034	1	CONTAINER-PLASTIC POLYSTY 1.062LG	28480	1540-0034
MP16	08640-20163	1	CLAMP, CAP	28480	08640-20163
MP17	3150-0203	1	FILTER-CARTRIDGE EXP AL 3.6-W 6-L	28480	3150-0203
MP18	5001-0135	1	WRENCH:COMB	28480	5001-0135
MP19	5060-0109	1	CGNNECTOR:15 CONTACTS	28480	5060-0109
MP20†	08640-00063	1	PANEL, FRONT	28480	08640-00063
MP21	08640-00021	1	SHIELD, FM AMPLIFIER	28480	08640-00021
MP22†	08640-40044	1	SCREW, METER ZERO	28480	08640-40044
MP23	08640-00022	1	SUPPORT, PC BOARD	28480	08640-00022
MP24	08640-00030	1	SUPPORT, MODULE	28480	08640-00030
MP25	08640-00058	1	INSULATOR COUNTER	28480	08640-00058
MP26	08640-00059	1	INSULATOR, CONNECTOR	28480	08640-00059
MP27	08640-20078	1	EXTRUSION, TOP	28480	08640-20078
MP28	08640-20079	1	EXTRUSION, BOTTOM	28480	08640-20079
MP29	1500-0433	1	COUPLER, SHAFT	99934	A-201-34A
MP30	08640-20204	1	FRONT CASTING, 5H FM	28480	08640-20204
MP31	08640-40016	1	CLAMP, METER	28480	08640-40016
MP32	08640-40026	1	KNOB/DIAL ASSY, OUTPUT LEVEL	28480	08640-40026
MP33	08640 40046	1	LENS, DIFFUSING	28480	08640-40046
MP34	08640-40047	1	KNOB/DIAL ASSY(OPT 001)MOD FREQ RANGE	28480	08640-40047
MP35	08640-40049	1	WINDOW, FRONT	28480	08640-40049
MP36	08640 20296	1	DIAL GEAR ASSY,(OPT 001) MOD FRED. VERNIER SKIRT	28480	08640-20296
MP37	08640-40055	1	KNOB & SKIRT, FREQUENCY TUNE	28480	08640-40055
MP38	08640-40056	1	SKIRT, OUTPUT LEVEL CURSOR	28480	08640-40056
MP39	08640-60036	1	BOARD ASSY, EXTENDER	28480	08640-60036
MP40	5040-0388	1	BUTTON, X10%	28480	5040-0388
MP41	5040-0389	1	BUTTON, K/MHZ	28480	5040-0389
MP42	5040-0390	1	BUTTON, VOLTS	28480	5040-0390
MP43	3030-0007	2	SCREW,SET 4-40(FRONT PANEL KNOBS)	28480	3030-0007
MP44	0624-0267	1	SCREWTPG 6=20 .625-IN-LG PAN-HD	28480	0624-0267
MP45	0626-0002	1	SCREW-TPG 6-20 .5-IN-LG PAN-HD SLT-REC	28480	0626-0002
MP46	1200-0043	1	INSULATOR-XSTR TO-3 02-THK	76530	322047

See introduction to this section for ordering information.

† SEE TABLES 7-1 AND 7-2, FOR BACKDATING

Table. 6-3. Replaceable Parts

Reference Designation	HP Part Number	Qty	Description	Mfr Code	Mfr Part Number
MP47	3160-0217	1	FAN BLADE .76-THK 3-OD .079-ID	28480	3160-0217
MP48	5040-0170	1	GUIDE:PLUG-IN PC BOARD	28480	5040-0170
MP49	3030-0007		SCREW-SET 4-40 .125-IN-LG SMALL CUP-PT	28480	3030-0007
MP50	5040-0447	1	FCOT:REAR(LONG)	28480	5040-0447
MP51			NOT ASSIGNED		
MP52	08620-20016	1	HEAT SINK, TRANSISTOR	28480	08620-20016
MP53	08640-00014	1	DECK, TRANSFORMER	28480	08640-00014
MP54	08640-00015	1	DECK, MAIN	28480	08640-00015
MP55†	08640-00065	1	SHIELD, ATTENUATOR	28480	08640-00065
MP56†	0400-0005	1	GROMMET:RUBBER FOR 0.562" DIA HOLE	73734	#1660
MP57	0403-0026	2	GLIDE: NYLON	28480	0403-0026
MP58	8160-0238	1	GASKET MATL,RFI, RING((MAIN TUNE)	28480	8160-0238
MP59†	8160-0239	1	GASKET MATL, RFI,RING(FINE TUNE)	28480	8160-0239
MP60	08640-20228	1	COLLAR,RETAINING(FINE TUNE SHAFT)	28480	08640-20228
MP61	08640-40052	1	LEVER SLIDE SWITCH	28480	08640-40052
MP62	08640-20057	1	INSULATOR, TRANSISTOR SCREW	28480	08640-20057
MP63-			NOT ASSIGNED		
MP67			NOT ASSIGNED		
MP68	08640-00072	1	BRACKET, FAN, TOP	28480	08640-00072
MP69	08640-00073	1	BRACKET, FAN, ROTTOM	28480	08640-00073
MP70	08640 00074	1	FOAM STRIP, 80TTCM COVER	28480	08640-00074
MP71-			NOT ASSIGNED		
MP79			NOT ASSIGNED		
MP80	1430-0761	1	GEAR SPUR	28480	1430-0761
MP81	08640-00037	1	INSULATOR, SOTTOM COVER	28480	08640-00037
MP82			NOT ASSIGNED		
MP83	3030-0343	1	SCREW SET 1/4-28 .25-IN-LG HALF DOG-PT	28480	3030-0343
P1	1251-3294	1	CONNECTOR. PC EDGE, 10-CONT, SOLDER EYE	05574	3VH10/1JN12
P2	1251-0198	1	CONNECTOR-PC EDGE 6-CONT/ROW 2-ROWS	71785	251-06-30-261
	5040-0327	1	HOOD:CONNECTCR	28480	5040-0327
P3	1251-1249	1	PL2G KEY-PRINTED CIRCUIT CONN	90949	143-953
	1251-1313	1	CONTACT-CONN FEM CRP	9D949	220-502
	1251-3054	1	CONNECTOR STRIP:9 OPEN POSITION	74868	221-68
Q1	1854-0063	4	TRANSISTOR NPN 2N3055 SI TO-3 PD=115W	28480	1854-0063
Q2	1854-0063		TRANSISTOR NPN 2N3055 SI TO-3 PD=115W	28480	1854-0063
Q3	1854-0250	1	TRANSISTOR NPN SI TO-3 PD=115W	28480	1854-0250
Q4	1854-0063		TRANSISTOR NPN 2N3055 SI TO-3 PD=115W	28480	1854-0063
Q5	1854-0063		TRANSISTOR NPN 2N3055 SI T7-3 PO=115W	28480	1854-0063
R1†	2100-3344	1	R:VAR DUAL 2K/20K OHM 20/10 LIN	28480	2100-3344
R2			(PART OF R1)		
R3†	0698-3449	1	RESISTOR 28.7K 1% 125W F TC=0+-100	16299	C4-1/8-TO-2872-F
S1	3101-1395	1	SWITCH-P8 DPCT DB ALTNNG 10.5A 250VAC	00501	53-67280-121/A1H
S2	3101-0070	1	SWITCH-SL DPOT-NS MINTR .5A 125VAC/DC	79727	GF-126-0000
S3	3101-0163	1	SWITCH-TGL SUBWIN SPOT NS 5A 115VAC	09353	2-11
T1	9100-3350	1	TRANSFCRPER: POWER	28480	9100-3350
W1	8120-1378	1	CABLE ASSY 3-COND 18-AWG	28480	8120-1378
W2	8120-1886	1	CABLE-COAX .086-00	28480	8120-1886
W3	8120-1890	1	CABLE ASSY-COAX 5.253-LG	28480	8120-1890
W4	08640-60127	1	CABLE ASSY, FM INPUT/OUTPUT	28480	08640-60127
W5	8120-1928	2	CABLE-SHLD 2-COND 24-AWG	28480	8120-1928
W6	8120-1881	1	CABLE-COAX .086-OD	28480	8120-1881
W7	8120-1882	1	CABLE-COAX .086-00	28480	8120-1882
W8	8120-0580	1	CABLE ASSY, COAX	28480	8120-0580
W9	8120-1928	1	CABLE-SHLD 2-COND 24-ANG	28480	8120-1928
W10	8120-0581	1	CABLE ASSY, COAX	28480	8120-0581
W11	8120-1885	1	CABLE-COAX	28480	8120=1885
W12	08640-60128	1	CABLE ASSY, FM INPUT/OUTPUT	28480	08640-60128
W13	08640-60126	1	CABLE ASSEMBLY	28480	08640-60126
W14	8120-1891	1	CABLE-COAX .086-OD	28480	8120-1891
W15	08640-60124	1	CABLE ASSY, EXTERNAL TIME BASE	28480	08640-60124
W16	8120- 1525	1	CABLE-SHLD 6-COND 22-AWG	28480	8120-1525

See introduction to this section for ordering information.

†SEE TABLES 7-1 AND 7-2, FOR BACKDATING.

Table. 6-3. Replaceable Parts

Reference Designation	HP Part Number	Qty	Description	Mfr Code	Mfr Part Number
1	08640-20075	2	FRAME ASSY, 5 X 16	28480	08640-20075
2	08640-20204	3	FRONT CASTING. 5H FM	28480	08640-20204
3	08640-00026	1	PANEL, REAR	28480	08640-00026
4	5000-8705	2	COVER, SIDE:PERFORATED	28480	5000-8705
5	5000-8707	2	COVER:FRONT SIDE	28480	5000-8707
6	00860-00003	1	COVER, TOP	28480	08640-00003
7	08640-00004	1	COVER, BOTTOM	28480	08640-00004
8	5060-0222	2	HANDLE ASSY:SH SIDE	28480	5060-0222
9	5060-8737	2	HANDLE:RETAINER	28480	5060- 8737
10	5060-0767	5	FOOT ASSY:FM	28480	5060-0767
11	1490-0030	1	TILT STAND	28480	1490-0030
12	5000-0051	2	TRIM STRIP	28480	5000-0051
13	5060-8740	1	KIT:RACK MOUNT, SH(MINT GRAY)	28480	5060-8740
14	5000-8711	1	COVER:FRONT SIDE PLATE(MINT GRAY)	28480	5000-8711

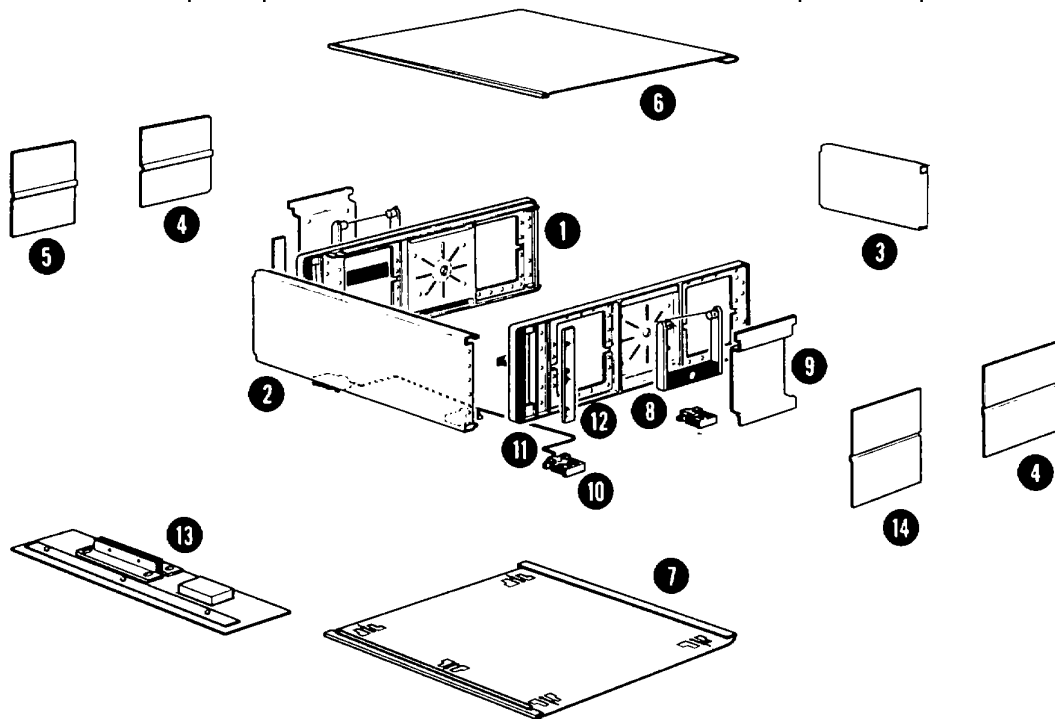
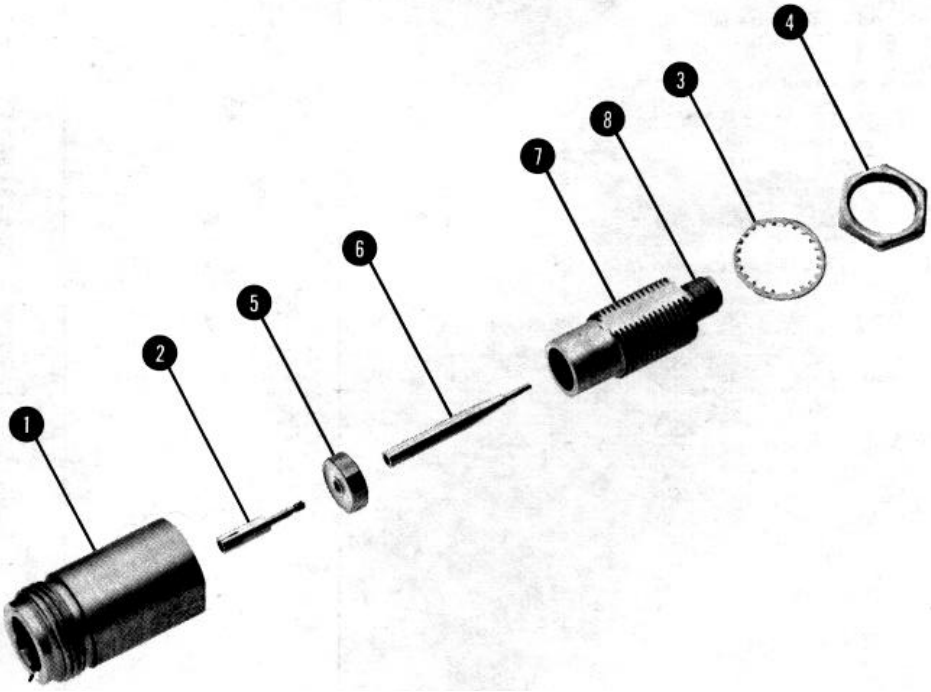


Figure 6-1. Cabinet Parts

See introduction to this section for ordering information.

Table 6-3. Replaceable Parts

Reference Designation	HP Part Number	Qty	Description	Mfr Code	Mfr Part Number
J1MP1	1250-0914	1	CONNECTGR-RF AP-CN FEM UNMTD	90949	131-150
J1MP2	1250-0915	1	CONTACT, RF CONNECTOR. FEF,ALE CENTER	71785	131-149
J1MP3	2190-0104	1	WASHER-LK INTL T NG.-7/16 .439-N-110	78189	1922-04
J1MP4	2950 0132	1	NUT-HEX-DBL-CHAM 7/16-28-THO .094-THK	73734	76500NP
J1MP5	5040-0306	1	INSULATOR	28480	5040-0306
J1MP6	08555-20093	2	CENTER CONDUCTOR	28480	08555-20093
J1MP7	08555 20094	1	BCDY, BULKHEAD	28480	08555-20094
J1MP8	08761-2027	1	INSULATOR	28480	08761-2027



The diagram shows an exploded view of a Type N connector assembly. Callout 1 points to the main connector body. Callout 2 points to a contact pin. Callout 3 points to a center conductor. Callout 4 points to a hex nut. Callout 5 points to a washer. Callout 6 points to a bulkhead body. Callout 7 points to a center conductor. Callout 8 points to a contact pin. The components are arranged in a sequence from left to right, showing how they fit together.

Figure 6-2. Type N Connector

See introduction to this section for ordering information

Table 6-4. Code List of Manufacturers

Mfr Code	Manufacturer Name	Address	Zip Code
C0633	AKTIEBSLAGET RIFA	BROMMA SWEDEN	16111
GB027	NEOHM	ENGLAND	
GM005	DEUTSCHE VITROHM GMBH AND CO.	GERMANY	
01453	BARBER & COLEMAN LTD	ENGLAND	
00000	U.S.A. COMMON	ANY SUPPLIER OF THE U.S.A.	
004A	ARIZONA COIL INC	NOGALES AZ	85621
0011J	JERMYN INDUSTRIES		
0018A	AR TECH PACKAGING CORP	LOWELL MA	01854
00287	C E M CO INC	DANIELSON CT	06239
0050I	ILLUMINATED PRODUCTS INC	ANAHEIM CA	92803
00779	AMP INC	HARRISBURG PA	17105
00865	STETTNER-TRUSH INC	CAZENOVIA NY	13035
01121	ALLEN-BRADLEY CO	MILWAUKEE WI	53212
01295	TEXAS INSTR INC SEMICOND CMPNT DIV	DALLAS TX	75231
02735	RCA CORP SOLID STATE DIV	SOMMERVILLE NJ	08876
03886	KDI PYROFILM CORP	WHIPPANY NJ	07981
04713	MOTOROLA SEMICONDUCTOR PRODUCTS	PHOENIX AZ	85008
05574	VIKING INDUSTRIES INC	CHATSWORTH CA	91311
07263	FAIRCHILD SEMICONDCTCOR DIV	MOUNTAIN VIEW CA	94040
07700	TECHNICAL WIRE PRODUCTS INC	CRANFORD NJ	07016
08876	GE CO MINIATURE LAMP PROD DEPT	CLEVELAND OH	44112
09353	C AND K COMPONENTS INC	WATERTOWN MA	42172
11815	CHERRY RIVET DIV TOWNSEND CO	SANTA ANA CA	92707
12697	CLAROSTAT MFG CO INC	DOVER NH	03820
16299	CORNING GL WK ELEC CMPNT DIV	RALEIGH NC	27604
19701	MEPCO/ELECTRA CORP	MINERAL WELLS TX	76067
2K497	CABLEWAVE SYSTEMS INC	NORTH HAVEN CT	06473
22753	U I D ELECTRONICS CORP	HOLLYWOOD FL	33021
24226	GOWANDA ELECTRONICS CORP	GOWANDA NY	14070
24546	CORNING GLASS WORKS (BRADFORD)	BRADFORD PA	16701
24931	SPECIALTY CONNECTOR CO INC	INDIANAPOLIS IN	46227
26365	GRIES REPRODUCER CORP	NEW ROCHELLE NY	10802
26654	VARADYNE INC	SANTA MONICA CA	90403
26742	METHODE ELECTRONICS INC	CHICAGO IL	61656
27014	NATIONAL SEMICONDUCTOR CORP	SANTA CLARA CA	95n51
27264	MOLEX PRODUCTS CO	DOWNERS GROVE IL	60515
28480	HEWLETT-PACKARO CO CORPORATE HQ	PALO ALTO CA	94304
28520	HEYMAN MFG CO	KENILWORTH NJ	07033
3H768	SIEMENS CORP	ISELIN NJ	08830
30983	MEPCO/ELECTRA CORP	SAN DIEGO CA	92121
32997	BOURNS INC TRIMPOT PROD DIV	RIVERSIDE CA	92507
56289	SPRAGUE ELECTRIC CO	NORTH ADAMS MA	01247
71400	BUSSMAN MFG DIV Of MCGRAW-EDISON CO	ST LOUIS MO	63017
71450	CTS CORP	ELKHART IN	46514
71744	CHICAGO MINIATURE/DRAKE	CHICAGO IL	60640
71785	TRW ELEK COMPONENTS CINCH DIV	ELK GROVE VILLAGE IL	60007
72136	ELECTRO MOTIVE MFG CO INC	WILLIMANTIC CT	06226
73734	FEDERAL SCREW PRODUCTS CO	CHICAGO IL	60618
73899	J F D ELECTRONICS CORP	BROOKLYN NY	11219
74868	RF PRODUCTS DIV. OF AMPHENOL-BORG ELECT. CORP.	DANBURY, CONN	06810
75042	TRW INC PHILADELPHIA DIV	PHILADELPHIA PA	19108
75915	LITTELFUSE INC	DES PLAINES IL	60016
76530	TRW ELEK CMPNT CINCH-MONADNOCK DIV	CITY OF INDUSTRY CA	91747
76854	OAK IND INC SW DIV	CRYSTAL LAKE IL	60014
78189	ILLINOIS TOOL WORKS INC SHAKEPROOF	ELGIN	60126
79727	C-W INDUSTRIES	WARMINSTER PA	18974
80120	SCHNITZER ALLOY PRODUCTS CO	ELIZABETH NJ	07206
80486	ALL STAR PROD INC	DEFIANCE OH	43512
83330	SMITH HERMAN INC	BROOKLYN	11207
86928	SEASTROM MFG CO	GLENDALE CA	91201
9D949	AMPHENOL SALES DIV OF BUNKER-RAMD	HAZELWOOD MO	63042
91637	DALE ELECTRONICS INC	COLUMBUS NE	68601
95121	QUALITY COMPONENTS INC	ST MARYS PA	15857
9587	WECKESSER CO INC	CHICAGO IL	60641
97464	INDUSTRIAL RETAINING RING CO	IRVINGTON NJ	07111
98291	SEAELECTRO CORP	MAMARONECK NY	10544
99934	RENBRANDT INC.	BOSTON MA	

**SECTION VII
MANUAL CHANGES**

7-1. INTRODUCTION

7-2. This section contains manual change instructions for adapting this manual to cover HP Model 8640B Signal Generators that have serial number prefixes which are different than the first prefix listed on the title page. This section also contains instrument modification suggestions and procedures that are recommended to improve the performance and reliability of your generator.

7-3. MANUAL CHANGES

7-4. To adapt this manual to your instrument, refer to Table 7-1 and make all of the manual

changes listed opposite your instrument's serial number or prefix. The manual changes are listed in serial number sequence and should be made in the sequence listed. For example, Change A should be made after Change B; Change B should be made after Change C, etc. Table 7-2 is a summary of changes by component.

7-5. If your instrument's serial number or prefix is not listed on the title page of this manual or in Table 7-1, it may be documented in a yellow MANUAL CHANGES supplement. For additional important information about serial number coverage, refer to INSTRUMENTS COVERED BY MANUAL in Section I.

Table 7-1. Manual Changes By Serial Number

Serial Prefix or No.	Make Manual Changes	Serial Prefix or No.	Make Manual Changes
1229A00120 and below	N, M, L, K, J, I, H, G, F, E D, C, B, A	1405A 1406A	1-9 1-10
1229A00121 to 00140	N, M, L, K, J, I, H, G, F, E, D, C, B	1416A 1419A	1-11 1-12- and 13
1244A	N, M, L, K, J, I, H, G, F, E, D, C	1423A 1429A	1-14 1-15
1245A	N, M, L, K, J, I, H, G, F, E, D	1431A 1435A, 1438A	1-12, 14-16 1-12, 14-17
1246A	N, M, L, K, J, I, H, G, F, E	1440A 1442A	1-12, 14-18 1-12, 14-19
1249A 1251A	N, M, L, K, J, I, H, G, F, N, M, L, K, J, I, H, G	1501A 1506A, 1513A	1-12, 14-20 1-12, 14-21
1303A 1310A	N, M, L, K, J, I, H, N, M, L, K, J, I	1515A 1519A	1-12, 14-22 1-12, 14-23
1313A 1316A00385 to 00464	N, M, L, K, J N, M, L, K	1520A 1524A, 1526A	1-12, 14-24 1-12, 14-25
1316A00465 and above 1322A	N, M, L N, M	1530A 1532A	1-12, 14-26 1-12, 14-27
1323A 1324A	N ERRATA	1534A 1535A	1-12, 14-28 1-12, 14-29
1327A 1332A, 1333A	1 1, 2	1538A 1542A, 1543A	1-12, 14-30 1-12, 14-31
1339A 1342A	1-3 1-4	1544A 1545A	1-32 1-33
1345A 1350A	1-5 1-6	1552A	1-34
1401A 1404A	1-7 1-8		

Table 7-2. Summary of Changes by Component (1 of 8)

Change	A1	A2	A3	A4	A5	A6	A7	A8	A9	A10
A					Insulators for Q5-9 and Q11		Insulators for Q3 and Q6			
B		VR3*, 4*						A2C11,12 19,27* A2L1* A2R46*, 56 57* A4R4*		
C		MP15, 16 R2 A4 (entire sub assy)								
D										
E		A4R2					J1* A7 Assy Part No.	L1-3 A1 (entire sub-assy)	C6-8' W1*	A10A1MP10 12*
F								A1C7*		
G					C9*			A2C12* A2L2* A2R48*		
H										
I										
J								A1 Part No. A1C7, CR1-6, MP2-4, A1Q3,R1-3, A2C27-30		
K										A2C5*
L										
M							R13 21-28, 37,40, 45 54, 57-65			
N								A4R3*, 5, A4XDS1A, B		A2R6-8, 12-14, 18-20

*Instrument modification recommended, see paragraph 7-7.

Table 7-2. Summary of Changes by Component (2 of 8)

Change	A11	A12	A13	A14	A17	A18	A20	A22	A26	No Prefix
	Insulators for Q1, Q2, Q4, and Q5					Insulators for Q2, Q5, Q7, Q10, and Q12	Insulators for Q2-4	Insulators for Q2 and Q3		
A	(STD) and Q3 and Q6 (Opt. 001)									
B	R7*, 14* (STD) R36*, 39* (Opt. 001)								A1Q1*	R4,5
C										
D			R1						A1R16,17 A4C10* A4R54*	MP59* MP60*
E									A2Q2-9 A2U1,2	MP56 MP57
F		CR5-8 CR13-16 R4, R6								
G										M1* MP20*,22*
H									A2CR9* A4R13*, 15* 22*,41*,42*	
I									A4C14*	
J						R19*	R27*	R26*, R27*		
K										
L										R1* MP6*, 9*
M	R34, 35 (Opt. 001)									
N										C6

*Instrument modification recommended, see paragraph 7-7.

Table 7-2. Summary of Changes by Component (3 of 8)

Change	A1	A2	A3	A4	A5	A6	A7	A8	A9	A10
1								A4R2*	C8*	A2C53, A2R55 56, 58
2										
3								A4R1*		A2C54*
4									R2	ALC17,24, 32, 52, 67
5								MP41		
6								A1C8		
7								A2C31*		
8		VR2								
9			A4 (entire assy)					A2U14		
10								A1CR4,5 A1C5,7		
11										
12										A1C17,52
13										
14			A4R1,R6							

*Instrument modification recommended, see paragraph 7-7.

Table 7-2. Summary of Changes by Component (4 of 8)

Change	A11	A12	A13	A14	A17	A18	A20	A22	A26	No Prefix
1										
2									A4VR2*	
3						Q2*	Q2*	Q2, 3*		
4	Q1* R2, R6 (Opt. 001)	Q1* R1*, R2* VR1*	R6						A2CR5,6 A2K1	
5									A4S1	
6									A2CR9*,13* A4CR7-9	
7	MP17* (Opt.001)								A4R5, 28	
8										
9	R2 (Opt. 001)						Q4*			
10										
11						U1*	U1*, 2* U1*, 2* VR6	R6, R28		W16*
12										
13									A1 (entire sub-assy)	
14										

*Instrument modification recommended, see paragraph 7-7.

Table 7-2. Summary of Changes by Component (5 of 8)

Change	A1	A2	A3	A4	A5	A6	A7	A8	A9	A10
15										
16										
17										A2U14
18			Assy Part No., MP8, 13, MP17-20							
19				C1,3,4,CR1 R3,5,23,24				A2 Assy Part No.		A2U5
20			A4C3,4 A4L1,2							
21										
22										
23										
24								A2C27-30 A2R28,58 A2 Assy Part No.		
25									entire assy	
26										
27										
28								MP47, 48		A2R58

*Instrument modification recommended, see paragraph 7-7.

Table 7-2. Summary of Changes by Component (6 of 8)

Change	A11	A12	A13	A14	A17	A18	A20	A22	A26	No Prefix
15				MP1*						F1*
16										S2
17										
18										MP8
19		C6,CR21 Q1, R1, 2 VR1							A4R34,35	
20	C24 (Opt. 001)								A4CR7-9, 13 A4R2	MP72
21										MP75
22									A2CR5	
23									A3R1	
24										
25										
26									A2R35, 40 A4Q8*, A4R44, 54*	
27	C24 (Opt. 001)								A4R2 A4R5	
28										

*Instrument modification recommended, see paragraph 7-7.

Table 7-2. Summary of Changes by Component (7 of 8)

Change	A1	A2	A3	A4	A5	A6	A7	A8	A9	A10
29	A1R5, 6		Q1							
30								A2C27 A2U6 A2U25		
31										A2U1
32		MP14								
33								A3R10, 17 A3U10, 11, A3U13-17		A2R38, 39
34							R28, 45	A2C4,12,32 A2R17,19, A2R58-62		

*Instrument modification recommended, see paragraph 7-7.

Table 7-2. Summary of Changes by Component (8 of 8)

Change	A11	A12	A13	A14	A17	A18	A20	A22	A26	No Prefix
29										
30										
31										
32	R28 (Opt.001)									
33									A1R21, 22	
34										

*Instrument modification recommended, see paragraph 7-7.

MANUAL CHANGES

7-6. MANUAL CHANGE INSTRUCTIONS**CHANGE A**

Page 6-9, Table 6-3:

Delete 1200-0173, INSULATOR, XSTR from A5Q5-9 and Q11.

Pages 6-10 and 6-11, Table 6-3:

Delete 1200-0173, INSULATOR. XSTR from A7Q3 and Q6.

Page 6-24, Table 6-3:

Delete 1200-0173, INSULATOR, XSTR from AllQ1, Q2, Q4, and Q5.

Page 6-25, Table 6-3:

Delete 1200-0173, INSULATOR, XSTR from AllQ3 and Q6.

Page 6-29 and 6-30, Table 6-3:

Delete 1200-0173, INSULATOR, XSTR from A18Q2, Q5, Q7, Q10, Q12 and A20Q2-4.

Page 6-32, Table 6-3:

Delete 1200-0173, INSULATOR, XSTR from A22Q2 and Q3.

CHANGE B**NOTE**

See paragraphs 7-9 through 7-19 for recommended instrument modifications.

Page 5-11, paragraph 5-40:

Change third sentence to read, "...for 750 ± 10 mVrms at A11TP5

740 _____ 760 mVrms."

Pages 6-13 through 6-15, Table 6-3:

Change A8A2C11 and C12 to 0160-3466; CAPACITOR; FXD; 100 PF $\pm 10\%$.

Change A8A2C19 to 0140-0193; CAPACITOR; FXD; 82 PF $\pm 5\%$.

Delete A8A2C27.

Delete A8A2L1.

Add A8A2R46 0757-0416; RESISTOR; FXD; 511 OHM 1% .05W.

Change A8A2R56 to 0811-1665; RESISTOR; FXD; 0.82 OHM 5% 2W.

Delete A8A2R57.

Page 6-17, Table 6-3:

Add A8A4R4 0698-3628 RESISTOR; FXD; 220 OHM 5% 2W.

Page 6-34, Table 6-3:

Change A26A1Q1 to 1853-0007.

Page 6-39, Table 6-3:

Add R4 0757-0458 RESISTOR; FXD; 51.1K 1/8W F.

Add R5 0757-0462 RESISTOR; FXD; 75.0K 1/8W F.

Delete MP55.

MANUAL CHANGES

CHANGE B (cont'd)

Service Sheet 9 (schematic):

- Change AIIIR7 to 1470 ohms and AIIIR14 to 3160 ohms.
- Add R4, 51.1K between 958 and 956 wires.
- Add R5, 75K between 956 and 0 wires.

NOTE

If R1, AUDIO OUTPUT LEVEL vernier is changed, remove R4 and R5 from instrument.

Change voltage at AIITP3 and TP5 to 2.1 ± 0.1 V p-p.

Service Sheet 9A (schematic):

- Change AIIIR36 to 4640 ohms and AIIIR39 to 3160 ohms.
- Add R4, 51.1K between 958 and 956 wires.
- Add R5, 75K between 956 and 0 wires.

NOTE

If R1, AUDIO OUTPUT LEVEL vernier is changed, remove R4 and R5 from instrument.

Change voltage at AI11TP3 and TP5 to 2.1 ± 0.1 V p-p.

Service Sheet 13 (schematic):

- Change A26AIQ1 to 1853-0007.

Service Sheet 17 (schematic):

- Add A2VR3 and A2VR4 (in series with each other) in parallel with A2R3.

NOTE

See paragraph 7-9. A2VR3 and VR4 should be removed from instrument.

Service Sheet 20 (schematic):

- Replace appropriate portion of schematic with attached partial schematic (Figure 7-1).
- Change A8A2C11 to 100 pF.
- Delete A8A2C27.
- Delete A8A2L1 and in its place add A8A2R46, 511 ohms.
- Add A8A4R4 between pin 2 and A8A4DS2.
- Change A8A2R56 to 0.82 ohm. Change +4.5V at other side of A8A4DS2 to +20V.

MANUAL CHANGES

CHANGE B (cont'd)

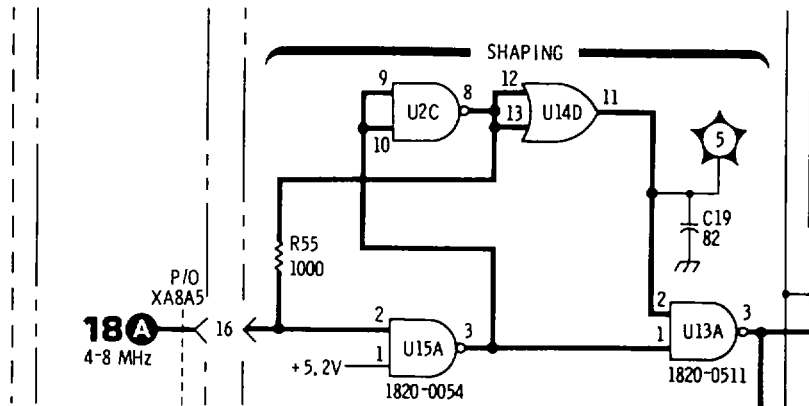


Figure 7-1. A8A2 Counter/Lock Board Assembly Backdating (Change B).

CHANGE C

NOTE

See paragraph 7-20 for recommended instrument modification.

Page 5-28, paragraph 5-38:
Delete step 7.

Pages 5-33 and 5-34, paragraph 5-40:

- Step 1: Change "FREQUENCY TUNE ... 24 MHz" to "FREQUENCY TUNE ... 16 MHz."
- Step 2: Change "24 MHz" to "16 MHz."
- Step 4: Delete entire step.
- Step 5: Change reference designator A3A4R2 to A3A4R3.
- Step 6: Change reference designator A3A4 R4 to A3A4R5.
- Step 7: Delete "24".

Page 6-6, Table 6-3:

- Change A3R2 to 2100-3266 RESISTOR; VAR; CONT, RREC, 1K 5%.
- Delete A3MP15 and MP16.

Page 6-7, Table 6-3:

Delete A3A4 (entire sub-assembly list) and add the following:

A3A4R1	0757-0442	RESISTOR; FXD; 10.0K 1% 1/8W.
A3A4R2	2100-3161	RESISTOR; VAR; 20K 10% TYPE P 3/4W.
A3A4R3	2100-3123	RESISTOR; VAR; 500 OHM 10% TYPE P 3/4W.
A3A4R4	0757-0280	RESISTOR; FXD; 1K 1% 1/8W.
A3A4R5	2100-3154	RESISTOR; VAR; 1000 OHM 10% TYPE P 3/4W.
A3A4TP1	0360-1514	TERMINAL PIN: SQUARE.
	1400-0024	CLAMP, CABLE NYLON 1/4 DIA.

Service Sheet 5 (schematic):

Change Reference Designators "A3A4R6" to "A3A4R1" and "A3A4R1" to "A3A4R2".

MANUAL CHANGES

CHANGE C (cont'd)

Service Sheet 6 (schematic):

Replace A3A4 with attached partial schematic (Figure 7-2):

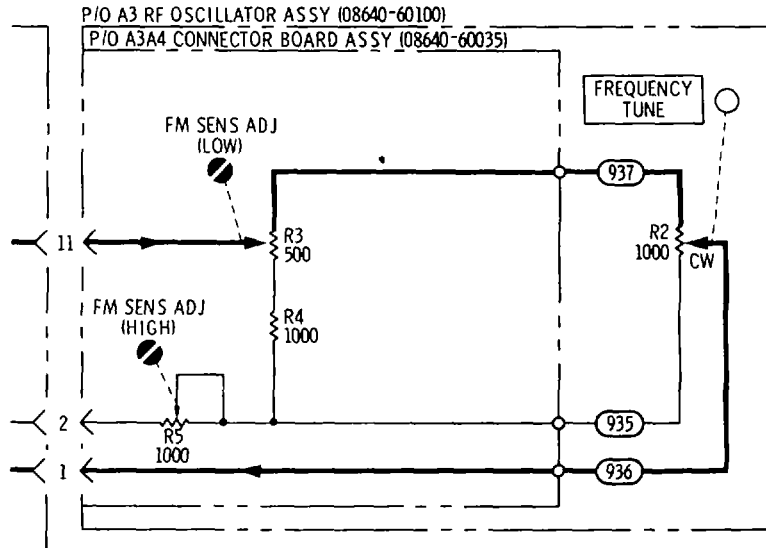


Figure 7-2. A3A4 Connector Board Assembly Backdating (Change C).

CHANGE D

NOTE

See paragraph 7-23 for recommended instrument modification.

Page 6-34, Table 6-3:

Delete A26AIR16 and R17.

Page 6-36, Table 6-3:

Change A26A4C10 to 0170-0066 CAPACITOR; FXD; 0.027 UF +10% 200 WVDC.

Page 6-37, Table 6-3:

Delete A26A4R54.

Page 6-40, Table 6-3:

Delete MP59 and MP60.

Service Sheet 12 (schematic):

Delete A26A4R54.

Change A26A4C10 to 0.027 UF.

Service Sheet 13 (schematic):

Replace appropriate portion of schematic with attached partial schematic (Figure 7-3).

Service Sheet 14 (schematic):

Add a ground symbol at the junction of A13R1 and A13S2BF.

MANUAL CHANGES

CHANGE E (cont'd)

Page 5-2, paragraph 5-21 (cont'd):

7. Without changing pot resistance, remove pot and measure its resistance. It should typically be 4500 ohms.
8. Solder nearest standard value resistor in parallel with A8AIR1 (across test points).

Page 5-2, Table 5-1:

Delete A8A1R4.

Add the following:

A8A1R1	18	620 ohms	See Paragraph 5-21.
--------	----	----------	---------------------

Page 6-7, Table 6-3:

Change A3A4R2 to 2100-3161 RESISTOR; VAR; 20K 10% TYPE P 3/4W.

Page 6-10, Table 6-3:

Change assembly part number for A7 to read as follows:

A7 08640-60030 FM SHAPING ASSY.

Delete A7J1.

Page 6-12, Table 6-3:

Change A8L1, L2 and L3 to 9140-0210 COIL, FXD, CHOKE, 100 UH 5%.

Page 6-13, Table 6-3:

Delete A8A1 (entire sub-assembly) and add the following:

A8A1	08640-60038	COUNTER/LOCK ASSY
A8A1C1	0180-0197	C: FXD ELECT 2.2 UF 10% 20VDCW
A8A1C2	0180-0197	C: FXD ELECT 2.2 UF 10% 20 VDCW
A8A1C3	0160-3879	C: FXD CER 0.01 UF 20% 100 VDCW
A8A1C4	0160-3879	C: FXD CER 0.01 UF 20% 100 VDCW
A8A1CR1	1901-0050	DIODE: SI 200 MA AT 1V
A8A1CR2	1901-0050	DIODE: SI 200 MA AT 1V
A8A1CR3	1901-0050	DIODE: SI 200 MA AT 1V
A8A1CR4	1901-0050	DIODE: SI 200 MA AT 1V
A8A1CR5	1901-0050	DIODE: SI 200 MA AT 1V
A8A1CR6	1901-0050	DIODE: SI 200 MA AT 1V
A8A1J1	1250-1220	CONNECTOR: RF 50 OHM SCREW ON TYPE
A8A1J2	1250-1220	CONNECTOR: RF 50 OHM SCREW ON TYPE
A8A1K1	0490-1073	RELAY
A8A1K2	0490-1073	RELAY
A8A1Q1	1854-0404	TSTR: SI NPN
A8A1Q2	1854-0404	TSTR: SI NPN

MANUAL CHANGES

CHANGE E (cont'd)

Page 6-13, Table 6-3 (cont'd):

A8A1R1	0698-6648	R: FXD COMP 620 OHM 5% 1/8W
A8A1R2	0698-6648	R: FXD COMP 620 OHM 5% 1/8W
A8A1R3	0757-0416	R: FXD MET FLM 511 OHM 1% 1/8W
A8A1R4	0757-0394	R: FXD MET FLM 51.1 OHM 1% 1/8W
A8A1R5	0757-0416	R: FXD MET FLM 511 OHM 1% 1/8W
A8A1R6	0757-0416	R: FXD MET FLM 511 OHM 1% 1/8W
A8A1R7	0757-1094	R: FXD MET FLM 1.47K OHM 1% 1/8W
A8A1R8	0757-0279	R: FXD MET FLM 3.16K OHM 1% 1/8W
A8A1U1	1820-0736	IC: DIGITAL
A8A1U2	1820-1003	IC: ECL HEX CONVERTER
A8A1U3	1820-0145	IC: DIGITAL QUAD 2-INPUT NOR GATE
A8A1U4	1820-0102	INTEGRATED CIRCUIT: J-K FLIP FLOP
A8A1U5	5088-7001	IC: AMP AND TRIG
	1251-1556	CONNECTOR: SINGLE CONTACT

Page 6-17, Table 6-3:

Add A9C6 CAPACITOR; FXD; 150 PF 5%.
 Add A9C7 CAPACITOR; FXD; 750 PF 5%.
 Add A9C8 CAPACITOR; FXD; 1500 PF 5%.

Page 6-18, Table 6-3:

Delete A9W1.

Page 6-20, Table 6-3:

Change A10AIMP10 to 08640-40050.
 Delete A10AIMP12.

Page 6-35, Table 6-3:

Change A26A2Q2, Q5 and Q6 to 1854-0071 TRANSISTOR NPN SI PD=300 MW FT=200 MHZ.
 Change A26A2Q7 to 1854-0023 TRANSISTOR NPN SI PD=360 MW FT=15 MHZ.
 Change A26A2Q3, Q4, Q8 and Q9 to 1853-0020 TRANSISTOR PNP SI PD=300 MW FT=150 MHZ.
 Change A26A2U1 to 1820-0398 IC: DIFF COMPARATOR AVOL = 1K MIN.
 Change A26A2U2 to 1820-0370 IC: TTL HS QUAD 2 INPUT NAND GATE.

Page 6-39, Table 6-3:

Delete MP56 and MP57.

Service Sheet 6 (schematic):

Add A9C6, 150 pF in parallel with A9R18.
 Add A9C7, 750 pF in parallel with R20.
 Add A9C8, 1500 pF in parallel with R22.
 Delete shielded cable A9W1 and in its place add 948 wire (white-yellow-gray).
 Change A3A4R2 to 20K.

MANUAL CHANGES

CHANGE E (cont'd)

Service Sheet 7 (schematic):

- Delete shielded cable A9W1 and in its place add 948 wire (white-yellow-gray).
- Delete Reference Designator A7J1.
- Change part number of A7 assembly to 08640-60030.

Service Sheet 8 (schematic):

- Change part number of A7 assembly to 08640-60030.

Service Sheet 13 (schematic):

- Change A26A2Q7 to 1854-0023.
- Change A26A2Q8 and Q9 to 1853-0020.
- Change A26A2U1 to 1820-0398.
- Change A26A2U2 to 1820-0370.
- Change the pin configuration on the symbol and drawing for A26A2U1 shown in Figure 7-4.

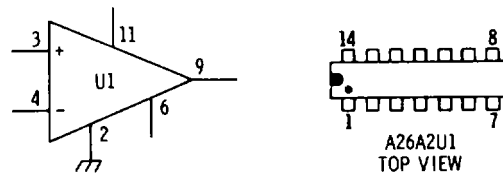


Figure 7-4. A26A2U1 Backdating (Change E).

Service Sheet 14 (schematic):

- Change A26A2Q2, Q5 and Q6 to 1854-0071.
- Change A26A2Q3 to 1853-0020.

Service Sheet 18 (schematic):

- Delete A8A1C3.
- Change the following reference designators:
 - A8A1R8 to A8A1R3.
 - A8AIR9 to A8A1R5.
 - A8AIR10 to A8A1R7.
 - A8A1R11 to A8A1R6.
- Change U5 to 5080-7001.
- Replace appropriate portion of schematic with attached partial schematic (Figure 7-5).

MANUAL CHANGES

CHANGE E (cont'd)

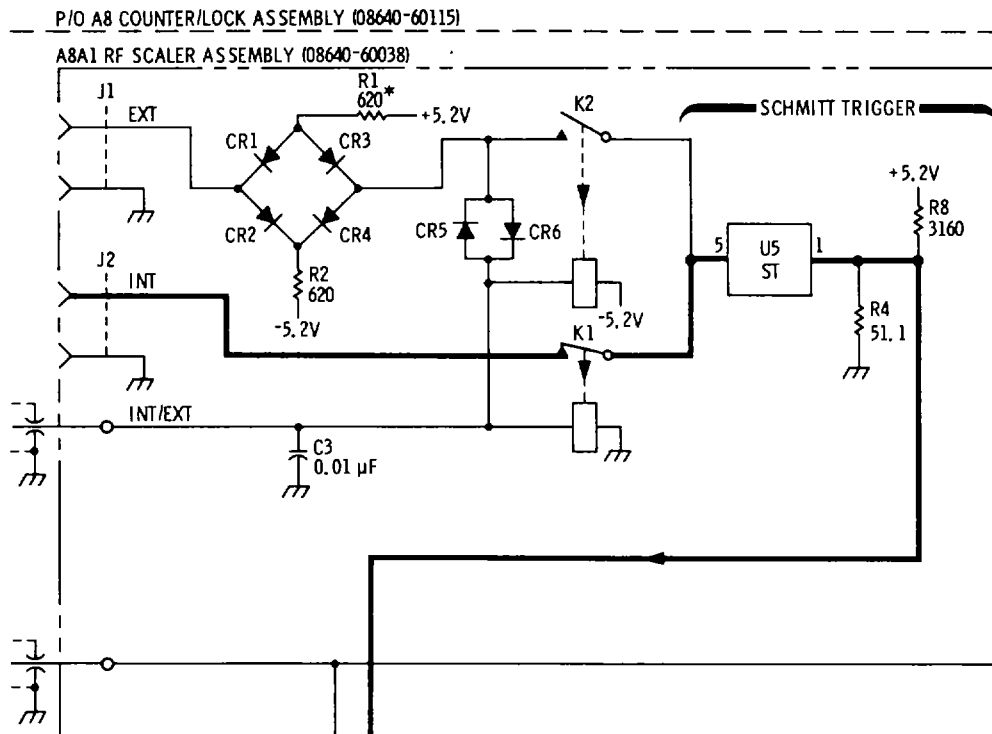


Figure 7-5. A8A1 RF Scaler Assembly Backdating (Change E).

CHANGE F

Page 6-13, Table 6-3:
Delete A8A1C7.

Service Sheet 18 (schematic):
Delete A8A1C7.

Service Sheet 22 (schematic):
Replace appropriate portion of schematic with attached partial schematic (Figure 7-6).

MANUAL CHANGES

CHANGE F (cont'd)

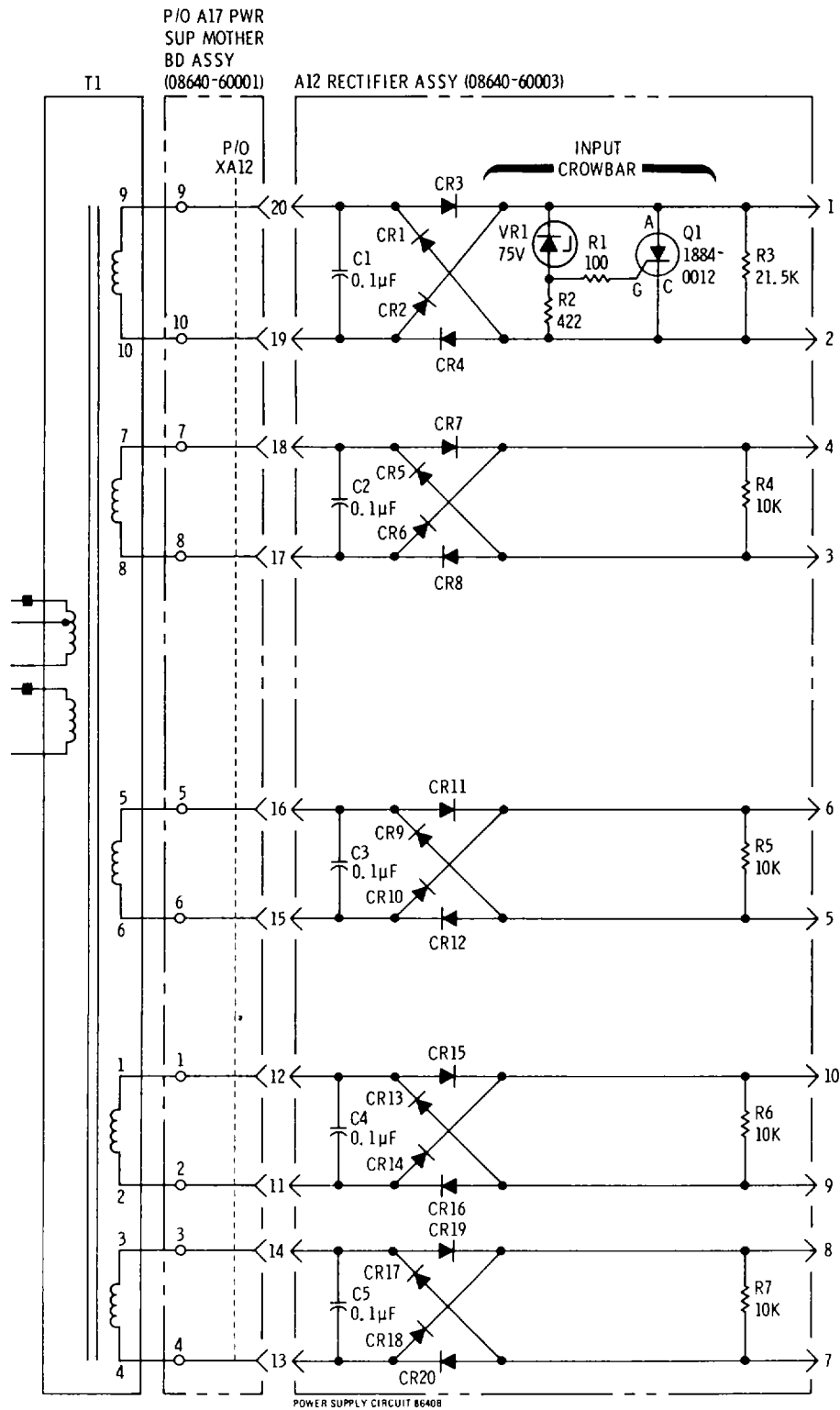


Figure 7-6. A12 Rectifier Assembly Backdating (Change F).

MANUAL CHANGES

CHANGE G**NOTE**

See paragraphs 7-38 through 7-43 for recommended instrument modifications.

Page 6-8, Table 6-3:
Delete A5C9.

Page 6-13, Table 6-3:
Change A8A2C12 to 0160-3455 CAPACITOR; FXD; 470 PF +10% 1000 WVDC.

Page 6-14, Table 6-3:
Delete A8A2L2.

Page 6-15, Table 6-3:
Add A8A2R48, 0698-7219 RESISTOR; FXD; 196 OHM 2% 1/8W.

Page 6-38, Table 6-3:
M1, MP20 changed. See paragraph 7-42 for recommended instrument modification.

Service Sheet 6 (schematic):
Delete A5C9.

Service Sheet 20 (schematic):
Change A8A2C12 to 470 pF.
Delete A8A2L2 and in its place add A8A2R48 196 ohms.

CHANGE H**NOTE**

See paragraph 7-44 for recommended instrument modification.

Page 6-34, Table 6-3:
Change A26A2CR9 to 1910-0022 DIODE; GE; 5W1V.

Page 6-37, Table 6-3:
Change A26A4R13 and R15 to 0757-0199 RESISTOR; FXD; 21.5K 1% 1/8W.
Change A26A4R22 to 0757-1093 RESISTOR; FXD; 3K 1% 1/8W.
Change A26A4R41 and R42 to 0698-3156 RESISTOR; FXD; 14.7K 1% 1/8W.

Service Sheet 12 (schematic):
Change A26A4R13 and R15 to 21.5K.
Change A26A4R22 to 3K.
Change A26A4R41 and R42 to 14.7K.

MANUAL CHANGES

CHANGE I**NOTE**

See paragraph 7-46 for recommended instrument modification.

Page 6-36, Table 6-3:

Change A26A4C14 to 0160-0134 CAPACITOR; FXD; 220 PF i5% 300 WVDC.

Service Sheet 12 (schematic):

Change A26A4C14 to 220 pF.

CHANGE J**NOTE**

See paragraphs 7-48 through 7-51 for recommended instrument modification.

Page 6-13, Table 6-3:

Change A8A1 to 08640-60041 RF SCALER ASSY.

Delete A8A1C7.

Delete A8A1CR1-3.

Add A8A1CR1-4 1901-0518 DIODE: HOT CARRIER.

Add A8A1CR5, 6 1901-0050 DIODE: SI 200 mA at 1V.

Delete A8AiMP2-4.

Add A8A1Q3 1854-0071 TRANSISTOR NPN SI PD=300 MW FT=200 MHZ.

Change A8AIR1 to 0698-6648 RESISTOR; FXD; 620 OHM 5% 1/8W.

Add A8A1R2 0698-5103 RESISTOR; FXD; 430 OHM 5% 1/8W.

Add A8A1R3 0698-7248 RESISTOR; FXD; 3.16K 2% 1/8W.

Page 6-14, Table 6-3:

Change A8A2C27 to 0160-3877 CAPACITOR; FXD; 100 PF 20% 200 WVDC.

Delete A8A2C28, C29 and C30.

Page 6-30, Table 6-3:

Delete A18R19.

Page 6-31, Table 6-3:

Delete A20R27.

Page 6-32, Table 6-3:

Delete A22R26 and R27.

Service Sheet 18 (schematic):

Replace appropriate part of schematic with attached partial schematic (Figure 7-7).

Service Sheet 20 (schematic):

Delete A8A2 C28, C29 and C30.

MANUAL CHANGES

CHANGE J (cont'd)

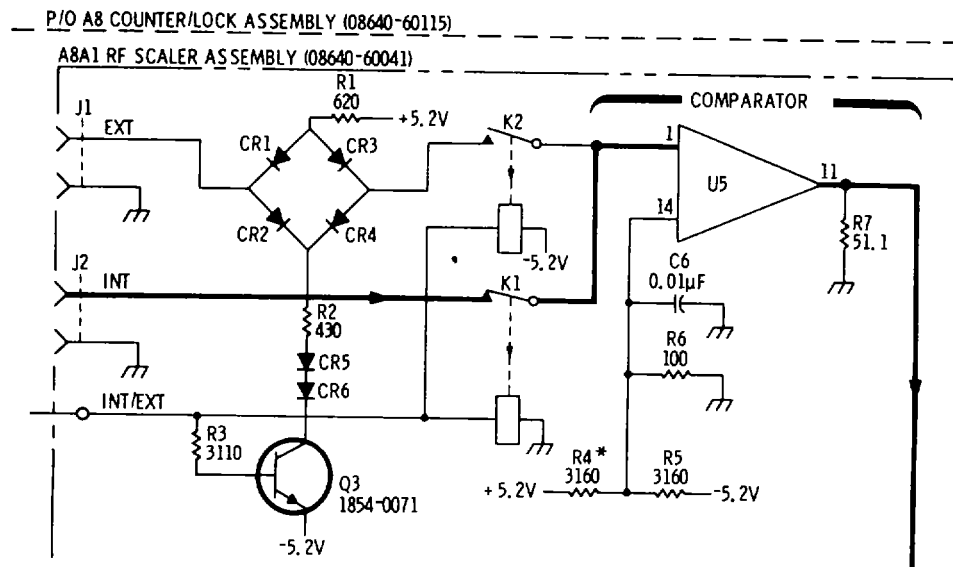


Figure 7-7. A8A1 RF Scaler Assembly Backdating (Change J).

Service Sheet 22 (schematic):

Delete A20R27, A22R26 and R27.

Service Sheet 23 (schematic):

Delete A18R19.

CHANGE K

NOTE

See paragraph 7-52 for recommended instrument modification.

Page 6-21, Table 6-3:

Add A100A2C5 0160-3456 CAPACITOR; FXD; 1000 PF 10% 250 WVDC.

Service Sheet 11 (schematic):

Add A100A2C5 between the collector of A10A2Q3 and ground.

CHANGE L

Pages 6-38 and 6-39, Table 6-3:

R1 and AUDIO OUTPUT LEVEL knob changed. See paragraph 7-54 for recommended instrument modification.

MANUAL CHANGES

CHANGE M

Page 6-11, Table 6-3:

Change to read as follows:

A7R13	0698-3155	R: FXD MET FLM 4.64K OHM 1% 1/8W
A7R21	0698-3437	R: FXD MET FL,M 133 OHM 1% 1/8W
A7R22	0757-0417	R: FXD MET FLM 562 OHM 1% 1/8W
A7R23	0698-0083	R: FXD MET FLM 1.96K OHM 1% 1/8W
A7R24	0757-0279	R: FXD MET FLM 3.16K OHM 1% 1/8W
A7R25	0698-3154	R: FXD MET FLM 4.22K OHM 1% 1/8W
A7R26	0757-0438	R: FXD MET FLM 5.11K OHM 1% 1/8W
A7R27	0757-0290	R: FXD MET FLM 6.19K OHM 1% 1/8W
A7R28	0757-0439	R: FXD MET FLM 6.81K OHM 1% 1/8W
A7R30	0698-4037	R: FXD MET FLM 46.4 OHM 1% 1/8W
A7R31	0698-4037	R: FXD MET FLM 46.4 OHM 1% 1/8W
A7R32	0698-4037	R: FXD MET FLM 46.4 OHM 1% 1/8W
A7R33	0698-4037	R: FXD MET FLM 46.4 OHM 1% 1/8W
A7R34	0698-4037	R: FXD MET FLM 46.4 OHM 1% 1/8W
A7R35	0698-4037	R: FXD MET FLM 46.4 OHM 1% 1/8W
A7R36	0698-4037	R: FXD MET FLM 46.4 OHM 1% 1/8W
A7R37	0757-0180	R: FXD MET FLM 31.6 OHM 1% 1/8W
A7R40	0757-0439	R: FXD MET FLM 6.81K OHM 1% 1/8W
A7R45	0698-3156	R: FXD MET FLM 14.7K OHM 1% 1/8W
A7R46	0757-0441	R: FXD MET FLM 8.25K OHM 1% 1/8W
A7R47	0757-0440	R: FXD MET FLM 7.50K OHM 1% 1/8W
A7R48	0757-0439	R: FXD MET FLM 6.81K OHM 1% 1/8W
A7R49	0757-0290	R: FXD MET FLM 6.19K OHM 1% 1/8W
A7R50	0757-0200	R: FXD MET FLM 5.62K OHM 1% 1/8W
A7R51	0757-0438	R: FXD MET FLM 5.11K OHM 1% 1/8W
A7R52	0698-3155	R: FXD MET FLM 4.64K OHM 1% 1/8W
A7R53	0757-0200	R: FXD MET FLM 5.62K OHM 1% 1/8W
A7R54	0757-0439	R: FXD MET FLM 6.81K OHM 1% 1/8W
A7R57	0757-0402	R: FXD MET FLM 110 OHM 1% 1/8W
A7R58	0757-0401	R: FXD MET FLM 100 OHM 1% 1/8W
A7R59	0757-0400	R: FXD MET FLM 90.9 OHM 1% 1/8W
A7R60	0757-0399	R: FXD MET FLM 82.5 OHM 1% 1/8W
A7R61	0757-0398	R: FXD MET FLM 75 OHM 1% 1/8W
A7R62	0757-0397	R: FXD MET FLM 68.1 OHM 1% 1/8W
A7R63	0757-0276	R: FXD MET FLM 61.9 OHM 1% 1/8W
A7R64	0757-0395	R: FXD MET FLM 56.2 OHM 1% 1/8W
A7R65	0757-0394	R: FXD MET FLM 51.1 OHM 1% 1/8W

Page 6-26, Table 6-3:

Change A1R34 to 0757-0438 RESISTOR; FXD; 5.11K 1% 1/8W.

Change A1R35 to 2100-2633 RESISTOR; VAR; 1K 10% 1/2W LIN.

MANUAL CHANGES

CHANGE M (cont'd)

Service Sheet 7 (schematic)

Change to read as follows:

A7R13	4640Ω	A7R30	46.4Ω	A7R45	14.7K	A7R54	6810Ω
A7R21	133Ω	A7R31	46.4Ω	A7R46	8250Ω	A7R57	110Ω
A7R22	562Ω	A7R32	46.4Ω	A7R47	7500Ω	A7R58	100Ω
A7R23	1960Ω	A7R33	46.4Ω	A7R48	6810Ω	A7R59	90.9Ω
A7R24	3160Ω	A7R34	46.4Ω	A7R49	6190Ω	A7R60	82.5Ω
A7R25	4220Ω	A7R35	46.4Ω	A7R50	5620Ω	A7R61	75.0Ω
A7R26	5110Ω	A7R36	46.4Ω	A7R51	5110Ω	A7R62	68.1Ω
A7R27	6190Ω	A7R37	31.6Ω	A7R52	4640Ω	A7R63	61.9Ω
A7R28	6810Ω	A7R40	6810Ω	A7R53	5620Ω	A7R64	56.2Ω
						A7R65	51.1Ω

Service Sheet 9A (schematic):

Change A11R34 to 5110Q2.

Change A11R35 to 1000Q2.

CHANGE N**NOTE****See paragraph 7-56 for recommended instrument modification.**

Page 5-2, Table 5-1:

Delete A10OA2R6-8, R12-14, and R18-20.

Pages 5-2 and 5-3, paragraph 5-21:

Delete sections b. and c. A10OA2R6-8, R12-14, and R18-20.

Page 6-17, Table 6-3:

Change A8A4R3 to 0757-0458 RESISTOR; FXD; 51.1K OHM ±1% 1/8W.

Delete A8A4R5.

Delete A8A4XDSIA/B.

Page 6-38, Table 6-3:

Change C6 to 0160-0586 CAPACITOR; FXD; 0.022 UF + 20% 100 WVDC.

Service Sheet 20 (schematic):

Delete A8A4R5.

CHANGE 1

NOTE

See paragraph 7-58 for recommended instrument modification.

Page 5-2, Paragraph 5-21:

Add the following:

- g. **A9C8 Selection.** If A9 has been changed, perform FM 3 dB BANDWIDTH TEST (4-38) to determine if the FM Amplifier is peaking above specification in the 5 kHz PEAK DEVIATION range. If the FM Amplifier is peaking excessively, increase the value of A9C8 until flatness of the amplifier is within specification.

Page 5-2, Table 5-1:

Add the following:

Component	Service Sheet	Range of Values	Basis of Selection
A9C8	6	240-310pF	See paragraph 5-21.

Page 6-17, Table 6-3:

Change A8A4R2 to 2100-3216 RESISTOR, VAR, TRMR, 10K OHM 20%SC.

Add A9C8 0140-0210 CAPACITOR, FXD, 270 PF \pm 5% 300 WVDC.

Page 6-22, Table 6-3:

Add A10A2C53 0180-0197 CAPACITOR, FXD, 2.2UF +10% 20 VDC TA.

Page 6-23, Table 6-3:

Change A10A2R55 to 0698-0085 RESISTOR, FXD, 2.61K 1% .125W F TUBULAR.

Delete A10A2R56.

Change A10A2R58 to 06983454 RESISTOR, FXD, 215K 1% .125W F TUBULAR.

Service Sheet 6 (schematic):

Add A9C8 270 pF (with asterisk) parallel to R22, between R21 and ground.

Service Sheet 11 (schematic):

Add A10A2C53 (2.2pF) from U1 pin 3 to ground with the positive electrode at pin 3.

Change A10A2R55 to 2610.

Delete A10A2R56.

Change A10A2R58 to 215K.

Service Sheet 11 (Principles of Operation):

Schmitt Trigger (A 10A2):

Delete R56 from second sentence.

CHANGE 2

NOTE

See paragraph 7-60 for recommended instrument modification.

Page 6-37, Table 6-3:

Change A26A4VR2 to read 1902-0184 DIODE, VREG, 16.2V VZ, 0.4W MAX.

Service Sheet 12 (schematic):

Change A26A4VR2 to 16.2V.

CHANGE 3

NOTE

See paragraphs 7-62 through 7-67 for recommended instrument modification.

Page 6-17, Table 6-3:

Change A8A4R1 to 2100-0647.

CHANGE 3 (Cont'd)

Page 6-22, Table 6-3:

Add A10A2C54, 0160-3456 CAPACITOR, FXD, 0.001 UF±10% 250 WVDC.

Page 6-29, Table 6-3:

Change A18Q2 to 1854-0232.

Page 6-30, Table 6-3:

Change A20Q2 to 1854-0232.

Page 6-32, Table 6-3:

Change A22Q2, 3 to 1854-0232.

Service Sheet 11 (schematic):

Add A10A2C54, 1000 pF, between the heat sink of U14, -5.2V (F2) and ground.

Service Sheet 22 (schematic):

Change A20Q2 and A22Q2,3 to 1854-0232.

Service Sheet 23 (schematic):

Change A18Q2 to 1854-0232.

CHANGE 4**NOTE**

Page 6-18, Table 6-3: **See paragraph 7-70 for recommended instrument modification.**

Delete A9R2.

Pages 6-18 and 6-19, Table 6-3:

Change A10A1C24, C32 and C67 to 0160-2537.

Change A10A1C17 and C52 to 0140-0150.

Pages 6-25 and 6-26, Table 6-3:

Change A11Q1 to 1853-0050.

Change A11R2 and R6 to 0757-0472 RESISTOR, FXD, 200K 1% 0.125W F TUBULAR.

Page 6-28, Table 6-3:

Change A12 to 08640-60190.

Delete A12Q1, A12R1, 2 and A12VR1.

Add A13R6 0698-4014 RESISTOR; FXD; 787 OHM 1% 0.125W F.

Page 6-34, Table 6-3:

Delete A26A2CR6.

Delete A26A2K1.

Service Sheet 6 (schematic):

Delete A9R2 and associated 94 wire.

Add A13R6 787 ohm between pin 28 (to A9J1) and ground.

Service Sheet 9A (schematic):

Change A11Q1 to 1853-0050.

Change A11R2 and R6 to 200K.

Service Sheet 13 (schematic):

Delete A26A2CR6 and A26A2K1.

Connect the anode of A26A2CR5 to Pin 19.

Service Sheet 22 (Principles of Operation):

Input Voltage (A12 and A14):

Delete entire second paragraph after "The A12 Rectifier Assembly contains five full-wave rectifiers."

Service Sheet 22 (schematic):

Change part number for the A12 assembly to 08640-60190.

Delete A12Q1, A12R1,2 and A12VR1.

Service Sheet 25 (schematic):

Add A13R6 between pin 28 (to A9J1) and ground.

CHANGE 5

Page 6-13, Table 6-3:
Change A8MP41 to 08640-40067.

Page 6-37, Table 6-3:
Change A26A4S1 to 3101-0860.

CHANGE 6

NOTE

See paragraph 7-75 for recommended instrument modification.

Page 1-6, paragraph 1-65:
Delete the following:
Spare power supply regulator integrated circuit.

Page 5-2, paragraph 5-21:
Add step h. **A8A1C8 Selection.** Capacitor may or may not be used; its value will always be 2.2 pF. Select as follows:

1. Set COUNTER MODE: Source to EXT 0-550, RANGE to 256-512 MHz, and OUTPUT LEVEL to +10 dBm.
2. Connect RF OUTPUT to COUNTER INPUT.
3. Turn FREQUENCY TUNE cw and observe frequency increase towards 550 MHz on the counter.
4. Repeat step 3 for OUTPUT LEVEL settings of 0 dBm and -7 dBm. If count becomes erratic or displays zero count, as frequency approaches 550 MHz, add capacitor between pins 13 and 16 of A8AIU1.

Page 5-2, Table 5-1:
Add the following:

Component	Service Sheet	Range of Values	Basis of Selection
A8A1C8	18	2.2 pF	See paragraph 5-21

Page 6-13, Table 6-3:
Add A8A1C8 0160-3872 CAPACITOR-FXD 2.2 PF + 0.25 PF 200 WVDC.

Page 6-34, Table 6-3:
Change A26A2CR9 to 1901-0539 DIODE, SCHOTTKY, SI.
Change A26A2CR13 to 1901-0539 DIODE, SCHOTTKY, SI.

CHANGE 6 (Cont'd)

Page 6-36, Table 6-3:

Change A26A4CR7-9 to 1901-0539 DIODE, SCHOTTKY, SI.

Page 8-3, paragraph 8-20:

Delete references to "IC regulator" (two places).

Service Sheet 18 (schematic):

Add a 2.2 pF capacitor C8, with asterisk (*), between A8AIU1 pin 13 and ground.

CHANGE 7

NOTE

See paragraphs 7-78 through 7-82 for recommended instrument modification.

Page 6-14, Table 6-3:

Add A8A2C31 0160-3456 CAPACITOR; FXD; 0.001 UF + 10% 1000 WVDC.

Page 6-25, Table 6-3:

Add A11MP17 08640-00081 INSULATOR, VAR AUD OSC.

Page 6-36, Table 6-3:

Change A26A4R5 to 0757-0290 RESISTOR; FXD; 6.19K 1% 0.125 W F TUBULAR.

Page 6-37, Table 6-3:

Change A26A4R28 to 0698-3154 RESISTOR; FXD; 4.22K 1% 0.125 W F TUBULAR.

Service Sheet 12 (schematic):

Change A26A4R5 to 6190 ohms.

Change A26A4R28 to 4220 ohms.

Service Sheet 21 (schematic):

Add A8A2C31, 1000 pF, between TP6 and ground.

CHANGE 8

Page 6-6, Table 6-3:

Change A2VR2 to 1902-3104 DIODE; ZENER; 5.62V VZ; 0.4W MAX PD.

Service Sheet 17 (schematic):

Change A2VR2 to 5.62V:

Change indicated voltages at A2VR2 cathode, A2U1 pin 4, and A2U2 pin 5 to -14V.

CHANGE 9

Page 5-28, paragraph 5-38:

Delete step 7.

Page 6-7, Table 6-3:

Change A3A4 to 08640-60196.

Delete A3A4C1, and C2.

Change A3A4R3 to 2100-3123 RESISTOR: VAR: TRMR: 500 OHM 10% C.

Delete A3A4R5.

Change A3A4R7 to 0698-3439 RESISTOR: FXD: 178 OHM 1% 0.125 W F TUBULAR.

Change A3A4R8 to 0757-0416 RESISTOR: FXD: 511 OHM 1% 0.125 F.

Delete A3A4U1.

Page 6-15, Table 6-3:

Change A8A2U14 to 1820-0205.

Service Sheet 5 (schematic):

Change the part number for the A3A4 sub-assembly to 08640-60196.

Service Sheet 6 (Principles of Operation):

Input and Buffer Circuits (A5):

Change the seventh sentence to read as follows:

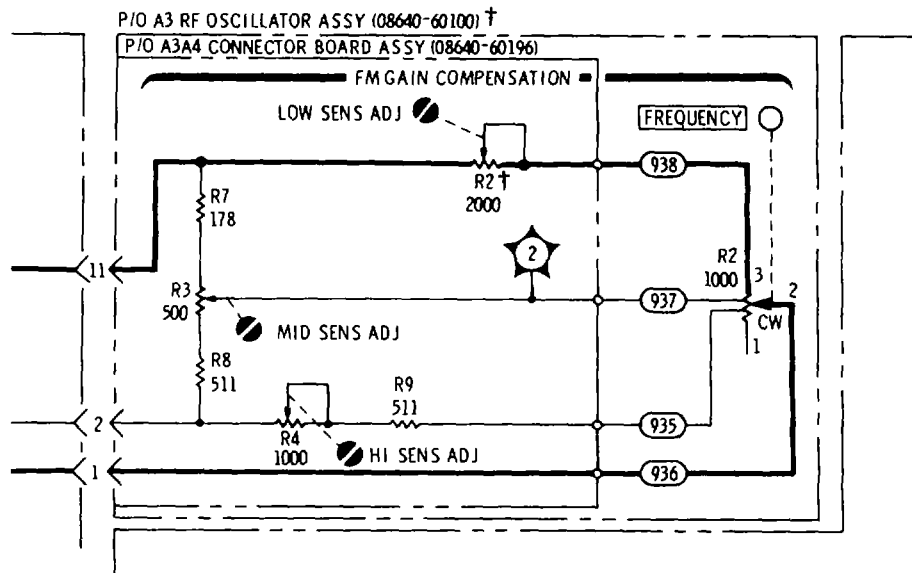
"The gain compensation adjustment potentiometers (A3A4R2, R3, and R4) set the FM sensitivity at the frequency mid-point and extremes."

Service Sheet 6 (Troubleshooting):

Delete FM Gain Compensation, (A3A4) Circuit.

Service Sheet 6 (schematic):

Replace appropriate portion of schematic with the attached partial schematic.



P/O Figure 8-25. FM Amplifiers Schematic Diagram (P/O Change 9).

CHANGE 9 (Cont'd)

Service Sheet 20 (schematic):
 Change the part number for A8A2U14 (at U14B) to 1820-0205 (see note).
 Service Sheet 21 (schematic):
 Change the part number for A8A2U14A to 1820-0205.

NOTE
IC 1820-0205 is the recommended replacement for A8A2U14 in instruments with serial number prefixes below 1405A.

Service Sheet G (internal view)
 Delete A3A4R5 OFFSET 1

CHANGE 10

NOTE
See Paragraph 7-83 for recommended instrument modification.

Page 1-10, Table 1-1:

MODULATION CHARACTERISTICS:

General:

Change **Internal Modulation Sources: Optional** to read as follows:
 "Frequency: Variable 20 Hz to 600 kHz +10% in 5 decade continuous bands plus fixed 400 Hz and 1 kHz +3%."

Pages 4-44 and 4-45, paragraph 4-30:

SPECIFICATION:

Option 001:

Change +2% to +3%.

Delete steps 2 and 3.

Add the following:

2. The frequency counter should read 400 + 8 Hz on a standard instrument, 400 ± 12 Hz on an Option 001. The voltmeter should read greater than 1 Vrms on a standard instrument, 3 Vrms on an Option 001.

Standard:	392 _____	408 Hz
	1.0 Vrms _____	
Option 001:	388 _____	412 Hz
	3.0 Vrms _____	

3. Set MODULATION FREQUENCY to 1 kHz (fixed). The frequency counter should read 1000 ± 20 Hz on a standard instrument, 1000 + 30 Hz on an Option 001, and the voltmeter should read as specified above.

Standard:	980 _____	1020 Hz
	1.0 Vrms _____	
Option 001:	970 _____	1030 Hz
	3.0 Vrms _____	

Page 4-81, Table 4-1:

Change **4-30, Internal Modulation Oscillator Test** as follows:

400 Hz Fixed: Standard: 392 _____ 408 Hz

1.0 Vrms _____

Option 001: 388 _____ 412 Hz

3.0 Vrms _____

1 kHz Fixed: Standard: 980 _____ 1020 Hz

1.0 Vrms _____

Option 001: 970 _____ 1030 Hz

3.0 Vrms _____

CHANGE 10 (Cont'd)

Page 6-13, Table 6-3:

Add A8A1C5 0160-3879 CAPACITOR; FXD; 0.01 UF ± 20% 100 WVDC.

Change A8A1C7 to 0160-3877 CAPACITOR; FXD; 100 PF ± 20% 200 WVDC.

Add A8A1CR4, 5 1901-0050 DIODE; SWITCHING: SI; 80V MAX VRM 200 MA.

Page 6-25, Table 6-3:

Change A11R2 to 0698-3453 RESISTOR; FXD; 196K 1% 0.125 W F TUBULAR.

Page 6-30, Table 6-3:

Change A20Q4 to 1853-0224 TRANSISTOR; PNP; SI CHIP PD = 1W FT = 15 MHz.

Service Sheet 9A (schematic):

Change A11R2 to 196 kΩ.

Service Sheet 18 (Principles of Operation):

Comparator (A8A1): Change the second sentence to read as follows:

"In the EXT counter mode, the external input couples into U5 through relay K2 and a diode network (CR2-5) which protects U5 from large voltages."

Service Sheet 18 (component locations):

Replace Figure 8-55 with the attached figure.

A8A1

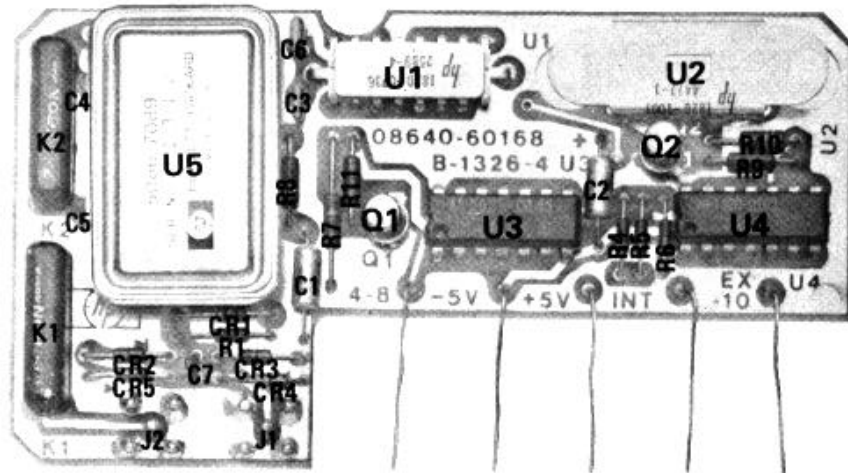
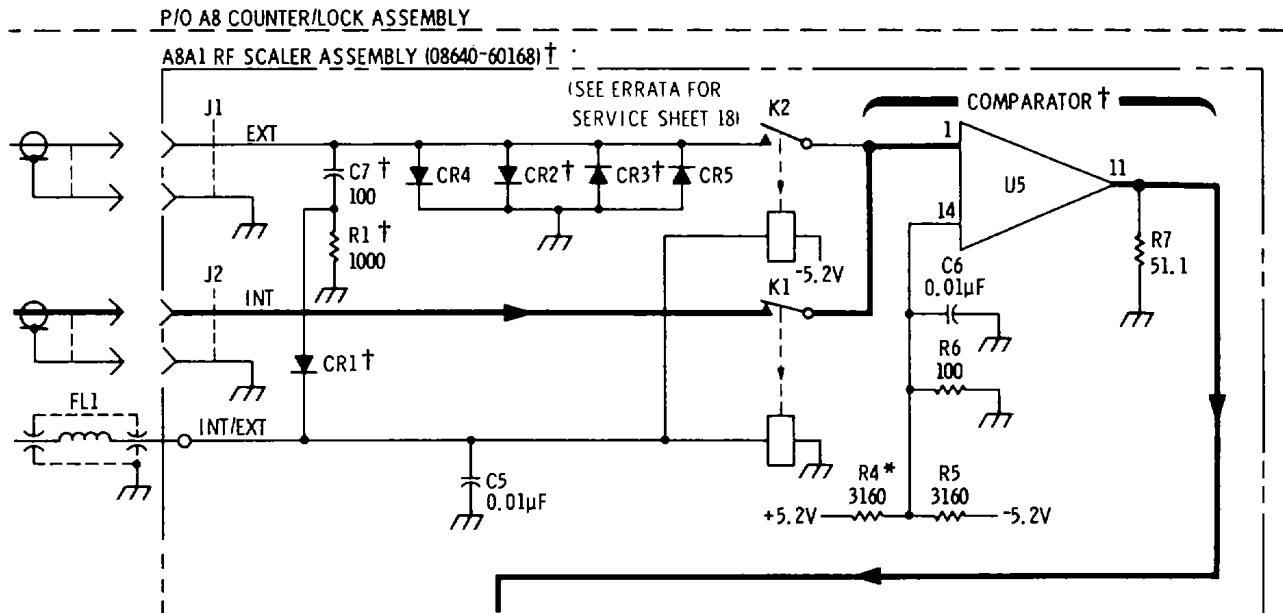


Figure 8-55. A8A1 RF Scaler Assembly Component Locations (P/O Change 10)

CHANGE 10 (Cont'd)

Service Sheet 18 (schematic):

Replace appropriate portion of schematic with attached partial schematic.



P/O Figure 8-57. Counter RF Scaler Schematic Diagram (P/O Change 10)

Service Sheet 22 (schematic):

Change the part number for A20Q4 to 1853-0224.

CHANGE 11

NOTE

See paragraphs 7-85 through 7-89 for recommended instrument modification.

Page 6-30, Table 6-3:

Change A18U1 to 1826-0177.

Page 6-31, Table 6-3:

Change A20U1, 2 to 1826-0177.

Change A22 to 08640-60177.

Page 6-32, Table 6-3:

Change A22R6 to 0757-0438 RESISTOR; FXD; 5.11K 1% 0.125W F TUBULAR.

Add A22R28 0757-0278 RESISTOR; FXD; 1.78K 1% 0.125W F TUBULAR.

Change A22U1, 2 to 1826-0177.

Add A22VR6 1902-0761 DIODE; ZENER; 6.2V VZ; 0.25W MAX PD.

CHANGE 11 (Cont'd)

Page 6-39, Table 6-3:

Change W16 to 8120-1593 CABLE; SHLD 5-COND 22 AWG.

Service Sheet 22 (Principles of Operation):

+20V REGULATOR (A22):

Change the first sentence as follows:

" . . . formed by R5, R6, and R7 and is referenced to the Voltage across VR6."

Service Sheet 22 (component locations):

Replace Figure 8-68 with the attached figure.

A22

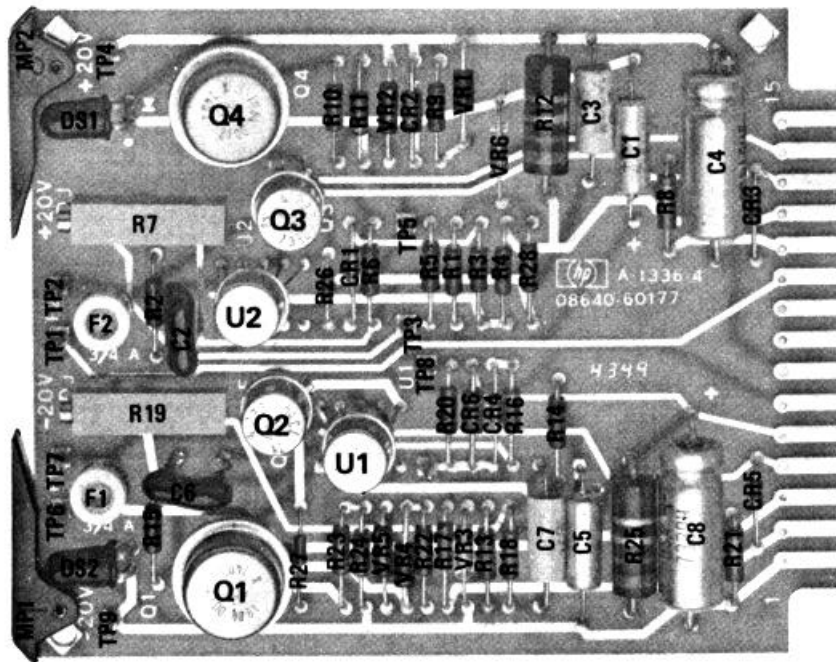


Figure 8-68. A22 +20V and -20V Regulator Assembly Component Locations (P/O Change 11)

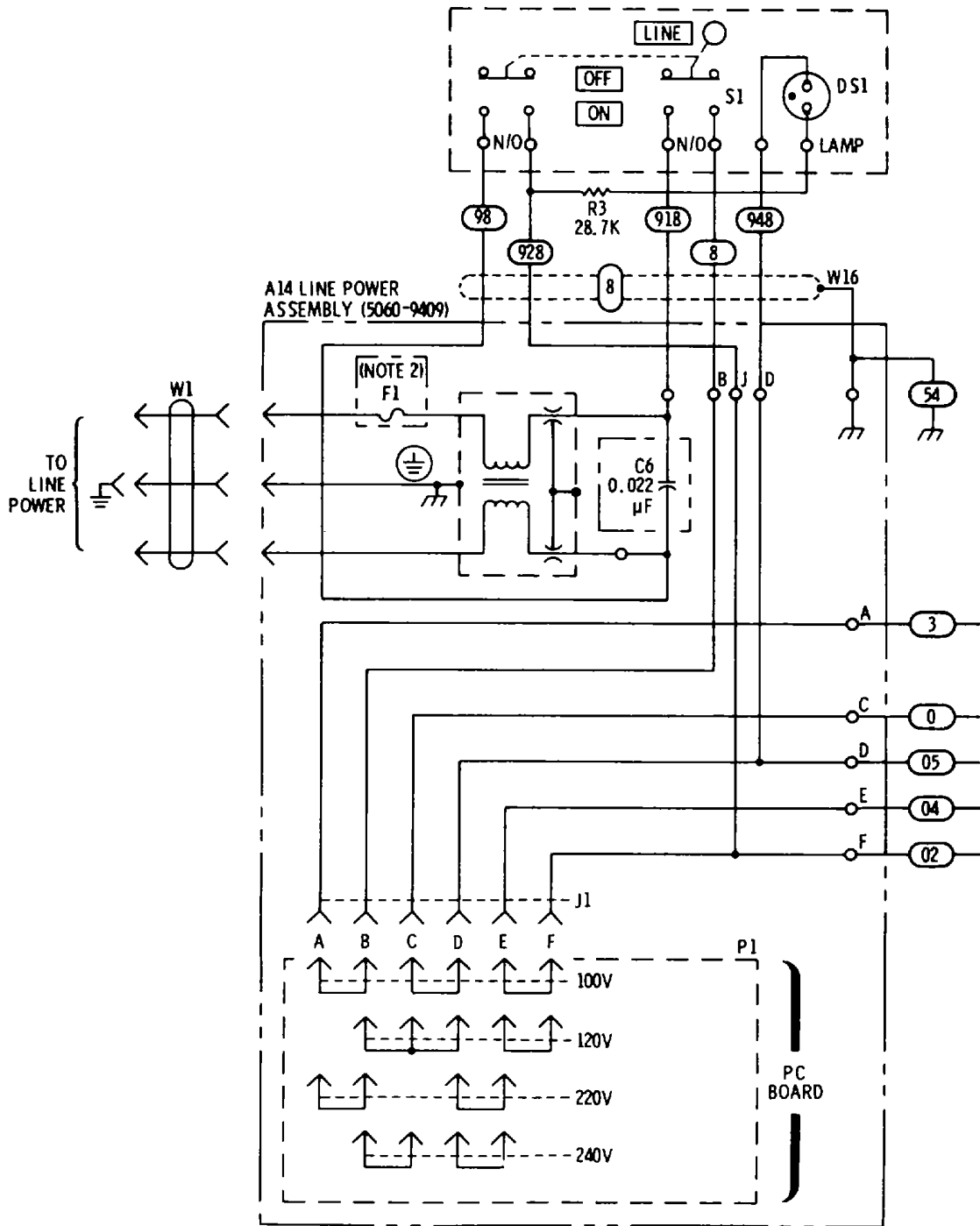
Service Sheet 22 (schematic):

Change the part number for A22 to 08640-60177 (2 places).

Change the part number for the voltage regulator (Note 1) to 1826-0177.

Replace the appropriate portions of schematic with the following partial schematics.

CHANGE 11 (Cont'd)



P/O Figure 8-69. Power Supply Circuits Schematic Diagram (P/O Change 11) (1 of 2)

CHANGE 13 (Cont'd)

A26A1CR5	1901-0040	DIODE, SWITCHING, SI, 30V MAX VRM 50 MA
A26A1CR6	1901-0539	DIODE, SCHOTTKY, SI
A26A1L1	9100-1620	COIL, FXD, MOLDED RF CHOKE, 15 UH 10%
A26A1L2	9140-0180	COIL, FXD, MOLDED RF CHOKE, 2.7 UH 10%
A26A1Q1	1853-0007	TRANSISTOR, 2N3251 PNP SI
A26A1Q2	1855-0049	TRANSISTOR, JFET, DUAL, N-CHAN D-MODE SI
A26A1Q3	1855-0020	TRANSISTOR, JFET N-CHAN D-MODE SI
A26A1Q4	1853-0007	TRANSISTOR, 2N3251 PNP SI
A26A1Q5	1854-0071	TRANSISTOR, NPN SI
A26A1Q6	1854-0071	TRANSISTOR, NPN SI
A26A1Q7	1854-0071	TRANSISTOR, NPN SI
A26A1Q8	1854-0071	TRANSISTOR, NPN SI
A26A1Q9	1854-0071	TRANSISTOR, NPN SI
A26A1R1	0698-3447	RESISTOR, FXD, 422 OHM 1% .125W F
A26A1R2	0698-3446	RESISTOR, FXD 383 OHM 1% .125W F
A26A1R3	0757-0420	RESISTOR, FXD, 750 OHM 1% .125W F
A26A1R4	0757-0317	RESISTOR, FXD, 1.33K 1% .125W F TUBULAR
A26A1R5	0757-0420	RESISTOR, FXD, 750 OHM 1% .125W F
A26A1R6	0757-0260	RESISTOR, FXD, 1K 1% .125W F TUBULAR
A26A1R7	0757-0441	RESISTOR, FXD, 8.25K 1% .125W F TUBULAR
A26A1R8	0698-3443	RESISTOR, FXD, 287 OHM 1% .125W F
A26A1R9	0757-0199	RESISTOR, FXD, 21.5K 1% .125W F TUBULAR
A26A1R10	0757-0199	RESISTOR, FXD, 21.5K 1% .125W F TUBULAR
A26A1R11	0757-0458	RESISTOR, FXD, 51.1K 1% .125W F TUBULAR
A26A1R12	0683-3355	RESISTOR, FXD, 3.3M 5% .25W CC TUBULAR
A26A1R13	0698-3450	RESISTOR, FXD, 42.2K 1% .125W F TUBULAR
A26A1R14	0698-3450	RESISTOR, FXD, 42.2K 1% .125W F TUBULAR
A26A1R15	0683-1055	RESISTOR, FXD, 1M 5% .25W CC TUBULAR
A26A1R16	0698-3438	RESISTOR, FXD, 147 OHM 1% .125W F
A26A1R17	0698-3132	RESISTOR, FXD, 261 OHM 1% .125W F
A26A1R18	0757-0438	RESISTOR, FXD, 5.11K 1% .125W F TUBULAR
A26A1R19	2100-2061	RESISTOR, VAR, TRMR, 200 OHM 10% C
A26A1R20	0757-0442	RESISTOR, FXD, 10K 1% .125W F TUBULAR
A26A1R21	0757-0420	RESISTOR, FXD, 750 OHM 1% .125W F
A26A1R22	0698-3160	RESISTOR, FXD, 31.6K 1% .125W F TUBULAR
A26A1R23	0683-1055	RESISTOR, FXD, 1M 5% .25W CC TUBULAR
A26A1TP1	0360-1514	TERMINAL, SLDR STUD
A26A1TP2	0340-0044	TERMINAL, SLDR STUD, .148 SHK DIA
A26A1VR1	1902-0184	DIODE, VREG, 16.2V VZ, .4W MAX
A26A1VR2	1902-0048	DIODE, VREG, 6.81V VZ, .4W MAX
A26A1XU1A- E	1251-2613	CONNECTOR, 1 - CONT SKT .033 DIA

CHANGE 13 (Cont'd)

Service Sheet 13 (Principles of Operation):

Change Principles of Operation to read as follows:

General

The RF signal from the RF Filters is amplified by RF Output Amplifier A26U1. The amplifier is a sealed microcircuit that plugs into the rear of the AGC detector board. The amplifier drives resistor A26U1R1 which sets the amplifier output impedance. The output is ac coupled through A26U1C2 and drives the Output Attenuator. The step attenuator consists of resistive attenuator sections which are switched in and out by cam driven microswitches. The attenuator steps are 10 dB with an impedance of 5092. Capacitor A1A2C1 ac couples the RF output to the RF OUTPUT jack J1.

AGC Detector (A26U1)

The AGC detector (CR1) detects the negative peaks of the RF signal from the Output Amplifier. The detector output is summed with the positive AGC reference voltage in the Summing Amplifier (Service Sheet 12). Detector diode CR1 conducts whenever the RF amplifier output is one diode junction voltage drop below the voltage across C3. The capacitor is then negatively charged until the amplifier voltage rises, at which time CR1 shuts off. C3 then slowly discharges through resistors A26A1R22 and R23 until another negative peak recharges it.

AM Bandwidth Control (A26A1)

In the 2-4 and 4-8 MHz (or LO BAND 2) frequency ranges, capacitor C5 is switched in parallel with A26U1C3 by Q7. Transistor Q7 is a switch which operates in the inverted mode (i.e., the emitter functions as a collector and the collector as an emitter). The added capacitance of C5 reduces the amount of capacitor discharge between RF voltage peaks on the lower frequency bands, but limits the AM bandwidth. Capacitor C4 is also switched in for the 0.5-1 and 1-2 MHz (or LO BAND 1) ranges by Q6.

In the pulse modulation mode Q5, Q8, and Q9 are switched on. This switches out C4 and C5 and switches C6 in. Switching of Q5-9 is multiplexed onto one line by transistors A26A2Q8 and Q9. A26A2Q8 is a switchable current source. In LOW BAND 2 it generates just enough current to turn on the collector-base junction of Q7. In LOW BAND 1 the current increases enough to turn on both Q6 and Q7 (because the voltage drop across R4 is enough to turn on Zener diode VR2). When the PULSE CODE line is low, A26A2Q9 is on which turns on Q5, Q8 and Q9 through Zener diode VR1.

Sample and Hold (A26A1)

The Schmitt Trigger (A26A2) and Q4 bias Q3 (normally biased on) off between pulses, which prevents C6 from discharging. (If C6 were to discharge between pulse bursts, the Modulator would be driven to maximum output when the next pulse arrived.)

Schmitt Trigger (A26A2)

The Schmitt Trigger formed by U1 and U2A converts the pulse input voltage into 0 to 5V pulses. When the PULSE CODE line is low, the Schmitt Trigger output is enabled at U2C. Resistors R20 and R21 set the trigger reference at about 0.5 Vdc. When the input to U1 is above the reference, the output of U2A is low. When the input goes below the reference, the output of U2A goes high (+5V). Resistor R23 adds a small amount of hysteresis to the reference voltage.

In the pulse modulation mode, NAND gate U2C inverts the trigger output and switches transistors A26A1Q4 and Q3 on when the input pulse is high, or off when the input pulse is low. Thus the charge on capacitor A26A1C6 is stored between pulses. Similarly, NAND gate U2D inverts the trigger output and switches the Modulator Driver Amplifier A26A4 (Service Sheet 12).

CHANGE 13 (Cont'd)

Detector Buffer Amplifier (A26A1)

Transistor Q1 and FET Q2 form a high impedance, unity gain buffer amplifier. Diode CR6 and resistor R19 add a dc offset which compensates for the junction voltage drop of the detector diode to maintain constant % AM when OUTPUT LEVEL Verner is varied.

Rate Detector (A26A2)

Flip-flops U3A and U3B form a rate detector to turn off the RF level drive to the meter circuits whenever the pulse repetition rate falls below 20 Hz. Below 20 Hz rates, the output leveling system cannot accurately control the output amplitude. The flip-flops are arranged as retriggerable monostable (one-shot) multivibrators with timing elements R25 and C10, and R28 and C11. A low-going output from U2A triggers U3A and the Q output of U3A goes low for 50 ms. If the repetition rate of the incoming pulses is higher, than 20 Hz, U3A retriggers and the Q output remains low. In the absence of pulses from the Q output of U3A, the Q output of U3B is low, transistor Q7 is off and the meter operates normally. For pulse repetition rates less than 20 Hz, U3B is periodically triggered by the Q output of U3A. The Q output of U3B goes high for 100 ms (or longer if U3B is retriggered by U3A) and turns on Q7 which disables the meter drive amplifier output, and the meter reads zero. Thus the meter is turned off for low rate pulses. When not in the pulse modulation mode, the output of inverter U2B is low; the output of U2C is high and A26A1Q4 and Q3 are held on; the output of U2D is high and the modulator is held in its normal on mode; and Q7 is held off.

Service Sheet 13 (Troubleshooting):

Add the following note after Initial Control Settings.

NOTE

If pulse burst amplitude is too high for low-duty cycle pulses, check A26A1Q3, Q2, C6, and interconnecting lines for dc current leakage.

Change the RF Amplifier, Pulse Switching and Step Attenuator Troubleshooting table as follows:

DETECTOR BUFFER AMPLIFIER (A26A1)	As above	≈3 Vdc at TP1 (DET)	Check Q1, Q2, and associated circuitry
BW CONTROL (A26A1)	Initial conditions and settings except set AM to INT	Same signal level on both sides of C4 and C5	----
	Set RANGE to 4-8 MHz	Signal level differs across C5 (i.e., no signal at Q7-e)	Check C5, Q7, Q9 and associated circuitry
	Set RANGE to 1-2 MHz	Signal level differs across C4 (i.e., no signal at Q6-e)	Check C4, Q6, Q8, VR2 and associated circuitry
	Set AM to PULSE C6 (i.e., no signal at	Signal level differs across associated circuitry Q5-e)	Check Q5-9, VR1, and

CHANGE 13 (Cont'd)

Service Sheet 13 (component locations):
Replace Figure 8-43 with the attached figure:

A26A1

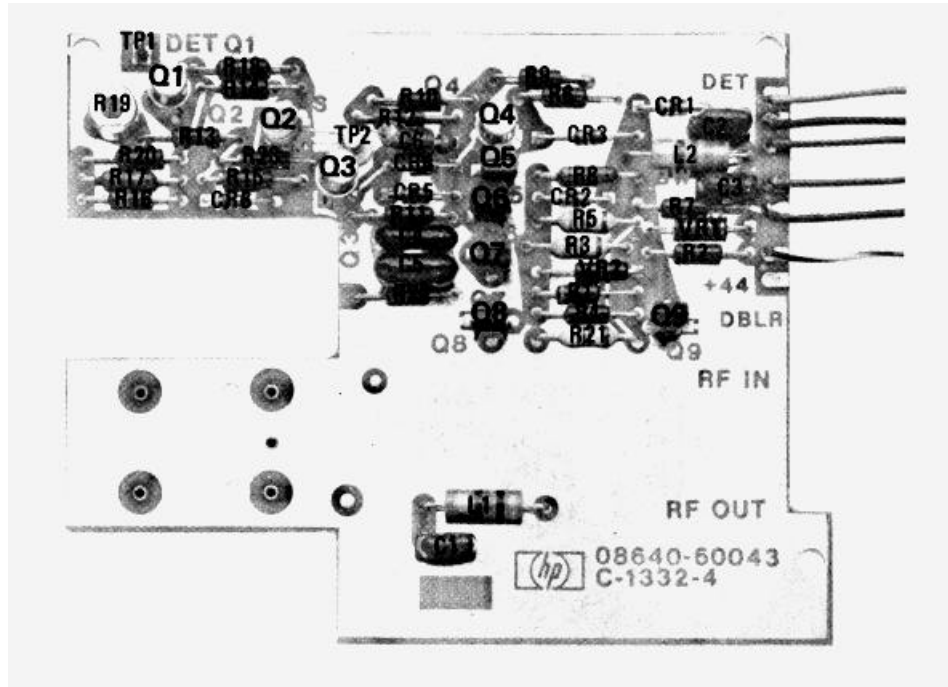
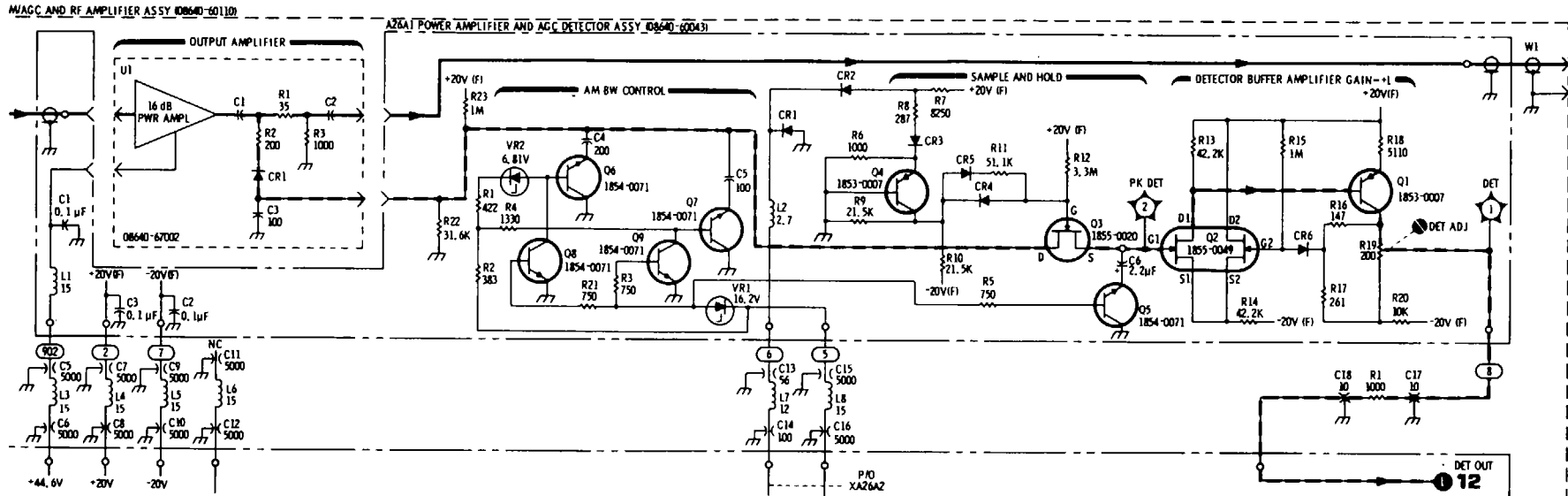


Figure 8-43. A26A1 Power Amplifier and AGC Detector Assembly Component Locations (P/O Change 13)

Service Sheet 13 (schematic):
Replace appropriate portion of schematic with the attached partial schematic.

CHANGE 13 (Cont'd)



P/O Figure 8-45. RF Amplifier, Pulse Switching, and Step Attenuator Schematic Diagram (P/O Change 13)

CHANGE 14

Page 6-7, Table 6-3:

Change A3A4R1 to 2100-3054 RESISTOR; VAR; TRMR 50K OHM 10% C SIDE ADJ.
Delete A3A4R6.

Service Sheet 5 (schematic):

Change A3A4R1 to 50K.
Delete A3A4R6 and connect A3A4R1 to PC board connector pin 5.

CHANGE 15

NOTE

See paragraph 7-90 for recommended instrument modifications.

Page 1-6, paragraph 1-63:

Delete "1A Fuse (HP 2110-0001)."
Add "1.25A Fuse (HP 2110-0094)."

Page 6-29, Table 6-3:

Change A14MP1 to 7120-4264 LABEL: INFO: 200VA 2A 1.25A.

Page 6-38, Table 6-3:

Change F1 2110-0001 to F1 2110-0094 FUSE 1.25A 250V.

Service Sheet 22 (schematic):

Change Note 2 as follows:
"... AND 1.25 AMP FOR 220/240V."

CHANGE 16

Page 1-9, Table 1-1:

Add a footnote to **Restabilization Time: After 1 min in RF OFF Mode** to read, "These specifications apply only if the RF ON/OFF switch has been wired to turn the RF Oscillator off."

Pages 4-5 and 4-6, paragraph 4-13:

Under SPECIFICATION, add a footnote to "Restabilization Time (normal mode) after 1 min. in RF OFF mode" to read, "This specification applies only if the RF ON/OFF switch has been wired to turn the RF Oscillator off."

Add a note to step 7 to read, "The first 10 minute wait applies only to instruments which have been wired to turn the RF Oscillator off."

Page 4-75, paragraph 4-45:

Under SPECIFICATION, add a footnote to "Restabilization Time (phase locked mode) after 1 min. in RF OFF mode" to read, "This specification applies only if the RF ON/OFF switch has been wired to turn the RF Oscillator off."

CHANGE 16 (Cont'd)

Service Sheet 5 (RF ON/OFF Switch Modification):

Change to read as follows:

RF ON/OFF switch S2 (see Service Sheet 15) is normally wired to leave the RF Oscillator on while switching only the modulator off (see Service Sheet 12). This allows the RF Oscillator to remain warmed up, the Auxiliary RF Output to remain on, and the counter and phase lock to remain operating. The RF, however, is not truly "off" but is reduced by an amount equal to the pulse on/off ratio (at least 40 dB down, and dependent upon OUTPUT LEVEL Vernier setting).

For some applications it may be desirable to modify the switch to turn both the modulator and the RF Oscillator off. To modify the RF ON/OFF switch, proceed as follows:

1. Remove bottom cover (see Service Sheet F).
2. Remove two nuts that secure Connector Board Assembly A3A4, and remove the board. The board is located directly behind RANGE switch cam housing.
3. Remove the jumper wire between the two holes labeled "RF OSC ON/OFF INHIBIT".
4. Reinstall board and bottom cover.
5. Check RF ON/OFF operation by observing the counter or Auxiliary RF Output, which should stop operating with RF ON/OFF switched to OFF.

Service Sheet 15 (Principles of Operation):

Change the **RF On/Off Switch** paragraph to read as follows:

RF ON/OFF switch S2 normally turns off only the amplitude modulator (by switching off the modulator drive current).

If it is desirable to switch both the modulator and the RF Oscillator off (by also interrupting the +20V supply to the oscillator) the RF ON/OFF function may be easily modified. See Service Sheet 5 for modification instructions.

CHANGE 17

Page 6-23, Table 6-3:

Change A10A2U14 to 1820-1354.

Service Sheet 11 (schematic):

Change part number for A10A2U14 to 1820-1354.

CHANGE 18

Page 1-2, paragraph 1-20:

Change the last sentence as follows:

". . tuning range of 1000 ppm for precision frequency setting."

Page 1-8, Table 1-1:

Change FINE TUNING specification as follows:

Unlocked mode: >1000 ppm total range.

Pages 4-3 to 4-5, paragraph 4-12:

Change SPECIFICATION as follows:

Fine Tuning: Unlocked, >1000 ppm total range.

Change step 8 to read as follows:

Set FINE TUNE fully cw. Note frequency counter reading, then set FINE TUNE fully ccw. The frequency counter should read 50 kHz (1000 ppm) lower than the reading noted above.

50 kHz _____

Page 4-77, Table 4-1:

Under paragraph 4-12, change FINE TUNE 10 kHz to FINE TUNE 50 kHz.

Page 6-2, Table 6-1:

Change A3 as follows:

Part Number

New Assy: 08640-60099.

Page 6-6, Table 6-3:

Change A3 08640-60100 to A3 08640-60099.

Change A3MP8 to 0510-0015.

Change A3MP13 to 08640-20193.

Add A3MP17 08640-60206 FINE TUNE ASSEMBLY.

Add A3MP18 08640-00085 GASKET, RFI.

Add A3MP19 08640-00086 LABEL.

Add A3MP20 2200-0151 SCREWS, PAN HEAD 4-40 x 0.75 INCH.

Page 6-38, Table 6-3:

Change MP8 to 0370-2623.

CHANGE 19

Page 6-2, Table 6-1:

Change A8A2 as follows:

Part Number

New Assy: 08640-60189.

Page 6-8, Table 6-3:

Change A4C1 to 0140-0191 CAPACITOR: FXD 56 PF + 5% 300 WVDC MICA.

Change A4C3 and A4C4 to 0180-0116 CAPACITOR: FXD 6.8 UF +10% 35 VDC TA.

Delete A4CR1.

Change A4R3 to 0757-0449 RESISTOR 20K 1% 0.125W F TUBULAR.

Change A4R5 to 0698-3243 RESISTOR 178K 1% 0.125W F TUBULAR.

Add A4R23 0757-0418 RESISTOR 619 OHM 1% 0.125W F TUBULAR.

Add A4R24 0757-1094 RESISTOR 1.47K 1% 0.125W F TUBULAR.

CHANGE 19 (Cont'd)

Page 6-13, Table 6-3:

Change A8A2 08640-60027 to A8A2 08640-60189.

Page 6-23, Table 6-3:

Change A10A2U5 to 1820-0143 IC DGTL MC 1027P J-K FLIP-FLOP.

Delete A1A2XA10A2U5 and A10A2XA10A2U9.

Page 6-28, Table 6-3:

Add A12C6 0180-0197 CAPACITOR: FXD: 2.2 UF +10% 20 VDC TA.

Add A12CR21 1901-0418 DIODE: PWR RECT: SI: 400V MAX VRM 1.5A.

Add A12Q1 1884-0239 THYRISTOR: SCR.

Add A12R1 and A12R2 0698-3447 RESISTOR 422 OHM 1% 0.125W F TUBULAR.

Add A12VR1 1902-3393 DIODE ZNR 75V 5% DO-7 PD = 0.4W TC = +0.077%.

Page 6-37, Table 6-3:

Change A26A4R34 and R35 to 0683-1055 RESISTOR, 1M 5% 0.25W CC TUBULAR.

Service Sheet 11 (schematic):

Change part number for A10A2U5 to 1820-0143.

Service Sheet 12 (schematic):

Change A26A4R34 and R35 to 1MQ.

Service Sheet 17 (component locations):

Replace Figure 8-52 with the attached figure.

A4

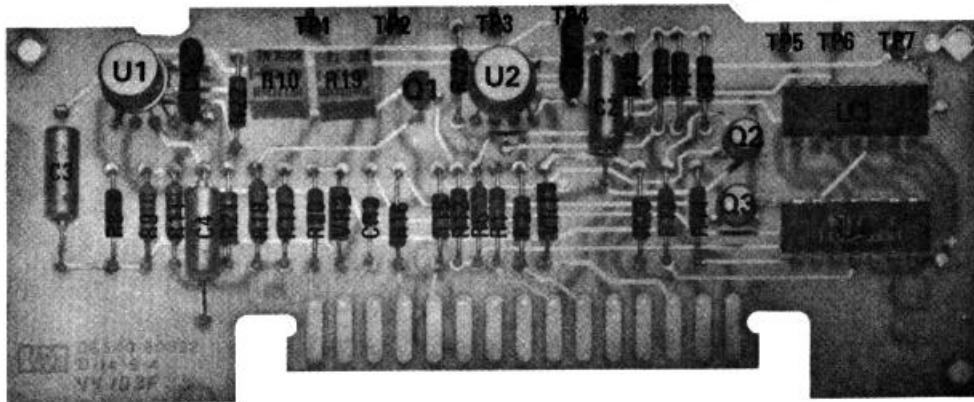
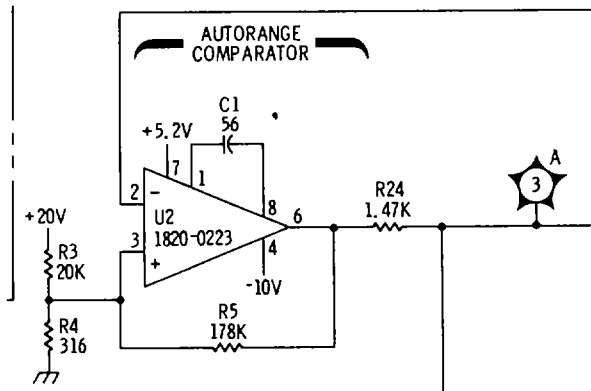


Figure 8-52. A4 Meter/Annunciator Drive Assembly Component Locations (P/O Change 19)

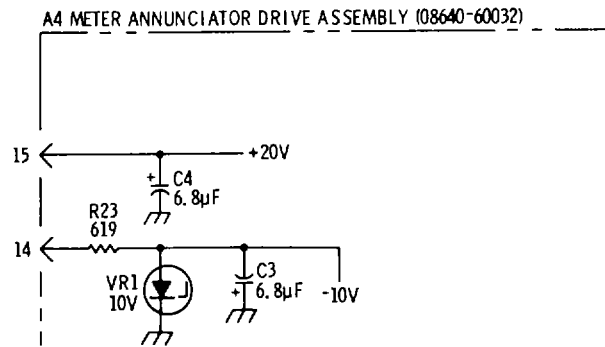
CHANGE 19 (Cont'd)

Service Sheet 17 (schematic):

Replace appropriate portions of schematic with the attached partial schematics.



P/O Figure 8-54. Meter Circuits Schematic Diagram (P/O Change 19, 1 of 2)



P/O Figure 8-54. Meter Circuits Schematic Diagram (P/O Change 19, 2 of 2)

CHANGE 19 (Cont'd)

Service Sheet 20 (component Locations):
Replace Figure 8-61 with attached figure.

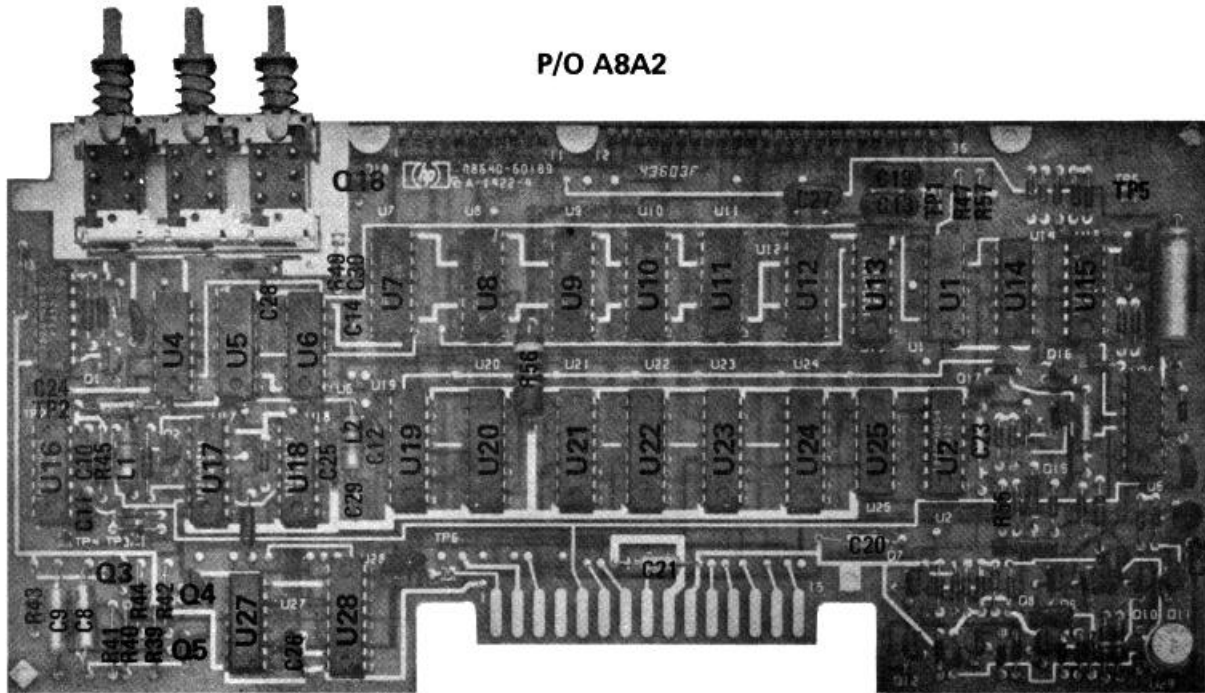


Figure 8-61. P/O A8A2 Counter/Loch Board Assembly Component Locations (P/O Change 19)

Service Sheet 20 (schematic):
Change part number for A8A2 subassembly to 08640-60189.

CHANGE 19 (Cont'd)

Service Sheet 21 (component locations):
 Replace Figure 8-63 with attached figure.

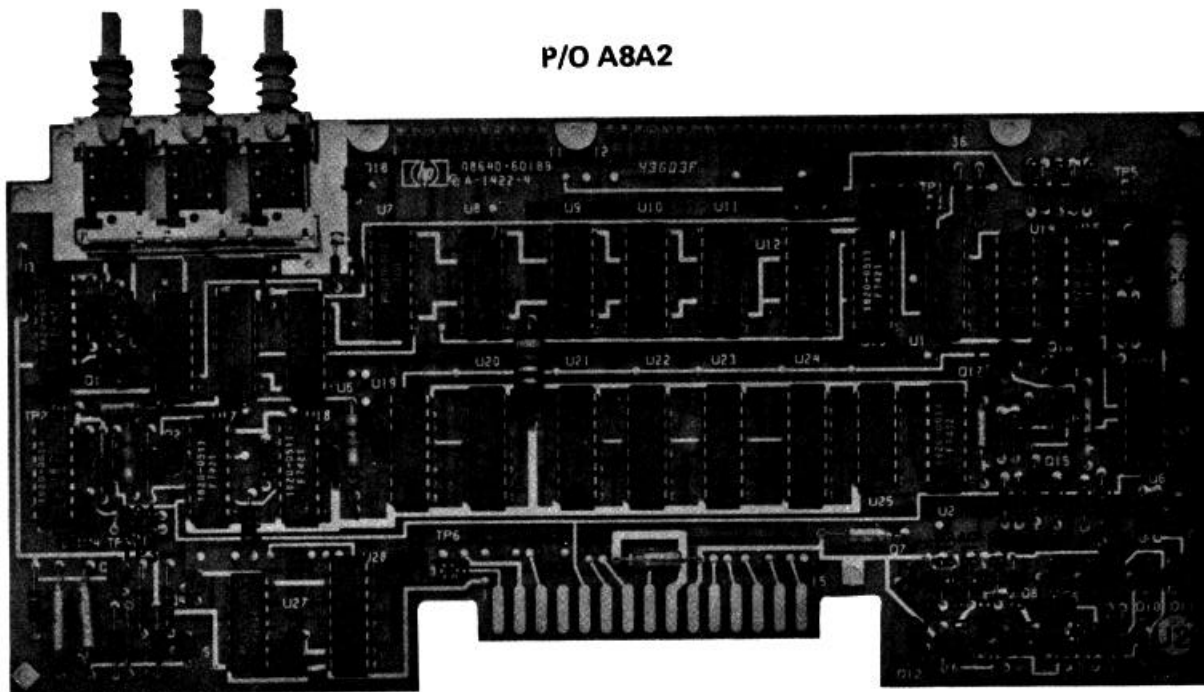


Figure 8-63. P/O A8A2 Counter/Lock Board Assembly Component Locations (P/O Change 19)

Service Sheet 21 (schematic):
 Change part number for A8A2 subassembly to 08640-60189.

Service Sheet 22 (Principles of Operation):
 Change the second paragraph under **Input Voltage (A12 and A14)** to read as follows:
 The A12 Rectifier Assembly contains five full-wave rectifiers and a crowbar to protect the instrument from excessively high line voltages. The crowbar is across the output of the rectifier bridge to the +44.6V regulator. If the rectified voltage exceeds 75V, breakdown diode A12VR1 conducts and triggers the gate of SCR A12Q1. Q1 then conducts and blows the primary fuse. Diode A12CR21 prevents filter capacitor C3 from discharging through the crowbar when the crowbar conducts.

CHANGE 19 (Cont'd)

Service Sheet 22 (component locations):
 Replace Figure 8-66 with the attached figure.

A12

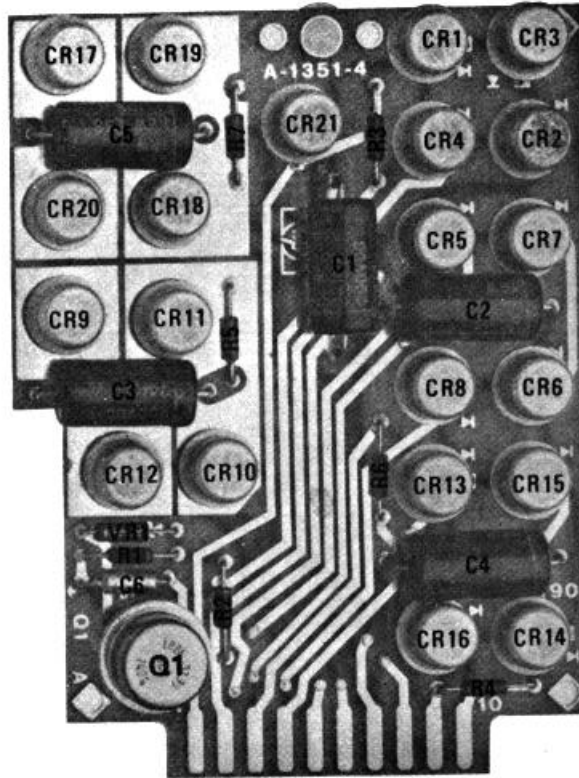
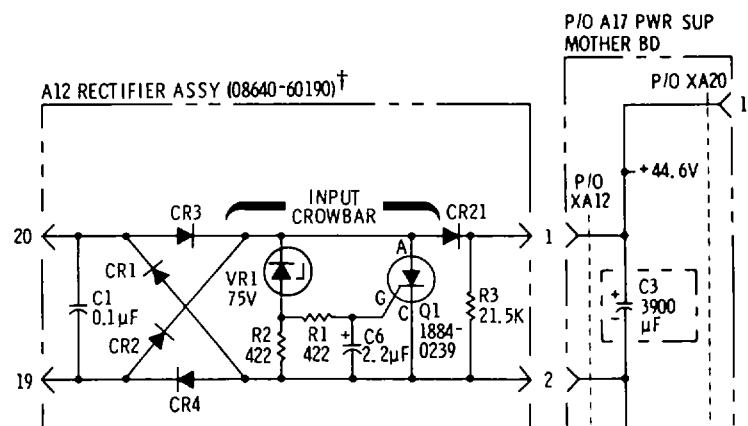


Figure 8-66. A12 Rectifier Assembly Component Locations (P/O Change 19)

Service Sheet 22 (schematic):
 Replace appropriate portion of schematic with the attached partial schematic.



P/O Figure 8-69. Power Supply Circuits Schematic Diagram (P/O Change 19)

CHANGE 20

Page 6-7, Table 6-3:

Add A3A4C3 and A3A4C4 0180-0116 CAPACITOR, FXD, 6.8 UF ± 10%.

Add A3A4L1 and A3A4L2 9100-1664 COIL, FXD, MOLDED RF CHOKE 3 mH, 5%.

Page 6-25, Table 6-3:

Add A11C24 0140-0145 CAPACITOR - FXD 22PF ± 5% 500 WVDC MICA.

Page 6-35, Table 6-3:

Change A26A4CR7, CR8, CR9, and CR13 to 1901-0518 DIODE, SCHOTTKY, HOT CARRIER.

Page 6-36, Table 6-3:

Change A26A4R2 to 2100-2489 RESISTOR, VAR 5000 OHM 10%.

Page 6-39, Table 6-3:

Add MP7 2 7120-4294, LABEL, WARNING.

Service Sheet 5 (component locations):

Replace Figure 8-20 with the attached figure.

P/O A3A4

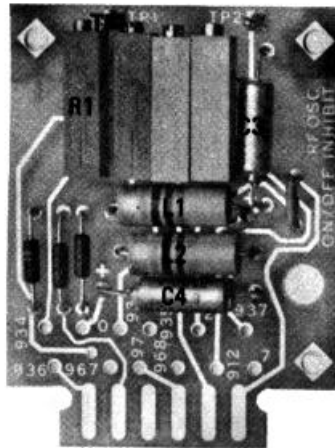
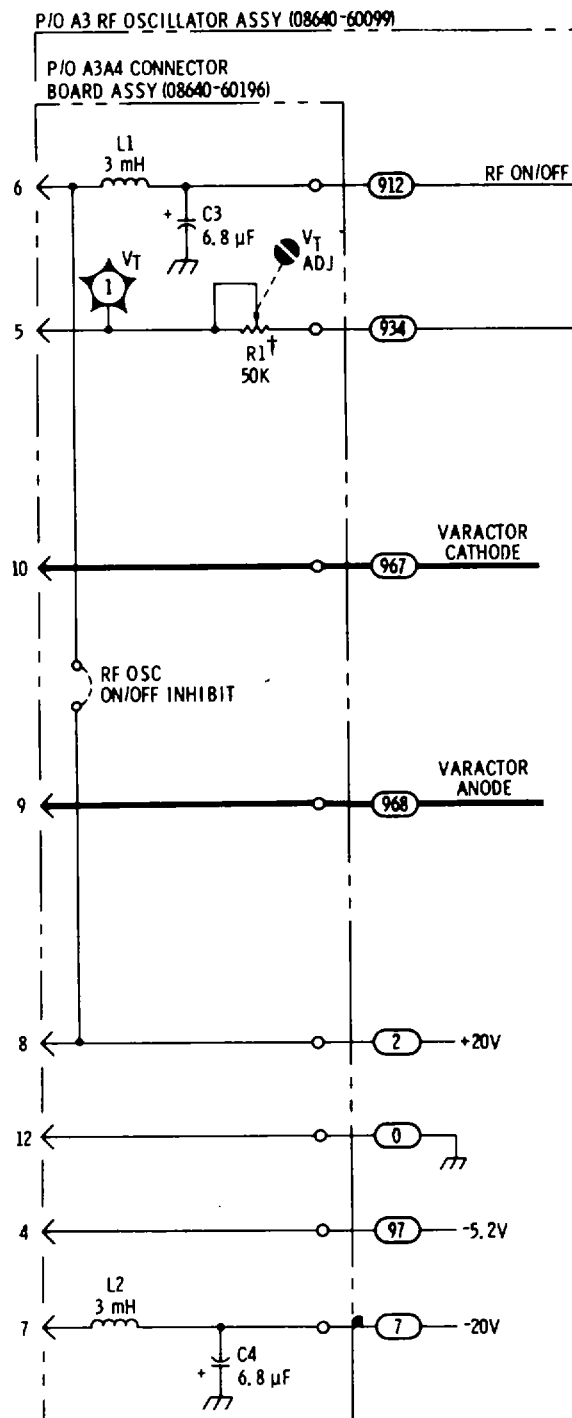


Figure 8-20. P/O A3A4 Connector Board Assembly Component Locations (P/O Change 20)

CHANGE 20 (Cont'd)

Service Sheet 5 (schematic):

Replace appropriate portion of schematic with attached partial schematic.



P/O Figure 8-21. RF Oscillator Simplified Diagram (P/O Change 20)

CHANGE 20 (Cont'd)

Service Sheet 6 (component locations):

Replace Figure 8-22 with the attached figure.

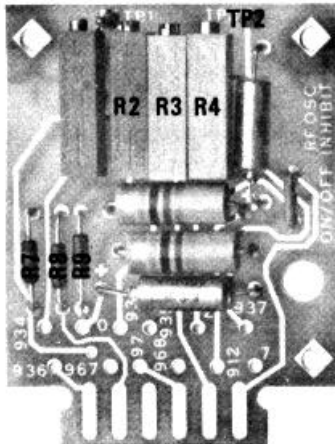
P/O A3A4

Figure 8-22. P/O A 3A4 Connector Board Assembly Component Locations (P/O Change 20)

Service Sheet 9A (schematic):

Add a 22 pF capacitor, A11C24, parallel to A11R36.

Service Sheet 12 (schematic):

Change A26A4R2 to 5000w.

CHANGE 21

Page 6-39, Table 6-3:

Add MP75 08640-00096 INSULATOR, COUNTER HEAT SINK.

CHANGE 22

Page 6-34, Table 6-3:

Delete A26A2CR5.

Service Sheet 13 (schematic):

Delete diode A26A2CR5. Connect pin 10 directly to pin 19.

CHANGE 23

Page 6-36, Table 6-3:

Change A26A3R1 to 0698-7227 RESISTOR, FXD, 422 OHM 1% 0.125W F.

Service Sheet 12 (schematic):

Change A26A3R1 to 4222.

CHANGE 24

Page 5-35/5-36:

Add the attached paragraph 5-42.

5-42. PHASE LOCK ERROR VOLTAGE ADJUSTMENT

REFERENCE:

Service Sheet 21.

DESCRIPTION:

When the instrument is operating in the normal count mode, a nominal mid-range (phase lock error) voltage should exist at test point A8A2TP6. A mid-range voltage ensures that the generator will maintain phase lock when the oscillator shifts up or down in frequency.

EQUIPMENT:

Digital Voltmeter..... HP 3480B/3484A

PROCEDURE:

- 1. Set Signal Generator's controls as follows:

COUNTER MODE: LOCK Off

- 2. Connect one lead of the voltmeter to testpoint A8A2TP6 and the other lead to ground. Adjust potentiometer A8A2R58 for a voltmeter reading of +11.5 + 1.OVdc.

Page 6-2, Table 6-1:

Change A8A2 as follows:

Part Number

New Assy: 08640-60258.

Page 6-13, Table 6-3:

Change A8A2 08640-60189 to 08640-60258.

Page 6-14, Table 6-3:

Delete A8A2C27, C28, C29 and C30.

Change A8A2R28 to 0698-7258 RESISTOR; FXD; 8.25K 2% 0.05W F TUBULAR.

Page 6-15, Table 6-3:

Add A8A2R58 2100-2497 RESISTOR, VAR., TRMR, 2K OHM 10% C TOP ADJ.

Service Sheet 20 (component locations):

Replace Figure 8-61 with attached figure.

CHANGE 24 (cont'd)

P/O A8A2

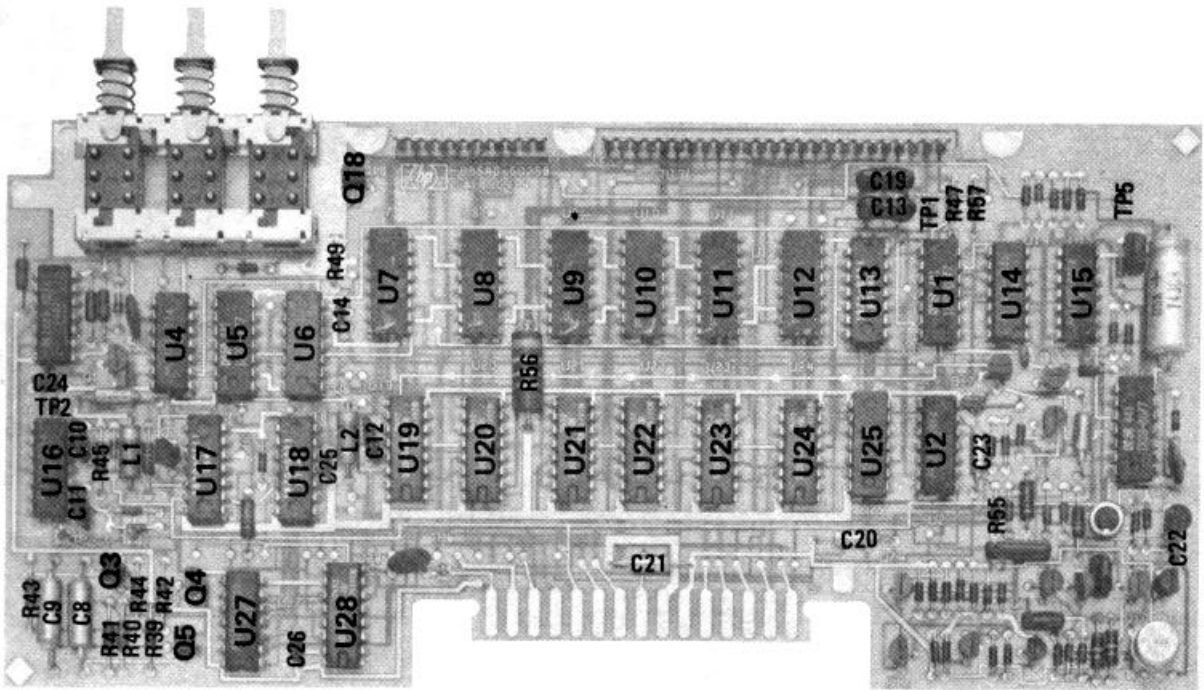
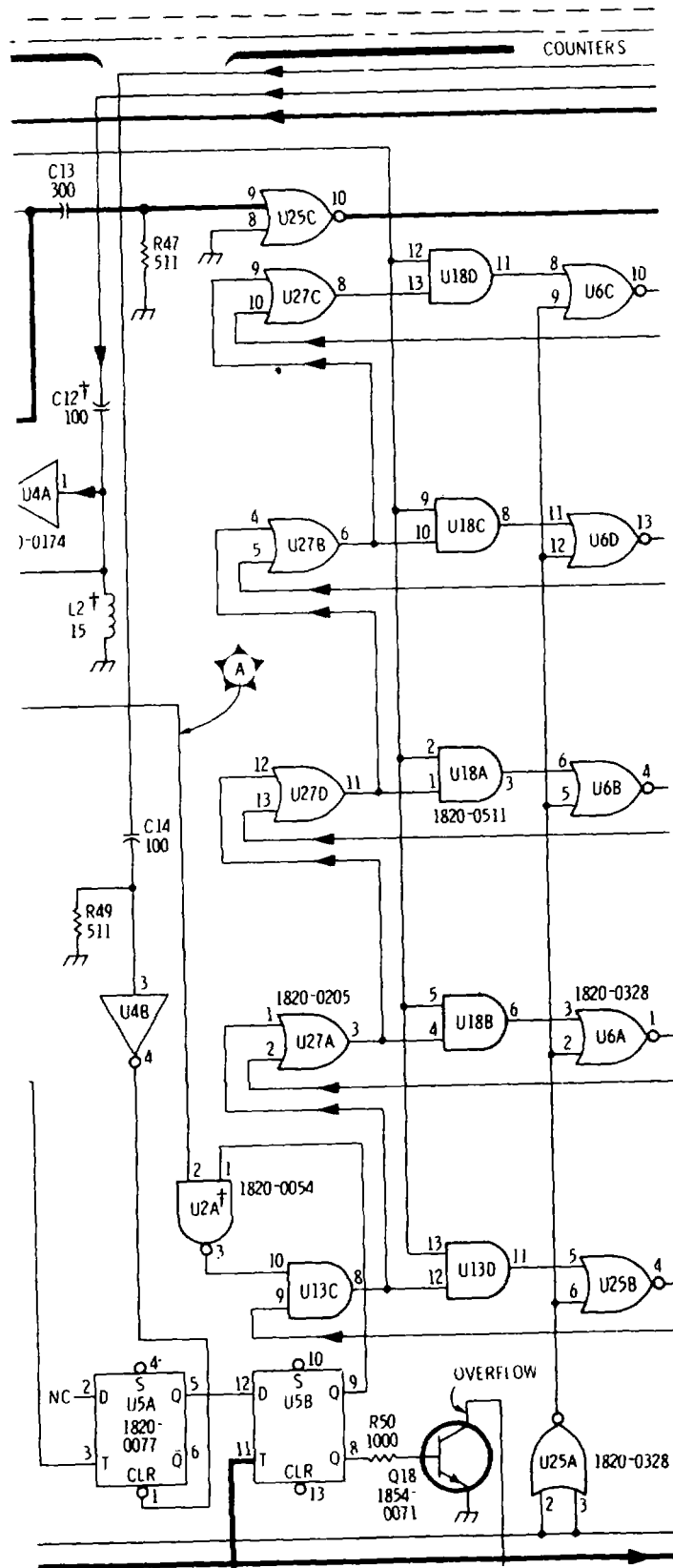


Figure 8-61. P/O A8A2 Counter/Lock Board Assembly Component Locations (P/O Change 24)

Service Sheet 20 (schematic):

Change part number of A8A2 subassembly to 08640-60258. Replace appropriate portion of Figure 8-62 with attached partial schematic.

CHANGE 24 (cont'd)



P/O Figure 8-62. Up/Down Counter and Display Schematic Diagram (P/O Change 24)

CHANGE 24 (cont'd)

Service Sheet 21 (component locations):
 Replace Figure 8-63 with attached figure.

P/O A8A2

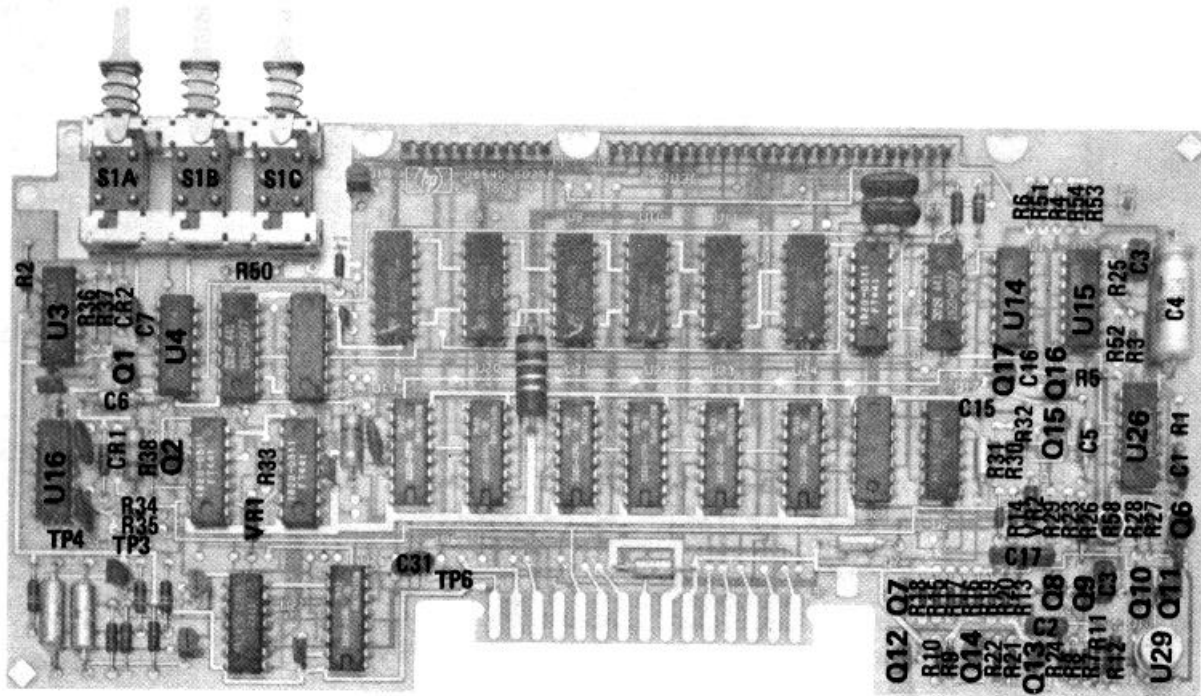
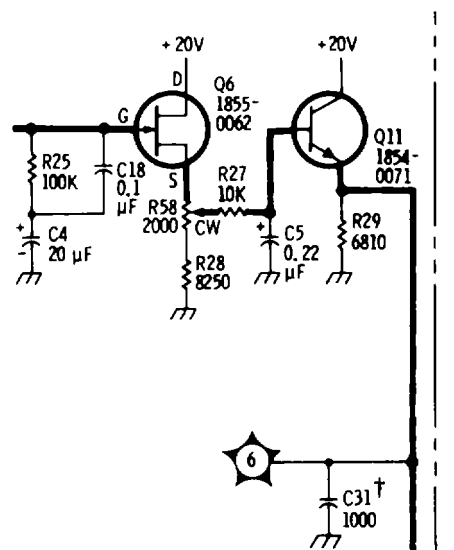


Figure 8-63. P/O A8A2 Counter/Lock Board Assembly Component Locations (P/O Change 24)

Service Sheet 21 (schematic):
 Change part number of A8A2 subassembly to 08640-60258.
 Replace appropriate portion of Figure 8-64 with attached partial schematic.



P/O Figure 8-64. Counter Phase Lock Schematic Diagram (P/O Change 24)

CHANGE 25

Page 5-2, paragraph 5-21:

Change paragraph e to read as follows:

- e. **A9A1A2C6, C7 and C8.** If the A9A1A2 FM Gain Switch Board Assembly has been replaced or repaired, measure the 3 dB bandwidth at A7TP3 with an oscilloscope on the following RF frequency ranges while driving the FM INPUT connector with an external test oscillator. Change the corresponding capacitor, if necessary, for best flatness (less than 3 dB down at 250 kHz rate). Increase capacitance to decrease deviation (250 kHz rate).

FREQUENCY RANGE (MHz)	PEAK DEVIATION Range	Capacitor
512 - 1024	5 kHz	A9A1A2C8
256 - 512	5 kHz	A9A1A2C7
128- 256	5 kHz	A9A1A2C6

NOTE

Changing any capacitor will likely affect flatness on other ranges.

Page 5-2, Table 5-1:

Delete A9C8 (see Change 1).

Add the following:

Component	Service Sheet	Range of Values	Basis of Selection
A9A1A2C6	6	0 - 56 pF	See paragraph 5-21
A9A1A2C7	6	500 - 900 pF	
A9A1A2C8	6	750 - 2000 pF	

Page 6-17 and 6-18, Table 6-3:

Replace the entire A9 assembly parts list with the following list.

A9	-----	PEAK DEVIATION AND RANGE SWITCH ASSEMBLY
A9A1	08640-60179	SWITCH ASSEMBLY
A9A1MP1	0380-0013	SPACER, 1.0 LONG
A9A1MP2	0380-0013	SPACER, 1.0 LONG
A9A1MP3	0510-0005	RING, RETAINER 1/4 DIA
A9A1MP4	0510-0005	RING, RETAINER 1/4 DIA
A9A1MP5	0510-0005	RING, RETAINER 1/4 DIA
A9A1MP6	0510-0015	RING, RETAINER EXT
A9A1MP7	0510-0052	RING, EXT 0.125 DIA
A9A1MP8	0510-0052	RING, EXT 0.125 DIA
A9A1MP9	1430-0759	GEAR, SPUR
A9A1MP10	1430-0772	GEAR, PLANET
A9A1MP11	1430-0772	GEAR, PLANET
A9A1MP12	1430-0773	GEAR, COMBINATION
A9A1MP13	1430-0774	GEAR, COMBINATION
A9A1MP14	1460-0019	SPRING, COMPRESSION

CHANGE 25 (Cont'd)

A9A1MP15	1460-0019	SPRING, COMPRESSION
A9A1MP16	1460-0019	SPRING, COMPRESSION
A9A1MP17	2190-0390	WASHER, FLAT NON-METALIC
A9A1MP18	3050-0103	WASHER, FLAT
A9A1MP19	3050-0103	WASHER, FLAT
A9A1MP20	3050-0103	WASHER, FLAT
A9A1MP21	3130-0503	SHAFT, INDEX ASSY
A9A1MP22	3130-0504	SHAFT, INDEX ASSY
A9A1MP23	08640-00091	MOUNTING PLATE, DETENTS
A9A1MP24	08640-00092	MOUNTING PLATE, GEARS
A9A1MP25	08640-00093	MOUNTING PLATE, POT
A9A1MP26	08640-00098	BOARD, SUPPORT
A9A1MP27	08640-20241	BUSHING, PLASTIC
A9A1MP28	08640-20242	SHAFT, FM GAIN SWITCH
A9A1MP29	08640-20248	SWITCH ROTOR, 4 CONTACT (P/O A9A1A2S1)
A9A1MP30	08640-20249	SWITCH ROTOR, 3 CONTACT (P/O A9A1A1S2)
A9A1MP31	08640-20250	SWITCH ROTOR, 2 CONTACT (P/O A9A1A1S1)
A9A1MP32	2360-0220	SCREW, 6-32 x 2.25
A9A1MP33	2360-0123	SCREW, 6-32 x 6.25 W/LOCK
A9A1MP34	2260-0009	NUT, 4-40 W/LOCK
A9A1MP35	0520-0173	SCREW, 2-56 x 0.25 W/LOCK
A9A1MP36	2360-0135	SCREW, 6-32 x 1-50
A9A1MP37	2200-0107	SCREW, 4-40 x 0.312 W/LOCK
A9A1MP38	2360-0129	SCREW, 6-32 x 1.000 LG
A9A1MP39	2190-0006	WASHER, SPLIT LOCK
A9A1MP40	2950-0006	NUT, 1/4 - 32
A9A1MP41	2190-0027	WASHER, LOCK INT STAR
A9A1R1	2100-3435	RESISTOR, VAR 2.5K OHM
A9A1W1	08640-60197	CABLE ASSEMBLY, OOAX
A9A1A1	08640-60253	PEAK DEVIATION BAND SWITCH BOARD ASSEMBLY (DOES NOT INCLUDE ROTORS A9A1MP31 and A9A1MP30, P/O S1 AND S2)
A9A1A1R1	0698-8299	RESISTOR, FXD 4.259K OHM
A9A1A1R2	0698-8298	RESISTOR, FXD 1.071K OHM
A9A1A1R3	0698-8297	RESISTOR, FXD 1.284K OHM
A9A1A1R4	0757-0398	RESISTOR, FXD 75 OHM 1%
A9A1A1R5	0698-829,6	RESISTOR, FXD 1.493K OHM
A9A1A1R6	0757-0399	RESISTOR, FXD 82.5 OHM 1%
A9A1A1R7	0698-8295	RESISTOR, FXD 1.556K OHM
A9A1A1R8	0757-0400	RESISTOR, FXD 90.9 OHM 1%
A9A1A1R9	0757-0400	RESISTOR, FXD 90.9 OHM 1%
A9A1A1S1	-----	NSR, INCLUDES PRINTED CIRCUIT TRACES AND ROTOR
A9A1MP31		
A9A1A1S2	-----	NSR, INCLUDES PRINTED CIRCUIT TRACES AND ROTOR
A9A1MP30		

CHANGE 25 (Cont'd)

A9A1A2	08640-60254	FM GAIN SWITCH BOARD ASSEMBLY (DOES NOT INCLUDE ROTOR A9AIMP29, P/O S1)
A9A1A2C1	0140-0191	CAPACITOR, FXD 56 PF 300V
A9A1A2C2	0140-0191	CAPACITOR, FXD 56 PF 300V
A9A1A2C3	0140-0191	CAPACITOR, FXD 56 PF 300V
A9A1A2C4	0140-0191	CAPACITOR, FXD 56 PF 300V
A9A1A2C5	0140-0191	CAPACITOR, FXD 56 PF 300V
A9A1A2C6	0160-2204	CAPACITOR, FXD 100 PF 300V (SELECTED COMPONENT)
A9A1A2C7	0160-3537	CAPACITOR, FXD 680 PF 300V (SELECTED COMPONENT)
A9A1A2C8	0160-2222	CAPACITOR, FXD 1500 PF 300V (SELECTED COMPONENT)
A9A1A2C9	0160-2204	CAPACITOR, FXD 100 PF 300V
A9A1A2R1	0757-0280	RESISTOR, FXD 1K OHM
A9A1A2R2	0757-0278	RESISTOR, FXD 1.78K OHM
A9A1A2R3	0757-0274	RESISTOR, FXD 1.21K OHM
A9A1A2R4	0757-0416	RESISTOR, FXD 511 OHM
A9A1A2R5	0698-0082	RESISTOR, FXD 464 OHM
A9A1A2R6	0757-0280	RESISTOR, FXD 1K OHM
A9A1A2R7	0698-7799	RESISTOR, FXD 2K OHM
A9A1A2R8	0698-5669	RESISTOR, FXD 1.5K OHM
A9A1A2R9	0698-8212	RESISTOR, FXD 6K OHM
A9A1A2R10	0698-5669	RESISTOR, FXD 1.5K OHM
A9A1A2R11	0698-8213	RESISTOR, FXD 3K OHM
A9A1A2R12	0698-5669	RESISTOR, FXD 1.5K OHM
A9A1A2R13	0698-8213	RESISTOR, FXD 3K OHM
A9A1A2R14	0757-0280	RESISTOR, FXD 1K OHM
A9A1A2R15	0698-5669	RESISTOR, FXD 1.5K OHM
A9A1A2R16	0698-8213	RESISTOR, FXD 3K OHM
A9A1A2R17	0698-5669	RESISTOR, FXD 1.5K OHM
A9A1A2R18	06988213	RESISTOR, FXD 3K OHM
A9A1A2R19	0698-5669	RESISTOR, FXD 1.5K OHM
A9A1A2R20	0757-0447	RESISTOR, FXD 16.2K OHM
A9A1A2S1	-----	NSR, INCLUDES PRINTED CIRCUIT TRACES AND ROTOR
A9A1MP29		
A9A2	08640-60256	INTERCONNECT ASSEMBLY
A9A2P1	1251-1959	CONNECTOR, PC EDGE
	08640-00101	LABEL
	08640-20256	BOARD, CONNECTOR

CHANGE 25 (Cont'd)

A9A2W1	08640-60198 1251-2615 8120-1711	CABLE, RIBBON 5.45 (INCLUDES THE FOLLOWING ITEMS) CONNECTOR, RIBBON CBL, 2 EACH CABLE 16 COND 28 GAUGE
A9A2W2	08640-60199 1251-2615 8120-1711	CABLE, RIBBON, 7.50 (INCLUDES THE FOLLOWING ITEMS) CONNECTOR, RIBBON CBL, 2 EACH CABLE 16 COND 28 GAUGE
A9A2A1	08640-60255	INTERCONNECT BOARD ASSEMBLY (INCLUDES A9A2W1 and A9A2W2)
A9A2A1J1	1250-0507	SOCKET, DIP 16-PIN
A9A2A1J2	1250-0507	SOCKET, DIP 16-PIN
A9A2A1P1	1251-1626	CONNECTOR, PC 24 CONT
A9A2A1P2	1251-0472	CONNECTOR, PC 12 CONT

Page 6-39, Table 6-3:

Add MP82 08640-00037 INSULATOR, BOTTOM COVER.

Change W4 to 08640-60180.

Service Sheet 6 (component locations):

Replace Figure 8-23 (1 of 2, and 2 of 2) with the attached Figures 8-23A and 8-23B.

Service Sheet 6 (schematic):

Replace appropriate portions of schematic with attached partial schematics (P/O Figure 8-25, 1 of 2 and 2 of 2).

Service Sheet 7 (schematic):

Replace appropriate portion of schematic with attached partial schematic (P/O Figure 8-27).

Service Sheet 8 (component locations):

Replace Figure 8-29 (1 of 2, and 2 of 2) with the attached Figures 8-29A and 8-29B.

Service Sheet 8 (schematic):

Replace appropriate portion of schematic with attached partial schematic (P/O Figure 8-31).

Service Sheet 15 (schematic):

Replace appropriate portion of schematic with attached partial schematic (P/O Figure 8-48).

Service Sheet 19 (schematic):

Replace appropriate portion of schematic with attached partial schematic (P/O Figure 8-59).

Service Sheet 25 (wiring diagram):

Change A9P1 to A9A2P1.

Delete all wire color codes leading away from A9A2P1.

Change description at Pin 24 to read "NON-FUNCTIONING LINE".

Service Sheet C (Illustrated Parts Breakdown):

Replace Figure 8-78 and associated text with attached figure and text.

CHANGE 25 (Cont'd)

A9A1A2

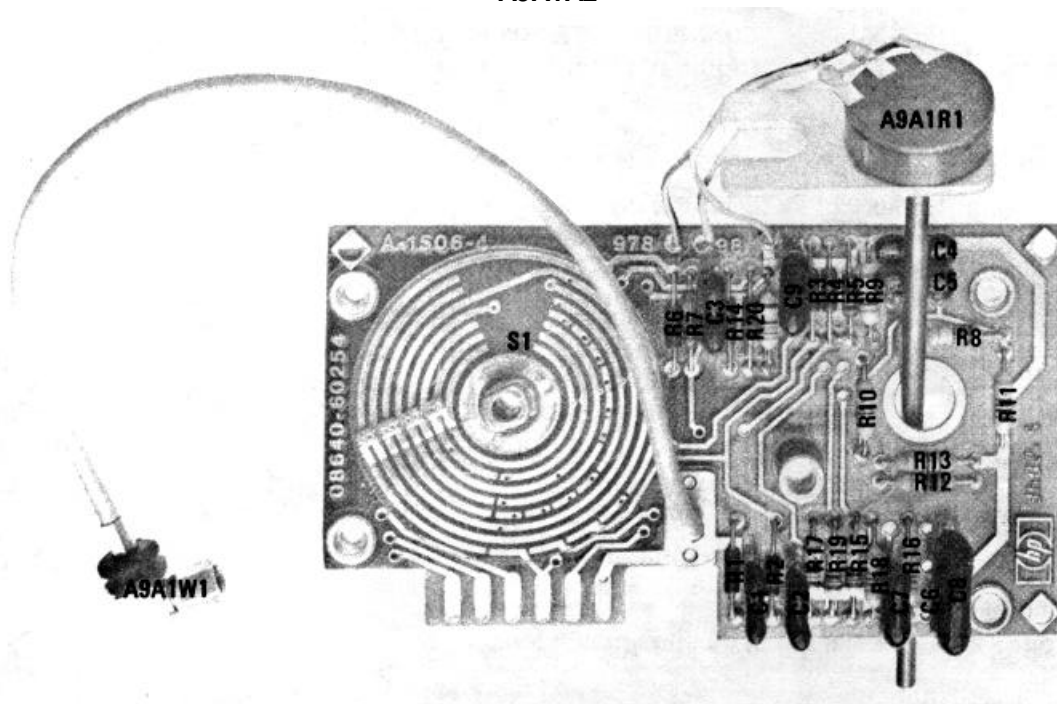


Figure 8-23A. A9A1A2 FM Gain Switch Board Assembly
Component Locations (P/O Change 25)

CHANGE 25 (Cont'd)

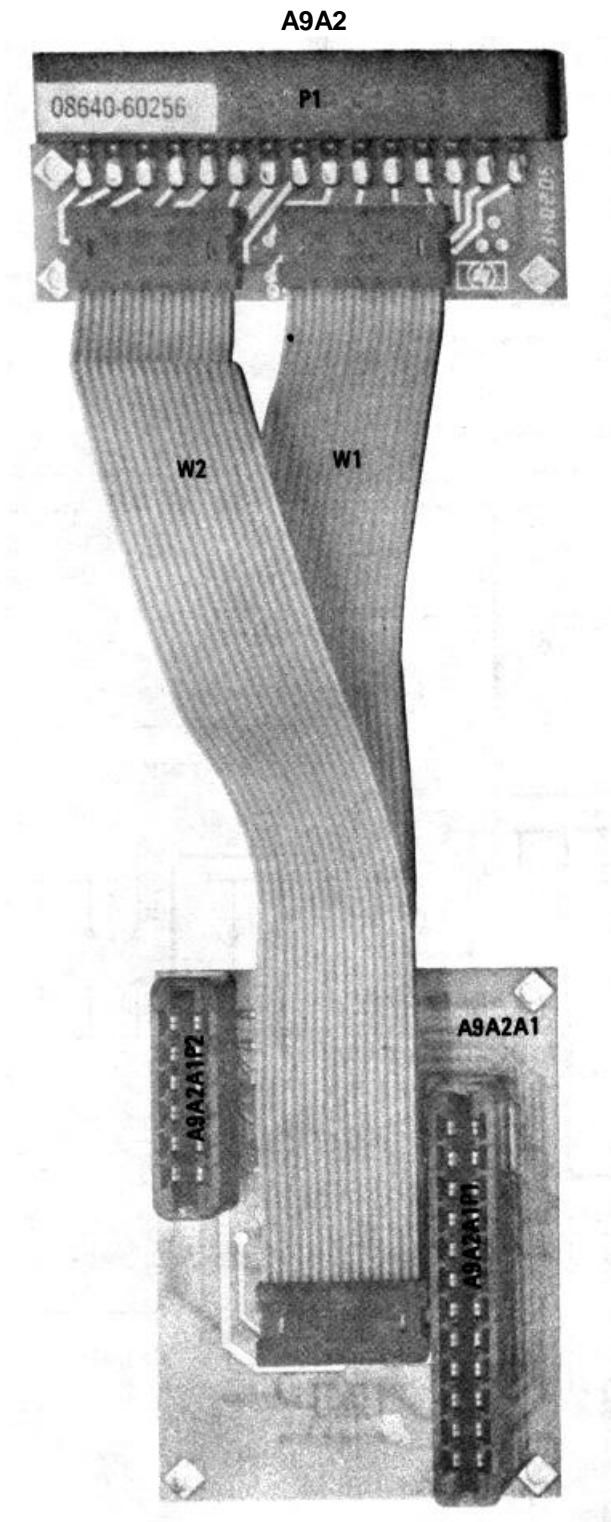


Figure 8-23B. A9A2 Interconnect Assembly
Component Locations (P/O Change 25)

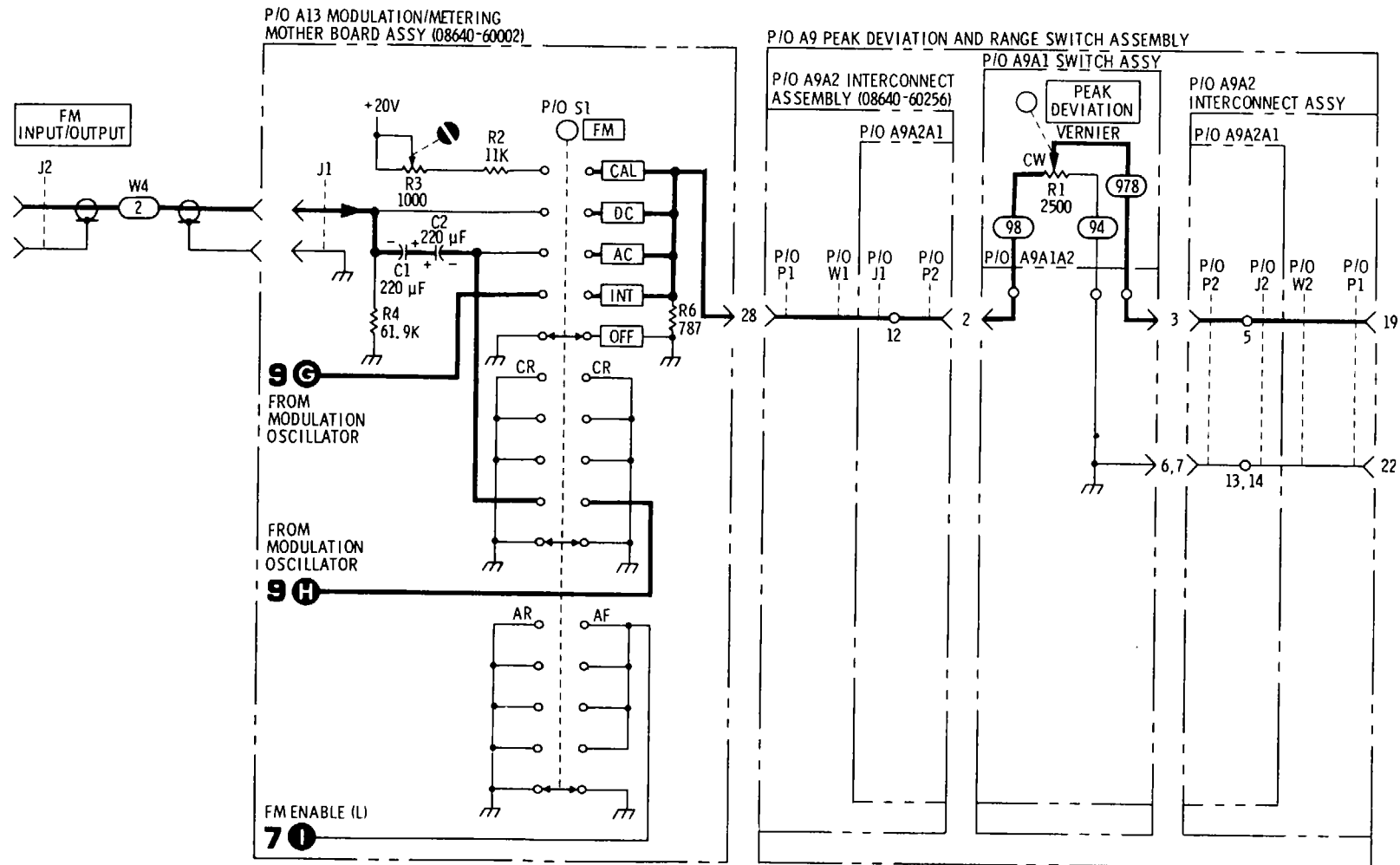


Figure 8-25. FM Amplifiers Schematic Diagram (1 of 2, P/O Change 25)

Change 25 (Cont'd)

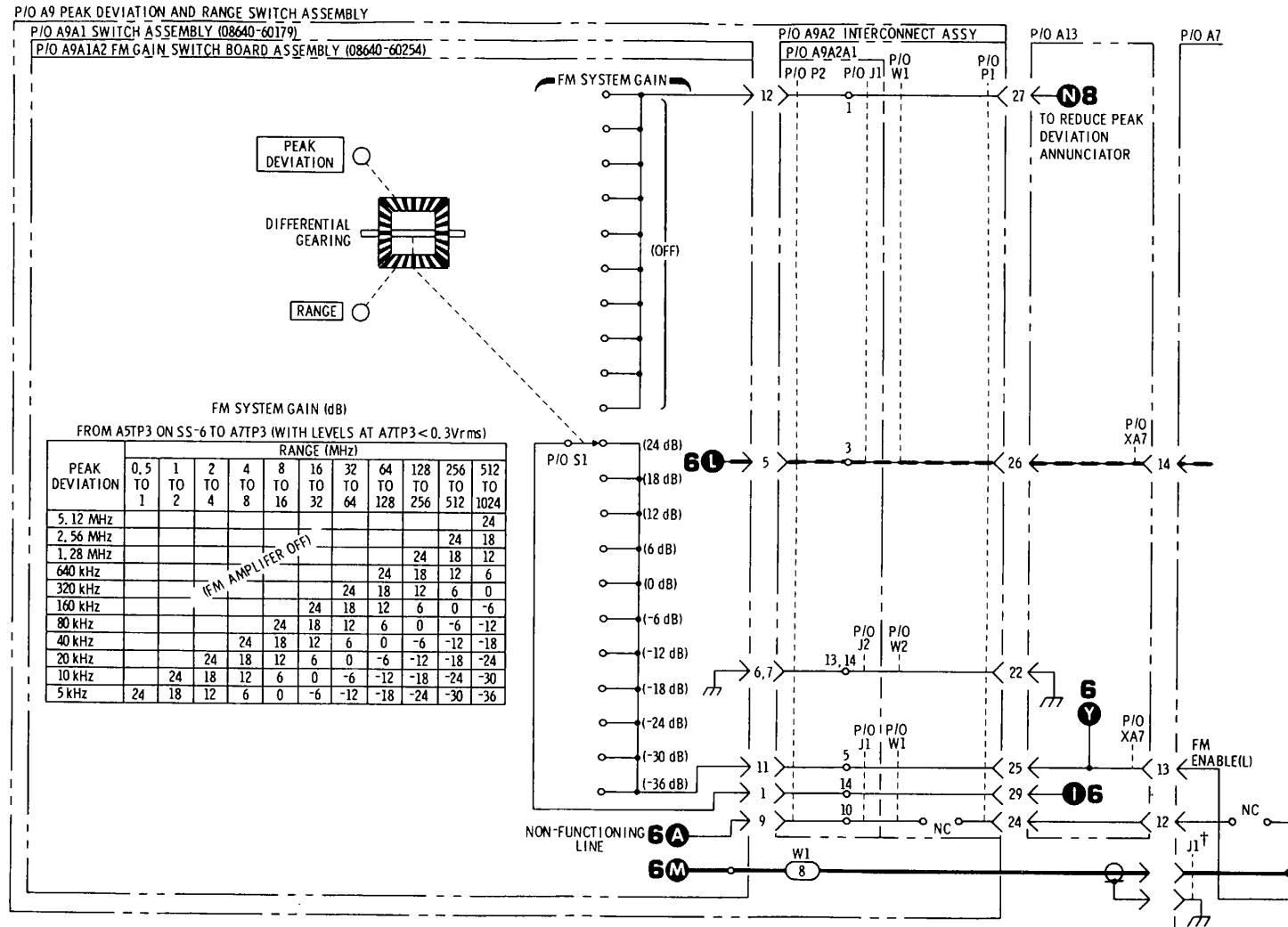


Figure 8-27. FM Shaping Circuits and Phase Lock Loop Filter Schematic Diagram (P/O Change 25)
 7-64

CHANGE 25 (Cont'd)

A9A1A1

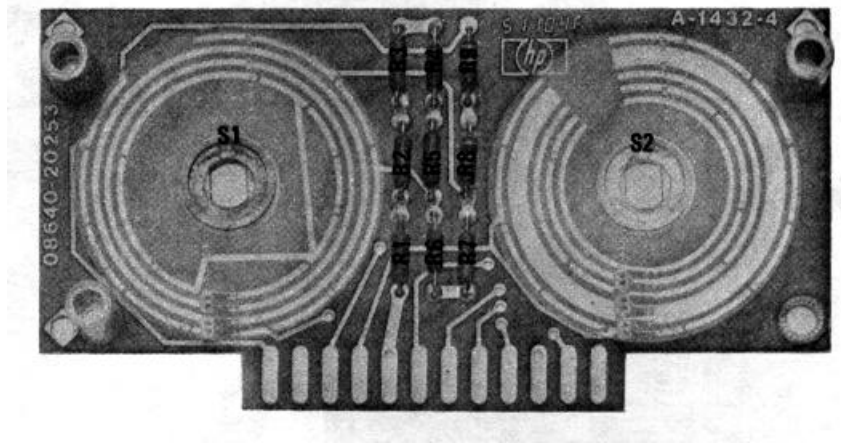


Figure 8-29A. A9A1A1 Peak Deviation Band Switch Board Assembly Component Locations (P/O Change 25)

CHANGE 25 (Cont'd)

A9A2

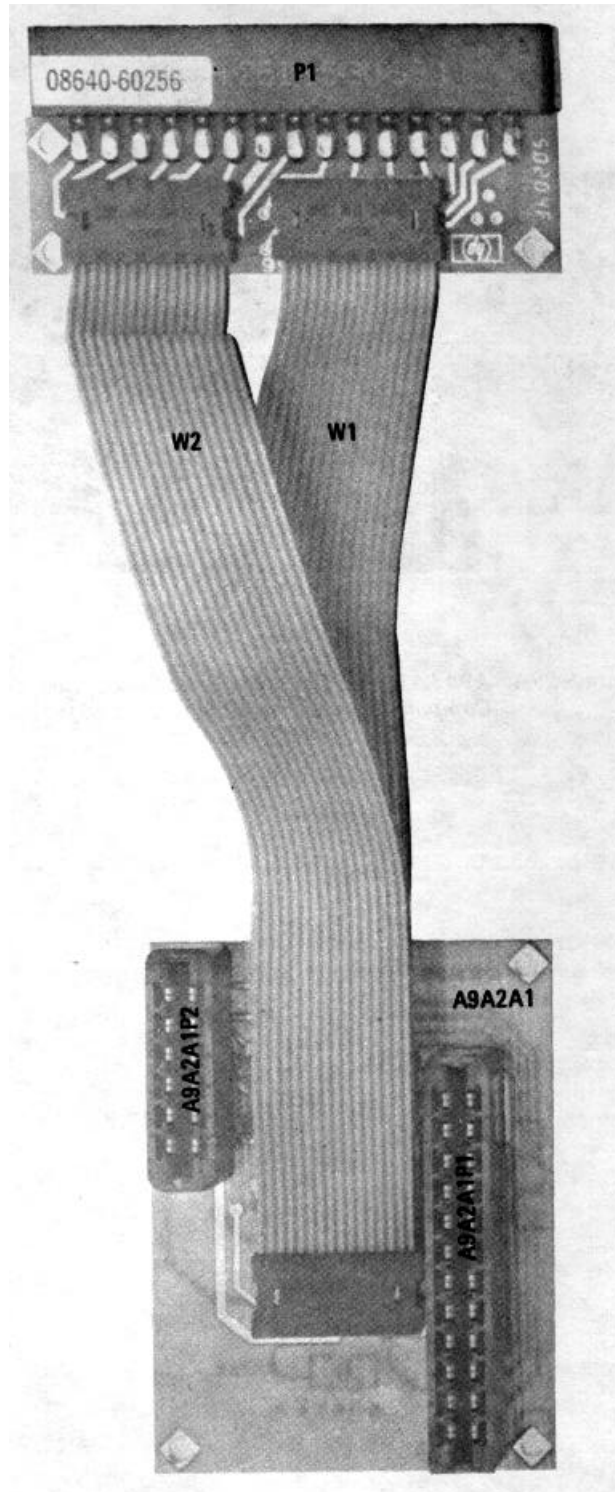


Figure 8-29B. A9A2 Interconnect Assembly Component Locations (P/O Change 25)

Model 8640B

CHANGE 25 (Cont'd)

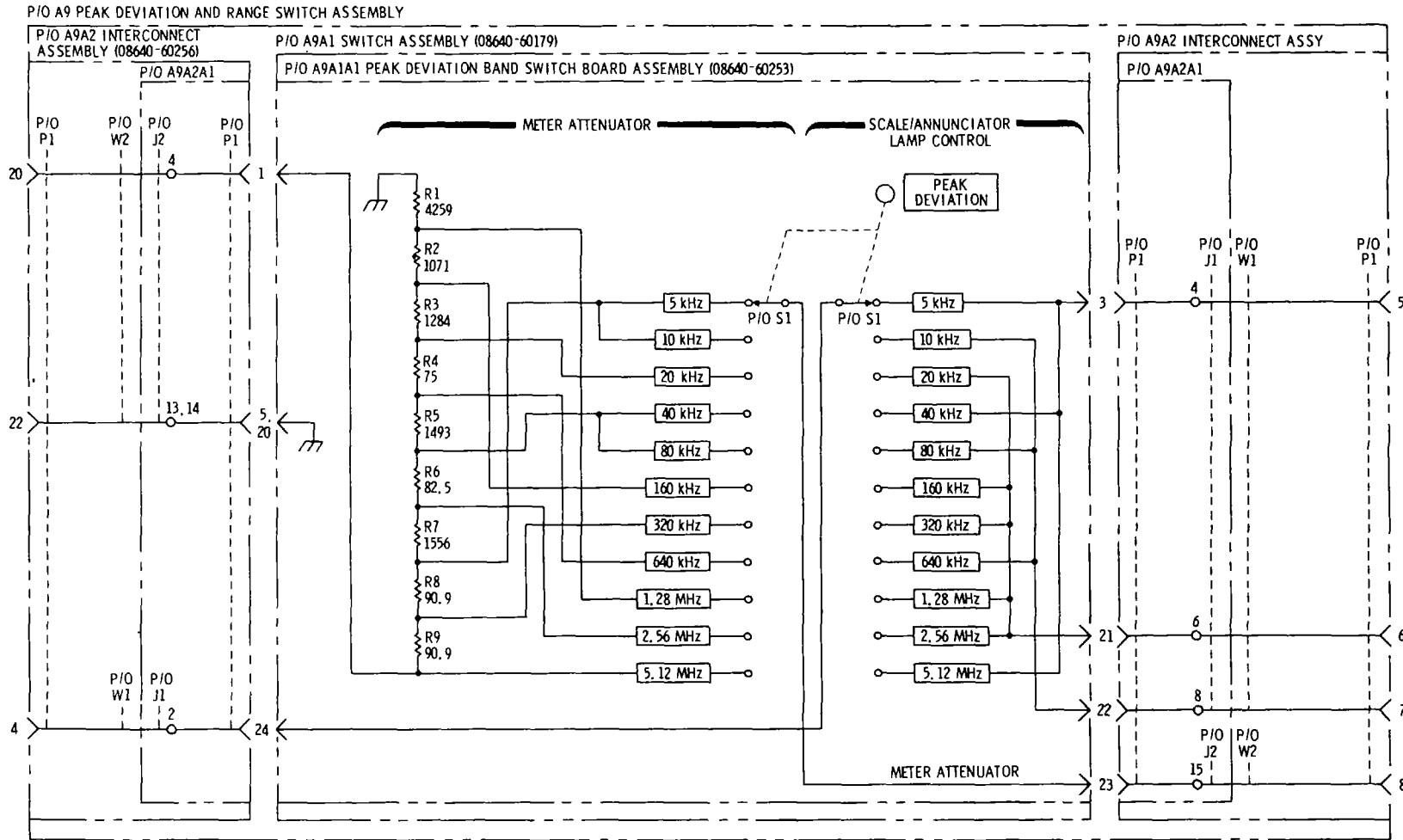
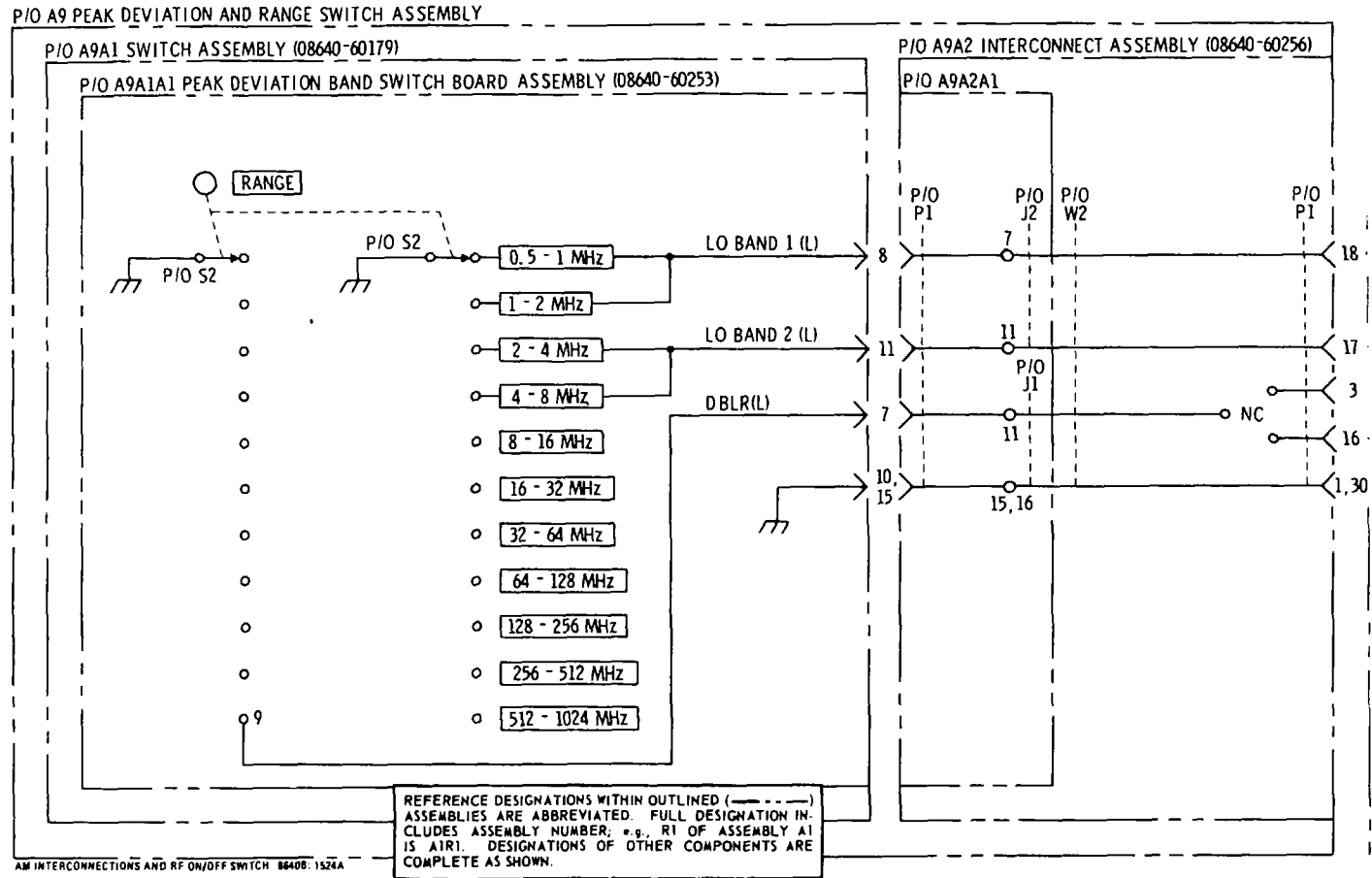


Figure 8-31. Over-Deviation Detector and Meter Control Circuits Schematic Diagram (P/O Change 25)

Model 8640B

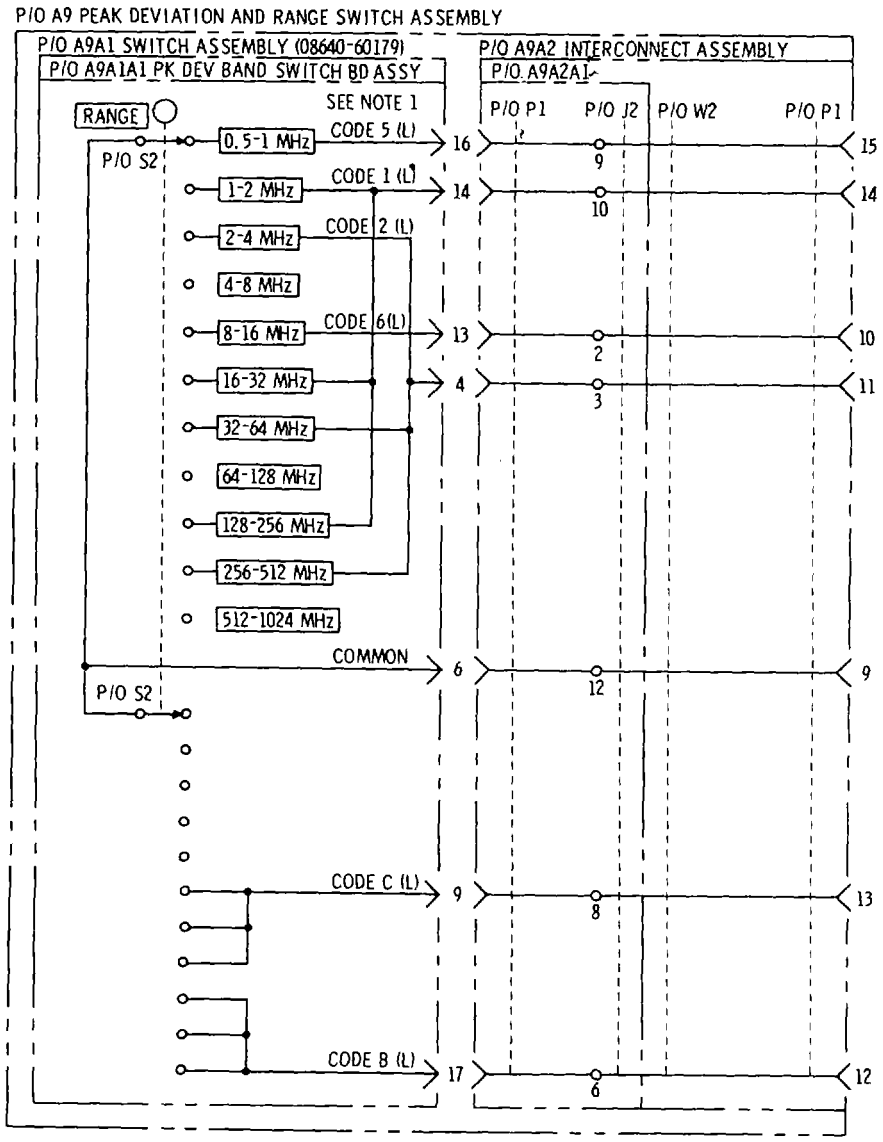
CHANGE 25 (Cont'd)



P/O Figure 8-48. AM Interconnections and RF ON/OFF Switch Schematic Diagram (P/O Change 25)

Model 8640B

CHANGE 25 (Cont'd)



P/O Figure 8-59. Counter Time Base Schematic Diagram (P/O Change 25)
 7-69

Model 8640B

CHANGE 25 (Cont'd)

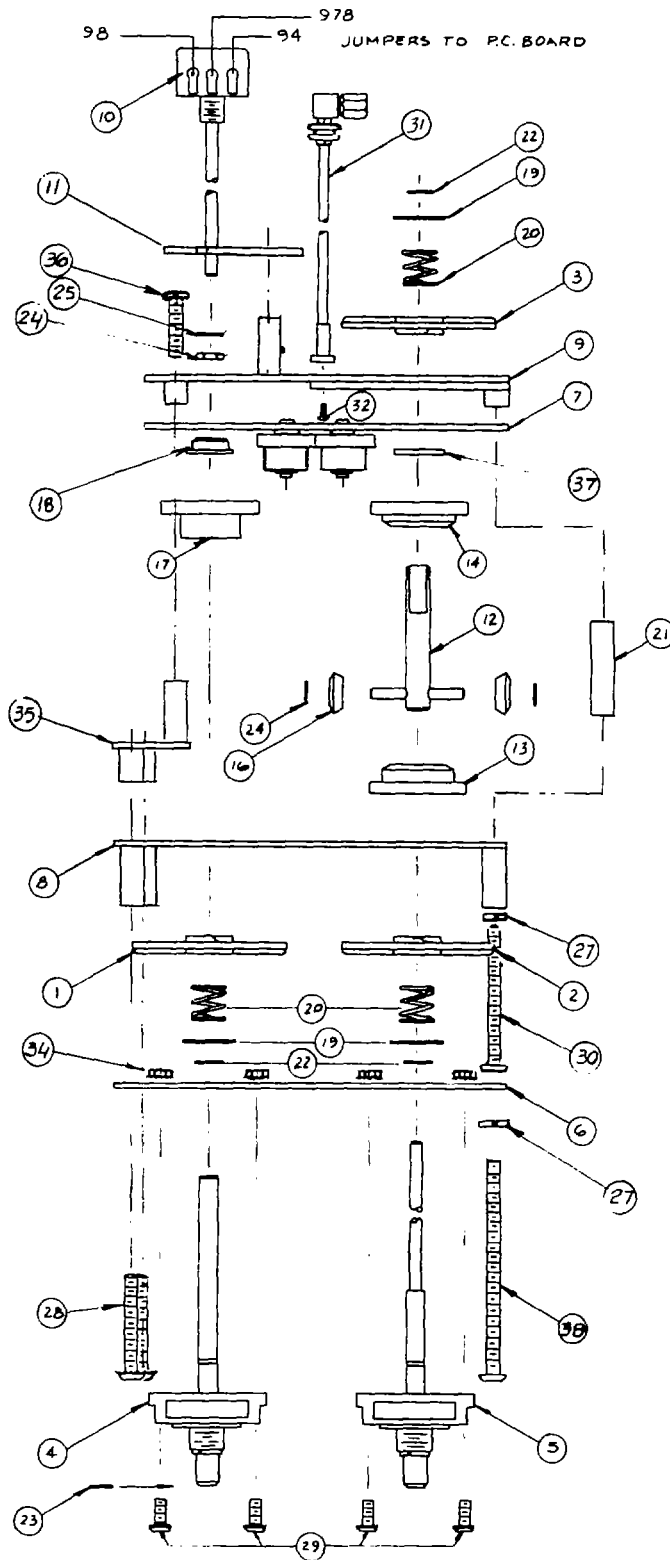


Figure 8-78. A9A1 Switch Assembly Illustrated Parts Breakdown (P/O Change 25)

Model 8640B

A9A1 Switch Assembly Legend

Item Number	Reference Designator	Item Number	Reference Designator
1	A9A1MP31	22	A9A1MP3-5
2	A9A1MP30	23	A9A1MP6
3	A9A1MP28	24	A9A1MP7, 8
4	A9AIMP22	25	A9AIMP41
5	A9A1MP21	26	A9A1MP40
6	A9A1MP23	27	A9A1MP39
7	A9A1MP24	28	A9AIMP38
8	A9A1A1	29	A9A1MP37
9	A9 A1 A2	30	A9A1MP36
10	A9A1R1	31	A9AIWI
11	A9A1MP25	32	A9A1MP35
12	A9A1MP28	33	Not Assigned
13	A9A1MP12	34	A9AIMP34
14	A9AIMP13	35	A9AIMP26
15	Not Assigned	36	A9AIMP33
16	A9AIMP10,11	37	A9AIMP17
17	A9AIMP9	38	A9AIMP32
18	A9AIMP27		
19	A9AIMP18-20		
20	A9A1MP14-16		
21	A9A1MP1, 2		

A9 Assembly Removal Procedure

1. Set PEAK DEVIATION, and RANGE switches four positions ccw from full cw.
2. Place instrument upside down and remove bottom cover (see Service Sheet F).
3. Disconnect gray coaxial cable A9AIW1 from A7 FM Shaper Assembly.
4. Disconnect A9A2 Interconnect Assembly from switch.
5. Loosen two setscrews on coupler at the RANGE switch shaft. Do not disturb coupler at the A10 Divider/Filter Assembly shaft.
6. Remove PEAK DEVIATION, RANGE and FM vernier knobs. The knobs are secured to their shafts with allen setscrews.
7. Remove two nuts and lockwashers that secure the switch assembly to front panel.
8. Lift assembly from instrument.
9. Remove coupler from RANGE switch shaft only.
10. Disconnect 30-pin edge connector A9A2P1 from the mother board.

Continued.....

Model 8640B

CHANGE 25 (Cont'd)**A9 Assembly Removal Procedure (cont'd)**

11. Reinstall switch assembly by setting both switches four positions ccw from full cw (the Divider/Filter shaft should also be in this position) and by reversing the procedures in steps one through ten.

NOTES

The detents of both A9 and A10 assembly switches must align and correspond to the same positions. Check that the actual RF output frequency agrees with the counter indications on all bands.

Adjust the coupler for minimum binding and tighten the setscrews very securely.

CHANGE 26**NOTE**

See paragraph 7-93 for recommended instrument modification.

Page 1-9, Table 1-1:

Under **SPECTRAL PURITY**, make the following changes to the **Harmonics** specification.
Delete >35 dB below fundamental of 0.5 to 128 MHz.
Change "128 to 512 MHz" to "0.5 to 512 MHz".

Page 1-10, Table 1-1:

Under **MODULATION CHARACTERISTICS**, General, make the following changes to the specification for

Optional:

(Internal Variable Audio Oscillator, Option 001).
In the Frequency specification, change $\pm 10\%$ to $\pm 15\%$.
In the Total Harmonic Distortion specification, change "600 kHz" to "200 kHz", and add the following:
"<2.0%, 200 kHz to 600 kHz"

Pages 4-11 thru 4-13, paragraph 4-17:

Under **SPECIFICATIONS**, make the following changes:
Delete >35 dB below fundamental of 0.5 to 128 MHz.
Change "128 to 512 MHz" to "0.5 to 512 MHz".
Change 35 dB to 30 dB in steps 2, 3 (two places), and 4 (seven places).

Pages 4-44 and 4-45, paragraph 4-30:

Under **SPECIFICATION**, make the following change to Option 001, Frequency.
Change $\pm 10\%$ to $\pm 15\%$.
In step 4, change $\pm 10\%$ to $\pm 15\%$ (two places).

Pages 4-45 and 4-46, paragraph 4-31:

Under **SPECIFICATION**, change "600 kHz" to "200kHz" and add the following:
"<2.0% 200kHz to 600 kHz".
In step 2, change "600 kHz" to "200 kHz" and add the following:
"200 kHz to 600 kHz, _____ <2.0%"

Page 4-78, Table 4-1:

Under paragraph number **4-17**, change 35 dB to 30 dB (eight places).

Page 4-81, Table 4-1:

Under paragraph number **4-30**, change $\pm 10\%$ (in Max column) to $\pm 15\%$
Under paragraph number **4-31**, change "600 kHz" to "200 kHz", and add the following:
"200 kHz to 600 kHz, _____ 2.0%".

Model 8640B

CHANGE 26 (Cont'd)

Page 6-34, Table 6-3:

Change A26A2R35 to 0698-3447 RESISTOR; FXD, 422 OHM 1% 0.125 W F TUBULAR.
Add A26A2R40 0698-3157 RESISTOR; FXD, 19.6K 1% 0.125W F TUBULAR.

Page 6-36, Table 6-3:

Delete A26A4Q8.
Change A26A4R44 to 0757-0421 RESISTOR 825 OHM 1% 0.125W F TUBULAR.
Delete A26A4R54.

Service Sheet 12 (schematic):

Make the following changes to the A26A4 assembly.
Delete Q8 and R54.
Connect R44 to junction of R46 and the base of Q9.
Change R44 to 8252 .

Service Sheet 13 (schematic):

Make the following changes to the A26A2 assembly.
Change R35 to 42292.
Add R40, 19.6K, between the collector of Q9 and ground.

CHANGE 27

Page 6-25, Table 6-3:

Change A11C24 to 0160-2199 CAPACITOR; FXD; 30 pF + 5% 300 WVDC.

Page 6-36, Table 6-3:

Change A26A4R2 to 2100-2522 RESISTOR; VAR, TRMR, 10 K OHM 10% C.
Change A26A4R5 to 0698-0084 RESISTOR; FXD; 2.15 K OHM 1% 0.125W F TC = O + 100.

Service Sheet 9A (schematic):

Change A11C24 to 30 pF.

CHANGE 28

Page 6-13, Table 6-3:

Add A8MP47 08640-00100 INSULATOR, RF SCALER.
Add A8MP48 08640-00102 INSULATOR, COUNTER TIME BASE.

Page 6-23, Table 6-3:

Change A10A2R58 to 0698-3243 RESISTOR FXD 178K 1% 0.125W F TUBULAR.

Service Sheet 11 (schematic):

Change resistor A10A2R58 to 178K.

CHANGE 29

Pages 5-14 thru 5-17, paragraph 5-31:

Under REFERENCE, delete service sheet 16.
Under DESCRIPTION, delete all except the first sentence, and Note 1.
In Figure 5-1, delete the 10 dB step attenuator, 20 dB amplifier and spectrum analyzer.
Under EQUIPMENT, delete the spectrum analyzer, 20 dB amplifier and double-shielded cables.
Under PROCEDURE, delete steps 4 thru 11.

Page 6-5, Table 6-3:

Delete A1AIR5 and R6.

Model 8640B

CHANGE 29 (cont'd)

Service Sheet 16 (Principles of Operation):

Under **Meter Attenuator and Odd Range Code (A1)** delete the fourth sentence.

Service Sheet 16 (schematic):

Delete resistors A1A1R5 and R6 and associated wiring.

On switch A1SIBF/R, connect switch terminals 7 and 9 to terminal 6.

CHANGE 30

Page 6-14, Table 6-3.

Add: A8A2C27, 0140-0205, CAPACITOR-FXD 62 PF+5% 300WVDC MICA

Page 6-15, Table 6-3

Change A8A2U6 and U25 to 1820-1322, IC-SN74S02N, GATE

Service Sheet 20 (schematic)

Add: C27, 62 pF between A8A2U13D pin 11 and ground.

Change A8A2U6 and U25 to 1820-1322.

CHANGE 31

Page 6-23, Table 6-3:

Change A1OA2U1 to 1826-0303 IC, LINEAR.

Service Sheet 11 (schematic):

Change part number for A1OA2U1 to 1826-0303.

CHANGE 32

Page 5-3, Table 5-1:

Delete A11R28 (Option 001).

Pages 5-9 and 5-11, paragraph 5-27:

Under EQUIPMENT, add the following instruments.

Distortion Analyzer

HP 333A

Oscilloscope

HP 180A/1801A/1820C

Change step 12 to read as follows:

- 12. If level at A11TP4 is too high, adjust A11R28 ccw (reduce resistance); if level is too low, adjust A11R28 cw (increase resistance). Then repeat steps 8 through 11.

Add the following steps after step 16.

- 16a. Set MODULATION FREQUENCY controls to 600 kHz. Connect distortion analyzer to front panel AM OUTPUT connector. Calibrate distortion analyzer and measure distortion. Distortion analyzer should indicate less than 2%.
- 16b. Set MODULATION FREQUENCY controls to 20 Hz. Connect oscilloscope to AM OUTPUT connector. Set AM switch alternately between OFF and INT. The envelope of the audio signal displayed on the oscilloscope should stabilize within a few seconds after AM is switched to INT.
- 16c. If distortion or AM stability is incorrect, adjust A11R28 ccw (reduce resistance) for less distortion or cw (increase resistance) for better stability.

NOTE

Adjustment is correct when distortion and stability are as described in steps 16a and 16b. Measurement results recorded in preceding steps may have changed (perhaps beyond stated limits) after readjusting A11R28.

Model 8640B

CHANGE 32 (Cont'd)

Page 6-26, Table 6-3:

Change A11R28 to 2100-2574 RESISTOR; VAR; TRMR; 500 OHM 10% C.

Service Sheet 9A (schematic):

Delete asterisk (*) at A11R28 and change the symbol to a 5002 potentiometer whose wiper is connected to the junction of A11R28 and A11RT1.

CHANGE 33

Page 6-22, Table 6-3:

Delete A10A2R38 and R39.

Page 6-34, Table 6-3(see Change 13):

Change A26A1R21 to 0698-7233 RESISTOR, FXD, 750 OHM 2% 0.05W F TC=0+100.

Change A26A1R22 to 0698-7272 RESISTOR, FXD, 31.6K 2% 0.05W F TC=0O100.

Service Sheet 11 (schematic):

Delete resistors A10A2R38 and R39.

Service Sheet 19 (schematic):

Make the following changes to the A8A3 assembly.

Change R10 and R17 to 1960 ohms.

Change part numbers for U10, U11, U16 and U17 to 1820-1490.

Change part numbers for U13, U14 and U15 to 1820-1429.

NOTE

In instruments with serial number prefix 1545A or below, if A8A3U16 or U17 is replaced with 1820-1490, the respective pull-up resistor A8A3R10 or R17 must also be updated to the recommended new value, 1.96K.

CHANGE 34

Page 6-13 through 6-15, Table 6-3:

Change A8A2C4 to 0180-0374, CAPACITOR, FXD 10OUF \pm 10% 20WVDC

Change A8A2C12 to 0160-2207, CAPACITOR, FXD 300PF \pm 5% 300 WVDC

Add A8A2C32, 0180-0374, CAPACITOR, FXD 10OUF \pm 10% 20WVDC

Model 8640B

CHANGE 34 (Cont'd)

Pages 6-14 and 6-15, Table 6-3 (cont'd):

- Change A8A2R17, 0698-7277, RESISTOR, FXD 51.1K 2% 0.05W F TC=0±100
- Change ASA2R19, 0698-7270, RESISTOR, FXD 26.1K 2% 0.05W F TC=0±100
- Delete A8A2R58
- Add A8A2R59, 0698-7281, RESISTOR, FXD 75K 2% 0.05W F TC=0±100
- Add A8A2R60, 0698-7188, RESISTOR, FXD 10 2% 0.05W F TC=0±100
- Add ASA2R61, 0698-7243, RESISTOR, FXD 1.96K 2% 0.05W F TC=0±100
- Add A8A2R62, 0698-0090, RESISTOR, FXD 464 1% 0.5W F TC=0±100

Service Sheet 7 (schematic):

- Change A7R28 to 100K
- Change A7R45 to 26.1K

NOTE

For instruments with serial prefixes below 1552A, the recommended replacement for A7R28 is 0757-0465 and for A7R45 is 06983159.

For instruments not already modified as above, it will be necessary to replace both A7R28 and A7R45 the first time that either resistor is replaced.

Service Sheet 20 (Component Locations):

Replace Figure 8-61 with attached figure.

P/O A8A2 ASSEMBLY

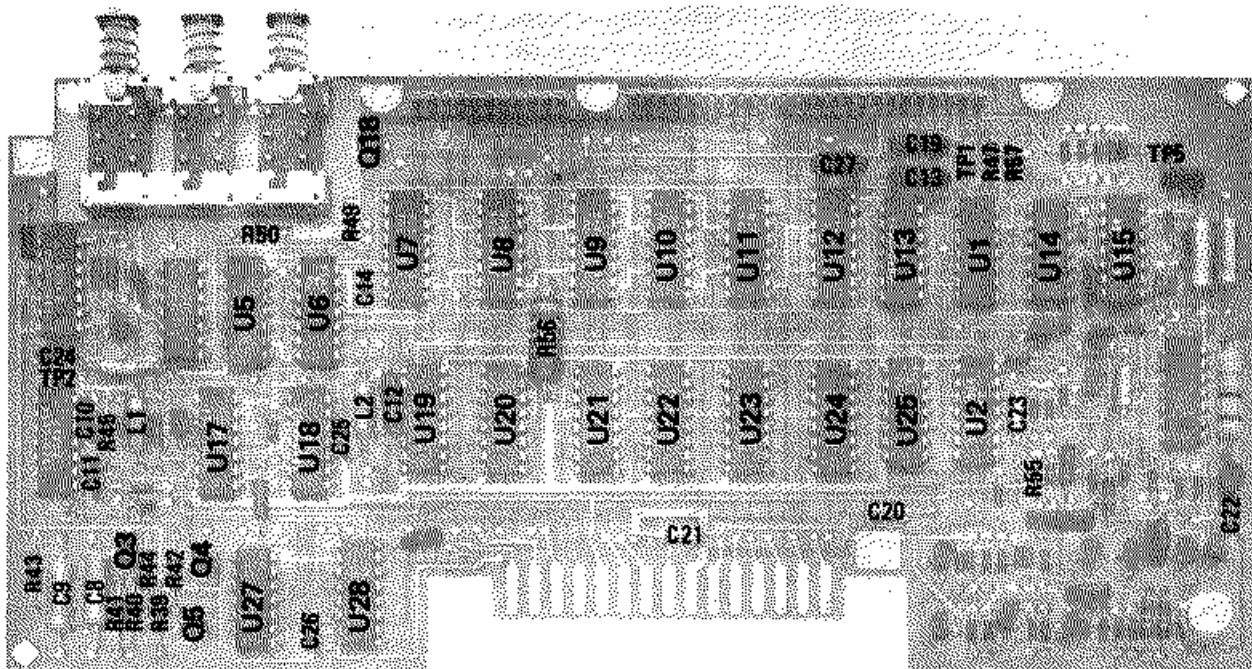


Figure 8-61. /O A8A2 Counter/Lock Board Assembly, Component Locations (P/O Change 34).

Service Sheet 20 (Schematic):

- Change A8A2C12 to 300 pF.
- Delete the line between A8A2U16B pins 4 and 5.
- Add a line from A8A2U16B pin 4 to +5.2V.

Model 8640B

CHANGE 34 (Cont'd)

Service Sheet 21 (Component Locations):

Replace Figure 8-63 with attached figure:

P/O A8A2 ASSEMBLY

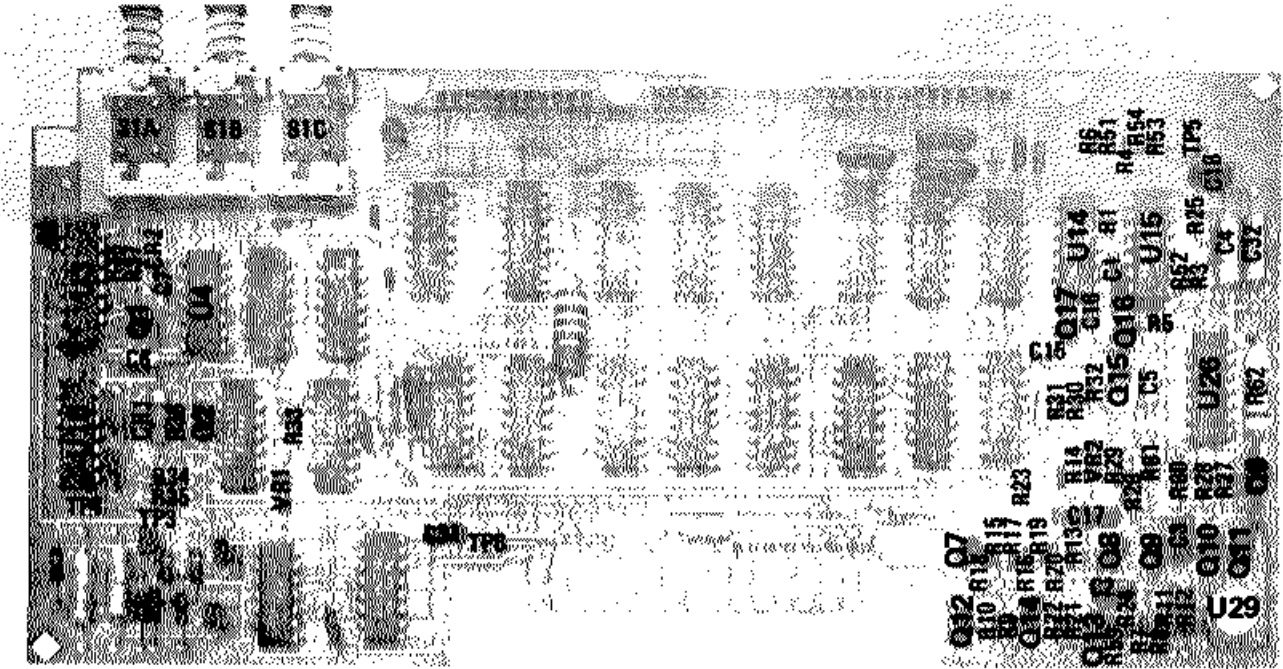
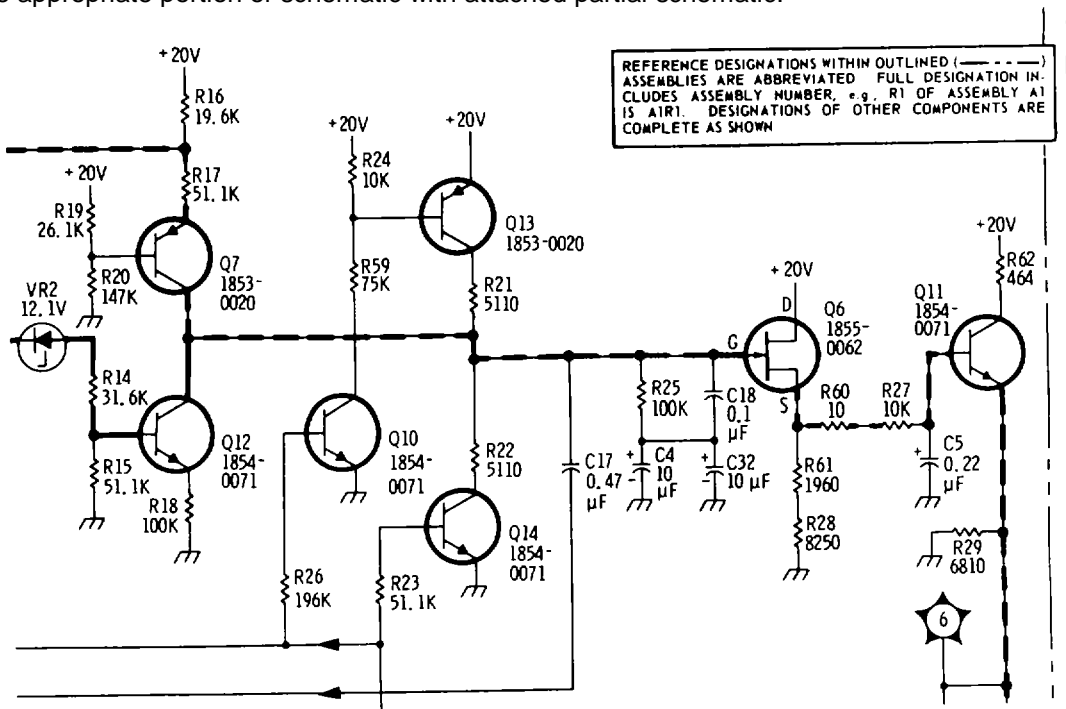


Figure 8-63. P/O A8A2 Counter/Lock Board Assembly, Component Locations (P/O Change 34).

Service Sheet 21 (Schematic):

Replace appropriate portion of schematic with attached partial schematic.



P/O Figure 8-64. Counter Phase Lock Circuits Schematic Diagram (P/O Change 34)

Model 8640B

INSTRUMENT MODIFICATIONS

7-7. INSTRUMENT IMPROVEMENT MODIFICATIONS

7-8. Hewlett-Packard has developed certain recommended instrument modifications that can be used to improve the performance and reliability of earlier versions of the instrument. In some cases, replacing certain parts requires a modification to make these instruments compatible with parts now in use (if the original part is no longer available). These modifications are outlined in the following procedures and are keyed to instruments by serial number or serial number prefix.

7-9. Improved FM Metering Accuracy (Serial Prefix 1229A)

7-10. On instruments with serial number prefix 1229A, and with an A2 Meter/Switch Detector Assembly that has a 08640-60031 part number, FM metering accuracy can be improved at high modulation rates by removing the two 2.37V zener diodes, A2VR3 and A2VR4 (see Service Sheet 17). The diodes are in series with each other and in parallel with A2R3 (at the input to A2U1).

7-11. Elimination of Frequency Shift in Expand X100 Mode (Serial Prefix 1229A)

7-12. On instruments with serial number prefix 1229A, the frequency counter OVER FLOW lamp must be rewired to prevent RF Oscillator frequency shift when switching to the EXPAND X100 counter mode. The overflow lamp causes the +20 volt power supply voltage to drop, thus changing the RF Oscillator frequency. The modification rewires the overflow lamp to the +5.2 volt power supply and removes current limiting resistor A8A4R4, 220 ohms.

7-13. Perform the following steps and refer to Figure 7-8 and Service Sheet 20.

1. Remove instrument top cover (see Service Sheet F for procedure) and disassemble A8 Counter/Lock Assembly to gain access to the A8A2 and A8A4 Assemblies (see Service Sheet B for procedures).
2. Replace A8A2R57 (on A8A2 Counter/Lock Board Assembly with part number

08640-60027) with a 0.47 ohm resistor (HP 0811-1662). The existing value is 0.82 ohms. R57 is the current limiting resistor for the display LED's from the +5.2 volt supply.

3. On A8A4 Counter Display Assembly (with part number 08640-60025), unsolder and discard A8A4R4, a 220 ohm, 2 watt resistor.
4. Solder a length of insulated wire from top resistor pad of A8A4R4 (nearest overflow lamp) to narrow trace running down center of ground plane.
5. Reassemble counter and test OVER FLOW lamp operation as shown in Operator's Checks in Section III.

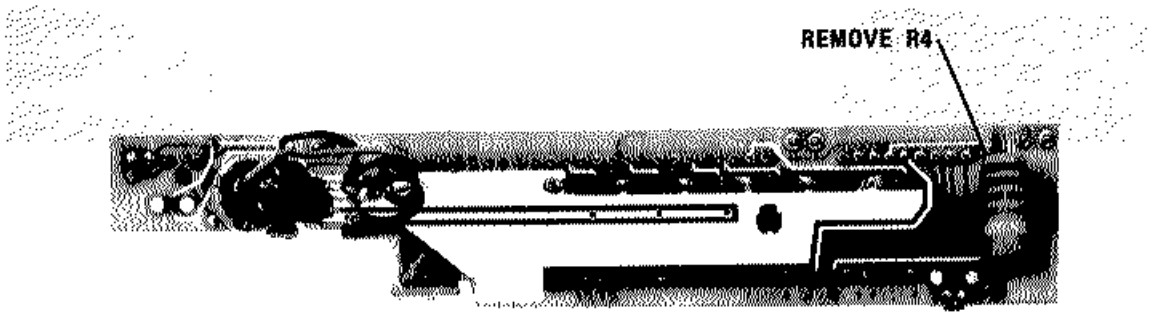
7-14. A8A2 Counter/Lock Board Assembly Improvements (Serial Prefix 1229A)

7-15. On instruments with serial number prefix 1229A and an A8A2 Assembly with part number 08640-60027, the following modifications will improve reliability (refer to Service Sheets 20 and 21):

1. In the phase lock mode, the pulse width into U4A and U28 may be insufficient to clear the stall counter, and the instrument will not lock. If the problem occurs, replace R48 with a 15 μ H inductor (L2, HP 9100-1620) and check that C12 is 100 pF.
2. In the count mode, the pulse width from the output of U17C may be insufficient to clear the counters (U19 to U24), and the count will be incorrect, usually all zeros. Should the problem occur, replace R46 with a 24 μ H inductor (L1, HP 9100-1622). Change C11 to 470 pF (HP 0160-3455).
3. In the phase lock mode, a low borrow output of U24 ripples through gates U13C and D to NOR gate U25B. The next clock pulse from U25A clocks the borrow into the countdown input of U23 (which clocks on a positive going pulse). If the borrow from U24B is removed too quickly from U25B, then U23 will not be clocked and the instrument will not phase lock. Should the problem occur, add a 100 μ F

Model 8640B

INSTRUMENT MODIFICATIONS



UNMODIFIED DISPLAY BOARD A8A4



MODIFIED DISPLAY BOARD A8A4

**NEW WIRE
TO +4.6 VOLT
SUPPLY FROM
'OVER FLOW'
LAMP**

**Figure 7-8. A8A4 Counter Display Assembly Modification
7-79**

Model 8640B

INSTRUMENT MODIFICATIONS

capacitor (C27, HP 0160-3877) from the output of U13D (pin 11) to ground.

7-16. Improved Audio Output Level Accuracy (Serial Prefix 1229A)

7-17. On instruments with serial number prefix 1229A, the level of the internal modulation oscillator into the FM system can be increased so that it can turn on the REDUCE FM VERNIER annunciator (to verify its operation) as follows:

1. For All Fixed-Frequency Modulation Oscillator Assembly (with part number 08640-60020) refer to Service Sheet 9. Change AIIR7 to 2870 ohms (HP 0698-3151) and change AIIR14 to 2610 ohms (HP 0698-0085). Perform Fixed-Frequency Modulation Oscillator Adjustment in Section V.
2. For All Variable-Frequency Modulation Oscillator Assembly (Option 001) (with part number 08640-60019) refer to Service Sheet 9A. Change AIIR36 to 6190 ohms (HP 0757-0290) and change AIIR39 to 2370 ohms (HP 0698-3150). Perform Variable Frequency Modulation Oscillator Adjustment in Section V.

7-18. A26A1 Power Amplifier and AGC Detector Assembly Improvement (Serial Prefix 1229A)

7-19. On instruments with serial number prefix 1229A and an A26A1 Assembly with part number 08640-60017, level accuracy for narrow pulse widths in AM PULSE mode can be improved by changing Q1 to HP 1853-0015; refer to Service Sheet 13.

7-20. Reduction of RFI Leakage from Front Panel (Serial Prefix 1244A and Below)

7-21. On instruments with serial number prefix 1244A and below, RFI leakage from the front panel can be reduced by adding RFI barriers to the main and fine tune shafts and the output attenuator shaft. The following parts are required:

Qty	Description	HP Part No.
2	4-40x1/8 Setscrew	3030-0007
1*	Braid Ring (Main Tune)	8160-0238
1	Braid Ring (Fine Tune)	8160-0239
1	Retaining Collar	08640-20228
1*	Attenuator Shield	08640-00065

*Order only for serial prefixes 1229A and below

7-22. Remove A3 RF Oscillator Assembly (see Service Sheet F for procedure) and AI Output Level Assembly (see Service Sheet A for procedure). Modify and re-install as follows:

A1 Output Level Assembly

1. Install gold Attenuator Shield on output attenuator's cursor drive gear bushing. The shield should be cupped toward front panel, and the locating tabs should seat in the cursor locating slots.
2. Before re-installing attenuator, apply a small amount of grease (such as PLM grease) to portion of subpanel where Attenuator Shield will rub.. This will smooth rotation of vernier and prevent squeaking.
3. Re-install attenuator. If cursor drive gear has disengaged, follow the Output Level Knob Adjustment procedure in Section V.

A3 RF Oscillator Assembly

1. Install Main Tune Braid Ring on oscillator's FREQUENCY TUNE shaft. If braid appears to be unraveling, apply solder to braid end. With the braid on the shaft, make braid thinner by pinching with pliers; this will ease installation of oscillator.
2. Slip Retaining Collar and Fine Tune RFI Braid Ring on FINE TUNE shaft. The braid may also need soldering.
3. Re-install RF Oscillator. Check that the green counter time base cable is not pinched under the Oscillator.

Model 8640B

INSTRUMENT MODIFICATIONS

4. Press Fine Tune RFI Braid Ring against the subpanel with the Retaining Collar and secure collar with Setscrews. Verify operation of the Oscillator as shown in Operator's Checks in Section III.

7-23. A26A4 AGC Amplifier Assembly Improvement (Serial Prefix 1245A and Below)

7-24. On instruments with serial number prefix 1245A and below, the AM bandwidth in the 0.5 to 2 MHz ranges can be improved by modifying the A26A4 AGC Amplifier Assembly (part number 08640-60015). Change C10 (see Service Sheet 12) from 0.027 μ F to 0.018 pF (HP 0160-0302).

7-25. On the same instruments, adding R54 825 ohms (HP 0757-0421) between the collector of Q8 and +5.2V will improve the transistor's reliability. Unsolder and lift the collector lead from the board and add the resistor between the collector lead and the circuit board hole.

7-26. Reduction of RFI Leakage From RF Oscillator (Serial Prefix 1246A and Below)

7-27. On instruments with serial number prefix 1246A and below that have excessive RFI leakage from the A3 RF Oscillator Assembly, RFI leakage can be reduced by replacing the RF Oscillator Transistor cap. The new cap is shorter and includes two RFI braid gaskets. The old transistor cap should be replaced with the following parts:

Qty	Description	HP Part No.
1	Cap Transistor	08640-20224
1	Braid Plug	8160-0203
1	Gasket Plug	8160-0233

NOTE

The cap is located on the bottom side of the cylindrical part of the oscillator.

7-28. Replacement A7 FM Shaping Assembly (Serial Prefix 1246A and Below)

7-29. On instruments with serial number prefix 1246A and below, a new (replacement) A7 Assembly will require modification to be compatible with

an A9 Peak Deviation and Range Switch Assembly that does not have coaxial cable A9W1 (see paragraph 7-32). The new A7 Assembly will have coaxial jack A7J1 (see Service Sheets 6 and 7), the original assembly does not.

7-30. Refer to Figure 7-9 and Service Sheet 7. Modify the board as follows:

1. Add a wire jumper between the two pads above pins 12 and 13 on board. Coaxial jack A7J1 will not be used.
2. The A7 FM Shaping Assembly characteristics must be matched to the RF Oscillator. Perform the Preliminary FM, FM Sensitivity and FM Linearity Adjustments in Section V.

7-31. Replacement A9 Peak Deviation and Range Switch Assembly (Serial Prefix 1246A and Below)

7-32. On instruments with serial number prefix 1246A and below, a new (replacement) A9 Assembly will require modification to be compatible with an A7 FM Shaping Assembly with a 08640-60030 part number (see paragraph 7-28). The new A9 Assembly will have coaxial cable A9W1 (see Service Sheets 6 and 7), the original assembly does not. The modification consists of replacing A9W1 with an insulated wire and adding three capacitors. The following parts are required:

Qty	Description	HP Part No.
1	A9C6 150 pF	0140-0196
1	A9C7 750 pF	0160-3538
1	A9C8 1500 pF	0160-2222

7-33. Refer to Figure 7-10 and Service Sheet 6. Modify the switch as follows:

1. Remove the coaxial cable leads from switch wafer S3C rear and S3B front lug 11. Strip the ends of a 8 1/2-inch length of insulated wire, #24 AWG, color code white-yellow-gray (948), and connect it between wafer S3B front lug 11 and pin 24 of connector A9P1. Solder both ends of wire.

Model 8640B

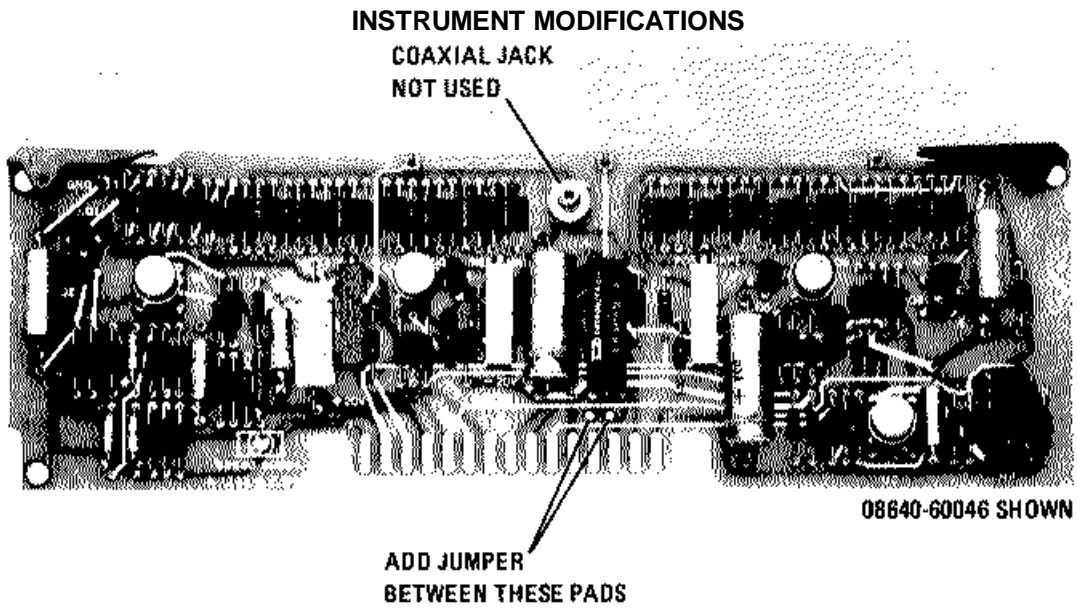


Figure 7-9. A 7 FM Shaping Assembly Modification

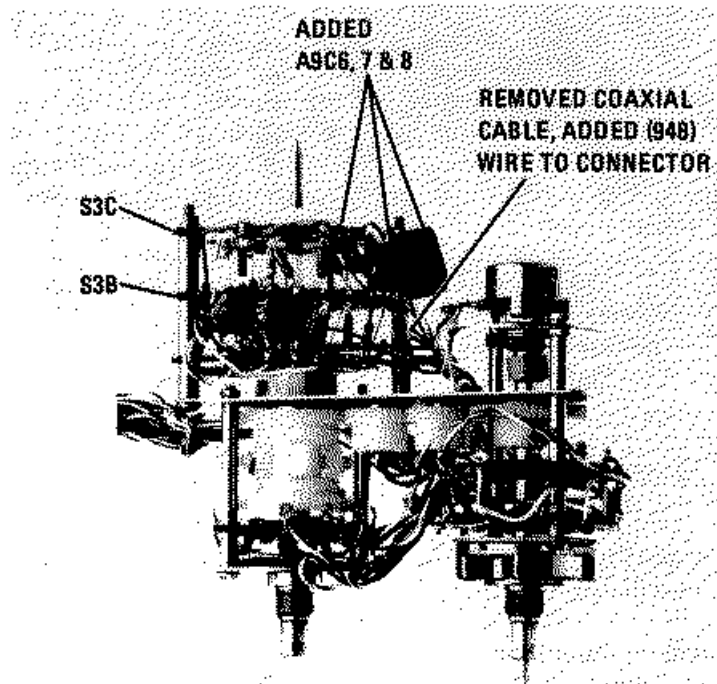


Figure 7-10. A 9 Peak Deviation and Range Switch Modification

Model 8640B

INSTRUMENT MODIFICATIONS

2. Connect A9C8, 1500 pF, between switch wafer S3B front lug 10½/2 and wafer S3C front/rear lug with the white-yellow (94) wire, bare wire, a 1500-ohm and a 300-ohm resistor. Solder the end of C8 at wafer S3B front lug 101/2.
3. Connect A9C7, 750 pF, across switch wafer S3B front/rear lug 10 and wafer S3C at the same lug as A9C8. Solder both ends of A9C7.
4. Connect A9C6, 150 pF, across switch wafer S3B front/rear lug 91/2 and wafer S3C front/rear lug with two 3000-ohm resistors and a bare wire to the lug on either side. Solder both ends of A9C7.
5. Perform the Peak Deviation and Range Switch Adjustment and the Range Switch Adjustment in Section V.

7-34. A10A1 RF Filter Assembly Switch Improvement (Serial Prefix 1246A and Below)

7-35. On instruments with serial number prefix 1246A and below, the reliability of the slide-bar switches can be improved by modifying the A10A1 Assembly. The modification consists of replacing the plastic slide-bar switch clamp with one made of aluminum. Replacement requires the use of special fixtures and tools and should be performed by Hewlett-Packard. Contact your local HP office for more information.

NOTE

The plastic slide-bar switch clamp is not available for replacement. If found to be defective, it must be replaced by an aluminum clamp.

7-36. A8A1 RF Scaler Assembly Improvement (Serial Prefix 1249A)

7-37. On instruments with serial number prefix 1249A and an A8A1 Assembly with an 08640-60041 part number, low level triggering in EXT mode can be improved by increasing isolation between the internal and external signal paths. Refer to Service Sheet 18 and Figure 7-7 and add C7 0.01 /F (HP 0160-3879) from the junction of R2 and CR5 to circuit board ground.

7-38. A5 FM Amplifier Assembly Improvement (Serial Prefix 1251A and Below)

7-39. On instruments with serial number prefix 1251A and below and an A5 Assembly with an 08640-60029 part number, spurious oscillations may occur in the FM system in the FM OFF mode. To prevent this, refer to Service Sheet 6 and add C9 430 pF (HP 0160-0939) from pin 7 on the circuit board connector to circuit board ground.

7-40. A8A2 Counter/Lock Board Assembly Improvement (Serial Prefix 1251A and Below)

7-41. On instruments with serial number prefix 1251A and below and an A8A2 Assembly with an 08640-60027 part number, the pulse width into the Stall Counter may be wide enough to overlap the clock input. The Stall Counter will then count for 10 clock pulses instead of 9 and the instrument will phase lock to a frequency that is one count higher than the indicated count. To prevent this, refer to Service Sheet 20, change C12 to 100 pF (HP 0160-3466) and remove R48 (196 ohms) and in its place add L2, 15 pH (HP 9100-1620).

7-42. Front Panel Meter M1 Replacement (Serial Prefix 1251A and Below)

7-43. When replacing the panel meter for instruments with serial number prefix 1251A and below, the front panel will also have to be changed to one with a hole which accommodates the front panel zeroing. The hole already exists in the sub-panel.

To replace the meter and front panel, order a current panel meter (HP 1120-0539) and front panel (HP 08640-00063) and proceed as follows:

1. Remove top and bottom covers, top trim strip, front window, and all knobs, nuts, and washers that secure lower half of front panel. The RF OUTPUT connector is most easily removed from behind the sub-panel. Avoid forcing modulation oscillator's frequency dial cursor disk (Option 001 only); gently work it along the shaft.
2. Replace front panel with new one. Replace the nuts and washers that secure the connectors and switches. Replace the FINE TUNE, FREQUENCY TUNE, RANGE, PEAK DEVIATION,

Model 8640B

INSTRUMENT MODIFICATIONS

- and MODULATION FREQUENCY (except Option 001) knobs.
3. Remove A4 Meter/Annunciator Drive Assembly.
 4. Remove A8 Counter/Lock Assembly by removing four corner screws and three RF connectors on bottom of assembly. Use the special wrench provided with instrument to remove the two screw-on connectors.
 5. Remove A6 Annunciator Assembly by unplugging miniature 8-pin connector A6P1 and removing two screws on front of meter support molding.
 6. Remove meter by gently pressing frontward on support molding and lifting meter up and out. Remove the two meter leads.
 7. Connect the meter leads to new meter. (The white lead goes to the "+" terminal.) Insert meter, taking care not to scratch meter face. Check that the solder lugs on the meter terminals do not short to each other or to the chassis.
 8. Replace A6 Annunciator Assembly, A8 Counter/Lock Assembly, and A4 Meter/Annunciator Drive Assembly.
 9. For the Option 001 modulation oscillator, carefully install the dial and check the oscillator's output with a counter to make sure that the dial cursor disk gear is meshed in the correct cogs. Install the modulation oscillator RANGE and vernier knobs; tighten the vernier knob first.
 10. Install the AUDIO OUTPUT LEVEL knob and check its scale accuracy with an external meter by comparing the AM OUTPUT level at 1 kHz into 600 Ω with the scale indication. Adjust the knob position until the scale is accurate to within $\pm 20\%$ for all markings.
 11. Perform the Meter Adjustment procedure in Section V. The offset adjustments may be omitted.
 12. Perform the Output Level Knob Adjustment procedure in Section V; the gears, however, should not need adjustment.
 13. Install the covers, trim strip, and front window.
- 7-44. A26 AM/AGC and RF Amplifier Assembly Improvement (Serial Prefix 1303A and Below)**
- 7-45. On instruments with serial number prefix 1303A and below, operation of the AM and pulse modulation circuits can be improved by making the following changes. The changes are recommended at time of service or repair. Refer to Service Sheets 12 and 13.
1. To improve AM bandwidth on an A26A4 AGC Amplifier Assembly with part number 08640-60014, change R13 and R15 to 14.7 k Ω (HP 0698-3156) and change R22 to 1.78 k Ω (HP 0757-0278).
 2. To improve RF pulse shape (specifically, to reduce the 90-100% rise time) on an A26A4 AGC Amplifier Assembly with part number 08640-60014, change R41 and R42 to 100 k Ω (HP 0757-0465).
 3. To improve general circuit reliability on an A26A2 AM Offset and Pulse Switching Assembly with part number 08640-60015, change CR9 to HP 1901-0539.
- 7-46. A26A4 AGC Amplifier Assembly Improvement (Serial Prefix 1310A and Below)**
- 7-47. On instruments with serial number prefix 1310A and below, and with an A26A4 Assembly that has an 08640-60014 or 08640-60015 part number, AM noise performance will be improved by changing C14 from 220 pF to 0.1 pF (see Service Sheet 12). The correct part to install is HP 0160-0576. The new capacitor has 0.1-inch lead separation, and the leads should be carefully formed to fit into the present 0.2-inch spacing of the printed circuit board. This change is recommended at time of service or repair.
-

Model 8640B

INSTRUMENT MODIFICATIONS

7-48. A10A2 RF Divider Assembly Improvement (Serial Prefix 1313A and Below)

7-49. On instruments with serial number prefix 1313A and below, subharmonic rejection can be improved if the fourth RF divider is wired so that it is off when the RF output is taken from the third divider. Refer to Figure 7-11 and Service Sheet 11 and proceed as follows:

1. Remove top cover of instrument (see Service Sheet F for procedure).
2. Remove 14 4-40 pan-head screws that secure cover of A10 Divider/Filter Assembly casting (screws are marked "*" on cover). Note that the two center screws are longer than the others.
3. Remove cover from casting.
4. Remove 12 4-40 pan-head screws that secure A10A2 RF Divider Assembly. Remove A10OA2 and riser board (A10OA3) by lifting at the riser.
5. Solder a 1/2-inch length of insulated wire between pin 3 of U18 and the end of R16 (5.11 k Ω) that is nearest U18. Refer to Figure 7-11.
6. Replace A10OA2 and A10OA3 and check that there is no output from U18 (pin 1 or 13) when in the 32 to 64 MHz range. Use a high impedance 50 MHz oscilloscope.
7. Continue reassembly of the instrument and check for proper operation on all frequency ranges.

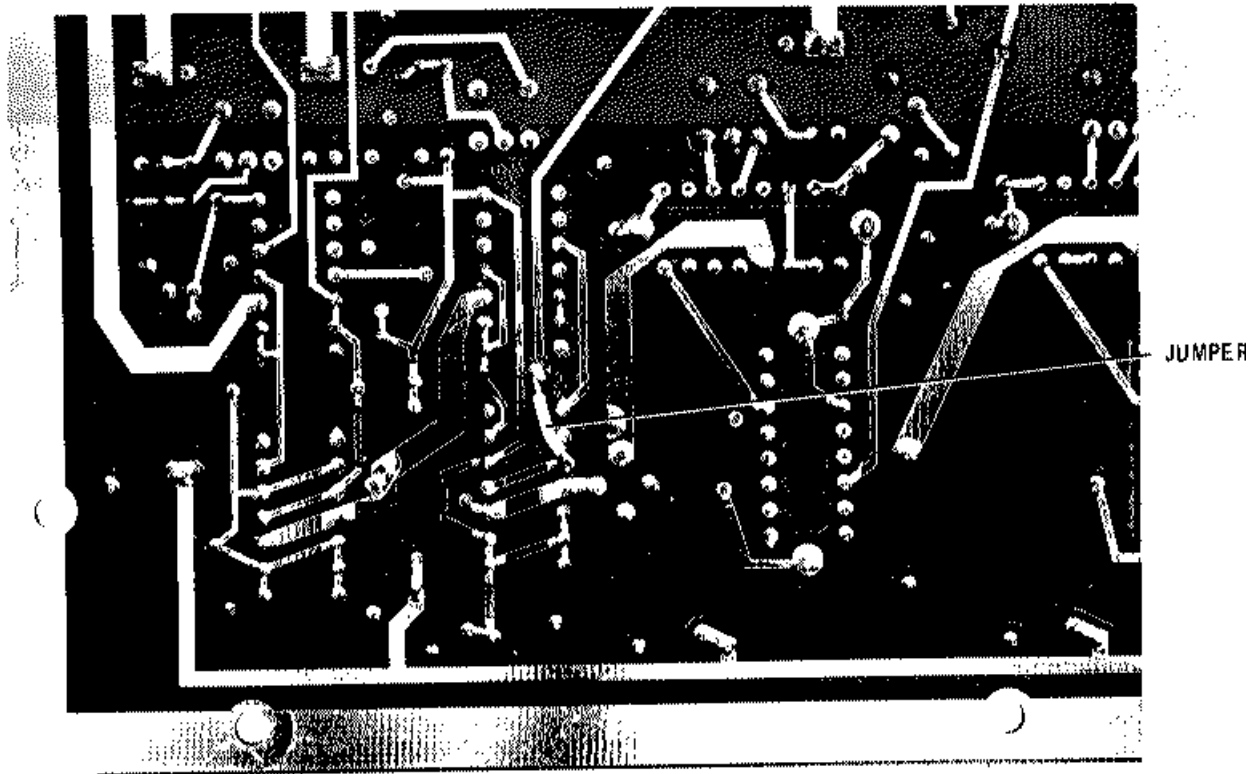


Figure 7-11. A10A2 RF Divider Assembly Modification

Model 8640B

INSTRUMENT MODIFICATIONS

7-50. Power Supply Improvement (Serial Prefix 1313A and Below)

7-51. On instruments with serial number prefix 1313A and below, the reliability of the voltage regulators in the power supply can be improved by adding pre-loading resistors as follows (refer to Service Sheets 22 and 23):

1. On A18 -5.2V Regulator and Fan Driver Assembly (with part number 08640-60004), add R19 2610 ohms (HP 0698-7246) between pins 5 and 6 of U1.
2. On A20 +5.2V and +44.6V Regulator Assembly (with part number 08640-60005), add R27 2610 ohms (HP 0698-7246) between pins 5 and 6 of U1.
3. On A22 +20V and -20V Regulator Assembly (with part number 08640-60006), add R26 10 k Ω and R27 to 10 k Ω (HP 0698-7260), between pins 5 and 6 of U2 and U1 respectively.

NOTE

The resistors are most easily installed by carefully lifting the leads (pins 5 and 6) of the integrated circuits out of the holes, inserting a wire or test-point type of pin in the holes, and then soldering both the resistor and integrated circuit leads to the pins.

7-52. A10A2 RF Divider Assembly Improvement (Serial Nos. 1316A00464 and Below)

7-53. On instruments with serial numbers 1316A00464 and below and an A10OA2 Assembly with an 08640-60023 part number, C5 1000 pF (from collector of Q3 to ground) can cause spurious signals from 500-1000 MHz. To prevent this, remove C5 (see Service Sheet 11).

7-54. Improved Audio Output Level Flatness (Serial Prefixes 1244A through 1316A)

7-55. On instruments with serial number prefixes 1244A through 1316A, changing R1 (see Service Sheet 9 or 9A) requires that the AUDIO OUTPUT LEVEL knob be changed (MP9, Standard, MP6 Option 001); order part number HP 0370-2387 (1V knob for standard oscillator) or HP 0370-2381 (3V knob for Option 001 oscillator). Perform the modulation oscillator adjustment in Section V.

7-56. A8A4 Counter Display Assembly Improvement (Serial Prefixes 1323A and Below)

7-57. On instruments with serial number prefix 1323A and below, and an A8A4 Assembly with an 08640-60025 part number, if the time base UNCAL lamp burns out, the time base will not be calibrated. To prevent this, refer to Service Sheet 20 and add R5, 46.4 kS2 (HP 0698-7276) across the leads of UNCAL lamp DS1. To accommodate R5, change R3 to a smaller size 51.1 k Ω resistor (HP 0698-7277).

7-58. Improved FM Bandwidth on 5 kHz Deviation Range (Serial Number Prefixes 1323A and 1327A)

7-59. A slight peaking in FM deviation at approximately 200 kHz rates may be reduced by adding A9C8. See paragraph 5-21 for selection of the proper value.

7-60. Improved Noise Performance (Serial Prefixes 1327A and Below)

7-61. On instruments with serial number prefix 1327A and below, the SSB noise floor and residual AM may be improved by increasing the breakdown voltage of A26A4VR2 to 16.2V (see Service Sheet 12). With the generator in a non-pulse modulation mode, the old breakdown diode (14.7V) may conduct slightly and turn on A26A4Q7. The noise generated by the low level diode breakdown is amplified by A26A4Q7 and Q5, and appears on the output signal as AM noise. To make the modification, order HP Part Number 1902-0184 and replace A26A4VR2 on A26A4 AGC Amplifier Assembly. Check the operation of the generator's pulse modulation and check either residual AM or the SSB noise floor.

7-62. A10A2 RF Divider Assembly Improvement (Serial Number Prefixes 1333A and Below)

7-63. Spurious response and second harmonic level can be reduced by adding a 1000 pF capacitor (HP 0160-3456) between the heat sink (-5.2V line) of A10A2U14 and ground. Some RF Divider boards have holes to accommodate the new capacitor. If the board does not, solder the capacitor (C54) directly to the heat sink lead (-5.2V) and to the ground plane.

Model 8640B

INSTRUMENT MODIFICATIONS

7-64. A18, A20, and A22 Power Supply Regulator Improvements (Serial Number Prefixes 1333A and Below)

7-65. Changing the power supply regulator driver transistors will reduce the possibility of oscillation. If any of the power supplies oscillate, change either A18Q2, A20Q2, or A22Q2 and Q3 to a new transistor (HP 1854-0232) with a lower cutoff frequency (15 MHz as opposed to 200 MHz). After completion of the modification, perform the Power Supply Adjustments and the appropriate performance tests (see Post-Repair Tests and Adjustments table in Section V).

7-66. Time Base Vernier and Pot Replacement (Serial Prefix 1333A and Below)

7-67. On instruments with serial number prefix 1333A and below, changing the TIME BASE VERN knob will also require changing the TIME BASE VERN pot A8A4R1. The old knob (HP 08640-40007), which is no longer available, extended through a hole in the front window and would occasionally bind. The new knob stands in front of the window and requires a pot with a longer shaft. Also, since the new knob has a larger skirt, it may be desirable (but is not necessary) to replace the front window (MP35) since the skirt will slightly cover some of the markings near it. The window has the same part number as before, but the silk-screening has been revised to accommodate the new knob.

NOTE

Instruments with serial prefix 1339 have the old knob but the new pot and window.

7-68. To make the modification, order the parts listed below:

Qty.	Description	Part Number
1	Knob, TIME BASE VERN	08640-40067
1	Resistor, Var, 5k ohm/SPST SW	2100-0647
1	Window, Front	08640-40049

7-69. Replacement of the pot is straightforward. To gain access to the part, remove the A8A2 assembly as described in Service Sheet B.

7-70. A11 Variable Frequency Modulation Oscillator Improvements (Serial Number Prefixes 1339A and Below)

7-71. Distortion in the Variable Frequency Modulation Oscillator (Option 001) at high frequencies can be reduced by changing AllQ1. (Refer to Service Sheet 9A.) The new transistor has a higher frequency response. Distortion will improve mainly on the x3k band (60 to 600 kHz) and only for the signal at the audio output jacks. The change will not affect the signal into the AM and FM circuits.

7-72. To make the modification, order HP Part Number 1853-0050 and replace A11Q1 on All Variable Frequency Modulation Oscillator. Perform the Internal Modulation Oscillator Test (check voltage levels only) and the Internal Modulation Oscillator Distortion Test (Option 001).

7-73. A12 Rectifier Assembly Input Crowbar Failures (Serial Number Prefixes 1339A and Below)

7-74. If the input crowbar SCR A12Q1 should fail, do not replace it. Instead, the entire A12 Rectifier Assembly should be replaced with a new assembly. HP Part Number 08640-60190. The crowbar on the new assembly has a built-in protection circuit and time delay. As a temporary measure, the old A12Q1 and A12VR1 (refer to Service Sheet 22) should be removed until replaced by the new assembly. The assembly is located directly behind the power transformer.

CAUTION

With the input crowbar disabled, care must be taken to ensure that the Line Power Module is set to the correct line voltage. Failure to do so could result in severe damage to major portions of the instrument. Also check that the proper line fuse is in place.

Model 8640B

INSTRUMENT MODIFICATIONS

7-75. Reliability Improvements in AM and Pulse Circuits (Serial Number Prefixes 1345A and Below)

7-76. The reliability of some of the switching logic in the AM and pulse circuits (especially at elevated temperatures) can be improved by changing certain germanium diodes to hot carrier diodes. The new diodes will prevent the possibility of the RF detector filter capacitors (A26A1C5, C6 or C7) being switched in when not selected. This can occur if the reverse leakage current through the diodes (which flows from the +20V to the +5.2V supply) is sufficient to turn on transistors A26A2Q8 or Q9 (refer to Service Sheet 13).

7-77. To make the modification, order HP Part Number 1901-0539. On A26A2 AM/Offset and Pulse Switching Assembly, replace A26A2CR9 and CR13.

7-78. All Variable Frequency Modulation Oscillator (Option 001) Improvement (Serial Number Prefixes 1350A and Below)

7-79. Possibility of failure of the Variable Frequency Modulation Oscillator (Option 001) can be reduced by adding insulator A11MP17 between spur gear A11A1MP3 and the variable capacitor A11C1. The insulator prevents the shaft or metal insert in the gear from shorting the capacitor to ground. This modification is recommended at time of oscillator service or repair.

7-80. Install insulator as follows:

- a. Order HP part number 08640-00087 (insulator),
- b. Remove All Variable Frequency Modulation Oscillator (see Service Sheet D).
- c. Remove two 4-40 pan-head screws and two hex-nuts which secure the Audio Oscillator Cover. Remove cover.
- d. Remove adhesive backing from insulator and apply to the tuning capacitor, behind the plastic gear A11A1MP3 and small spur gear A11AMP2.

NOTE

If there is insufficient clearance for the insulator between gears and capacitor, perform step e.

- e. Remove back cover from the oscillator.

Then loosen three nylon screws which secure the tuning capacitor to the PC board. This will allow a small amount of shift in the capacitor's position and afford clearance for the insulator. Tighten nylon screws and reassemble back cover.

- f. Replace Audio Oscillator Cover and reinstall All assembly (see Service Sheet D).

- g. Perform Internal Modulation Oscillator Test in Section IV. If out of specification, perform Variable-Frequency Modulation Oscillator Adjustment (Option 001) in Section V.

7-81. Improvement in Lock Acquisition Capability (Serial Number Prefixes 1350A and Below)

7-82. The counter may fail to lock on random occasions. This may be caused by the time base signal present at A8A2TP6 which might instantaneously exceed the phase lock error detector threshold when going into the lock mode. Should this occur, connect a 1000 pF capacitor A8A2C31, HP Part Number 0160-3456, between the line connecting to A8A2TP6 and ground.

7-83. +44.6V Regulator Improvement (Serial Number Prefixes 1405A and Below)

7-84. Changing A20Q4 regulator transistor to one with a lower cutoff frequency will reduce the possibility of oscillation. The recommended transistor is HP 1853-0224. After modification perform the Power Supply Adjustment for the +44.6V supply (Section V).

7-85. Line Switch Modification (Serial Number Prefixes 1406A and Below)

7-86. If the line fuse blows as the instrument is switched off the line switch and line power assembly wiring (W16) should be modified as explained

Model 8640B

INSTRUMENT MODIFICATIONS

below. The fuse blows because of a momentary short on the primary input that can occur on a switch terminal used in wiring the pilot lamp. The modification is simple and requires no special tools.

7-87. Modify the switch as follows:

- a. Remove the power line cord.
- b. Remove instrument bottom cover and side cover nearest line power assembly.
- c. Remove nut that secures line switch to front panel and lift line switch free of instrument.
- d. Slip insulation tubing off line switch to expose wiring.
- e. Remove white-green-gray (958) wire from switch and clip off near cable sleeve. This wire will no longer be used.
- f. Unsolder resistor lead from terminal where the white-green-gray (958) wire was previously attached and solder it to the terminal where the white-red-gray (928) wire is attached. Switch wiring should now appear as in Figure 7-12.

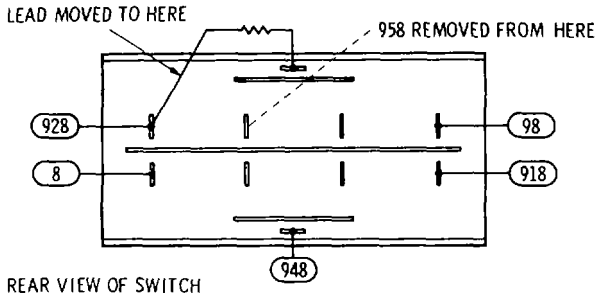


Figure 7-12. Modified Line Switch Wiring

- g. Slip insulation tubing back over switch and install switch into front panel.
- h. Remove white-green-gray (958) wire from terminal C of line power assembly and clip off near cable sleeve.
- i. Unsolder white-yellow-gray (948) wire from terminal E and solder it to terminal D (where black-green (05) wire is also attached).
- j. Insert power cord and check instrument for proper line switch operation.
- k. Reinstall covers.

7-88. Reduction in Popcorn Noise on Power Supplies (Serial Number Prefixes 1406A and Below)

7-89. Excessive popcorn noise (i.e., random voltage shifts on the order of 1 mV) can be reduced by changing the IC regulator (A18U1, A20U1 and U2, A22U1 and U2) to HP 1826-0177. The noise can cause random shifts in frequency of the RF oscillator which is particularly sensitive to noise on the $\pm 20V$ supplies. After modification perform the Power Supply Adjustments (Section V).

7-90. Recommended Fuse Replacement for 220/240V Operation (Serial Number Prefixes 1423A and Below)

7-91. The recommended replacement for the power line fuse FI to 220 or 240V operation is 1.25A normal blow, HP Part Number 2110-0094. The higher current rating will prevent occasional blowing of the fuse at turn on.

7-92. To show the new fuse rating on the line power module, an adhesive-backed label is available (A14MP1, HP Part Number is 7120-4264).

7-93. "REDUCE PEAK POWER" Lamp Drive Modification (Serial Number Prefix 1526A and Below)

7-94. In some instruments, the REDUCE PEAK POWER annunciator lamp will come on or glow dimly when no error condition exists. This is the result of leakage through A26A4Q8 turning on Q9 (see Service Sheet 12).

Model 8640B

INSTRUMENT MODIFICATIONS

7-95. The problem may be corrected as follows:

- a. Remove Q8.
- b. Solder a jumper between the base and emitter holes where Q8 was loaded.
- c. If the circuit has R54 (825 ohm collector resistor for Q8), carefully unsolder it.

- d. Remove R44 (42.2K).
- e. Solder the 825 ohm resistor in place of R44. The HP Part Number is 0757-0421.
- f. Check operation by increasing the CW RF output level above +19 dBm. The REDUCE PEAK POWER lamp should light at a level between +19 and +22 dBm.

Model 8640B

SECTION VIII SERVICE

8-1. INTRODUCTION

8-2. This section provides instructions for troubleshooting and repairing the Hewlett-Packard Model 8640B Signal Generator.

8-3. Principles of operation and troubleshooting information are located opposite the schematics on the foldout Service Sheets. The last foldout in this manual has top and bottom internal views of the instrument showing the locations of the major assemblies and some of the chassis parts. The next-to-last foldout has top and bottom internal views with the covers removed from the castings; these views show the locations of the sub-assemblies, the adjustments, and most of the instrument's test points.

8-4. The rest of this section has general service information that should help you to quickly service and repair the Signal Generator.

8-5. PRINCIPLES OF OPERATION

8-6. Principles of operation appear on the foldout pages opposite the block diagrams and the schematics on the Service Sheets. Service Sheet 1 is an overall block diagram that briefly describes overall instrument operation. It is keyed, by the numbers in the lower, right-hand corners of the blocks on the diagram, to the detailed block diagrams. They provide an assembly-by-assembly description of instrument operation.

8-7. The detailed block diagrams, in turn, are keyed to the schematics on the Service Sheets that follow them. These Service Sheets provide a stage-by-stage description of the circuits on the schematics. The stages are keyed to the descriptions by the stage names that appear on the schematics.

NOTE

Table 8-3, Schematic Diagram Notes, explains any unusual symbols that appear on the schematics. The table also explains the switch-wafer numbering system.

8-8. TROUBLESHOOTING

8-9. This manual provides two methods to isolate a problem to a particular assembly. The first method is to use the results of the performance tests (given in Section IV) and the table of Post-Repair Performance Tests and Adjustments, found in Section V. More information about this method is given in Section V.

8-10. Overall Troubleshooting. The second, and primary, troubleshooting method is to use the overall block diagram (found on Service Sheet 1) and the troubleshooting block diagrams that follow it to isolate a problem to a particular assembly or circuit. The troubleshooting information on Service Sheet 1 explains how to use the block diagrams.

8-11. Circuit-Level Troubleshooting. Once a problem has been isolated to a particular assembly or circuit, the text and a table on the service sheet that documents that circuit give detailed troubleshooting information for the circuit.

8-12. RECOMMENDED TEST EQUIPMENT

8-13. Test equipment and test equipment accessories required to maintain the Signal Generator are listed in Tables 1-2 and 1-3. Equipment other than that listed may be used if it meets the listed critical specifications.

8-14. SERVICE AIDS

8-15. Posidriv Screwdrivers. Many screws in the instrument appear to be Phillips, but are not. To avoid damage to the screw slots, Posidriv screwdrivers should be used.

8-16. Service Kit. The following parts can be ordered for use in a service kit for the generator. (Before ordering, check to ensure that they are not on hand; most of them are common to service kits for other Hewlett-Packard instruments.)

Model 8640B

- 1 SMC Adapter HP 1250-0827
- 2 Test Cables SMC to BNC.....HP 11592-60001
- 1 Extender Board - 20 pins..... HP 5060-0256
- 2 Bumpers (for Board)..... HP 0403-0115

8-17. Spare Parts Kit. The HP 08640-60095 Spare Parts Kit contains miscellaneous mechanical spare parts for the generator such things as nuts, bolts, screws and washers.

8-18. Extender Board. An extender board is supplied with the generator that can be used to extend all circuit boards (except the A10OA2 RF Divider Assembly and the A12 Rectifier Assembly) that are not accessible by removing a casting cover. The RF Divider Assembly is self-extending just remove the riser board and insert the RF Divider Assembly into the riser's slot. Figure 8-1 shows the extender board in use and the RF Divider Assembly extended.

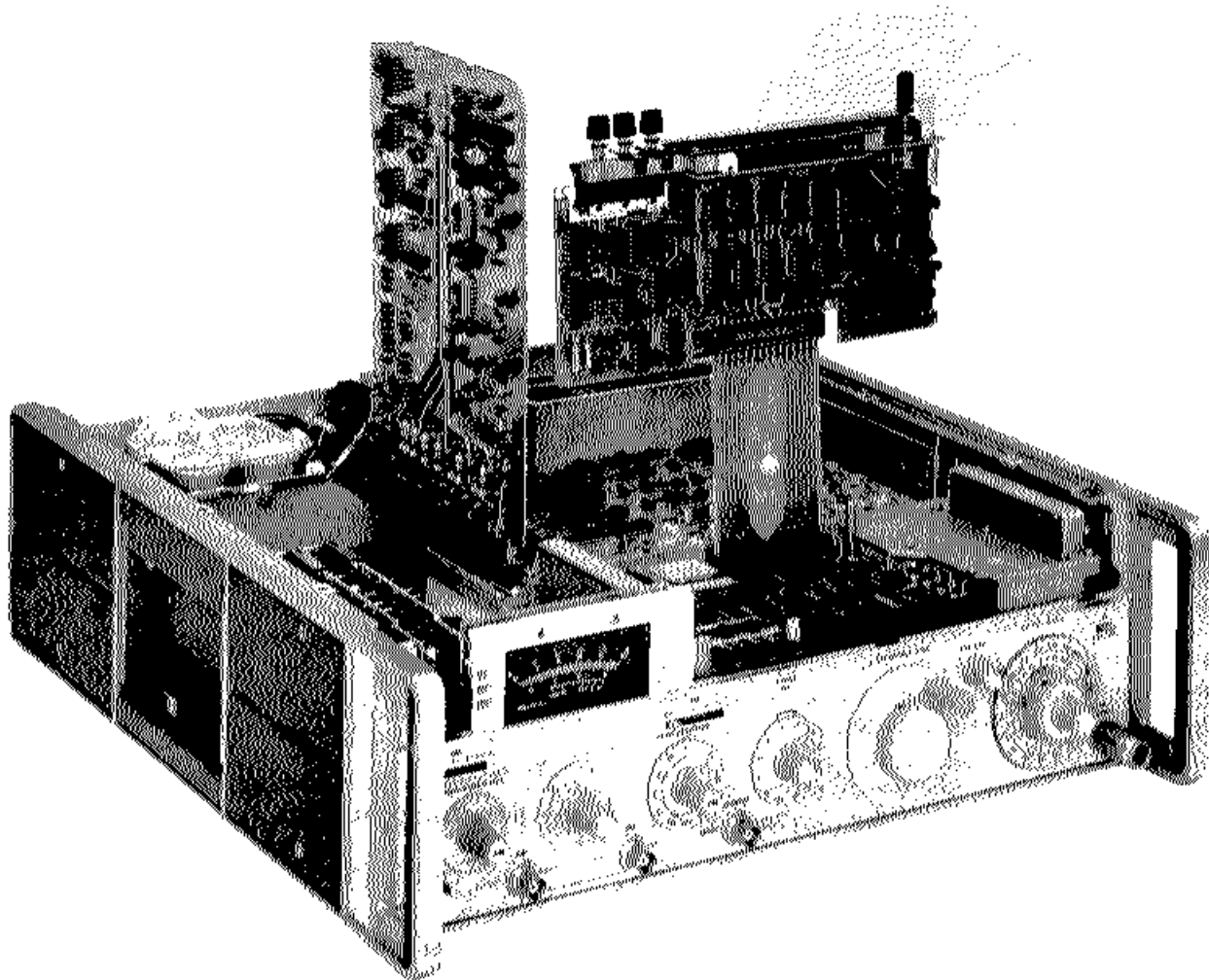


Figure 8-1. Signal Generator With Circuit Boards on Extenders
8-2

Model 8640B

8-19. Wrench. A wrench is supplied with the generator with one end that fits the SMC connectors used on the generator's RF cables and the other end that fits another common SMC connector that may be used in servicing.

8-20. Spare Fuses and IC Regulator. The plastic box mounted on the chassis filter capacitors contains spare fuses and an IC regulator for the power supply voltage regulators.

8-21. Part Location Aids. The locations of some chassis-mounted parts and the major assemblies are shown on the last two foldouts in this manual. The locations of individual components mounted on printed circuit boards or other assemblies are shown on the appropriate schematic diagram page or on the page opposite it. The part reference designator is the assembly designator plus the part designator (for example, A6R9 is R9 on the A6 assembly). For specific component description and ordering information refer to the parts list in Section VI.

8-22. Servicing Aids on Printed Circuit Boards. The servicing aids include test points, transistor and integrated circuit designations, adjustment callouts and assembly stock numbers.

8-23. REPAIR

8-24. Factory Selected Components

8-25. Some component values are selected at the time of final checkout at the factory (see Table 5-1). Usually these values are not extremely critical; they are selected to provide optimum compatibility with associated components. These components are identified on individual schematics by an asterisk (*). The recommended procedure for replacing a factory-selected part is as follows:

a. Try the original value, then perform the calibration test specified for the circuit in the performance and adjustment sections of this manual.

b. If calibration cannot be accomplished, try the typical value shown in the parts list and repeat the test.

c. If the test results are still not satisfactory, substitute various values within the tolerances specified in Table 5-1 until the desired result is obtained.

8-26. Etched Circuits

8-27. The etched circuit boards in the Signal Generator are of the plated-through type consisting of metallic conductors bonded to both sides of insulating material. The metallic conductors are extended through the component mounting holes by a plating process. Soldering can be done from either side of the board with equally good results. Table 8-1 lists recommendations and precautions pertinent to etched circuit repair work.

a. Avoid unnecessary component substitution; it can result in damage to the circuit board and/or adjacent components.

b. Do not use a high-power soldering iron on etched circuit boards. Excessive heat may lift a conductor or damage the board.

c. Use a suction device (Table 8-1) or wooden toothpick to remove solder from component mounting holes. **DO NOT USE A SHARP METAL OBJECT SUCH AS AN AWL OR TWIST DRILL FOR THIS PURPOSE. SHARP OBJECTS MAY DAMAGE THE PLATED-THROUGH CONDUCTOR.**

d. After soldering, remove excess flux from the soldered areas and apply a protective coating to prevent contamination and corrosion. (Avoid getting flux remover on the printed circuit board extractors.) See Table 8-1 for recommendation.

8-28. Etched Conductor Repair

8-29. A broken or burned section of conductor can be repaired by bridging the damaged section with a length of tinned copper wire. Allow adequate overlay and remove any varnish from etched conductor before soldering wire into place.

8-30. Component Replacement

8-31. Remove defective component from board.

NOTE

Although not recommended on boards with high-frequency signals or where both sides of a board are accessible, axial lead components, such as resistors and tubular capacitors, can be replaced without unsoldering. Clip leads near body of defective component, remove component and straighten leads left in board. Wrap leads of replacement component one turn around original leads. Solder wrapped connection and clip off excess lead.

Model 8640B

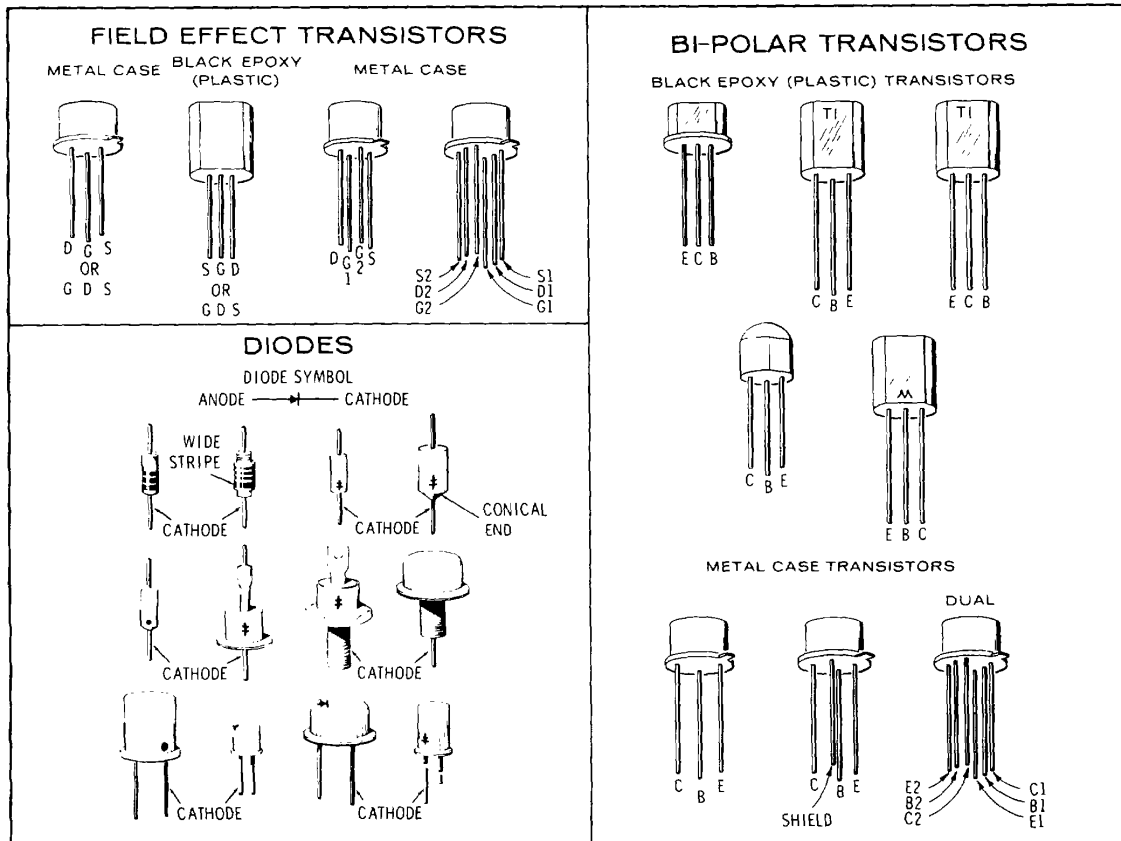


Figure 8-2. Examples of Diode and Transistor Marking Methods

Table 8-1. Etched Circuit Soldering Equipment

Item	Use	Specification	Item Recommended
Soldering tool	Soldering, unsoldering	Wattage range: 37-50; Tip Temp: 750-800°	Ungar #766 handle w/*Ungar#1237 heating unit
Soldering Tip	Soldering, unsoldering	*Shape: pointed	*Ungar#PL111
De-soldering Aid	To remove molten solder from connection	Suction device	Soldapullt by Edsyn Co., Arleta, California
Resin (flux) Solvent	Remove excess flux from soldered area before application of protective coating	Must not dissolve etched circuit base board	Freon; Acetone; Lacquer Thinner
Solder	Component replacement Circuit board repair Wiring	Resin (flux) core, high tin content (60/40 tin/lead), 18 gauge (SWG) preferred	
Protective	Contamination, corrosion protection	Good electrical insulation; corrosion prevention properties -	Silicone Resin such as GE DRI- FILM**88

* For working on circuit boards: for general purpose work, use Ungar No. 4037 Heating Unit (471/2-561/2W) tip temperature of 850-900 degrees) and Ungar No. PL113 1/8" chisel tip.

** General Electric Co., Silicone Products Dept., Waterford, New York, U.S.A.

Model 8640B

8-32. If component was unsoldered, remove solder from mounting holes, and position component as original was positioned. **DO NOT FORCE LEADS INTO MOUNTING HOLES;** sharp lead ends may damage plated-through conductor.

8-33. Transistor Replacement. Transistors are packaged in many physical forms. This sometimes results in confusion as to which lead is the collector, which is the emitter, and which is the base. Figure 8-2 shows typical epoxy and metal case transistors and the means of identifying the leads.

8-34. To replace a transistor, proceed as follows:

- a. Do not apply excessive heat; see 'able 8-1 for recommended soldering tools.
- b. If possible, use long-nose pliers between transistor and hot soldering tools.
- c. 1When installing replacement transistor, ensure sufficient lead length to dissipate soldering heat by using about the same length of exposed lead as used for original transistor.
- d. Integrated circuit replacement instructions are the same as those for transistors.

8-35. Some transistors are mounted on heat sinks for good heat dissipation. This requires good thermal contact with mounting surfaces. To assure good thermal contact for a replacement transistor, coat both sides of the insulator with Dow Corning No. 5 silicone compound or equivalent before fastening the transistor to the chassis. Dow Corning No. 5 compound is available in 8 oz. tubes from Hewlett-Packard; order HP Part No. 8500-0059.

8-36. Diode Replacement. Solid state diodes have many different physical forms. This sometimes results in confusion as to which lead is the anode (positive), since not all diodes are marked with the standard symbols. Figure 8-2 shows examples of some diode marking methods. If doubt exists as to polarity, an ohmmeter may be used to determine the proper connection. It is necessary to know the polarity of the ohms lead with respect to the common lead for the ohmmeter used. (For the HP Model 410B Vacuum Tube Voltmeter, the ohms lead is negative with respect to the common; for the HP Model ,412A DC Vacuum Tube Voltmeter,

the ohms lead is positive with respect to the common). When the ohmmeter indicates the least diode resistance, the cathode of the diode is connected to the ohmmeter lead which is negative with respect to the other lead.

NOTE

Replacement instructions are the same as those listed for transistor replacement.

8-37. Illustrated Parts Breakdowns

8-38. Illustrated parts breakdowns for the generator's major assemblies are given on Service Sheets A through E. They are keyed to disassembly and removed instructions (given on the alphabetical service sheets) and to the replaceable parts list given in Section VI.

8-39. BASIC CIRCUIT THEORY

8-40. Binary Circuits and Symbols

8-41. Introduction. The binary circuits and symbols used in this manual are as shown in Figure 8-3. This instrument uses three different families of logic circuits: TTL, ECL, and EECL. Most of the logic devices used in this instrument are TTL; there are notes on the Service Sheets that contain non-TTL devices that indicate what families the devices belong to. Table 8-2 indicates the voltage levels that are associated with each family. The table also shows the effect that an open and a ground has on each family.

8-42. In general, binary signals that are active-low are indicated with an L in parenthesis (e.g., CLOCK(L) indicates a clock signal that is active-low). Active-high signals are indicated with an H in parenthesis. A circle at an input indicates that it is active-low or triggers on a low-going edge; a circle at an output indicates inversion or that the output is active-low. Active-high inputs, inputs which trigger on a high-going edge, and active-high outputs are shown without the circle. Complementary outputs are usually designated with a not-bar (e.g., the complement of J/K flip-flop's Q output is its \bar{Q} output). Both Q and \bar{Q} may be simultaneously high in some instances (e.g., when both SET and CLEAR are low on some D flip-flops).

Model 8640B

NOTE

The term "binary coded decimal" (or BCD) refers to four-bit binary circuits that range from decimal 0 to 9 in 8421 code.

The term "binary", when applied to four-bit binary circuits, refers to circuits that range from decimal 0 to 15 in 8421 code.

8-43. Trigger (T) inputs are usually high-going (edge sensitive) unless there is a circle at the input (which would make them low-going). All other inputs are usually level sensitive.

Table 8-2. Logic Levels

Logic Voltage Levels

LOGIC	TTL	ECL	EECL
High (1)	>, 2V	> -0.5V	--0.1
Low (0)	< 0.5V	< -1.5V	< -1.6V
< = more negative than			
> = more positive than			

Input Conditioning

INPUT	TTL	ECL	EECL
Grounded	Low (0)	High (1)	High (1)
Open	High (1)	Low (0)	Low (0)
Ground = 0V			

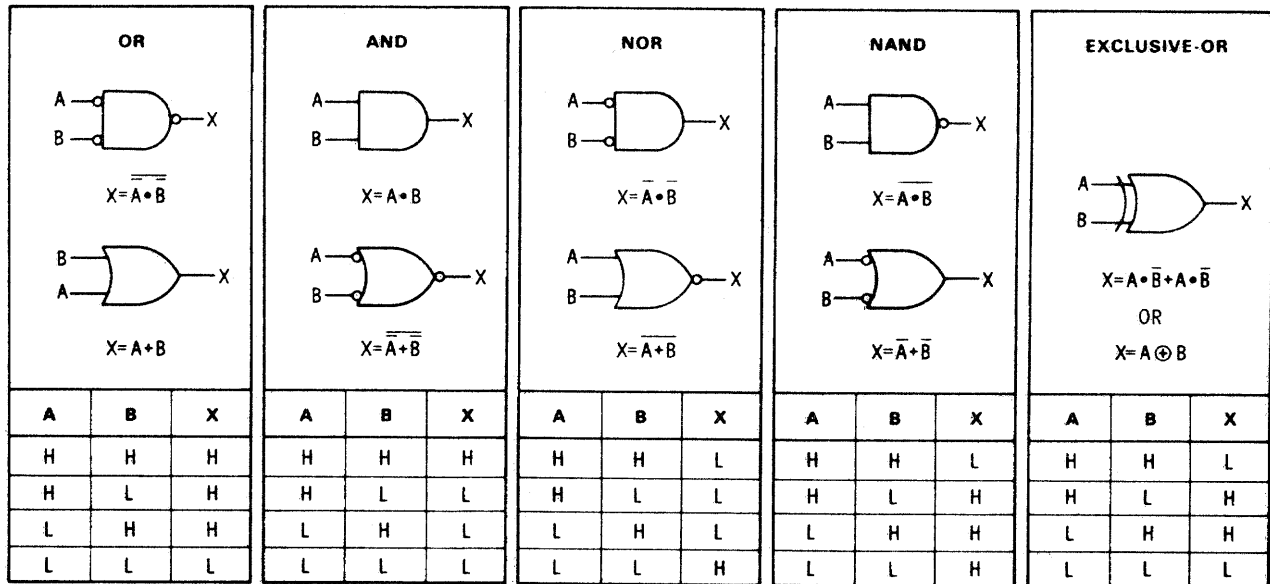


Figure 8-3. Binary Symbols
8-6

8-44. Triggered Flip-Flop. There are two kinds of triggered flip-flops. The bistable triggered flip-flop toggles (changes states) each time the trigger input (T) changes states (shown in Figure 8-4). This effectively divides the input by two, giving one output pulse at the Q output for every two input pulses.

8-45. The monostable triggered flip-flop's Q output goes high when triggered by the T input. However, after a set amount of time (determined either by the flip-flop's configuration or unless retriggered) the Q output automatically returns to its original state. The monostable flip-flop (or one shot) is used to stretch or shape pulses.

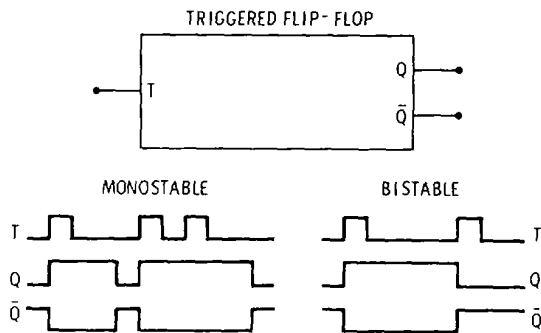


Figure 8-4. Triggered Flip-Flop

8-46. D Flip-Flop. The D-type flip-flop, shown in Figure 8-5, is used as a storage latch or buffer. The information at the data input (D) is transferred to the Q output when the trigger input (T) is high-going. Once the T input has passed its threshold, the D input is locked out and the Q outputs do not change until another high-going transition occurs at the T input.

8-47. The set (S) and clear (CLR) inputs override all other input conditions: when set is low, the Q output is forced high; when clear is low, the Q output is forced low. Although normally the Q output is the complement of the Q output, simultaneous low inputs at S and CLR will force both Q and Q high on some D flip-flops.

8-48. Schmitt Trigger. A typical Schmitt Trigger is shown in Figure 8-6. Some Schmitt triggers have complementary outputs. The device initially triggers when the input signal passes a voltage reference called

the upper trip point. It triggers back into its initial state when the input voltage passes a voltage reference called the lower trip point. One or both trip points may be indicated.

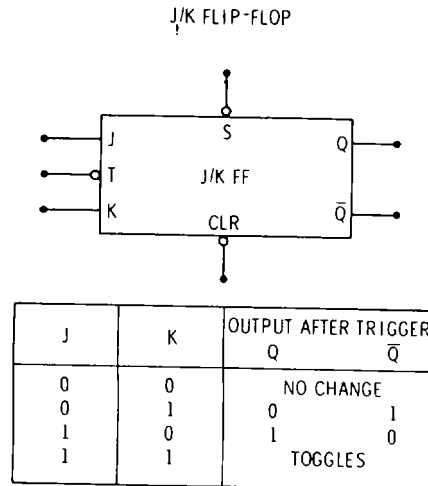


Figure 8-5. D-Flip-Flop

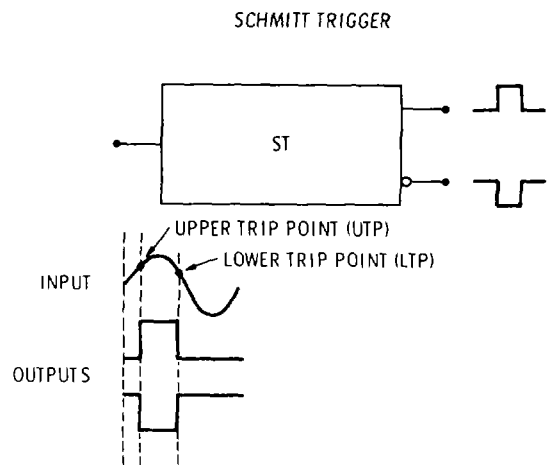


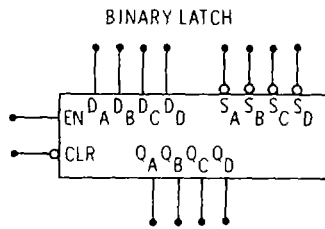
Figure 8-6. Schmitt Trigger

8-49. J/K Flip-Flop. Figure 8-7 shows a typical J/K flip-flop. The trigger (T) input is activated by a low-going signal as indicated by the circle on the symbol. Flip-flop response is determined by the values of the J and K inputs at the instant that a low-going signal is applied to the trigger input:

- a. When J and K are low, the Q outputs will not change state.

- b. When K is high and J is low, Q will go low (unless it is already low).
- c. When K is low and J is high, Q will go high (unless it is already high).
- d. When K and J are both high, the flip-flop will toggle. That is, if Q is high, the trigger pulse will set Q low, and if Q is low, the trigger pulse will set Q high.

8-50. The set (S) and clear (CLR) inputs override all other input conditions: when S is low, Q is forced high; when CLR is low, Q is forced low. Although normally the Q output is the compliment of the Q output, simultaneous low inputs at S and CLR will force both Q and Q high on some J/K flip-flops.



BEFORE CLOCK	AFTER CLOCK
INPUT D _n	OUTPUT Q _n
0	0
1	1

Figure 8-7. J/K Flip-Flop

8-51. Multiple Input J/K Flip-Flop. A multiple input J/K flip-flop is shown in Figure 8-8. It behaves like a J/K flip-flop with NORed inputs: if A, B and C are low, J is high, if A, B or C is high, J is low. A J-related and a K-related input may be tied together to form a trigger input; in this case the trigger would be active-low (if all other inputs are low).

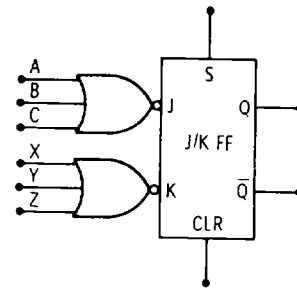
8-52. Binary Registers

8-53. Binary Latch

8-54. The four bit binary register shown in Figure 8-9 is used as a storage latch. Information at the data (D_n)* inputs is transferred to the respective Q_n outputs when

the enable (EN) input is low. When the enable goes high, the outputs are latched and are no longer affected by the data inputs.

MULTIPLE INPUT J/K FLIP-FLOP



A	X	Q	Q̄
0	0	TOGGLES	
0	1	1	0
1	0	0	1
1	1	NO CHANGE	

* A, C, Y and Z = 0

Figure 8-8. Multiple Input J/K Flip-Flop

8-55. When enabled, any output may be set (to a high) by a low on the respective set (S_n) input which overrides the data input. When not enabled, the set inputs have no effect on the outputs. 8-56. A low on the master clear (CLR) input overrides all other conditions and forces all outputs low.

8-57. Binary Shift Register

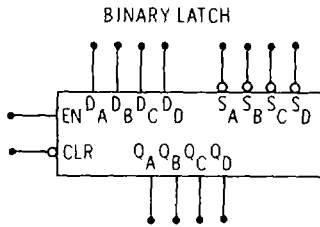
8-58. A five bit binary shift register is shown in Figure 8-10. Information of the data (D_n)* inputs is transferred to the respective Q_n outputs when the load (LD) input is high. The load input is independent of the clock (T) input.

8-59. If the load input is low, a high going clock pulse shifts the output to the next adjacent output (e.g., the output at Q_B now appears as the output of Q_C). Also, the input state at the serial (SER) input appears at the Q_A output.

* n = A, B, C, or D

8-60. A low at the clear (CLR) input clears all outputs to a low independent of the clock. The clear input overrides the load input.

the count increments by one. The counter may be preset to a count greater than nine, but in such cases the count proceeds as shown in the state diagram.

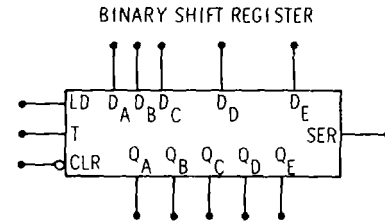


BEFORE CLOCK	AFTER CLOCK
INPUT D_n	OUTPUT Q_n
0	0
1	1

Figure 8-9. Binary Latch

8-61. Decade Counters and Symbols 8-62. Basic Counter. The basic decade counter (or scaler or divider), shown in Figure 8-11, has ten logic states. The active-high outputs (Q_A , Q_B , Q_C , and Q_D) increment by one BCD count each time the trigger (T_A) or clock input goes from a high to a low. The count sequence is also shown in the figure. The counter may be subdivided into a divide-by-two and a divide-by-five counter. The two counters are connected in series (the Q_A output connected to the T_{BD} input) to obtain a divide-by-ten counter. The counter has two ANDed clear or reset-to-zero (R_0) inputs. When both R_0 inputs are high, the outputs clear to zero. The clear function overrides the clock. Similarly, the two ANDed set or reset-to-nine (R_9) inputs set the outputs to the nine count. If all reset-to-zero and reset-to-nine inputs are simultaneously high, the reset-to-nine overrides the reset-to-zero.

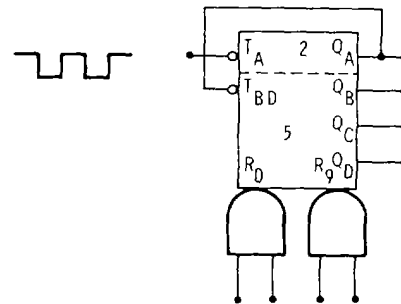
8-63. Programmable Counter. The programmable decade counter, shown in Figure 8-12, operates similarly to the basic decade counter when the load (LD) input is high. The counter shown has only a single clear (CLR) input which is active-low. When the load input is low, the information at the data (or preset) inputs (D_A , D_B , D_C , and D_D) is transferred to the outputs at the next high going clock (T) input. The outputs remain in the preset state until the load input returns to a high and the trigger (T) or clock input again goes high at which time



OUTPUT	OUTPUT STATE BEFORE CLOCK	OUTPUT STATE AFTER CLOCK
Q_A	A	SER*
Q_B	B	A
Q_C	C	B
Q_D	D	C
Q_E	E	D

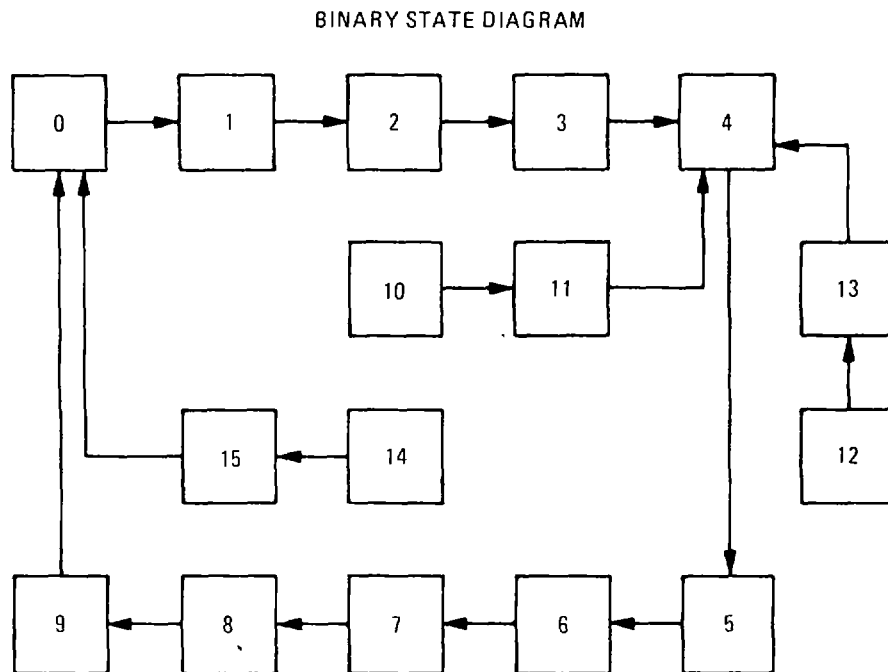
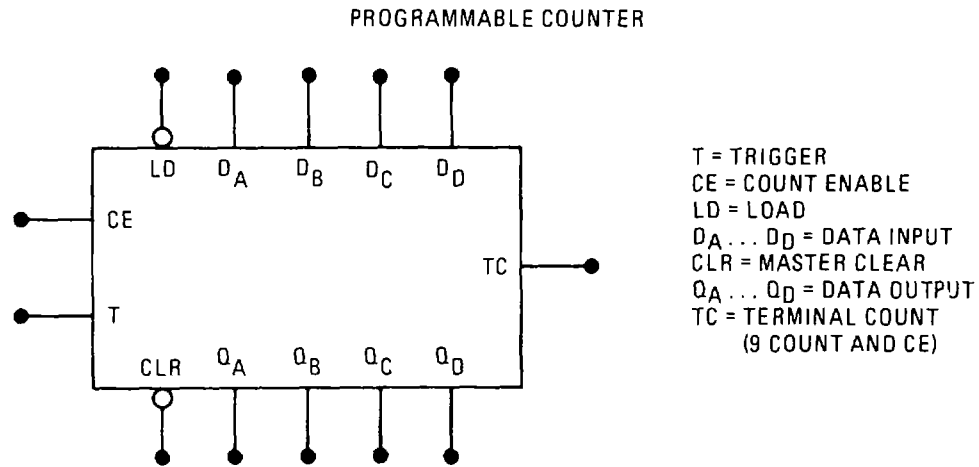
* The state of the serial (SER) input

Figure 8-10. Binary Shift Register



COUNT T_A	OUTPUT			
	Q_D	Q_C	Q_B	Q_A
0	0	0	0	0
1	0	0	0	1
2	0	0	1	0
3	0	0	1	1
4	0	1	0	0
5	0	1	0	1
6	0	1	1	0
7	0	1	1	1
8	1	0	0	0
9	1	0	0	1

Figure 8-11. Basic Decade Counter (Scaler)



COUNT	Q _D	Q _C	Q _B	Q _A	COUNT	Q _D	Q _C	Q _B	Q _A
0	0	0	0	0	5	0	1	0	1
1	0	0	0	1	6	0	1	1	0
2	0	0	1	0	7	0	1	1	1
3	0	0	1	1	8	1	0	0	0
4	0	1	0	0	9	1	0	0	1

Figure 8-12. Programmable Counter

8-64. If the counter has a count enable (CE) input, it must be held high for successive T inputs to cause the counter to increment (or count). When the counter reaches the nine count, a high at CE causes a terminal-count or carry (in this case, a high) to appear at the carry (TC) output.

8-65. A low on the clear (CLR) input clears all outputs to a low independent of any other input conditions.

8-66. Programmable Up/Down Counter. The programmable up/down counter, shown in Figure 8-13, operates similarly to the programmable counter (which could be called a programmable up counter). The up/down counter has two trigger or clock inputs, count up (CU) and count down (CD). A low-to-high transition of either count input (while the other count input is held high) increments the count by one. If both CU and CD are high, the count does not increment.

8-67. The counter's outputs (Q_A , Q_B , Q_C , and Q_D) can be set to any count from zero to fifteen by entering the count at the data inputs (D_A , D_B , D_C , and D_D) while the load input (LD) is held low. Then the count can be incremented up or down by activating either the CU or CD input.

8-68. The borrow (BRW) output is low whenever the Q outputs are at BCD zero (0000). The carry (CRY) output is low whenever the Q outputs are at BCD nine (1001). The master clear input (CLR) overrides all other input conditions and forces the Q outputs to BCD zero.

8-69. Linear Integrated Circuits

8-70. Operational Amplifier. Figure 8-14 shows a typical operational amplifier. Circuit A is a noninverting buffer amplifier with a gain of 1. Circuit B is a non-inverting amplifier with gain determined by the impedance of R1 and R2. Circuit C is an inverting

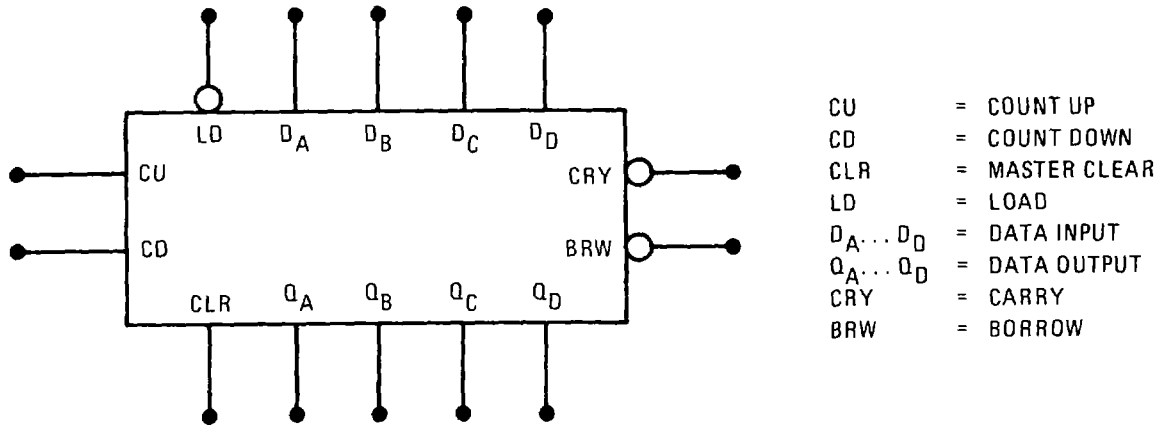
amplifier with gain determined by R2 and R1. Circuit D shows typical circuit connections and parameters. It is assumed that the amplifier has high gain, low output impedance, and high input impedance.

8-71. An operational amplifier can be characterized as an ideal voltage amplifier having low output impedance, high input impedance, and very high gain. Also the output voltage is proportional to the difference in the voltages applied to the two input terminals. In use, the amplifier output drives the input voltage difference close to zero through a negative feedback path.

8-72. When troubleshooting an operational amplifier, measure the voltages at the two inputs with no signal applied; the difference between these voltages should be less than 10 mV. A difference voltage much greater than 10 mV indicates trouble in the amplifier or its external circuitry. Usually this difference will be several volts and one of the inputs will be very close to an applied circuit operating voltage (for example, +20 V, -12 V).

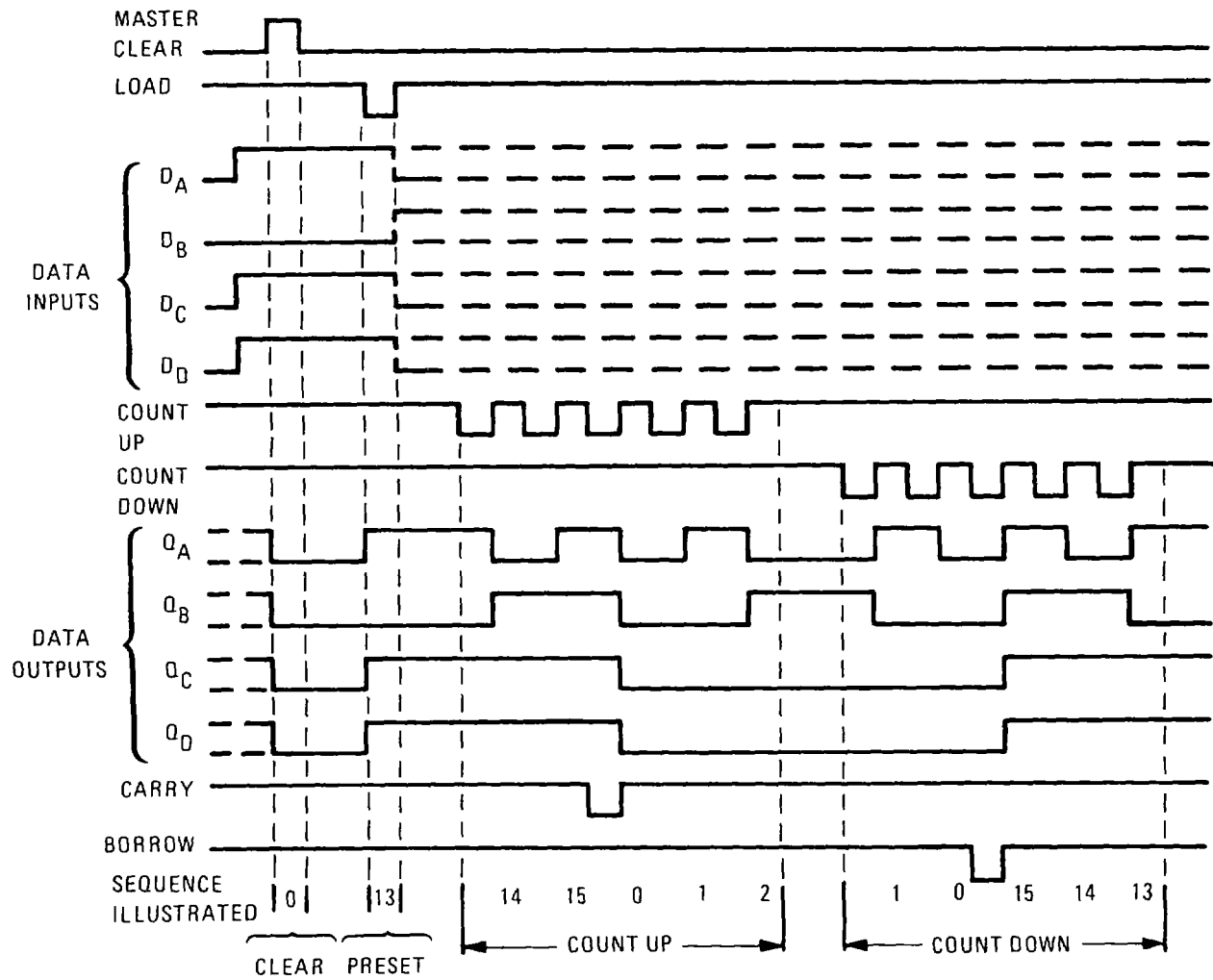
8-73. Next, check the amplifier's output voltage. It will probably also be close to one of the applied circuit potentials: ground, +20 V, -12 V, etc. Check to see that the output conforms to the inputs. For example, if the inverting input is positive, the output should be negative; if the non-inverting input is positive, the output should be positive. If the output conforms to the inputs, check the amplifier's external circuitry. If the amplifier's output does not conform to its inputs, it is probably defective.

8-74. Comparator. Comparators are used as sense amplifiers, pulse height discriminators, and voltage comparators. A voltage reference is connected to one of the amplifier's inputs as shown in Figure 8-15. When the input signal voltage crosses the reference, the output goes positive; the output remains positive until the signal re-crosses the reference.



Illustrated below is the following sequence:

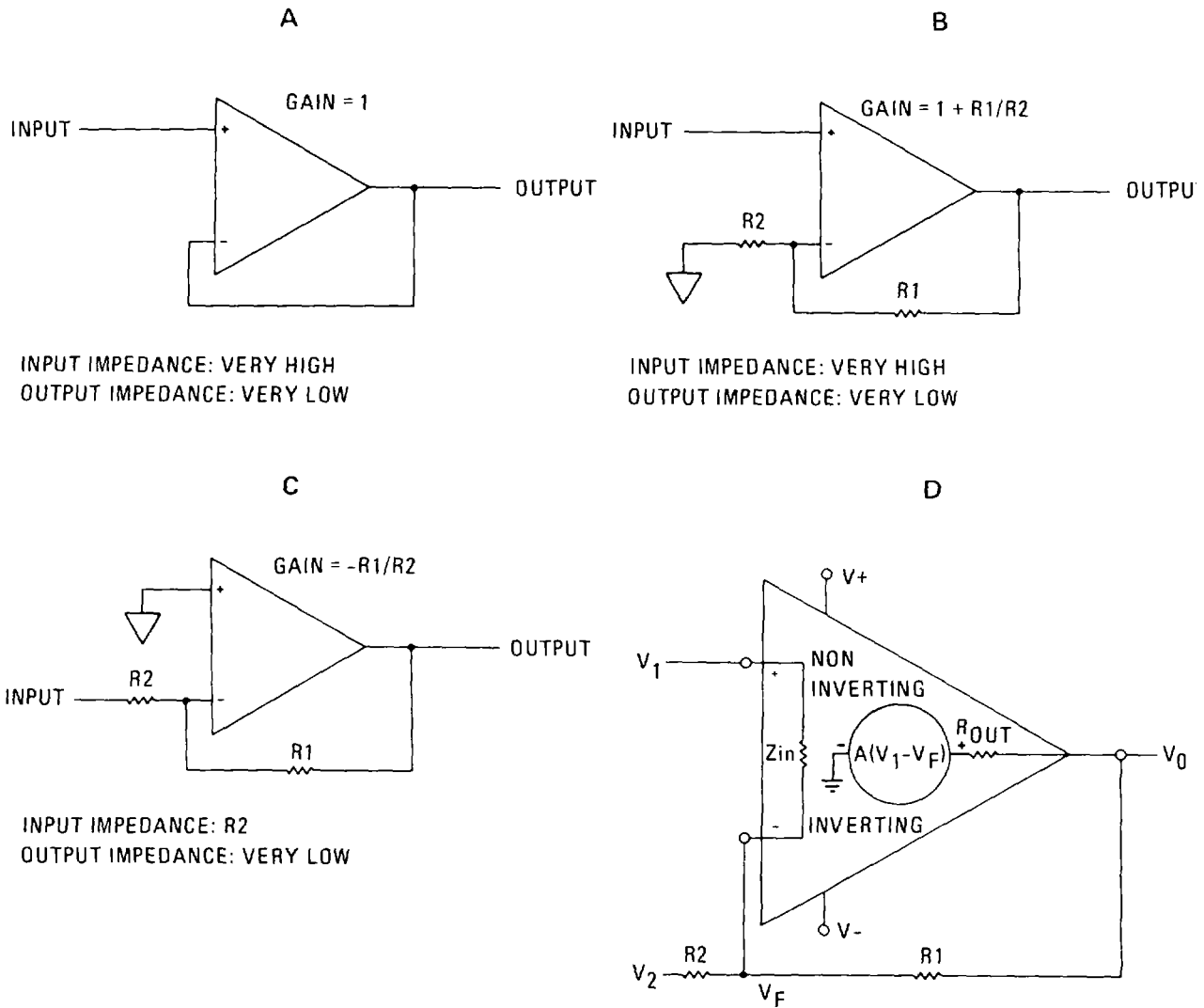
1. Clear outputs to zero.
2. Load (preset) to BCD thirteen.
3. Count up to fourteen, fifteen, carry, zero, one, and two.
4. Count down to one, zero, borrow, fifteen, fourteen, and thirteen.



NOTES: A. Clear overrides load, data, and count inputs.
 B. When counting up, count-down input is high; when counting down, count-up input is high.

Figure 8-13. Programmable Up/Down Counter

OPERATIONAL AMPLIFIER



IF "A" IS LARGE, $V_F = V_1$

(1)
$$V_0 = V_1 \left(1 + \frac{R1}{R2} \right) - V_2 \left(\frac{R1}{R2} \right)$$

(2) IF $V_2 = 0$ (∇), THEN
$$V_0 = V_1 \left(1 + \frac{R1}{R2} \right)$$

(3) IF $V_1 = 0$ (∇), THEN
$$V_0 = -V_2 \left(\frac{R1}{R2} \right)$$

Figure 8-14. Operational Amplifier

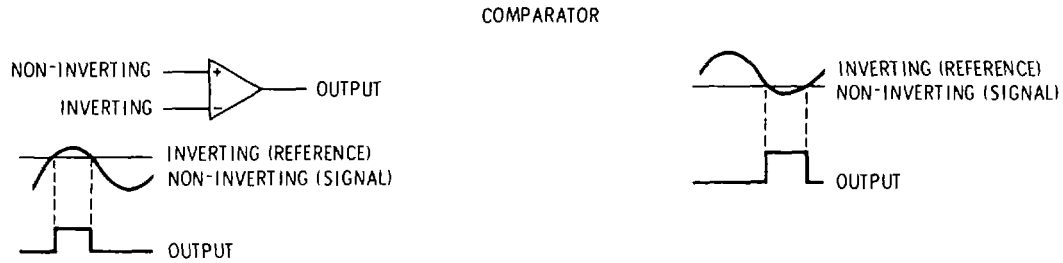


Figure 8-15. Comparator
Table 8-3. Assembly Information Index

Assembly ¹		Schematic ²
A1	Output Level Assy ³	Service Sheets 13, 16
A2	Meter Switch/Detector Assy	Service Sheet 17
A3	RF Oscillator Assy	Service Sheets 5, 6
A4	Meter Annunciator Drive Assy	Service Sheet 17
A5	FM Amplifier Assy	Service Sheet 6
A6	Annunciator Assy	Service Sheets 8, 17
A7	FM Shaping Assy	Service Sheets 7, 8
A8	Counter/Lock Assy ⁴	Service Sheets 18, 19, 20, 21
A9	Peak Deviation and Range Switch Assy ⁵	Service Sheets 6, 7, 8, 15
A10	Divider/Filter Assy ⁶	Service Sheets 10, 11
A11	Fixed-Frequency Modulation Oscillator Assy (Standard)	Service Sheet 9
A11	Variable-Frequency Modulation Oscillator Assy (Option 001) ⁵	Service Sheet 9A
A12	Rectifier Assy	Service Sheet 22
A13	Modulation/Metering Mother Board Assy	Service Sheets 6, 9, 9A, 14, 25
A14	Line Power Assy	Service Sheet 22
A15	Riser Assy	Service Sheets 14, 15, 16
A16	Fan Motor Assy	Service Sheet 23
A17	Power Supply Mother Board Assy	Service Sheet 24
A18	-5.2V Regulator and Fan Driver Assy	Service Sheet 23
A20	+5.2V and +44.6V Regulator Assy	Service Sheet 22
A22	+20V and -20V Regulator Assy	Service Sheet 22
A24	Series Regulator Socket Assy	Service Sheet 22
A26	AM/AGC and RF Amplifier Assy ⁷	Service Sheets 12, 13, 14, 15, 16

¹ Odd numbered assemblies and sub-assemblies are accessible from bottom of instrument. Even numbered assemblies and sub-assemblies are accessible from top of instrument. See Service Sheets F and G for top and bottom internal views of instrument.

² Assembly principles of operation, troubleshooting, and component location photographs are given on the service sheet with the schematic.

³ A1 Assembly Illustrated Parts Breakdown is located on Service Sheet A.

⁴ A8 Assembly Illustrated Parts Breakdown is located on Service Sheet B.

⁵ A9 and A11 Assemblies Illustrated Parts Breakdowns are located on Service Sheet C.

⁶ A10 Assembly Illustrated Parts Breakdown is located on Service Sheet D.

⁷ A26 Assembly Illustrated Parts Breakdown is located on Service Sheet E.

Table 8-4. Schematic Diagram Notes (1 of 3)



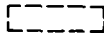







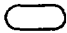


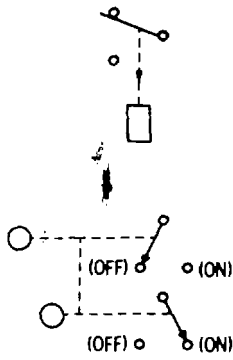
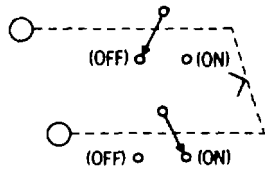
	Resistance in ohms, capacitance in picofarads, inductance in microhenries unless otherwise noted.
*	Asterisk denotes a factory-selected value. Value shown is typical. Part might be omitted. See Table 5-1.
†	See Backdating, Tables 7-1 and 7-2.
	Tool-aided adjustment. ○ Manual control.
	Encloses front-panel designation.
	Encloses rear-panel designation.
	Circuit assembly borderline.
	Other assembly borderline. Also used to indicate mechanical interconnection (ganging) and RF shielding.
	Heavy line with arrows indicates path and direction of main signal.
	Heavy dashed line with arrows indicates path and direction of main feedback.
	Wiper moves toward CW with clockwise rotation of control (as viewed from shaft or knob).
	Numbered Test point. Measurement aid (metal post, circuit pad, etc.) provided.
	Lettered Test Point. No measurement aid provided.
	Encloses wire color code. Code used is the same as the resistor color code. First number identifies the base color, second number identifies the wider stripe, third number identifies the narrower stripe. E.g., () denotes white base, yellow wide stripe, violet narrow stripe.
	A direct conducting connection to the earth, or a conducting connection to a structure that has a similar function (e.g., the frame of an air, sea, or land vehicle).
	A conducting connection to a chassis or frame.

Table 8-4. Schematic Diagram Notes (2 of 3)

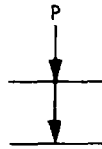


Relay contact moves in direction of arrow when energized.

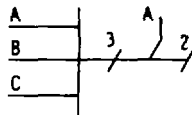
Indicates interlocked pushbutton switches. Only one switch can be in (ON) at a time.



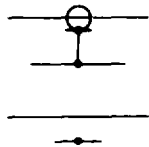
Indicates interconnected pushbutton switches. Pushing one switch in (ON) releases the other.



Indicates twisted wire pair.



Indicates multiple paths represented by only one line. Letters or names identify individual paths. Numbers indicate number of paths represented by the line.



Coaxial or shielded cable.

Stripline (i.e., RF transmission line above ground).



RF coupling by magnetic (H) field.

SWITCH DESIGNATIONS

EXAMPLE: A3S1AR(2-1/2)

- A3S1 - SWITCH S1 WITHIN ASSEMBLY A3
- A - 1ST WAFER FROM FRONT (A=1ST, ETC)
- R - REAR OF WAFER (F=FRONT)
- (2-1/2) - TERMINAL LOCATION (2-1/2) (VIEWED FROM FRONT)

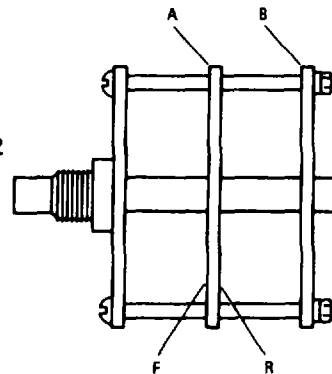
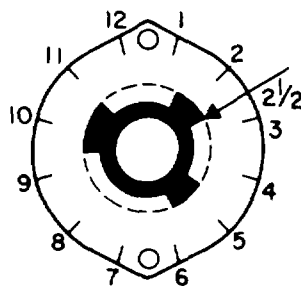
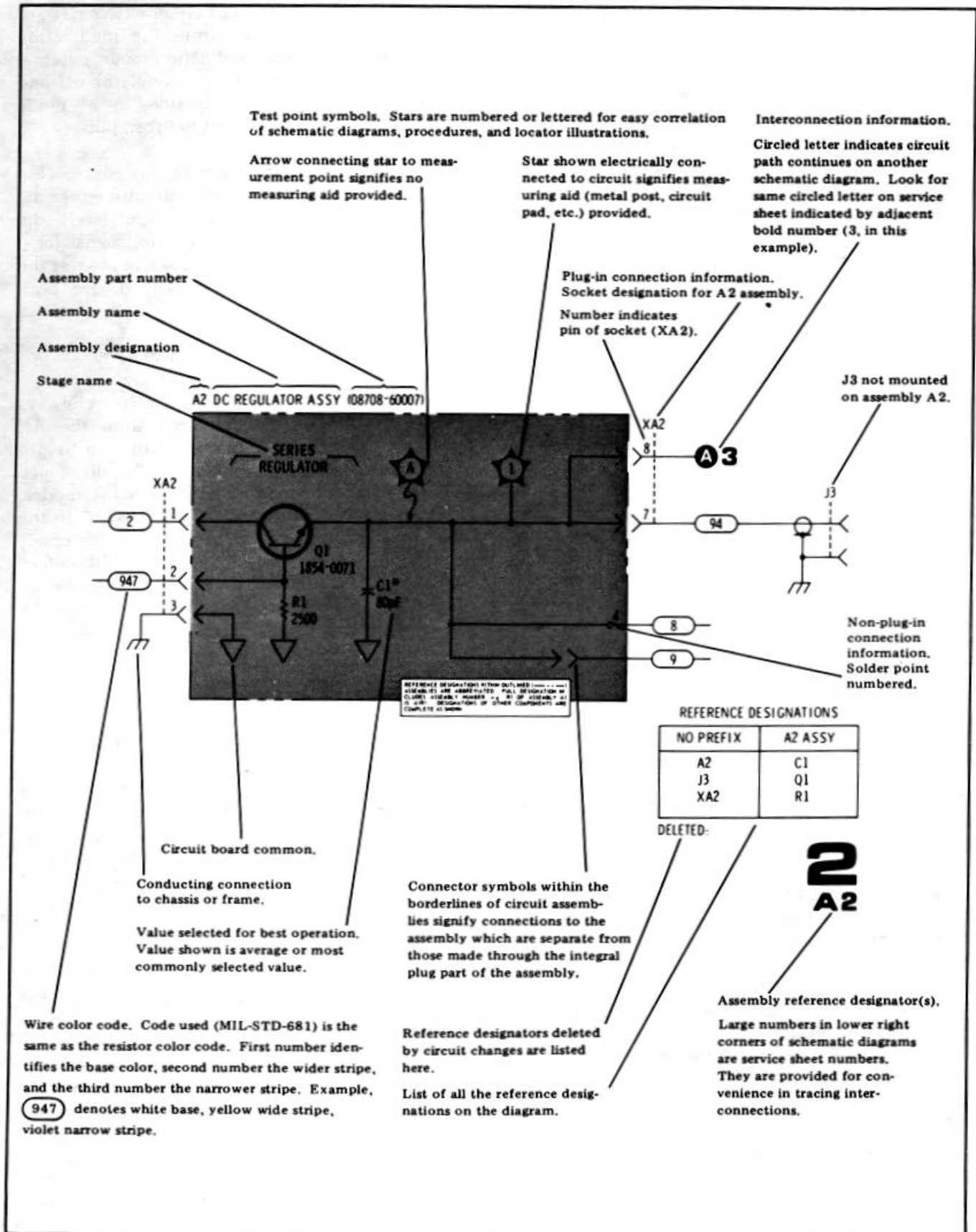


Table 8-4. Schematic Diagram Notes (3 of 3)



SERVICE SHEET 1**PRINCIPLES OF OPERATION****General**

The Hewlett-Packard Model 8640B Signal Generator is a mechanically-tuned, solid-state RF generator. The frequency range is 0.5 to 512 MHz covered in ten octave bands. The output is leveled and may be continuously varied over an 18 dB range or attenuated in 10 dB steps from +19 to -145 dBm. In addition, calibrated AM and FM (either internal or external) and external pulse modulation are provided. The RF output frequency is read on an internal counter which may also be used to count external signals up to 550 MHz or to synchronize the generator to a stable reference oscillator.

FM Circuits and R F Oscillator (Service Sheet 2)

The RF source is a 256 to 512 MHz cavity-tuned oscillator that is mechanically tuned by the FREQUENCY TUNE and FINE TUNE controls. The oscillator can also be electrically tuned over a smaller range by the FM and the counter/lock circuits. The FM circuits amplify and shape the modulation input to provide linear, calibrated frequency modulation. The phase lock circuits tune the oscillator to phase lock it to a reference. FM inputs can be either external (ac or dc coupled), internal from the modulation oscillator, or an accurate 1 Vdc useful for FM calibration.

AM/AGC Circuit and Output Amplifier (Service Sheet 3)

The RF oscillator drives the RF dividers (a chain of binary dividers) which divide the RF for the lower nine frequency ranges. The RF filters remove the harmonics from the RF signal.

The AM/AGC circuits form a feedback system to control the amplitude of the output and to provide AM or pulse modulation. The detector senses the level of the RF signal from the RF output amplifier. A summing amplifier compares the detector output against an input reference and drives the modulator. The modulator acts as a current controlled attenuator to control the RF level.

The reference to the summing amplifier consists of the level reference, which comes from the output level vernier, and the modulation signal, if present. The

modulation signal can be either external (ac or dc coupled) or internal (from the modulation oscillator). In the pulse modulation mode, external modulation pulses switch the modulator off and on. Amplitude leveling is maintained in this mode by storing the detector output between pulses.

The 10 dB RF step attenuator further controls the output level. The meter circuits monitor either the detector output (and hence the output level), the positive peak of the AM modulating signal (calibrated to given % AM), or the positive peak of the FM modulating signal (calibrated to give peak deviation).

Counter/Lock Circuits (Service Sheet 4)

In the internal count mode, the counter always counts the 256 - 512 MHz signal from the RF oscillator. The time base period is adjusted to give the correct frequency reading for the difference frequency ranges. In the external count modes, external input signals are counted directly. In the phase lock mode, the counter compares the count of the RF signal against the count just before acquisition of phase lock and adjusts the frequency of the RF oscillator to make the counts coincide. The counter time base reference may be either the internal or an external 5 MHz.

TROUBLESHOOTING

Use this overall block diagram to isolate the trouble to a specific section of the instrument. Then turn to the troubleshooting block diagram that covers that section of the instrument and use the information on the diagram to isolate the trouble to the defective assembly. Next, turn to the Service Sheet that covers that assembly and isolate the trouble to the defective component or replace the assembly.

For example, suppose the AM functions are out of specification. The block diagram on Service Sheet 1 is keyed to the troubleshooting block diagrams that follow it - in this case, Service Sheet 3. Service Sheet 3 gives a list of generator control settings (the list is located in the box on the right-hand side of the sheet) and the voltages and waveforms that should be found at the test points and along the signal paths. To check a voltage at a test point, change the control settings as specified in the box associated with that test point, check the voltage, then reset the controls to the settings specified in the box on the right-hand side.

NOTE

The last two foldouts in this manual have top and bottom internal views of the instrument that show the locations of the test points, assemblies, and cables (all RF cables are accessible from the bottom of the instrument).

The blocks on Service Sheet 3 are keyed, by the numbers located in their lower right-hand corners, to the Service Sheets that have the circuit schematics. In our example, suppose the signals to the A26A3 Assembly are correct and the signals from A26A3 are incorrect. Turn to Service Sheet 12 and isolate the trouble to a component or replace A26A3.

NOTE

After repairs are complete, see Table 5-2 for appropriate post-repair tests and adjustments.

WARNING

The opening of covers or removal of parts, except those to which access can be gained by hand, is likely to expose live parts, and also accessible terminals may be live. Any adjustment, maintenance, and repair of the opened instrument under voltage should be avoided as much as possible and, if inevitable, should be carried out only by a skilled person who is aware of the hazard involved.

Capacitors inside the instrument may still be charged even if the instrument has been disconnected from its source of supply.

Make sure that only fuses with the required rated current and of the specified type (normal blow, time delay, etc.) are used for replacement. The use of repaired fuses and the short-circuiting of fuseholders must be avoided.

Whenever it is likely that the protection has been impaired, the instrument must be made inoperative and be secured against any unintended operation.

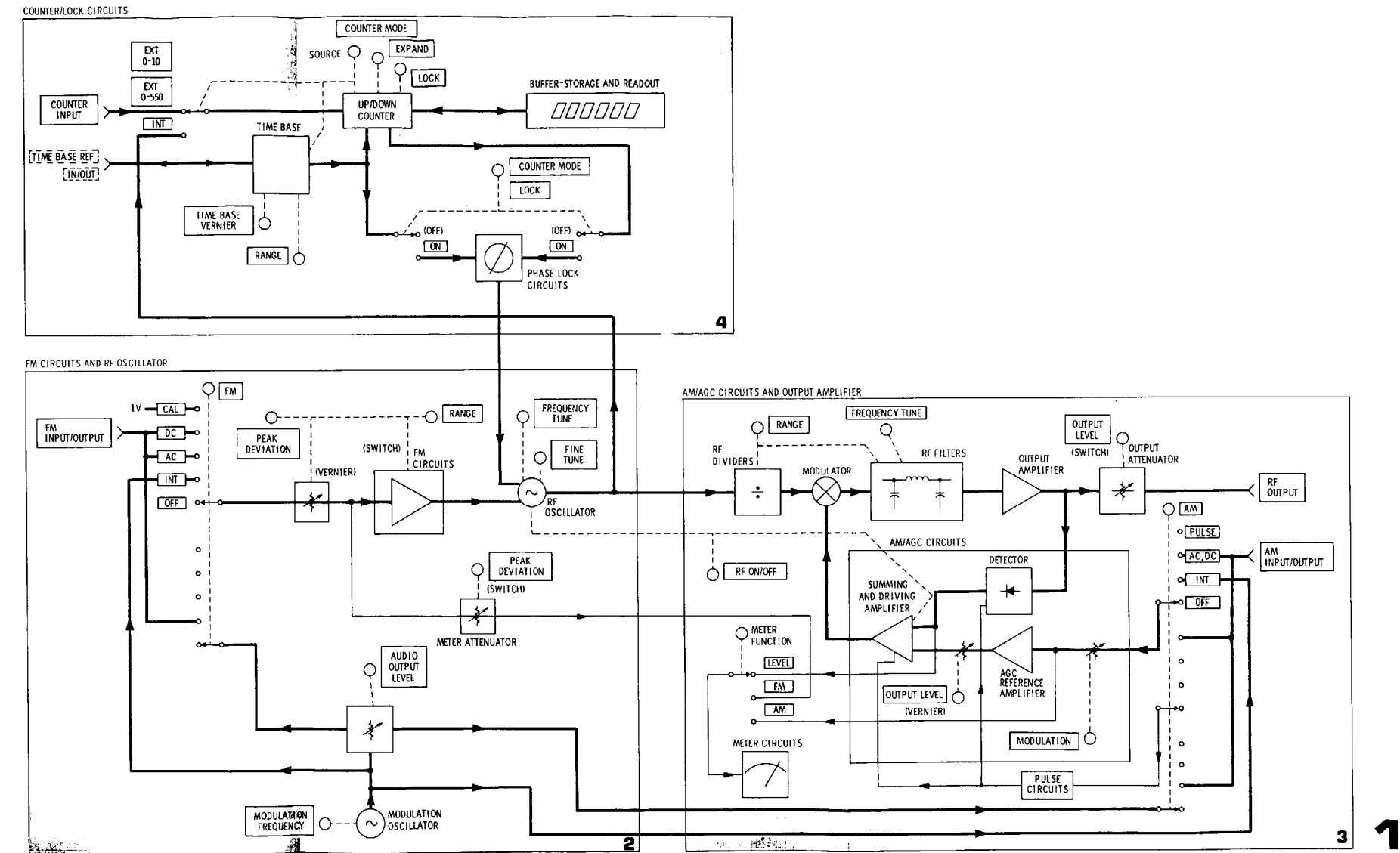


Figure 8-16. Overall Block Diagram

SERVICE SHEET 2**PRINCIPLES OF OPERATION****R F Oscillator (Service Sheet 5)**

The full frequency range of the RF Oscillator is 230 to 550 MHz (nominally 256 512 MHz). The oscillator uses a single high-frequency transistor in a foreshortened cavity. Frequency is controlled by varying the capacitive loading of the cavity. The oscillator drives two output amplifiers. The Frequency Counter Buffer Amplifier drives the frequency counter; the Divider/Filter Buffer Amplifier drives the dividers which drive the amplitude modulating and leveling circuits. The oscillator can be disabled by the RF ON/OFF switch which interrupts its +20V supply. The oscillator's cavity has two varactor diodes that allow the capacitive loading to be varied by voltages (at the anode and cathode) to provide FM and phase lock.

FM Circuits (Service Sheets 6, 7, and 8)

The RF oscillator's varactor cathode is driven by the FM Amplifier which provides accurate amplification or attenuation of the modulation signal and shapes the signal to compensate for the non-linear characteristics of the varactor diodes.

Separate shaping circuits are used for positive and negative voltage excursions. The PEAK DEVIATION switch, which controls basic FM amplifier gain, is mechanically linked to the RANGE switch since, for a given amount of peak deviation, the percent deviation (i.e., the amount of deviation relative to the carrier frequency) changes as the frequency range is changed. Also, as the frequency is tuned, the FM deviation changes. An FM Gain Compensation circuit with a potentiometer, which is geared to the FREQUENCY TUNE control, adjusts for the change in FM sensitivity with tuning.

Inputs to the FM circuits are routed through the FM switch. In the CAL position, an accurate 1 Vdc is applied to the FM input. External inputs are applied in AC and DC, and an internal modulation signal in INT. The PEAK DEVIATION vernier adjusts the input level into a unity gain Buffer Amplifier. In addition to driving the FM amplifier, the Buffer Amplifier drives the Over-Deviation Detector and the Meter Attenuator. In the event that the input signal exceeds $\pm 1.1V$, the Over-Deviation Detector turns on the REDUCE FM VERNIER lamp. The Meter Attenuator scales the input signal to the meter circuits in such a way that a 1 Vpk input corresponds to the deviation selected when read on the meter.

Modulation Oscillator (Service Sheets 9 and 9A)

Internal AM and FM is provided by the Modulation Oscillator. The oscillator drives either the AM modulation circuits and AM OUTPUT port or the FM modulation circuits and FM OUTPUT port or all four. The oscillator is enabled whenever either the AM or FM switch is in INT.

The standard modulation oscillator (shown on Service Sheet 9) has two fixed frequencies 400 Hz and 1 kHz. The oscillator supplied with Option 001 (shown on Service Sheet 9A) has in addition five variable frequency ranges covering from 20 Hz to 600 kHz.

Power Supplies and Fan (Service Sheets 22 and 23)

The instrument has five regulated supply voltages, +44.6V, +20V, -20V, +5.2V, -5.2V. All supplies are protected against overloading, over voltage, and reverse voltage. An LED annunciator on each supply indicates proper operation when on. The cooling fan is driven by a dc brushless motor controlled by the Fan Driver circuits.

TROUBLESHOOTING

It is assumed that a problem has been isolated to the FM circuits and RF oscillator as a result of using the overall block diagram. Troubleshoot by using the test equipment and procedures specified below.

Test Equipment

Digital Voltmeter..... HP 3480B/3484A
Oscilloscope..... HP 180A/1801A/1820C

Initial Test Conditions

Top and bottom covers removed (see Service Sheet F).

Procedure

Set the generator's controls as listed in the box at the right-hand side of the diagram. To check a voltage at a test point, change the control settings as specified in the box associated with that test point, check the voltage, then reset the controls to

← Overall Block Diagram
SERVICE SHEET 1

the settings specified in the box at the right-hand side.

The blocks are keyed, by the numbers located in their lower right-hand corners, to the Service Sheets that have the circuit schematics.

NOTE

The last two foldouts in this manual have top and bottom internal views of the

instrument that show the locations of the test points, assemblies, and cables (all RF cables are accessible from the bottom of the instrument).

NOTE

After repairs are complete, see Table 5-2 for appropriate post-repair tests and adjustments

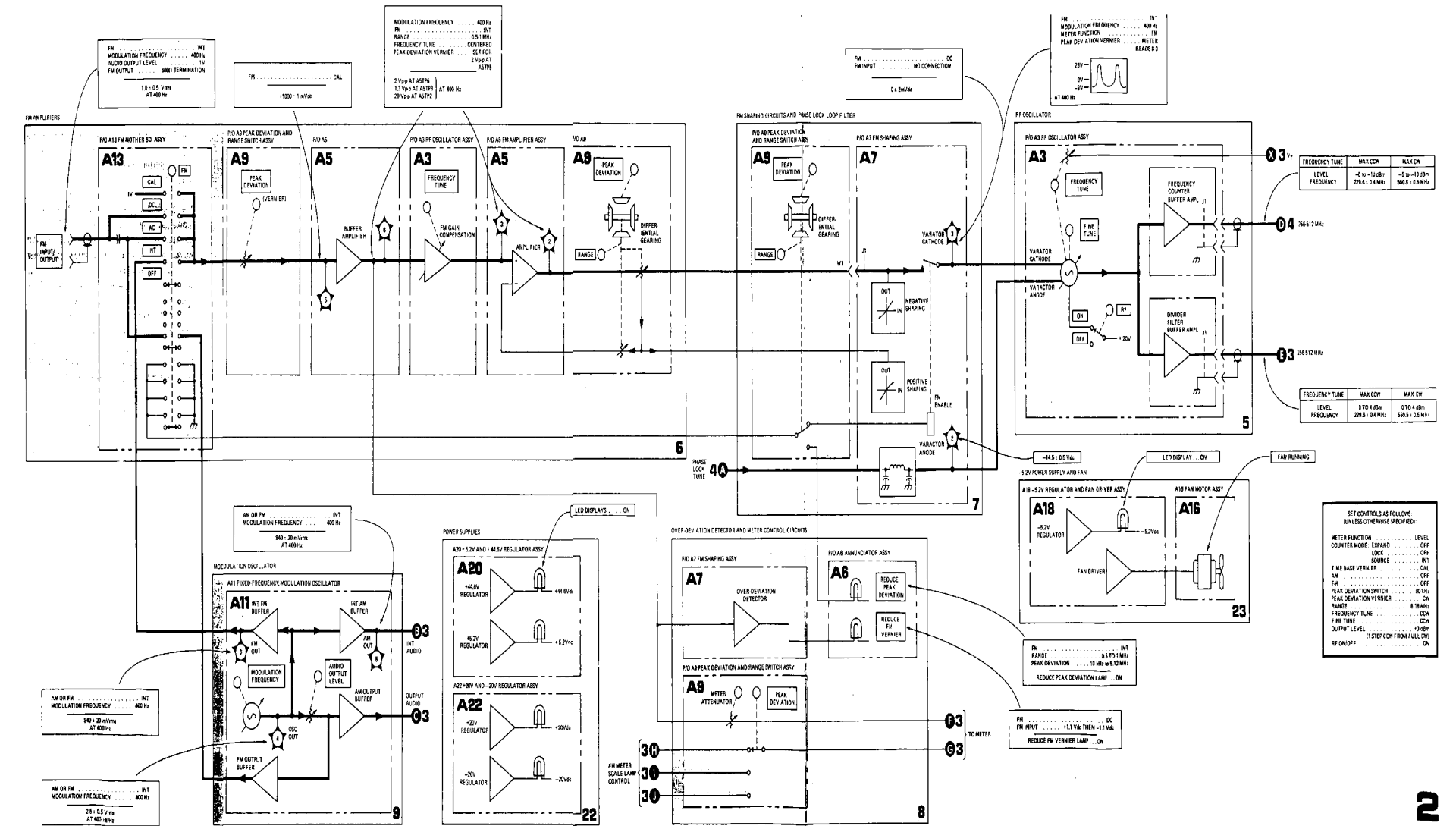


Figure 8-17. FM Circuits and RF Oscillator Block Diagram
8-21

SERVICE SHEET 3

PRINCIPLES OF OPERATION

Divider/Filters (Service Sheets 10 and 1 1)

Except for the 256 512 MHz (and the doubler) frequency range, the RF signal from the Divider/Filter Buffer Amplifier (Service Sheet 2) is routed through a series of binary frequency dividers (i.e.,-2) by slide switches on the filter section of the A10 Divider/Filter Assembly. The RF signal is divided to the selected range.

The divided signal passes through the Modulator Preamplifier, the Modulator, and then to the RF Filters. The filters remove unwanted harmonics from the signal (which is approximately a square wave after being divided). The upper frequency ranges have two filters per range one for the lower half (Low Band Filters) and one for the upper half (High Band Filters) of the band. This is necessary to effectively remove the second harmonic on the lower half of the band. The midpoint of the band is sensed by a Schmitt Trigger which compares a reference voltage to a voltage proportional to the frequency tuning. On the four lowest frequency ranges the RF signal has little second harmonic content because of good waveform symmetry; therefore, each range has only one filter.

AM/AGC Circuits (Service Sheets 12 and 13)

The output of the RF Filters is amplified by the Output Amplifier.

The amplifier's output is peak-detected and buffered by the Detector Buffer Amplifier. The detected voltage, which is negative, is summed (in the Summing Amplifier) with a positive AGC reference voltage from the OUTPUT LEVEL vernier. The AGC reference may also have the amplitude modulation voltage superimposed on it. The sum of the detector and reference voltages is amplified by the Summing and Modulator Driver Amplifiers. The Modulator Driver Amplifier supplies control current to the Modulator which adjusts the RF output level.

In the pulse modulation mode, the Modulator Driver Amplifier is switched on and off by input pulses from the Schmitt Trigger. To maintain a constant detector voltage into the summing amplifier, the peak detector's output voltage is sampled during the RF-on period and then stored in the Sample And Hold section of the Detector Buffer Amplifier when the RF is off. The Pulse Overload Detector senses any large errors in the leveling circuit which can occur when the OUTPUT LEVEL vernier is reduced. In such a case, the hold function is defeated until equilibrium occurs. The

← **FM Circuits and RF Oscillator Troubleshooting**
SERVICE SHEET 2
 8-22

Rate Detector senses pulses of low repetition rate and turns off the meter circuit when the rate is so low that the meter is no longer accurate.

The Modulation Overload Detector senses when the AGC reference, the AM signal, or a combination of the two is beyond the Modulator's capability to deliver power. The REDUCE PEAK POWER lamp is then turned on. The Meter Amplifier produces an output voltage proportional to the detected output voltage (and hence the output level) to drive the meter circuits. The AGC reference voltage originates in the AM Offset Amplifier where it is summed with any AM input signal. The voltage out of the amplifier then passes through the OUTPUT LEVEL vernier to the modulation Summing Amplifier. The Modulator can be disabled (i.e., maximum modulator attenuation) by the RF ON/OFF switch.

Meter Circuits (Service Sheet 17)

The meter can be set to measure either percent AM, peak frequency deviation'(FM), or output level. In measuring AM and FM, the modulation signal is peak-detected by the Positive Peak Detector and amplified. For output level, the output of the Meter Amplifier, which is proportional to the detector output, is amplified by the Meter Drive Amplifier. On both AM and LEVEL, one range of autoranging is provided. The Autorange Comparator senses the autorange condition and switches the gain of the Meter Drive Amplifier. Logic circuits control gain switching of the Meter Drive Amplifier and turn on the proper scale lamps.

TROUBLESHOOTING

It is assumed that a problem has been isolated to the AM/AGC circuits and output amplifier as a result of using the overall block diagram. Troubleshoot by using the test equipment and procedures specified below.

Test Equipment

Digital Voltmeter.....HP 3480B/3484A
 Oscilloscope.....HP 180A/1801A/1820C

Initial Test Conditions

Top and bottom covers removed (see Service Sheet F).

Procedure

Set the generator's controls as specified in the box at the right-hand side of the diagram. To check a voltage at a test point, change the control setting as specified in the box associated with that test point, check the voltage, then reset the controls to the settings specified in the box at the right-hand side.

The blocks are keyed, by the numbers located in their lower right-hand corners, to the Service Sheets that have the circuit schematics.

NOTE

The last two foldouts in this manual have top and bottom internal views of the instrument that show the locations of the test points, assemblies, and cables (all RF cables are accessible from the bottom of the instrument).

NOTE

After repairs are complete, see Table 5-2 for appropriate post-repair tests and adjustments.

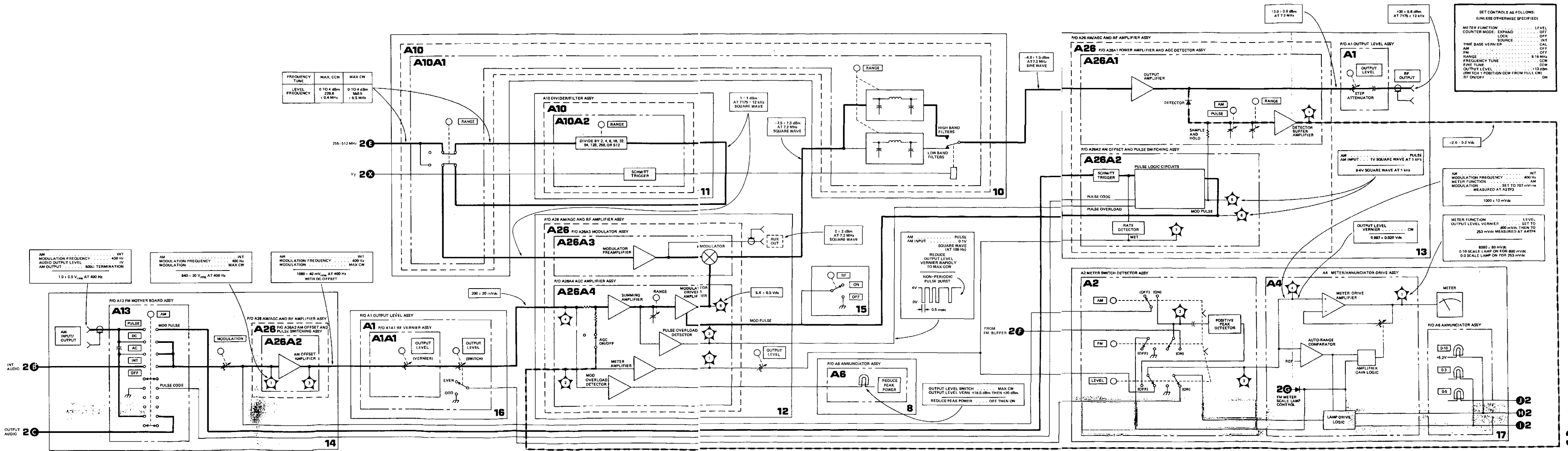


Figure 8-18. AM/AGC Circuits and Output Amplifier Block Diagram
8-23

SERVICE SHEET 4

PRINCIPLES OF OPERATION

Internal Count Mode

When the internal count mode is selected, the 256 512 MHz signal from the Frequency Counter Buffer Amplifier (Service Sheet 2) is first divided by 64 and then is counted by the Up/Down Counter (used in the count-up mode). An ECL to TTL Translator shifts the logic levels of the +64 Divider to be compatible with the counter.

The counter's time base is derived from a 5 MHz Reference Oscillator (or an external reference) and is divided by a divide-by-N counter (the Time Base Decoder). The division ratio is programmed by the frequency RANGE and EXPAND X10 and X100 switches. The Up/Down Counter drives the Storage Buffers which store the previous count while the counter is counting. The Counter Display is driven from the Storage Buffers. The Decimal Point Decoder decodes the decimal point information on the RANGE switch and the EXPAND switches and drives the display's decimal points. The Overflow Detector senses when the count overflows the number of digits available on the display and turns on the OVERFLOW annunciator.

External Count Mode

When the external count mode is selected, the external signal enters the counter input in place of the RF oscillator's output. When the 0 10 MHz mode is selected, the ÷ 64 Divider is bypassed. The EXT 0 550 MHz and 0 10 MHz switches also program the Time Base Decoder; otherwise, the counter's operation is identical to the internal count mode.

Phase Lock Mode

When the LOCK switch is first depressed, the counter continues to count up until the present count is terminated. The count is then stored in the Storage Buffers, and the counter enters the phase lock mode. The count now proceeds with the count from the Storage Buffers being preset into the Up/Down Counter. The counter counts down to zero and then underflows (i.e., all counters at the state of nine) and the time of occurrence of the underflow is compared with the termination of the time base cycle in the Null Phase Detector (at the underflow the counter is once again preset from the buffers and continues counting toward zero). The error from the detector adjusts the tuning of the RF Oscillator (Service Sheet 2) to bring the average error to zero. When the Error Detector senses the tuning voltage nearing its limit, phase lock is broken, the counter reverts to the normal count-up mode, and the Flash Oscillator is enabled which blinks the display.

TROUBLESHOOTING

It is assumed that a problem has been isolated to the counter/lock circuits as a result of using the overall block diagram. Troubleshoot by using the test equipment and procedures specified below.

Test Equipment

Digital Voltmeter	HP 3480B/3484A
Oscilloscope	HP 180A/1801A/1820C

Initial Test Conditions

Top and bottom covers removed (see Service Sheet F).

Procedure

Set the generator's controls as listed in the box at the right-hand side of the diagram. To check a voltage at a test point, change the control settings as specified in the box associated with that test point, check the voltage, then reset the controls to the settings specified in the box at the right-hand side.

The blocks are keyed, by the numbers located in their lower right-hand corners, to the Service Sheets that have the circuit schematics.

NOTE

The last two foldouts in this manual have top and bottom internal views of the instrument that show the locations of the test points, assemblies, and cables (all RF cables are accessible from the bottom of the instrument).

NOTE

After repairs are complete, see Table 5-2 for appropriate post-repair tests and adjustments.

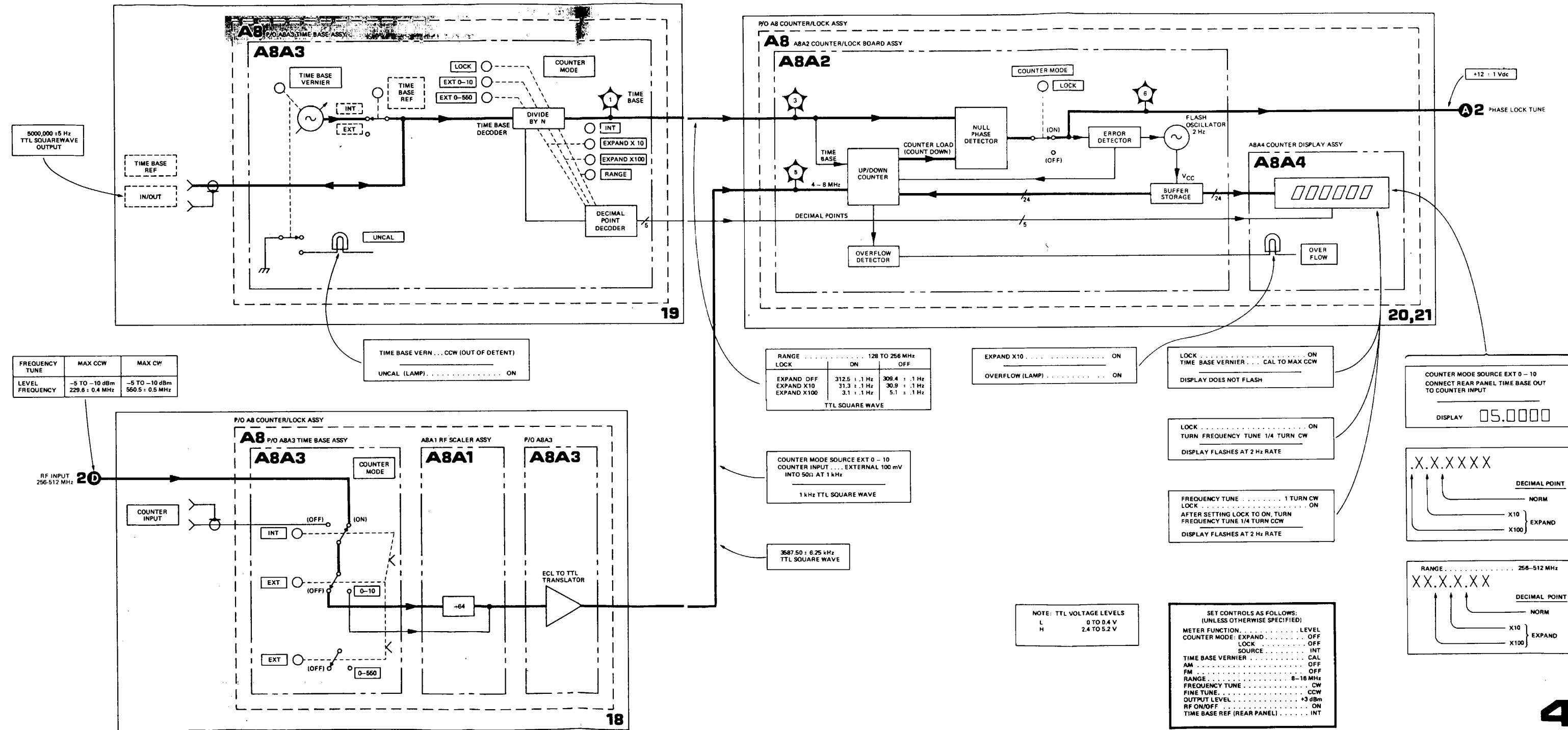


Figure 8-19. Counter/Lock circuits Block Diagram

SERVICE SHEET 5**PRINCIPLES OF OPERATION****General**

The A3 RF Oscillator Assembly contains the main RF oscillator, a varactor assembly, and two buffer amplifiers. The output of the RF oscillator is applied to the RF OUT port through the A10 Divider/Filter Assembly, the A26 AM/AGC and RF Amplifier Assembly, and the A1A1 and A19A1 Output Attenuators (see block diagrams for schematic locations).

Oscillator Loop

The 230 and 550 MHz RF oscillator is a single transistor, cavity-tuned oscillator. Integral with the oscillator assembly is a Varactor Head Assembly which provides electrical tuning for FM. The high-frequency transistor is in a common-base configuration. The emitter and collector loops couple into the cavity and to each other to provide the positive feedback necessary for oscillation.

Tunable Cavity

The cavity is a foreshortened type which is essentially a length of coaxial transmission line with a short at one end and a capacitive load at the other. The shorted transmission line is less than 1/4 wavelength long at the frequency of oscillation and its impedance is inductive. The cavity resonates at the frequency at which the inductive reactance of the transmission line equals the capacitive reactance of the load capacitor. The resonant frequency is varied by changing the length of the cavity (a secondary effect) and by changing the load capacitance. The varactor diodes are in parallel with the main load capacitance. The cavity is mechanically fine tuned by protruding a small metal slug into the cavity. Signal is coupled out of the cavity into two buffer amplifiers by loops which protrude into the cavity.

Buffer Amplifiers (A3A1A2, and A3A1A3)

Operation of the Divider/Filter Buffer Amplifier and the Counter Buffer Amplifier is essentially the same. The Divider/Filter Buffer Amplifier drives the Modulator Preamplifier. The Counter Buffer Amplifier drives the counter input. The main function of these amplifiers, however, is to isolate the RF Oscillator from external circuits.

Transistors Q1 and Q2 are two common-emitter amplifier stages. The base of Q1 is dc-grounded through the coupling loop T1. Emitter current is established by resistors R3 and R4; capacitor C2 ac-bypasses R4. The gain of Q1 is set by R1, R2, R3, and R6 (also C8, Divider/Filter Buffer Amplifier only). The collector of Q1 is

SERVICE SHEET 5 (Cont'd)

ac-coupled to the base of Q2 by capacitor C4. Operation of transistor Q2 is similar to Q1. In the Counter Buffer Amplifier only, resistors R10, R11, and R12 form a 10 dB pad to reduce the output level and increase the output-to-input reverse isolation.

The amplifier board is secured through slotted holes by two screws. By loosening the screws and sliding the board, the amount of coupling loop protruding into the cavity can be altered and the amplifier output level varied.

TROUBLESHOOTING**General**

The oscillator transistor, buffer amplifiers, and external circuits of the A3 RF Oscillator Assembly may be repaired to the component level. However, if a problem has been isolated to components in the RF Oscillator cavity, the oscillator assembly should be returned to Hewlett-Packard for repair. Do not attempt to disassemble it because proper reassembly depends upon specialized skills and procedures.

Buffer Amplifiers

Refer to Service Sheet B for access to the buffer amplifier assemblies. Check dc bias voltages to reveal a faulty component. See Section V for adjustment.

RF ON/OFF Switch Modification

The RF ON/OFF Switch function may be wired to:

- a. switch off both the RF Oscillator and Modulator leaving the RF output completely off but requiring a stabilization period after turn on; or
- b. switch off only the Modulator leaving the RF Oscillator on and warmed up, the Auxiliary RF Output on, and the counter and phase lock operating. In this case, however, the RF is not truly "off" but is reduced by an amount equal to the pulse on/off ratio (at least 40 dB down and dependent on OUTPUT LEVEL vernier setting).

Either configuration can be easily altered to the other as follows:

- a. Remove bottom cover (see Service Sheet G).
- b. Remove two nuts that secure A3A4 Connector Board Assembly, and remove board. The board is located directly behind the Range Switch cam housing.
- c. To modify the circuitry to leave the RF Oscillator on at all times, add a jumper wire between the two holes labeled "RF OSC ON/OFF INHIBIT" as shown overleaf. To modify the circuitry so the RF Oscillator is switched off, remove the existing jumper wire.
- d. Reinstall board and bottom cover.
- e. Check RF ON/OFF operation by observing counter or Auxiliary RF Output signal.

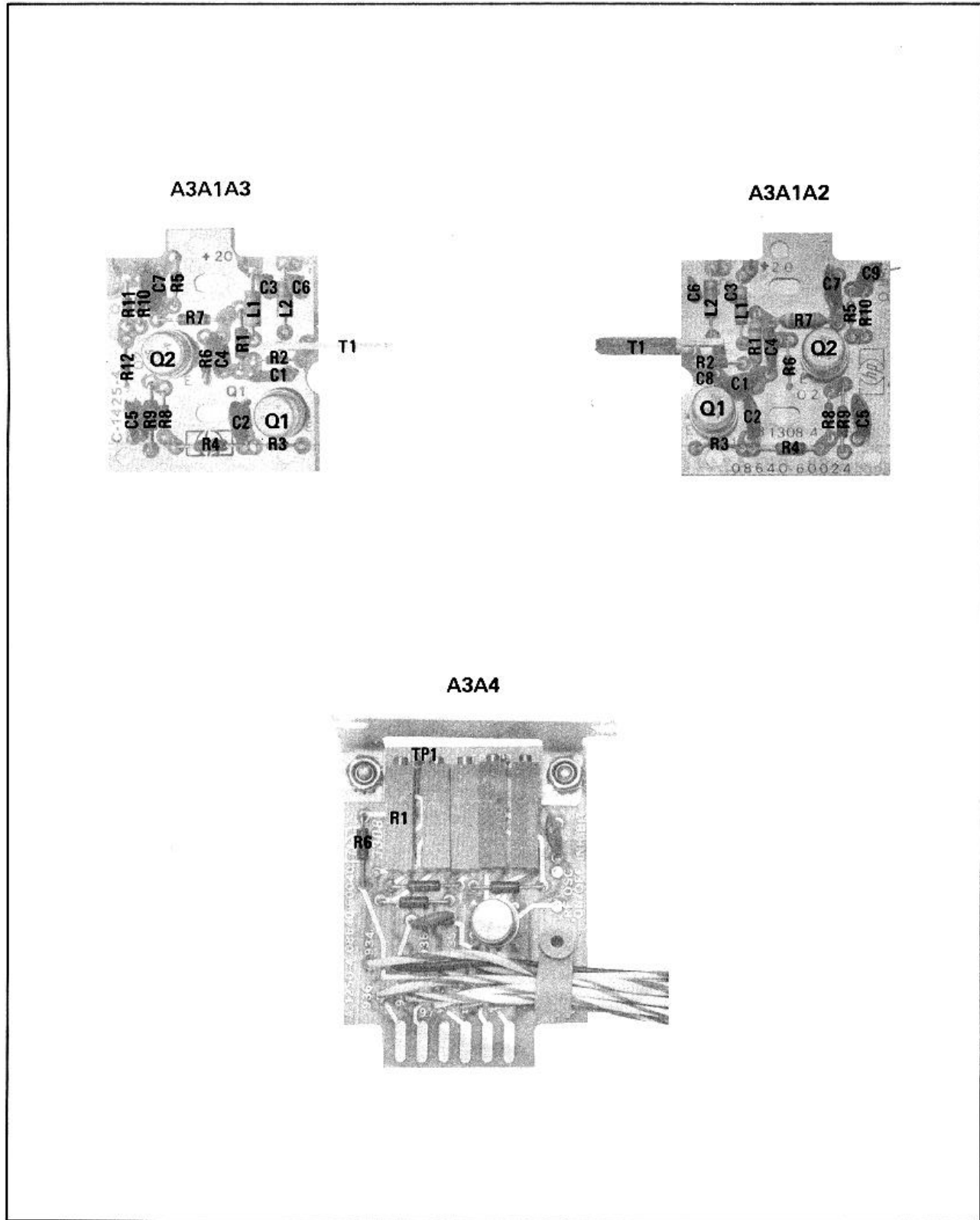


Figure 8-20. A3A1A3 Counter Buffer Amplifier Board Assembly, A3A1A2 Divider/Filter Buffer Amplifier Board Assembly, and P/O A3A4 Connector Board Assembly Component Locations

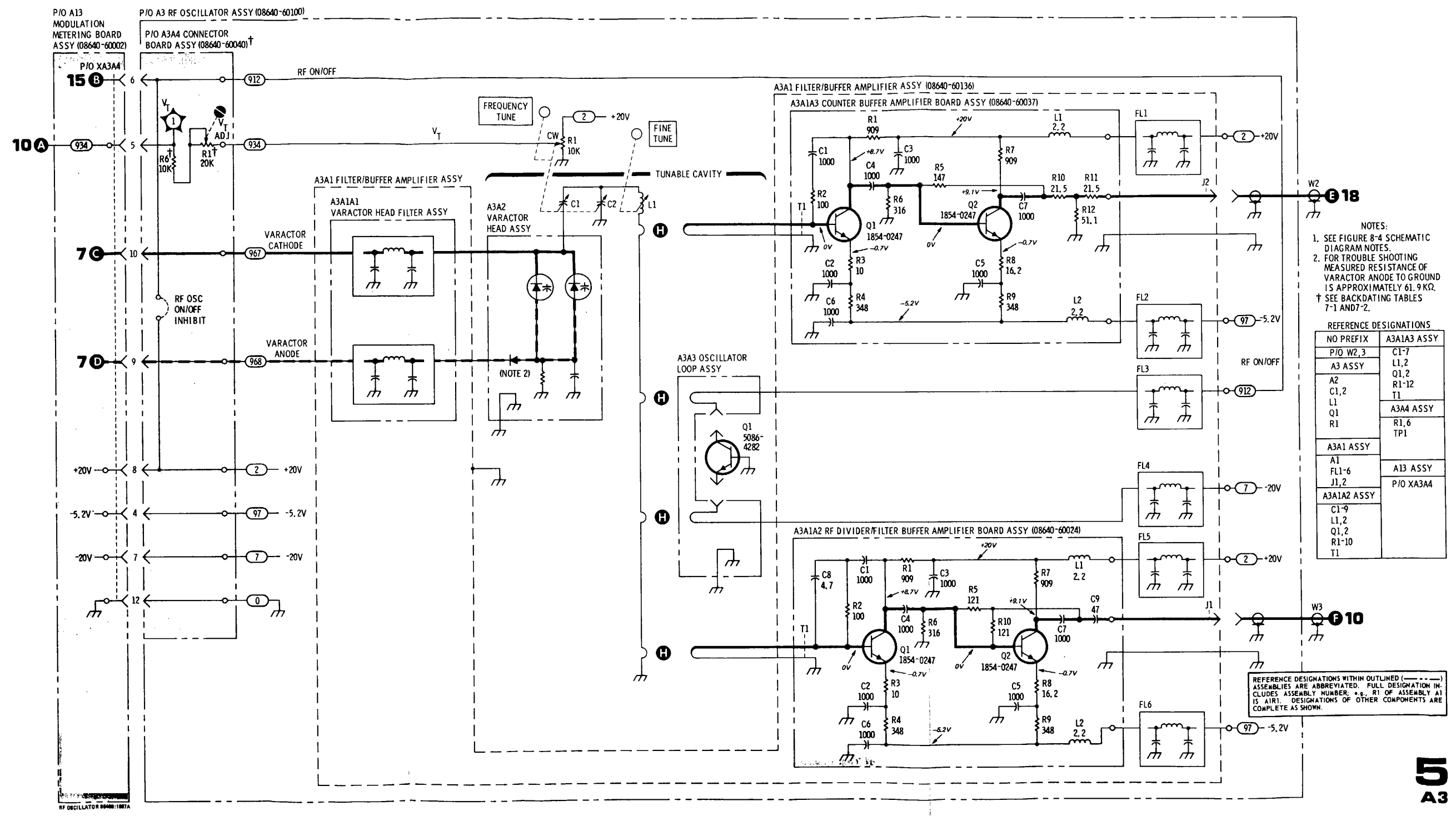


Figure 8-21. RF Oscillator Simplified Diagram

PRINCIPLES OF OPERATION

General

The A5 FM Amplifier Assembly, in conjunction with the A9 Peak Deviation and Range Switch and the A7 Shaping Assembly, conditions the modulation signal to drive the varactor diodes which frequency modulate the RF oscillator. Modulation signals may be do or ac coupled.

Input and Buffer Circuits (A5)

The FM modulating signal is applied to the Deviation Vernier which presents a 600Q impedance to the modulation source. Buffer Amplifier U1 is internally connected as a voltage follower. The output of U1 drives the meter attenuator (Service Sheet 8), the over deviation detector (Service Sheet 8), and the FM Gain Compensation circuit through relay K1. When the FM switch is OFF, or if the PEAK DEVIATION switch is set to an unallowable position, the relay is de-energized and the signal path to the FM and meter circuits is opened. FM gain compensation potentiometer A3R2 is geared to the FREQUENCY TUNE control and adjusts the gain of the circuit. FM sensitivity is higher for higher RF oscillator frequencies and the FM Gain Compensation circuit reduces the modulation circuit drive at higher frequencies. The gain compensation adjustment potentiometers (A3A4R2, R3, and R4) with unity gain isolation amplifier A3A4U1, set the FM sensitivity at the frequency mid-point and extremes, A3A4R5 adjusts the offset of A3A4U1. The output of the FM Gain Compensation circuit drives the FM Amplifier input.

Amplifier (A5)

The FM Amplifier is a non-linear, feedback amplifier which drives the varactor diodes in the RF oscillator. The amplifier and shaping circuits correct for the non-linear tuning sensitivity of the RF oscillator by the varactor diodes. The correction for the negative excursions of the modulation signal is provided by the negative shaping circuit (Service Sheet 7) which follows the amplifier output. Correction for positive excursions is provided by the positive shaping circuit (Service Sheet 7) which is part of the amplifier feedback path.

Transistors Q1 through Q4 form a two-stage differential input amplifier. The dual transistors Q1 and Q2 are connected in a Darlington configuration to provide matched, high impedance inputs. Amplifier offset adjustment, R8 adjusts the do offset. The gain of the first stage is approximately one-half the ratio R4/R3; gain for the second stage is approximately one-half the ratio R5/R6.

Transistors Q5 through Q8 form an intermediate driver stage. The voltage gain of the stage is approximately twice the ratio of the impedance across R27 to that of R17.

The shaping circuits require more gain for large positive voltage excursions. For low positive voltages, the resistor network R29 to R34 is in parallel with R27. As the voltage increases' diodes CR10, 11, and 12 respectively switch off and increase the impedance across R27 and thereby increase the amplifier's gain.

Transistors Q9 through Q12 form the amplifier output stage. Transistors Q9 and Q10 are in a Darlington configuration and supply current to the load during positive excursions Transistors Q11 and Q12 are in an inverted Darlington configuration and sink load current during negative excursions.

SERVICE SHEET 6 (Cont'd)

Amplifier Configurations

The FM Amplifier is switched by the AS Peak Deviation and Range Switch into three different configurations depending on the gain needed. For gains less than 0 dB, the amplifier is in a unity gain configuration followed by the positive shaping network (Service Sheet 7) which has little effect; an attenuator, which determines the overall gain; and the negative shaping network (Service Sheet 7) which has only a small effect. The effect of the shaping networks is small because voltage swings are small and the tuning characteristic of the varactor diodes is fairly linear over the narrow range of operation. For 0 dB gain, the amplifier is in a unity gain configuration, the positive shaping network and attenuator have no effect, and the negative shaping network has a small effect. For gains greater than 0 dB, the attenuator is in the feedback path and the gain is inversely proportional to the feedback attenuation. The positive shaping network is also in the feedback path and for large positive voltage excursions it increases the feedback attenuation and hence increases the amplifier gain. The negative shaping network is in the output path, and for large negative voltage excursions, the output attenuation is increased and the overall amplifier gain decreases.

Attenuator (A9)

Before entering the feedback path, the FM Amplifier output passes through an attenuator formed by resistors R4 through R7 which reduces the open-loop gain of the amplifier when only small closed-loop gain is needed. The gain control attenuator used in the feedback or output of the amplifier is formed by resistors R12 through. R22.

TROUBLESHOOTING

It is assumed that a problem has been isolated to the FM amplifier circuits as a result of using the troubleshooting block diagrams. Troubleshoot by using the test equipment listed below, performing the initial test conditions and control settings, and following Me procedures outlined in the table.

Test Equipment

Digital VoltmeterHP 3480B/3484A
OscilloscopeHE, 180A/1801A/1820C

NOTE

Use a 10 kW resistor, in series with the DVM probe tip, to reduce spurious oscillations in the amplifier circuitry while making dc measurements.

Initial Test Conditions

Bottom cover removed (see Service Sheet F for removal procedure). Extend A5 FM Amplifier Assembly on extender board. Remove A7 FM Shaping Assembly from chassis and disconnect cable A9W1 from A7J1.

SERVICE SHEET 6 (Cont'd)

Initial Control Settings

MODULATION FREQUENCY400 Hz
FM INT
PEAK DEVIATION 5 kHz
PEAK DEVIATION Vernier Full cw
RANGE0.5 - 1 MHz
FREQUENCY TUNECentered
(Four turns from stop)
RF ON/OFFON

FM Amplifier Troubleshooting

Component or Circuit	Test Conditions and Control Settings	Normal Indication	If Indication is Abnormal
Buffer Amplifier (A5)	Initial conditions and settings. Adjust PEAK DEVIATION vernier for 2 Vp-p at TP5(BUFFER IN).	2 Vp-p at TP6 (BUFFER OUT)	Check U1 and associated circuitry
FM Gain Compensation (A3A4) Circuit	Initial conditions and settings. Adjust PEAK DEVIATION vernier for 1 Vp-p at U1 pin 3.	1 Vp-p at TP2 (amplifier output)	Check U1 and associated circuitry
FM Amplifier (A5)	Initial conditions and settings. Adjust PEAK DEVIATION vernier for 2 Vp-p at TP5(BUFFER IN).	Peak-to-peak voltages at TP3 (+ INPUT) and TP4 (-INPUT) are the same	Set FM to OFF and use DVM to check dc voltages shown on schematic
	Switch RANGE through all ranges system and check gain	Gain in accordance with FM gain table on schematic.	Check switching of A9

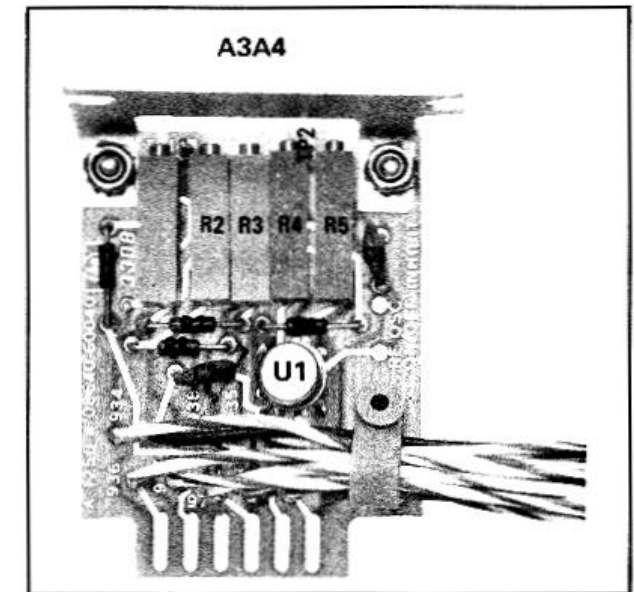


Figure 8-22. P/O A3A4 Connector Board Assembly Component Locations

A13

Components Locations for A13 Assembly are on Service Sheet 25.

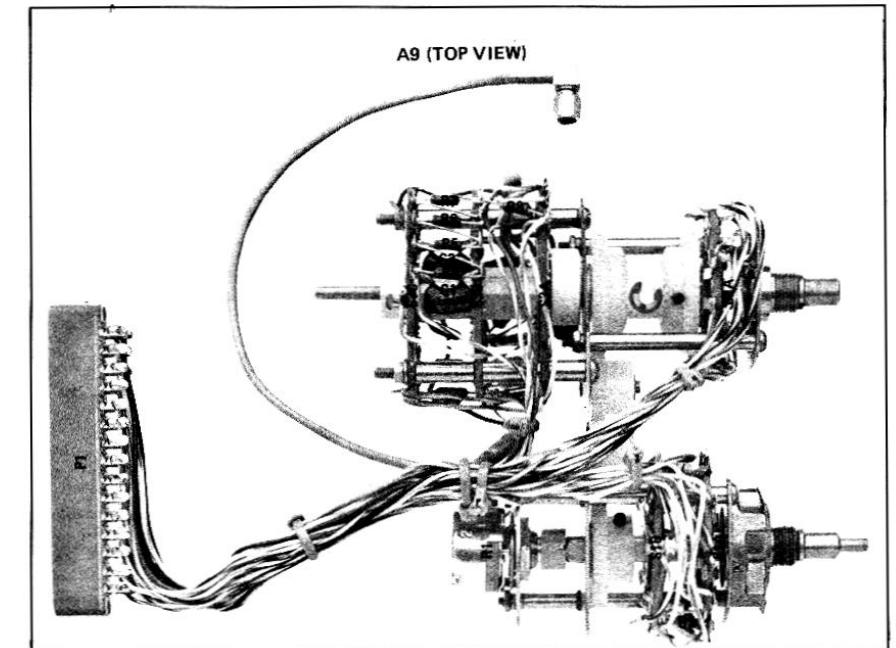


Figure 8-23. P/O A9 Peak Deviation and Range Switch Assembly Component Locations (1 of 2)

Oscillator (A3)

RF

←
SERVICE SHEET 5

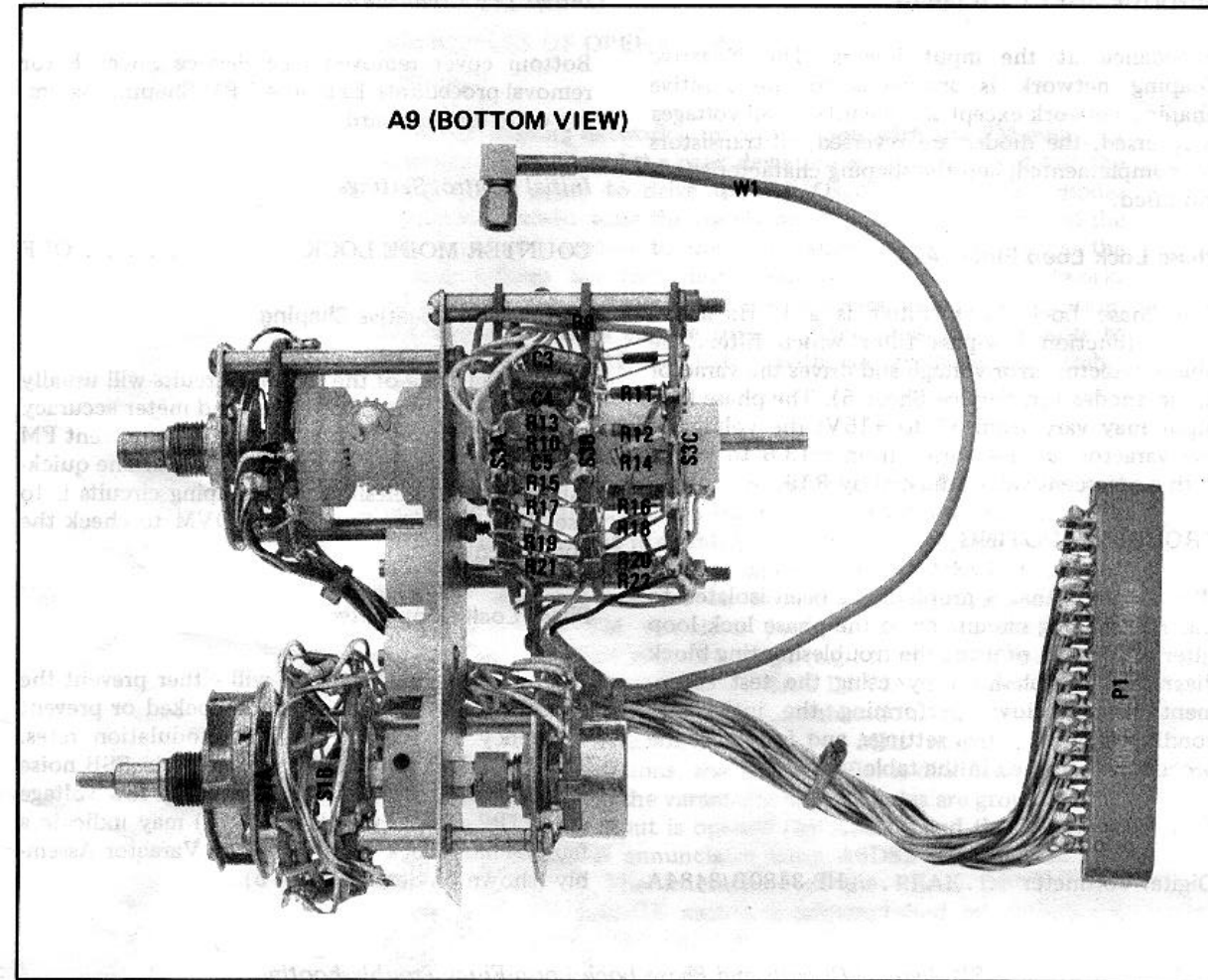


Figure 8-23. P/O A9 Peak Deviation and Range Switch Assembly Component Locations (2 of 2).

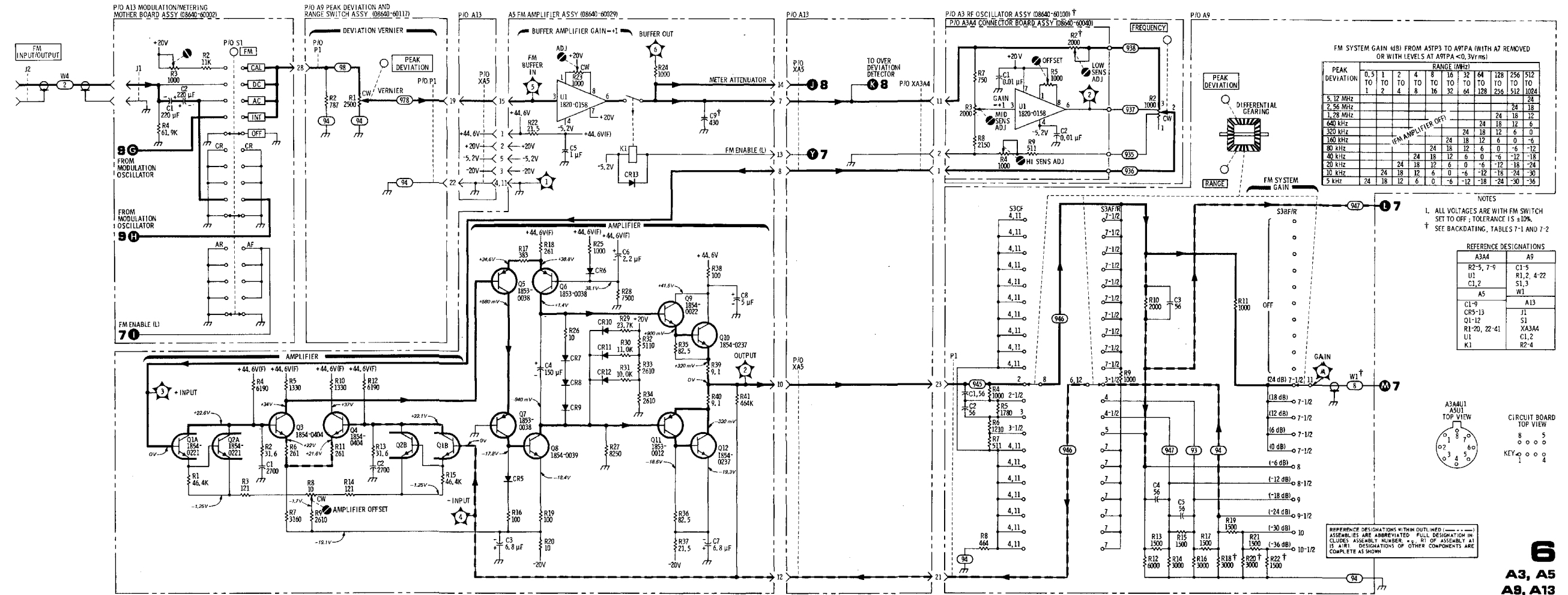


Figure 8-25. FM Amplifiers Schematic Diagram.

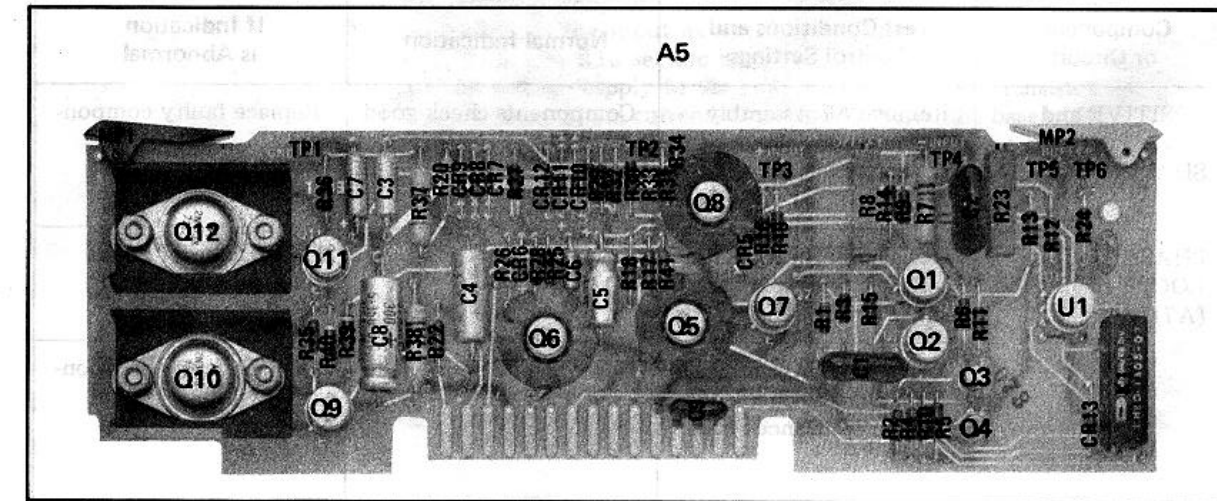


Figure 8-24. A5 FM Amplifier Assembly Component Locations.

SERVICE SHEET 7

PRINCIPLES OF OPERATION

General

The FM shaping networks, in conjunction with the FM amplifier (Service Sheet 6) and the peak deviation attenuator, condition the modulation signal to drive the RF Oscillator's varactor diodes which electrically tune the oscillator. The tuning sensitivity of the oscillator with respect to the modulation input decreases as the tuning voltage becomes more positive. The shaping networks compensate for the non-linear tuning characteristic. In addition, the varactor diodes can be tuned by the phase lock circuits to synchronize the RF oscillator with an accurate and stable reference oscillator.

FM Enable (A7)

The varactor diode cathodes are switched by FM Enable reed relay K1 either to R39 when the FM is disabled or to the amplifier output when the FM is enabled. The relay is energized only when the FM switch is not OFF and when the PEAK DEVIATION and RANGE switches are set to an allowable combination. The maximum peak FM deviation possible is 1% of the output frequency at the low end of a range (e.g., 2.56 MHz deviation on the 256 512 MHz range). The PEAK DEVIATION and RANGE switches, however, can be set to combinations that exceed this (e.g., 2.56 MHz deviation on the 2 4 MHz range). For such unallowable combinations, the FM amplifier is disabled (by A5K1 on Service Sheet 6), the varactor diode cathodes are grounded (by A7K1), the meter input is opened (by A5K1), and the REDUCE PEAK DEVIATION annunciator lamp A6DS2 is turned on (see Service Sheet 8). The interaction of the PEAK DEVIATION switch and the RANGE switch is accomplished by differential gearing between the two switches.

Positive and Negative Shaping (A7)

The Positive Shaping network presents an increasingly lower impedance to the input as the input voltage increases. Resistors R11, R12, and R13 set the base voltage of transistor Q5, and Q5 sets the voltage supply to the resistor-diode ladder. Transistor Q6 supplies most of the current. Capacitor C5 keeps the base of Q5 at an ac ground potential. Diode CR9 protects Q6 in the event of a shorted +20V supply. The base-emitter junction of Q5 temperature compensates the diodes of the ladder near it.

Transistor Q7 sets the voltage at the other end of the resistor-diode ladder at one diode junction drop below ground; it also temperature-compensates the diodes of the ladder near it. Transistor Q8 is a current sink. Capacitor C6 frequency-stabilizes Q7 and Q8. The diode cathodes in the ladder between Q7 and Q5 are at increasingly higher potentials. As the voltage at the input to the ladder increases, the diodes turn on consecutively and the

FM Amplifiers (A3, A5, A9, A13)
← SERVICE SHEET 6

SERVICE SHEET 7 (Cont'd)

impedance at the input lowers. The Negative Shaping network is analogous to the Positive Shaping network except the polarity of all voltages is reversed, the diodes are reversed, all transistors are complemented, and the shaping characteristic is modified.

Phase Lock Loop Filter (A7)

The Phase Lock Loop Filter is a 17 Hz active elliptic-function low-pass filter which filters the phase detector error voltage and drives the varactor diode anodes (on Service Sheet 5). The phase lock input may vary from +5 to +15V; the voltage at the varactor anodes varies from -13.6 to -16V with a quiescent value adjusted by R19.

TROUBLESHOOTING

It is assumed that a problem has been isolated to the FM shaping circuits or to the phase lock loop filter as a result of using the troubleshooting block diagrams. Troubleshoot by using the test equipment listed below, performing the initial test conditions and control settings, and following the procedures outlined in the table.

Test Equipment

Digital Voltmeter HP 3480B/3484A

Initial Test Conditions

Bottom cover removed (see Service Sheet F for removal procedure). Extend A7 FM Shaping Assembly on extender board.

Initial Control Settings

COUNTER MODE LOCKOFF

Positive and Negative Shaping

A trouble in one of the shaping circuits will usually cause FM sensitivity, distortion, and meter accuracy to be out of specification and will also prevent FM linearity from being correctly adjusted. The quickest way to troubleshoot the shaping circuits is to use the ohms function of the DVM to check the components.

Phase Lock Loop Filter

A trouble in the loop filter will either prevent the generator from becoming phase-locked or prevent frequency modulation at low modulation rates. Trouble might also cause an increase in SSB noise or residual FM while phase-locked. A low voltage at A7TP2 (VARACTOR ANODE) may indicate a faulty Phase Lock Loop Filter or Varactor Assembly (shown on Service Sheet 5).

FM Shaping Circuits and Phase Lock Loop Filter Troubleshooting

Component or Circuit	Test Conditions and Control Settings	Normal Indication	If Indication is Abnormal
POSITIVE and NEGATIVE SHAPING (A7)	Remove A7 Assembly from chassis. Check component resistances with DVM.	Components check good	Replace faulty component
PHASE LOCK LOOP FILTER (A7)	Initial conditions and settings. Check voltages shown on schematic.	Voltages check good	Check counter phase lock circuits and U1
	Remove A7 Assembly from chassis. Check component resistances with DVM.	Components check good	Replace faulty component

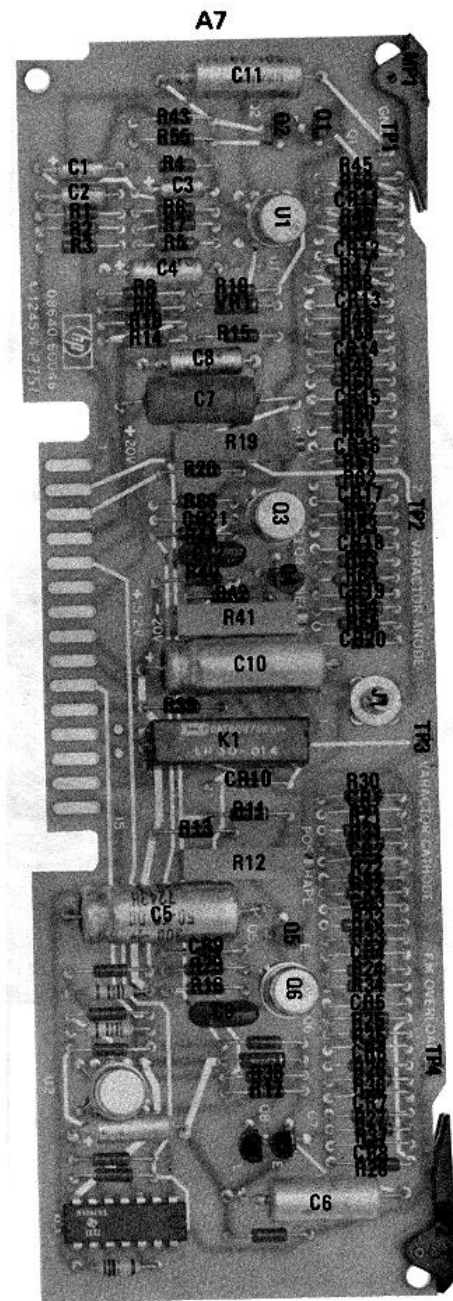


Figure 8-26. P/O a7 FM Shaping Assembly Component Locations.

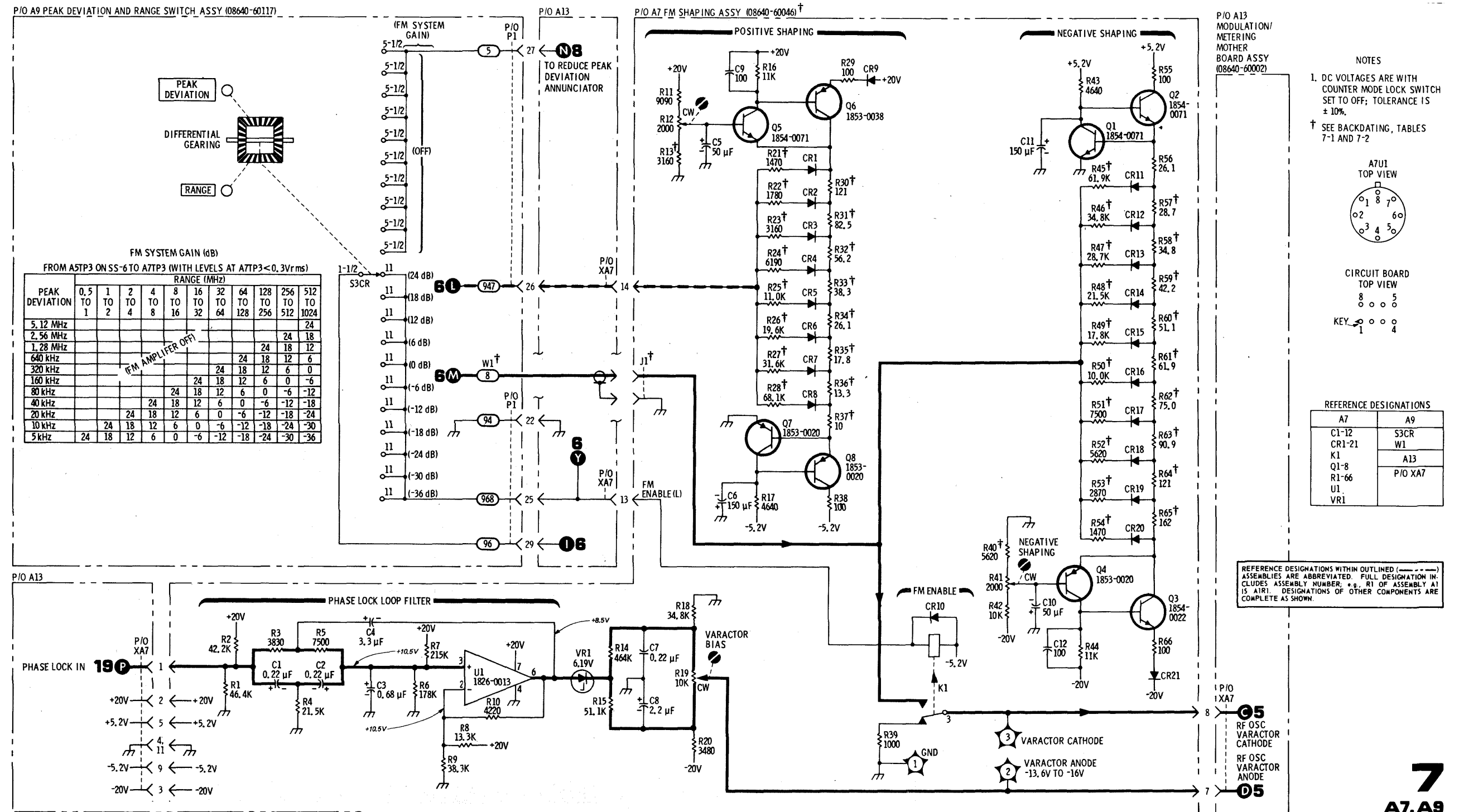


Figure 8-27. FM Shaping Circuits and Phase Lock Loop Filter Schematic Diagram.

SERVICE SHEET 8

PRINCIPLES OF OPERATION

Over-Deviation Detector (A7)

If the FM input signal is too large for the FM circuits to operate properly, the Over-Deviation Detector lights the REDUCE FM VERNIER annunciator lamp A6DS1. Integrated circuit U2 is a dual comparator amplifier with wired-OR outputs. Pin 7 of U2B is at 1.1 Vdc; pin 4 of U2A is at -1.1 Vdc; these two voltages are the high and low reference voltages. Pins 6 and 3 of U2 are the common inputs. If the input, which comes from the FM buffer amplifier, is not between +1.1 and -1.1V, the outputs go high (>1V). Integrated circuit U3 is a hex inverter with open collector outputs. U3A inverts the comparator output. When U3A goes low, capacitor C13 is discharged; when U3A goes high again, C13 slowly charges through R76. This effectively increases the duration of the comparator output when overloading occurs only for short periods. U3B inverts the output of U3A and drives four parallel inverters U3C to U3F. When the outputs of the four parallel inverters are low, the display lamp turns on, which occurs whenever the input to U3B is low.

Peak Deviation Switch (A9)

The Meter Attenuator scales the FM input signal to give the correct reading on the meter.

The Scale/Annunciator Lamp Control section of the switch lights the proper scale annunciator lamp (on A6) for a given peak deviation range when the meter mode selected is FM.

TROUBLESHOOTING

It is assumed that a problem has been isolated to the over-deviation detector, meter attenuator, or scale/annunciator lamp control circuits as a result of using the troubleshooting block diagrams.

Test Equipment

Digital VoltmeterHP 3480B/3484A
Oscilloscope.....HP 180A/1801A/1820C

Initial Test Conditions

Bottom cover removed (see Service Sheet F for removal procedure). Extend A7 FM Shaping Assembly on extender board. Connect AM OUTPUT to FM INPUT.

Initial Control Settings

AMINT
AUDIO OUTPUT LEVELcw
MODULATIONccw
MODULATION FREQUENCY400 Hz (Fixed)
FMAC
PEAK DEVIATION5 kHz
PEAK DEVIATION Vernierccw
RANGE0.5 - 1 MHz

SERVICE SHEET 8 (Cont'd)

Over-Deviation and Meter Control Circuits Troubleshooting

Component or Circuit	Test Conditions and Control Settings	Normal Indication	If Indication is Abnormal
OVER-DEVIATION DETECTOR (A7)	Initial conditions and settings. Adjust PEAK DEVIATION vernier for 1.8 Vp-p at U2 pins 3 and 6.	REDUCE FM VERNIER lamp unlit and 1. pins 6, 8, 10, 12 high 2. U3B pin 4 low 3. U3A pin 2-high 4. TP4 (FM OVER-LOAD) low	Replace faulty component
	Adjust PEAK DEVIATION vernier for 2.4 V p-p at U2 pins 3 and 6	REDUCE FM VERNIER lamp lit and 1. pins 6, 8, 10, 12 low 2. U3B pin 4 high 3. U3A pin 2 low 4. TP4 (FM OVER-LOAD) >2 Vp-p	Replace faulty component
SCALE/ANNUNCIATOR LAMP CONTROL (A9)	Initial conditions and settings. Set Meter Function to FM and set PEAK DEVIATION as follows:	SCALE lamps light as follows: 5 kHz 5 10 kHz 10 20 kHz 3 40 kHz 5 80 kHz 10 160 kHz 3 320 kHz 3 640 kHz 10 1.28 MHz 3 2.56 MHz 3 5.12 MHz 5	Check scale lamps (A6) and switches

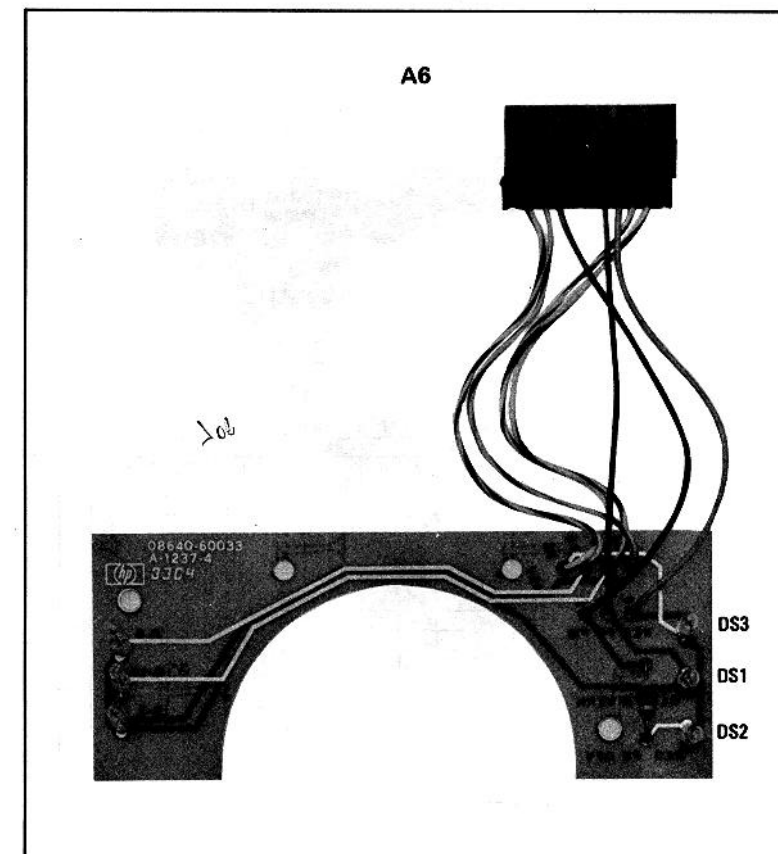


Figure 8-28. P.O A6 Annunciator Assembly Component Locations.

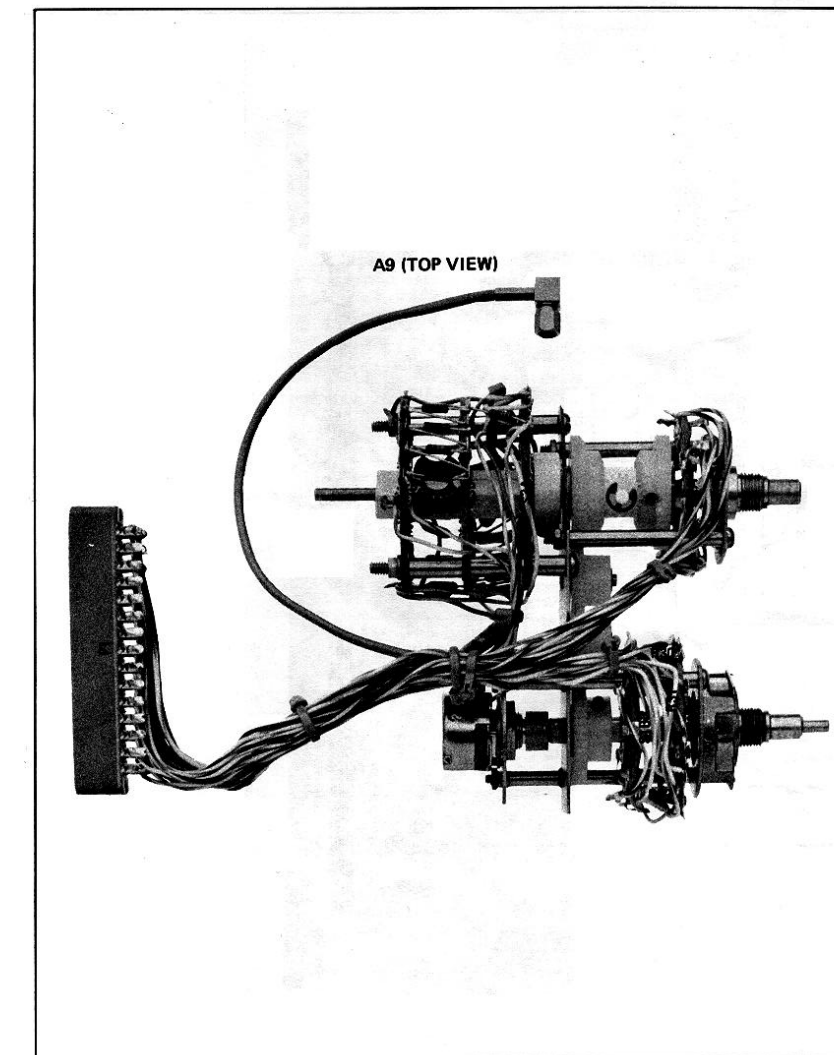


Figure 8-29. P/O A9 Peak Deviation and Range Switch Assembly Component Locations (1 of 2).

← FM Shaping Circuits and Phase Lock Loop Filter (A7, A9)
← SERVICE SHEET 7

SERVICE SHEET 9

PRINCIPLES OF OPERATION

General

When either the AM or FM modulation select switch is set to INT, the Modulation Oscillator is enabled. The oscillator feeds a 1000 or 400 Hz signal (selected by the MODULATION FREQUENCY switch) into the AM or FM modulator circuits and to the AM or FM front panel OUTPUT ports. The fixed-frequency modulation oscillator, shown on this Service Sheet, is the standard oscillator supplied with the generator.

Modulation Oscillator (A1 1)

Amplifier U1 is the gain block. A frequency-selective bridged-tee network forms a negative feedback path for U1. (This network is a notch filter with zero phase shift at the minimum of the notch.) The frequency of oscillation is determined by the network: C1, C2, and either A1A1R1 and R2 or R3 and R4. The positive-feedback path is a voltage divider in which the amount of feedback is determined by the output of a peak detector. (The amount of feedback automatically adjusts to maintain oscillation at a constant amplitude.) The voltage divider consists of R4, R3, CR1, and CR2. Diodes CR1 and CR2 are in ac parallel and dc series. The ac resistance is determined by the dc voltage across capacitor C5. At the peak of each output cycle VR2 and CR3 conduct and replenish the charge lost from C5. The ac voltage at the output of U1 is about 5.1 Vrms.

Buffer Amplifiers (A11)

Resistors R5, R6, and R7 lower the oscillator output voltage to 2.3 Vrms at TP5. Resistors R13

and R14 lower the voltage to about 0.84 Vrms at TP3 and TP4. Transistor Q5 drives the FM PEAK DEVIATION vernier potentiometer; Q4 drives the AM MODULATION potentiometer; Q1 drives the AM OUTPUT port; and Q2 drives the FM OUTPUT port. Signal levels at the two ports are approximately 1 Vrms into 600Ω.

TROUBLESHOOTING

It is assumed that a problem has been isolated to the fixed-frequency modulation oscillator as a result of using the troubleshooting block diagrams. Troubleshoot by using the test equipment listed below, performing the initial test conditions and control settings, and following the procedures outlined in the table.

Test Equipment

Digital Voltmeter HP 3480B/3484A
Oscilloscope HP 180A/1801A/1820C

Initial Test Conditions

Top and bottom covers removed (see Service Sheet F for removal procedure). Extend All Fixed-Frequency Modulation Oscillator Assembly on extender board (see Service Sheet C for removal procedure).

Initial Control Settings

AM INT
AUDIO OUTPUT LEVEL CW
MODULATION FREQUENCY 400 Hz

Fine Frequency Adjustment

The oscillator's frequency can be lowered slightly by twisting the orange (3), yellow (4), and green (5) wires together. The wires connect MODULATION FREQUENCY switch A11A1S1 to the All circuit board.

Fixed-Frequency Modulation Oscillator Troubleshooting

Component or Circuit	Test Conditions and Control Settings	Normal Indication	If Indication is Abnormal
MODULATION OSCILLATOR ASSY (A11)	Initial conditions and settings. Then set MODULATION FREQUENCY to 1000 Hz.	Peak-to-peak voltages are as shown on schematic	Check appropriate circuit and replace faulty component
	Set AM to OFF. Use DVM to check dc voltages.	DC voltages check good	Replace faulty component

← **Over-Deviation Detector and Meter Control Circuits (A6, A7, A9) SERVICE SHEET 8**

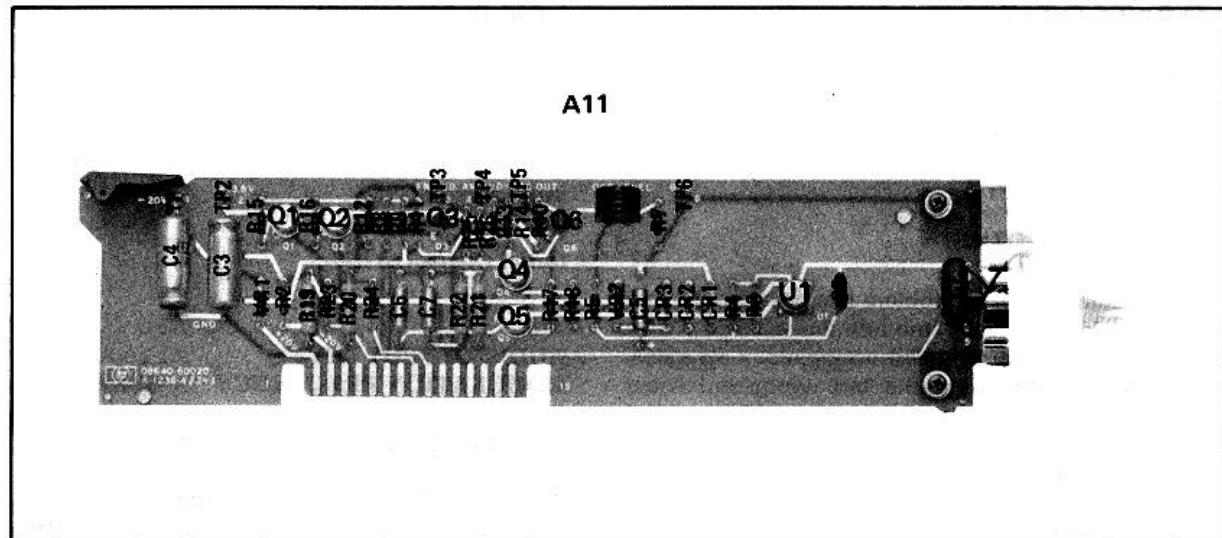


Figure 8-32. A11 Fixed-Frequency Modulation Oscillator Component Locations.

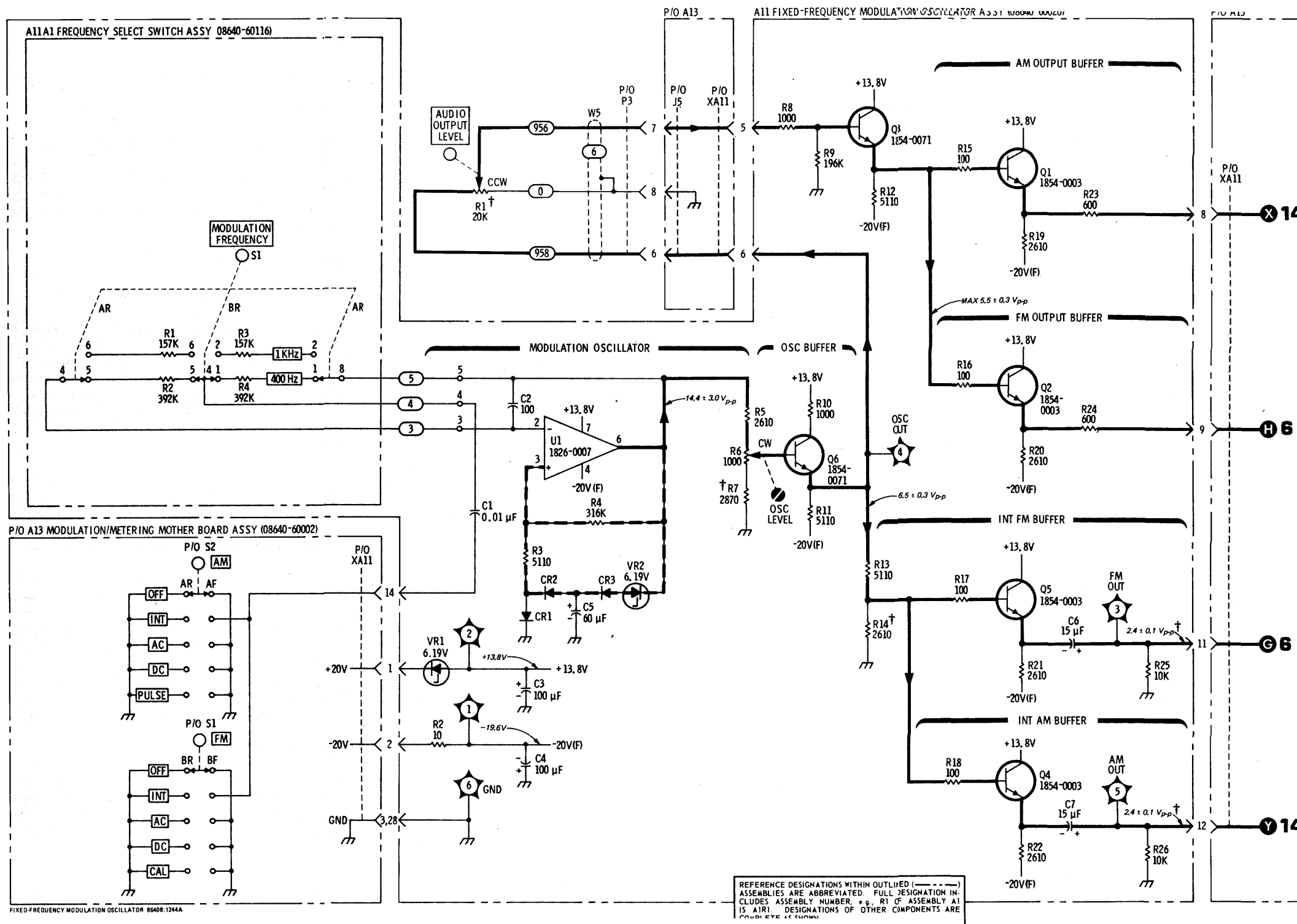
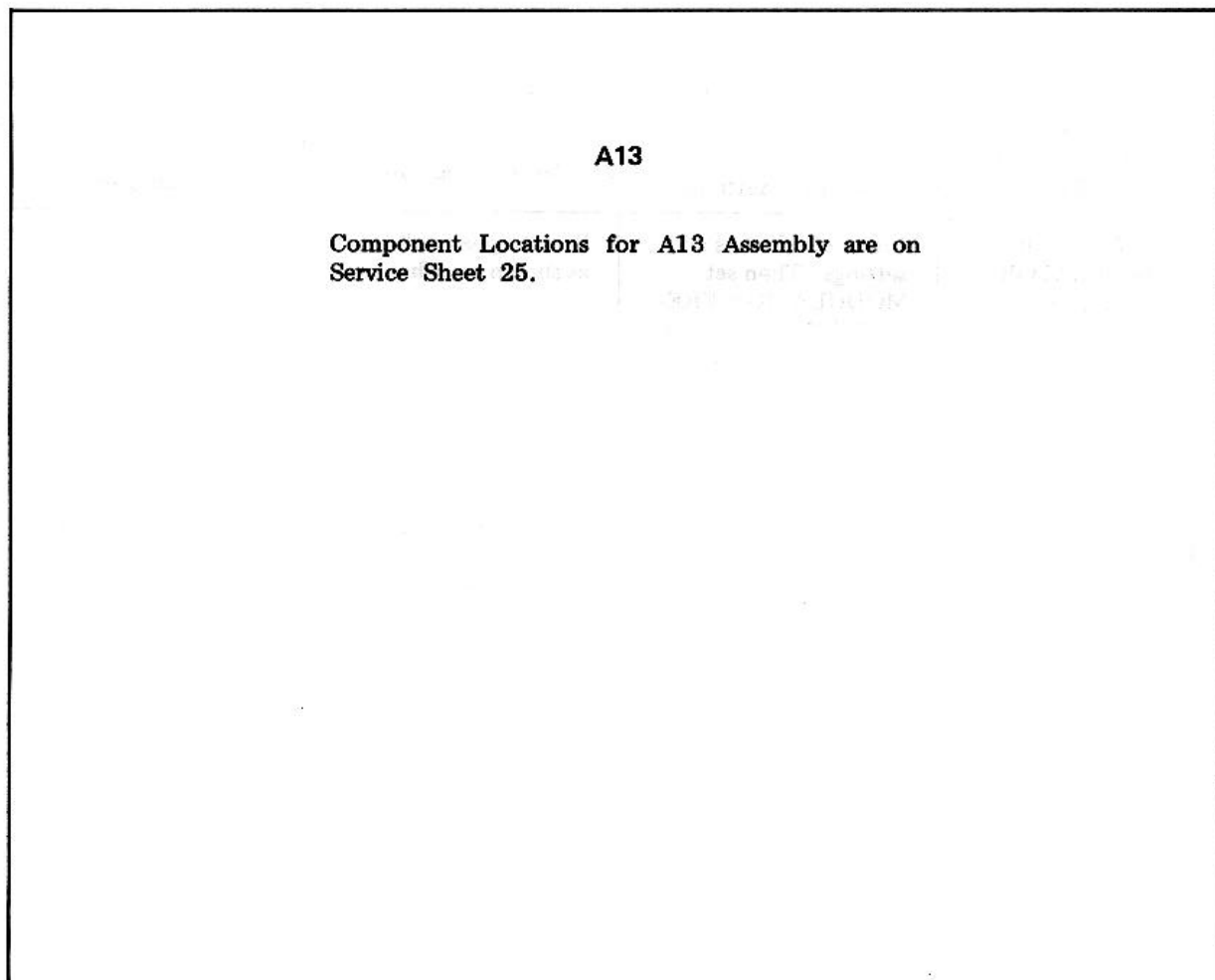


Figure 8-33. Fixed-Frequency Modulation Oscillator Schematic Diagram.

SERVICE SHEET 9A

PRINCIPLES OF OPERATION

General

When either the AM or FM modulation select switch is set to INT, the Modulation Oscillator is enabled. The oscillator feeds a signal with a frequency selected by the MODULATION FREQUENCY switch into the AM or FM modulator circuits and to the AM or FM front panel OUTPUT ports. The variable-frequency modulation oscillator, shown on this Service Sheet, is supplied with Option 001.

Modulation Oscillator (A11)

The Modulation Oscillator is a Wein-bridge type. Transistors Q7 to Q12 form a differential amplifier. The gate of FET Q11 is a high impedance non-inverting input of the amplifier. Transistor Q12 is an emitter-follower buffer amplifier. Trimmer capacitor C9 compensates for the high frequency phase shift of the amplifier. Transistors Q9 and Q10 provide voltage gain and drive the complementary symmetry output transistors Q7 and Q8. The inverting input to the amplifier is the emitter of Q9. Diodes CR2 to CR4 bias and thermally compensate Q7 and Q8. Components R19, C11, and C12 frequency compensate the amplifier. Resistor R26 provides negative dc feedback.

A frequency-selective Wein ladder forms a positive feedback path. This network is a band pass filter with zero phase shift at the maximum of the pass band. The frequency of oscillation is determined by the resistors and capacitors of the ladder. In the FIXED FREQ range, C6 and C7 are the ladder capacitors and either R2 and R6 or R3 and R5 in parallel with R6 are the resistors. In the variable frequency ranges, C1A and C1B are the variable ladder capacitors and R1 and R4 (each in parallel with one or none of the resistors on the A11A1 Frequency Select Switch) are the resistors. Capacitors C2, C3, C4, and C5 set the frequency end points and maximize flatness for a given frequency range. The negative feedback path is a voltage divider in which the amount of feedback is determined by the output signal level. The amount of feedback adjusts to maintain oscillation at a constant amplitude. The voltage divider consists of R28 and RT1, a thermistor assembly. Diodes VR1, VR2, CR5, and CR6 add a small amount of odd-harmonic distortion to stabilize the amplitude characteristic of the oscillator.

Buffer Amplifiers (A11)

Transistors Q1 to Q4 form the AM/FM Output Buffer Amplifier which is similar in operation to the oscillator output amplifier. Gain of the amplifier is adjusted by R40. The outputs drive the external AM or FM ports. Resistors R34, R35, and R36 attenuate the oscillator output to a level of

SERVICE SHEET 9A (Cont'd)

0.84 Vrms. Transistor Q5 drives the FM PEAK DEVIATION potentiometer (Service Sheet 6), and Q6 drives the AM MODULATION potentiometer (Service Sheet 14).

TROUBLESHOOTING

It is assumed that a problem has been isolated to the variable-frequency modulation oscillator as a result of using the troubleshooting block diagrams. Troubleshoot by using the test equipment listed below, performing the initial test conditions and control settings, and following the procedures outlined in the table.

Test Equipment

Digital Voltmeter HP 3480B/3484A
Oscilloscope HP 180A/1801A/1820C

Initial Test Conditions

Top and bottom covers removed (see Service Sheet F for removal procedure). Extend All Variable-Frequency Modulation Oscillator Assembly on extender board (see Service Sheet C for removal procedure).

Initial Control Settings

AM INT
AUDIO OUTPUT LEVEL cw
MODULATION FREQUENCY 400 Hz (Fixed)

Amplitude Stability and Distortion

The signal level of the oscillator is adjusted (by selection of R28) for best compromise between harmonic distortion and amplitude stability (squegging at turn-on or range change). See Table 5-1, Factory Selected Components.

Variable-Frequency Modulation Oscillator Troubleshooting

Component or Circuit	Test Conditions and Control Settings	Normal Indication is Abnormal	If Indication
MODULATION OSCILLATOR ASSY (A11)	Initial conditions and settings. Then set MODULATION FREQUENCY to 1000 Hz (fixed) and to each of the variable ranges (X1, X10, etc.) Vary the vernier on each range.	Peak-to-peak voltages are as shown on schematic	Check appropriate circuit and replace faulty component
	Set AM to OFF	DC voltages are as shown on schematic	Replace faulty component

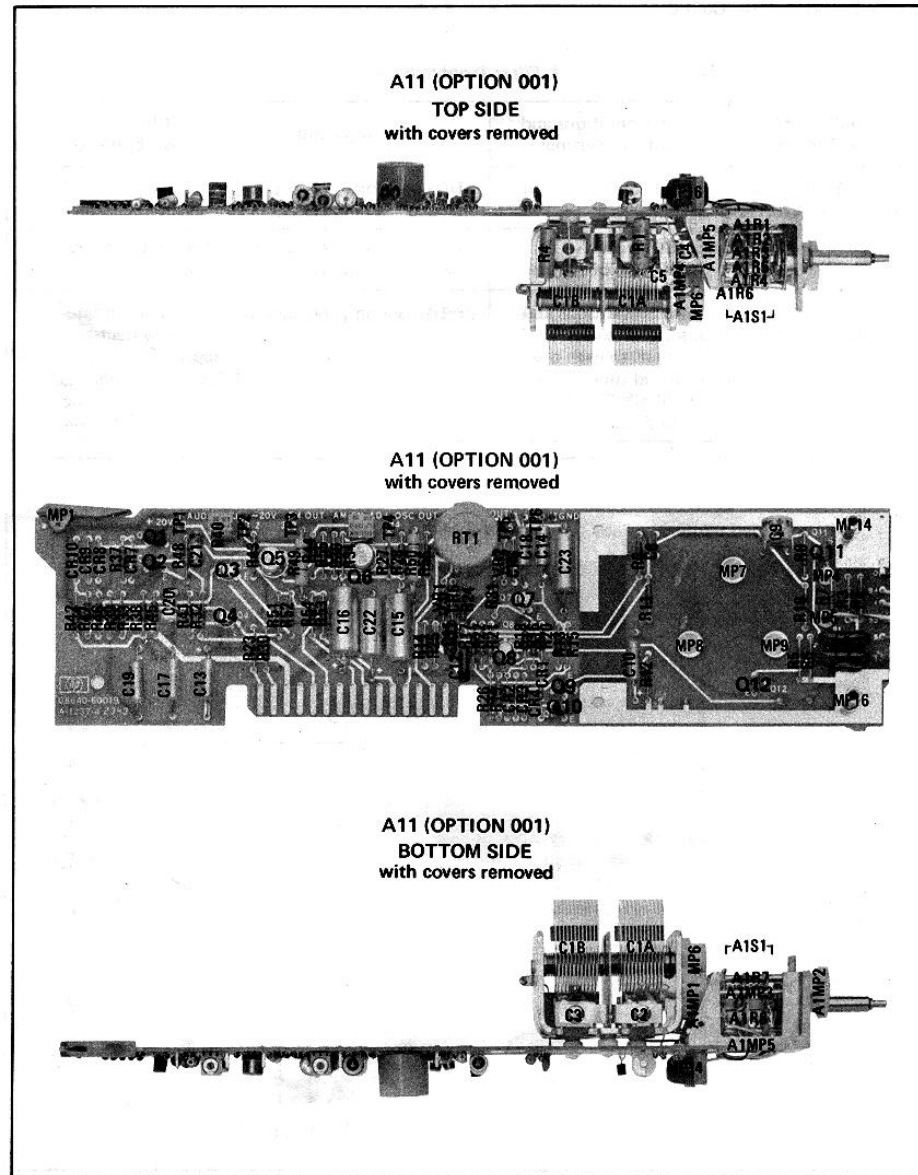


Figure 8-34. A11 Variable-Frequency Modulation Oscillator Assembly (Option 001) Component Locations.

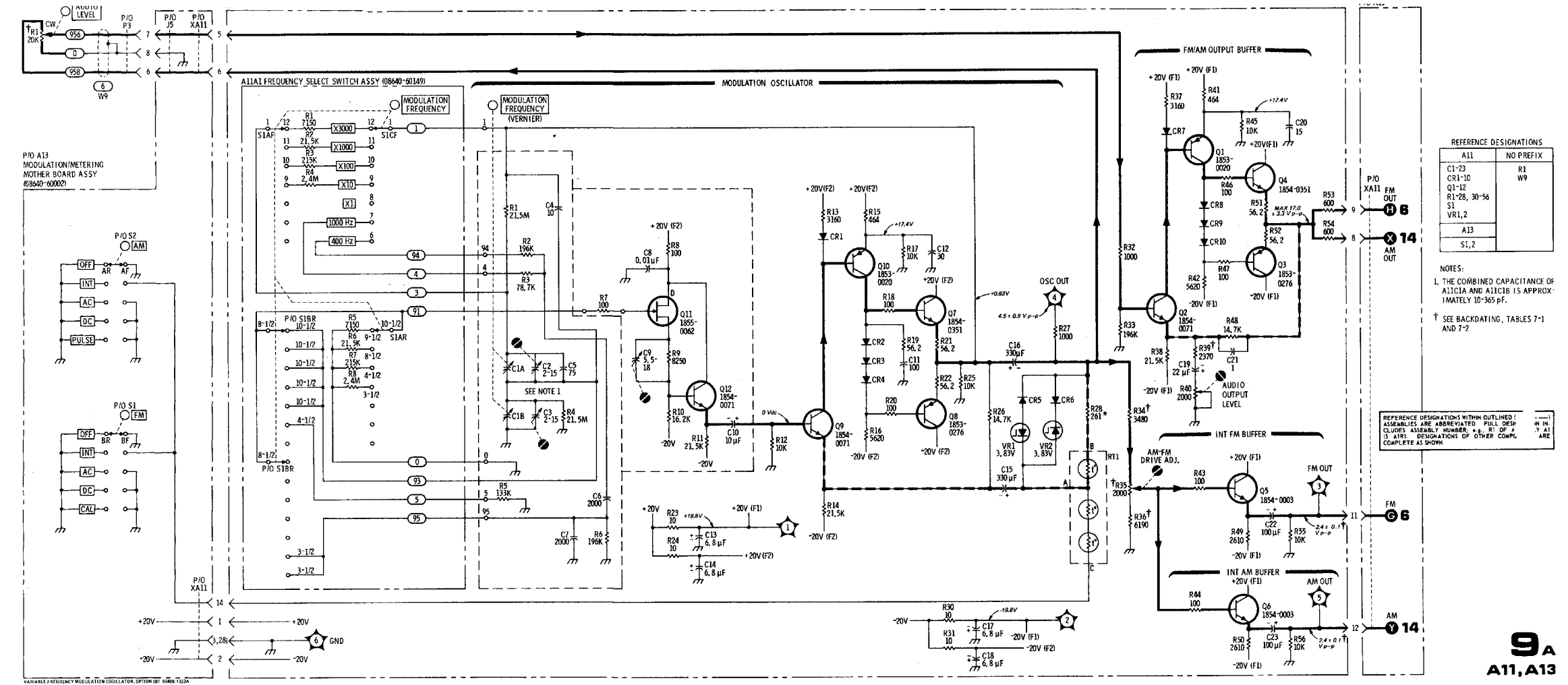
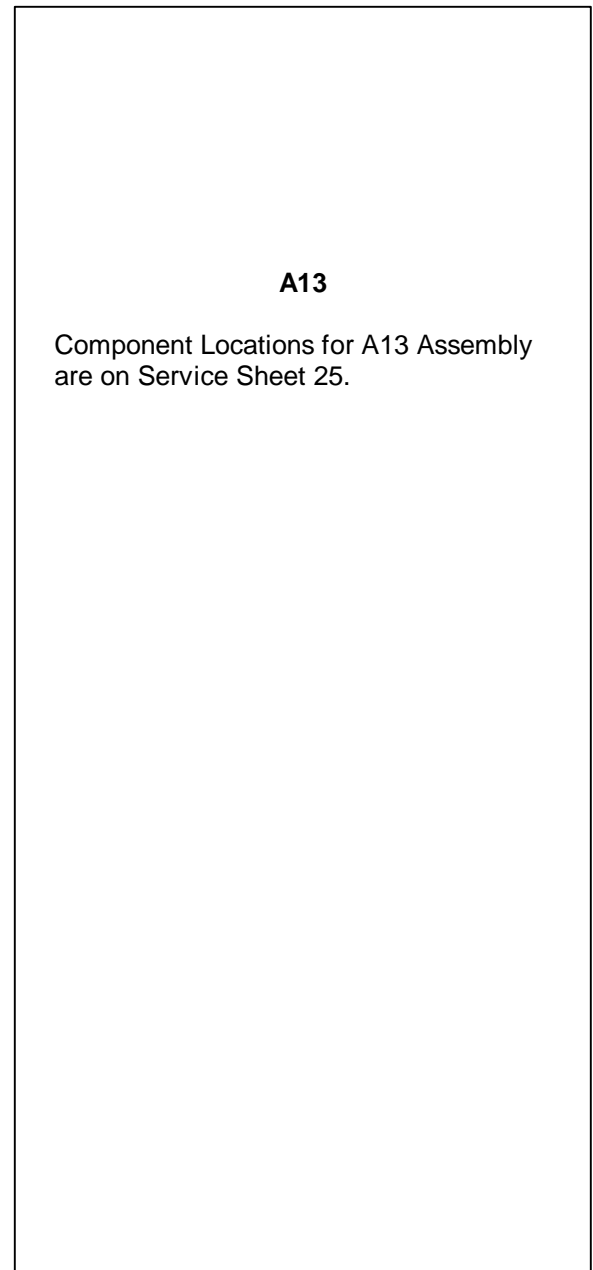


Figure 8-35. Variable-Frequency Modulation Oscillator (Option 001) Schematic Diagram.

REFERENCE DESIGNATIONS

A11	NO PREFIX
C1-23	R1
Q1-12	W9
R1-28, 30-56	
S1	
VR1,2	
A13	
S1,2	

NOTES:
 1. THE COMBINED CAPACITANCE OF ALL C1A AND ALL C1B IS APPROXIMATELY 10-365 pF.
 † SEE BACKMATING, TABLES 7-1 AND 7-2.

REFERENCE DESIGNATIONS WITHIN OUTLINED ASSEMBLIES ARE ABBREVIATED. FULL DESIGNS WITHIN CLUSTERS ARE ABBREVIATED. R1 OF A11, A13, A14, A15, A16, A17, A18, A19, A20, A21, A22, A23, A24, A25, A26, A27, A28, A29, A30, A31, A32, A33, A34, A35, A36, A37, A38, A39, A40, A41, A42, A43, A44, A45, A46, A47, A48, A49, A50, A51, A52, A53, A54, A55, A56, A57, A58, A59, A60, A61, A62, A63, A64, A65, A66, A67, A68, A69, A70, A71, A72, A73, A74, A75, A76, A77, A78, A79, A80, A81, A82, A83, A84, A85, A86, A87, A88, A89, A90, A91, A92, A93, A94, A95, A96, A97, A98, A99, A100.

9A
A11, A13

SERVICE SHEET 10

PRINCIPLES OF OPERATION

Divider/Filter Assembly - General

The A10 Divider/Filter Assembly frequency-divides and filters the signal from the RF oscillator. The divider network (see Service Sheet 11) consists of a chain of nine binary dividers (+2). The output is taken either from the RF oscillator buffer or from an OR gate at the output of one of the dividers, depending on the frequency range selected; all other divider output gates are disabled and also the divider immediately following the output divider. The output gates are transformer coupled out and drive a power amplifier which drives the modulator (see Service Sheet 12). The modulator controls the signal level and adds AM.

The output from the dividers (and the modulator) is approximately a square wave. The low-pass filters remove the signal's harmonics. On the four lowest frequency bands, the square wave output is quite symmetrical (i.e., second harmonics are well suppressed). In the lower portion of these bands, the filters suppress only the third harmonic and higher.

On higher frequency bands the divider output is more asymmetrical and more second harmonic is present. Each of these bands has two filters. In the lower portion of these bands, the first filter's stop-band frequency is made low enough to suppress the second harmonic. In the higher portion of the band, a filter with a higher stop-band frequency is switched in to suppress the second harmonic. The high-band filter is switched in at approximately the geometric mean of the frequency extremes of the band. A Schmitt Trigger (see Service Sheet 11) senses a dc voltage, VT which is proportional to the frequency, and relays switch the filters at the geometric mean. On the four lowest bands, the low band filter for the 16 32 MHz range is also switched in series with the band filters to improve the rejection of high-order harmonics. All range switching is done by cam-operated slide switches on the filter board (A10A1). The filters drive the output amplifier which drives the RF output and AGC circuits. The filters are inside the AGC feedback loop (see Service Sheet 3).

RF Filters (A10A1)

The A10A1 RF Filter Assembly contains sixteen RF lowpass filters and six slide switches that are controlled by the RANGE switch. The filters for the four lowest bands (0.5 8 MHz bands) are sharp-cutoff, elliptic-function filters. The remaining filters are Chebishev filters. In the six highest bands, relays K1 and K3 switch in the low band filters when the frequency is below the geometric mean frequency of the range and relays K2 and K4 switch in the high band filters when above the geometric mean. The slide switches route the RF signal to the proper filters, activate the frequency dividers, and route the RF signal to and from dividers. Each slider has three detented positions.

SERVICE SHEET 10 (Cont'd)

TROUBLESHOOTING

It is assumed that a problem has been isolated to the RF Filter circuits as a result of using the troubleshooting block diagrams. Troubleshoot by using the test equipment listed below, performing the initial test conditions and control settings, and following the procedures outlined in the table.

Test Equipment

Digital Voltmeter..... HP 3480B/3484A

Initial Test Conditions

Top cover removed (see Service Sheet F for removal procedure).

A10 Divider/Filter Assembly casting cover removed, A10A2 RF Divider Assembly removed and extended for service with access to A10A1 RF Filter Assembly (see Service Sheet D for procedures).

Initial Control Settings

Meter FunctionVOLTS
 COUNTER MODE: EXPAND Off
 LOCK Off
 Source.....INT
 AM OFF
 FM OFF
 RANGE 256 - 512 MHz
 FREQUENCY TUNE 550 MHz
 OUTPUT LEVEL -10 dBm
 RF ON/OFF ON

RF Filter Circuits

The quickest way to isolate a divider/filter problem is to use the front panel controls to set various frequencies and frequency ranges while monitoring the output voltage meter. Usually a problem will appear as shown in the following table.

SERVICE SHEET 10 (Cont'd)

Symptom	Probable Cause
No output on one band only	Defective output circuit for one of the dividers, a filter, or a slide switch
No output on one band and all bands below that band	Defective divider or 16 - 32 MHz low band filter or 0.5 to 8 MHz divider output transformer
Low power at highest end of bands (8 to 1024 MHz) only	Defective geometric mean switching (high band filters not being switched in)
Overly high harmonics at lowest end of bands (8 to 1024 MHz) only	Defective geometric mean switching (low band filters not being switched in)
Intermittent power	Poor contact on slide switch
Changing bands does not change output frequency even though the counter may indicate a change	Loose coupler between RANGE switch and Divider/Filter switch assembly

The dividers and the Schmitt Trigger circuits are shown and discussed on Service Sheet 11 (the relays driven by the Schmitt Trigger circuits are shown on this service sheet).

NOTE
 The following procedure checks gross failure. A more comprehensive check can be made by performing the Filter Adjustment in Section V.

Variable-Frequency Modulation Oscillator for Option 001 (All, A13)
 ← **SERVICE SHEET 9A**

SERVICE SHEET 10 (Cont'd)

RF Filter Troubleshooting

Component or Circuit	Test Conditions and Control Settings	Normal Indication	If Indication is Abnormal
HIGH/LOW BAND RELAYS (A10A1)	Initial conditions and settings	DC continuity across contacts of K2 and K4	Check K2, K4, and associated circuitry
	Set FREQUENCY TUNE to 256 MHz	DC continuity across contacts of K1 and K3	Check K1, K3 and associated circuitry
RF FILTERS (A10A1)	Initial conditions and settings then set RANGE to each position and tune FREQUENCY TUNE full cw and full ccw	-10 dBm on panel meter	Check appropriate switch contacts and appropriate high and low band filters

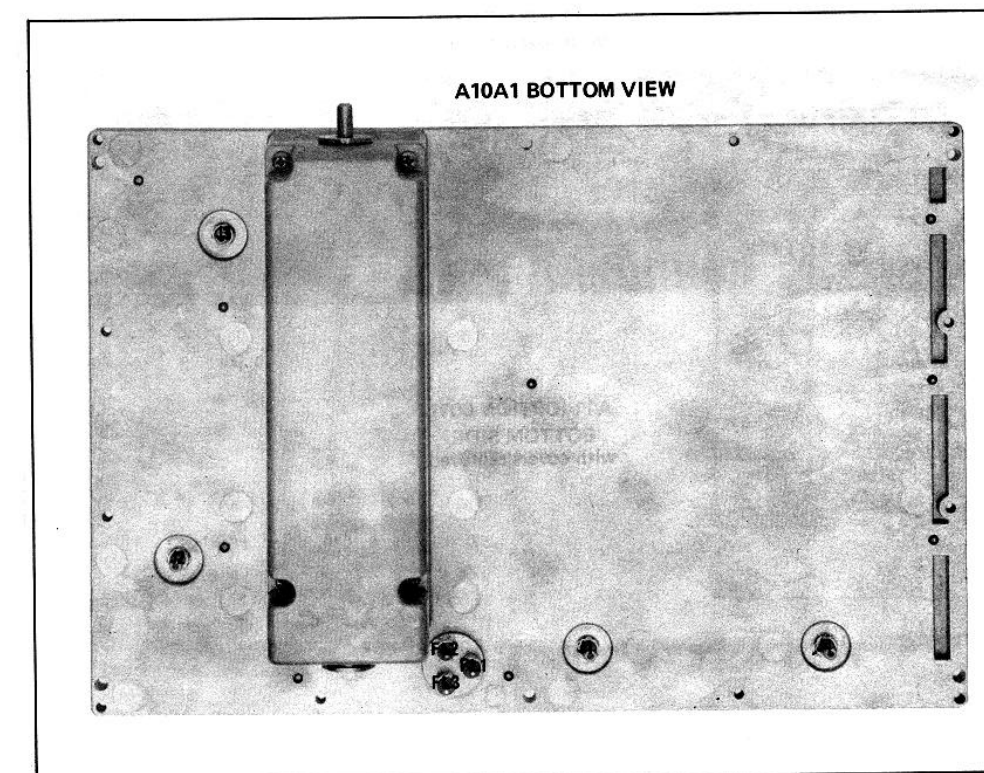


Figure 8-36. A10A1 RF Filter Assembly Component Locations (1 of 2).

SERVICE SHEET 11

PRINCIPLES OF OPERATION

RF Dividers (A10A2)

The A10A2 RF Divider Assembly frequency-divides the 256-512 MHz signal from the RF oscillator to obtain lower output frequencies. (The overall operation of the A10 Divider/ Filter Assembly is described on Service Sheet 10.) On the two highest frequency bands (256-512 MHz) and external doubler, the dividers are bypassed. On the other bands, the signal from the oscillator is amplified and limited by buffer amplifier U11.

The outputs of the first three dividers drive complementary output OR gates (U10A, U13B and U15B) which drive the next divider stage with one output and another complementary output OR gate (U10B, U13A, and U15A) with the other. The latter gates drive output transformers T1, T2, and T3 in push-pull, and are enabled by inverter transistors Q2, Q3, and Q4 respectively.

When an output OR gate is enabled, the next divider stage is disabled. (Note that ground is a logical high and negative or open a logical low for EECL and ECL devices.) The Q and Q outputs of the next two stages each drive NOR gates (U17B, U17C, U19B, and U19C) in push-pull which in turn drive transformers T4 and T5 in push-pull. The final four divider stages operate in a manner similar to the previous two stages. The NOR-gate outputs, however, drive a common output transformer T6. The last NOR-gate output pair is enabled through diodes CR1, CR2, and CR3 connected in a logical OR configuration.

All output transformers drive pi-network pads which are switched onto the line leading to the modulator circuits. The attenuation of the first three pads (R6-8, R12-14, and R18-20) is set (from 3 to 6 dB) to prevent excessive signal level from being applied to A26U2 (Service Sheet 12). The attenuation level is set by changing the values of the resistors.

Schmitt Trigger (A10A2)

Amplifier U1 is a Schmitt Trigger which senses when the voltage V_T (proportional to the RF oscillator frequency) reaches the value corresponding to the geometric mean of the frequency band. The reference voltage is determined by resistors R55, R56, and R57; R58 adds a small amount of hysteresis. Transistor Q1 complements the amplifier output. Inverter U6A activates the low band relays A10A1K1 and K3 (Service Sheet 10); and U6B activates the high band relays A10A1K2 and K4 (Service Sheet 10). The inverters are driven in complement except that capacitors C18 and C19 hold both inverters on simultaneously for a few milliseconds during a transition to provide a make-before-break action.

SERVICE SHEET 11 (Cont'd)

TROUBLESHOOTING

It is assumed that a problem has been isolated to the RF divider circuits as a result of using the troubleshooting block diagrams. Troubleshoot by using the test equipment listed below, performing the initial test conditions and control settings, and following the procedures outlined in the table.

Test Equipment

Digital Voltmeter..... HP 3480B/3484A

NOTE

If problems occur only on the lower bands, an oscilloscope can be used to locate the defective RF circuit. On the higher bands, either a high frequency oscilloscope, a sampling oscilloscope, or a spectrum analyzer (with a high impedance probe) can be used.

Initial Test Conditions

Top cover removed (see Service Sheet F for removal procedure) and A10 Divider/Filter Assembly casting cover removed (see Service Sheet D for removal procedure).

Initial Control Settings

Meter FunctionVOLTS
 COUNTER MODE: EXPAND Off
 LOCK..... Off
 SourceINT
 AM..... OFF
 FM..... OFF
 RANGE 256 - 512 MHz
 FREQUENCY TUNE 550 MHz
 OUTPUT LEVEL..... -10 dBm
 RF ON/OFF ON

RF Divider Circuits

The quickest way to isolate a divider/filter problem is to use the front panel controls to set various frequencies and frequency ranges while monitoring the output voltage meter. Usually a problem will appear as shown in the following table.

RF Filters (A10A1)
← SERVICE SHEET 10

SERVICE SHEET 11 (Cont'd)

Symptom	Probable Cause
No output on one band only	Defective output circuit for one of the dividers, a filter, or a slide switch
No output on one band and all bands below that band	Defective divider or 16 - 32 MHz low band filter or 0.5 to 8 MHz divider output transformer
Low power at highest end of bands (8 to 1024 MHz) only	Defective geometric mean switching (high band filters not being switched in)
Overly high harmonics at lowest end of bands (8 to 1024 MHz) only	Defective geometric mean switching (low band filters not being switched in)
Intermittent power	Poor contact on slide switch
Changing bands does not change output frequency even though the counter may indicate a change	Loose coupler between RANGE switch and Divider/Filter switch assembly

The filters, slide-switches, and the relays driven by the Schmitt Trigger circuits are shown and discussed on Service Sheet 10.

NOTE

Check that the control inputs to the RF gates are correct before suspecting the gates themselves.

RF Divider Troubleshooting

Component or Circuit	Test Conditions and Control Settings	Normal Indication	If Indication is Abnormal
SCHMITT TRIGGER (A10A2)	Initial conditions and settings	≈ +10V at TP1 (VT)	Check slide-switches (Service Sheet 10) and VT pot (Service Sheet 5)
		≈ -3V at TP2	Check U1 and associated circuitry
		≈- 0V at TP3	Check U6 and associated circuitry
		≈- +5V at TP4	Check U6, Q1 and associated circuitry
	Set FREQUENCY TUNE to 230 MHz	≈ 0V at TP1 (VT)	Check V_T pot (Service Sheet 5)
		≈ +5V at TP2	Check U1 and associated circuitry
		≈ +5V at TP3	Check U6 and associated circuitry
		≈ 0V at TP4	Check U6, Q1 and associated circuitry
RF DIVIDERS (A10A2)	Initial conditions and settings then set RANGE to each position	-10 dBm on panel meter	Check appropriate divider and associated circuitry. Check that following divider is off

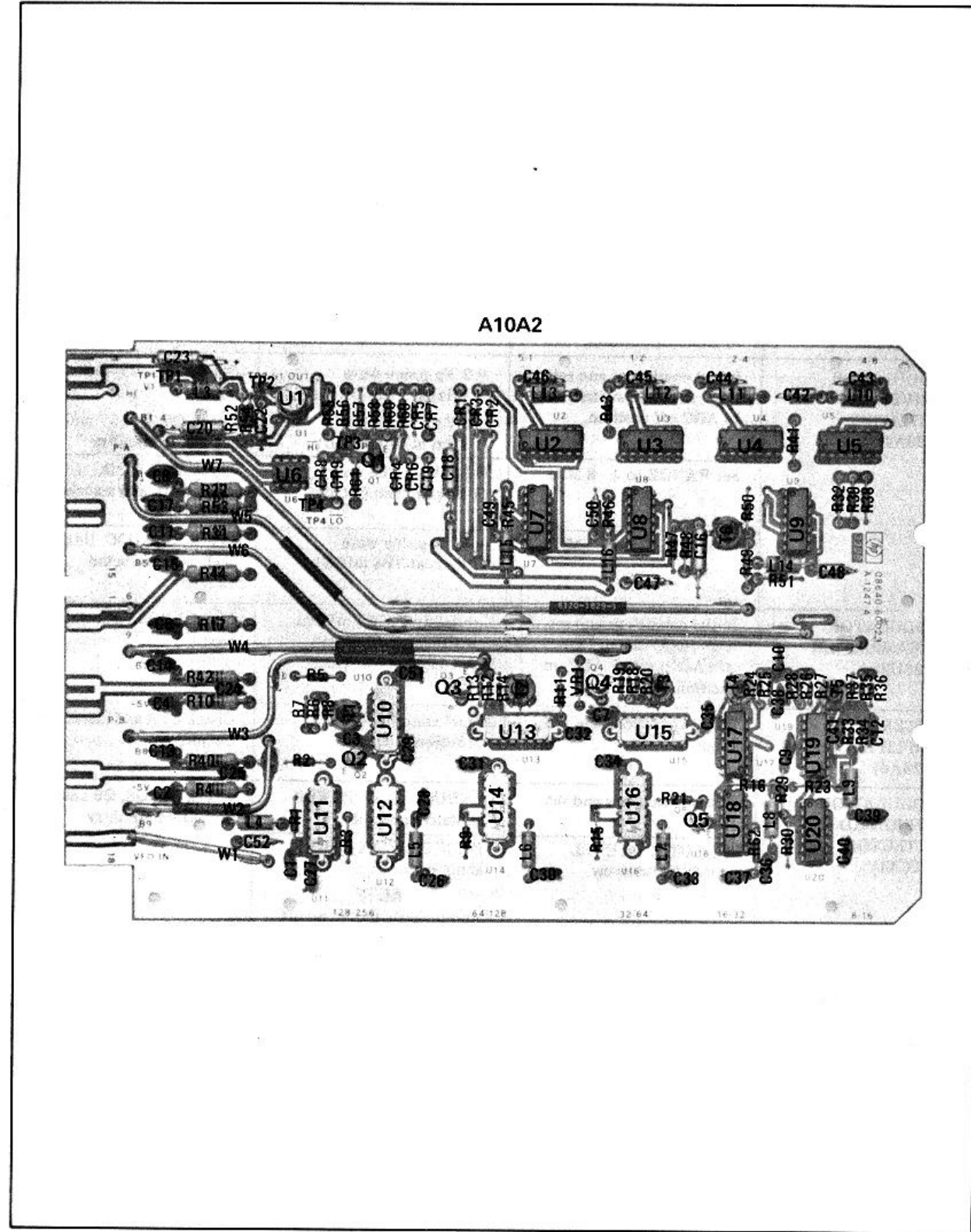


Figure 8-38. A10A2 RF Divider Assembly Component Locations.

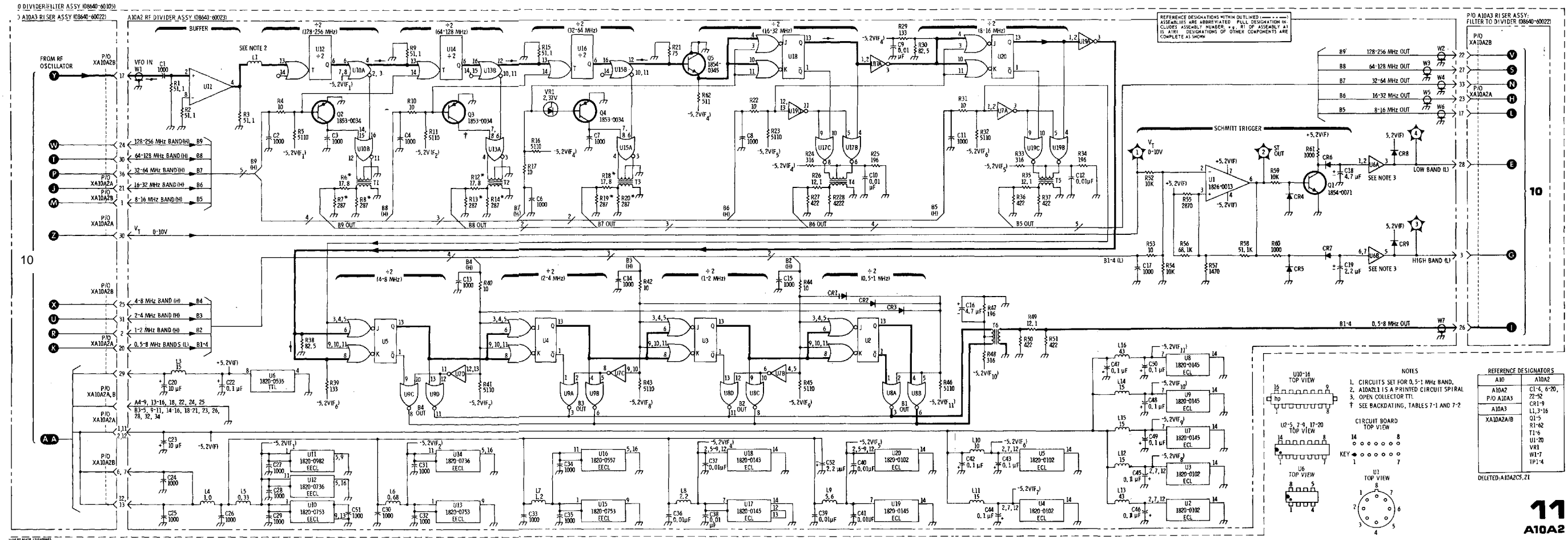


Figure 8-39. RF Dividers Schematic Diagram.

PRINCIPLES OF OPERATION

General

The A26A3 Modulator Assembly contains a current controlled attenuator which varies the RF output level. The A26A4 AGC Amplifier controls the drive to the modulator. Attenuation is determined by the OUTPUT LEVEL vernier and by the AM input signal when the AM switch is on or by the pulse input signals when AM is set to PULSE.

Modulator (A26A3)

The RF signal from the binary dividers is amplified by Modulator Preamplifier A26U2. The amplifier is a sealed microcircuit that plugs into the rear of the modulator board. The amplifier drive: the AUX RF OUT port through resistor R1 and drives the modulator diodes. Diodes CR1 through CR8 form a balanced resistive network in which the resistance is controlled by the current biasing them. Capacitors C3 through C6 improve the modulator balance at high frequencies. The control current come, from the AGC output amplifier through choke L2 and then split, between R4, CR1 to CR4, and R3 or R5, CR5 to CR8, and R2. The RF signal is coupled into the modulator through T1 and out through T2. The modulator output drives the RF filters (Service Sheet 10).

AGC Amplifier (A26A4)

The AGC Amplifier sums the negative detector output from the A26A1 Detector Buffer Amplifier (Service Sheet 13) with the positive AGC reference voltage from the OUTPUT LEVEL vernier A1R1 (Service Sheet 16). The input to the vernier is a 2 Vdc reference voltage upon which may be superimposed an AM input signal (± 2 Vpk for 100% AM). When AM is set to PULSE, the amplifier's output (and therefore, the modulator) is switched on and off by the input pulses.

Summing Amplifier

Transistors Q1, Q2, and Q3 form a Summing Amplifier. The output of Q3 is the amplified sum of the detector and reference currents and represents the output level error. Resistor R1 is adjusted to give the correct RF output voltage corresponding to the AGC reference. When the internal frequency doubler is used (512 to 1024 MHz RANGE in Option 002 only), relay K1 switches summing resistors R2 and R5 into the summing line to adjust for the doubler amplitude characteristic. Switch S1 allows the AGC circuits to be tested in an open-loop condition.

Modulator Driver Amplifier

Transistors Q4, Q5, and Q6 form the Modulator Driver Amplifier. R32 and C9 frequency-compensate the AGC system. Capacitor C10 is switched in parallel with C9 in the 0.5-1 and 1-2 MHz ranges (called LO BAND 1) to give added compensation. The LO BAND 1 line is grounded in LO BAND 1 ranges and causes inverter U3B to go high and inverter U4F (an open collector output gate) to go low which switches in C10. In a similar manner capacitor C11 is switched in parallel with C9 in the 2 4 and 4 8 MHz ranges (called LO BAND 2). Transistor Q5 is a current source. Transistor Q6 is a constant current sink. The difference between the collector currents of Q5 and Q6 is the modulator drive current.

In the pulse modulation mode of operation, Q5 is switched on and off at the pulse repetition rate by transistor switch Q7 which is driven by the pulse Schmitt Trigger output of A26A2 (Service Sheet 13). When Q7 is on, Q5 and the modulator are off, (i.e., when either the MOD PULSE line is low or when the RF OFF line is low). Hot carrier diodes CR13 and CR14 prevent saturation of Q7 and Q6 for rapid switching. Capacitor C15 is switched in across the modulator drive line by gates U3C and U4E to lower the rise and fall time of the modulator in LO BAND 1 ranges to reduce RF ringing in the filters following the modulator. Similarly, capacitor C16 is switched in for LO BAND 2 ranges.

Pulse Overload Detector

In the pulse modulation mode, the peak detector in A26U1 (Service Sheet 13) samples the RF output only when an input pulse is present; when no pulse is present, the detector output is stored on a capacitor. If the OUTPUT LEVEL vernier is reduced while in the pulse mode, the error voltage of the summing amplifier becomes very large and the modulator is turned off. The detector storage capacitor then discharges only during each pulse on period until the error is zero. At low repetition rates and short on-periods, the capacitor discharge time is very long. To correct for this, Pulse Overload Detector U1B senses the condition of large error (i.e., when the collector voltage of Q3 exceeds +0.4 Vdc) and switches a discharge resistor on to bring the system to a near zero error condition.

Meter Amplifier

Amplifier U1A is an inverting amplifier with a gain of about 1/2 (adjusted by R12) which scales the detector output voltage to drive the metering circuits. Capacitor C8 filters any superimposed modulation signal on the detector output.

Modulator Overload Detector

If the OUTPUT LEVEL vernier setting or input modulation signal requires the output to exceed its maximum capability, Modulator Overload Detector U2 senses the condition and lights the REDUCE PEAK POWER annunciator A6DS3 (Service Sheet 16). The reference voltage is set by resistors R29, R30, and R31 and in addition by R28 when the frequency doubler is used. When the output from the OUTPUT LEVEL vernier exceeds the reference, the output of U2 goes high and Q8 turns on which turns on Q9 and the annunciator. Since the overload condition may be of short duration, capacitor C13 holds the output of U2 high to keep the annunciator lit for a longer period.

TROUBLESHOOTING

It is assumed that a problem has been isolated to the AGC amplifier or the modulator as a result of using the troubleshooting block diagrams. Troubleshoot by using the test equipment listed below, performing the initial test conditions and control settings, and following the procedures outlined in the table.

Test Equipment

Digital Voltmeter:..... HP 3480B/3484A
Oscilloscope.....HP 180A/1801A/1820C

Initial Test Conditions

To test A26A4 AGC Amplifier Assembly, remove top cover (see Service Sheet F for removal procedure), remove A26 AM/AGC and RF Amplifier Assembly casting top cover, and remove A26A4 and extend for service (see Service Sheet E for procedure).

To test A26A3 Modulator Assembly and A26U2 Modulator Preamplifier, remove bottom cover (see Service Sheet F for removal procedure) and remove A26 casting bottom cover (see Service Sheet E for procedure).

Initial Control Settings

Meter Function LEVEL
COUNTER MODE: EXPAND..... Off
LOCK Off
Source..... INT
AM..... INT
MODULATION 100%
MODULATION FREQUENCY..... 1000 Hz

RF Dividers (A10A2)
←SERVICE SHEET 11

SERVICE SHEET 12 (Cont'd)

FM OFF
RANGE 8 - 16 MHz

FREQUENCY TUNE 7.20 MHz
OUTPUT LEVEL +10 Dbm
(switch one step ccw from full cw)
OUTPUT LEVEL Vernier..... cw (+10 dBm)
RF ON/OFF ON

AGC Amplifiers and Amplitude Modulator Troubleshooting

Component or Circuit	Test Conditions and Control Settings	Normal Indication	If Indication is Abnormal
SUMMING AMPLIFIER (A26A4)	Initial conditions and settings. Set AGC switch, S1, to AGC off position.	≈ 800 mVp-p sine wave (1 kHz) at TP6 (CQ1)	Check Q1, Q2, Q3 and associated circuitry
MODULATOR DRIVER AMPLIFIER (A26A4)	Initial conditions and settings. Set AGC switch, S1, to AGC off position.	≈ 2 Vp-p sine wave (1 kHz) at TP7 (DRVR) ≈ 8 Vp-p sine wave (1 kHz) at TP8 (MOD)	Check Q4 and associated circuitry Check Q5, Q6, Q7 and associated circuitry
	Set RANGE to 4 - 8 MHz	≈ 7.2 Vp-p sine wave (1 kHz) at TP8 (MOD)	Check U3A, U3D, U4B, U4D, and associated circuitry
	Set RANGE to 1 - 2 MHz	≈ 6 Vp-p sine wave (1 kHz) at TP8 (MOD)	Check U3B, U3C, U4E, U4F and associated circuitry
MODULATOR PREAMPLIFIER (A26U2)	Initial conditions and settings (AGC switch, A26A4S1, set to AGC on position)	> -5 dBm (>125 mVrms into 50Ω) at AUX RF OUT jack on rear panel	Check U2 and associated circuitry
METER AMPLIFIER (A26A4)	Initial conditions and settings	Panel meter indicates +10 dBm (707 mV)	Check U1A and associated circuitry
MODULATION OVERLOAD DETECTOR (A26A4)	Initial conditions and settings Set OUTPUT LEVEL switch one step cw	REDUCE PEAK POWER annunciator unlit REDUCE PEAK POWER annunciator lit NOTE Annunciator should be off at +19 dBm RF output and on at +20 dBm output	Check U2, Q8, Q9 and associated circuitry
PULSE OVERLOAD DETECTOR (A26A4)	Initial conditions and settings except set AM to OFF	≈ +9V at TP3 (OVLD)	Check U1B and associated circuitry
	Short TP5 (GND) to TP4 (VERN)	0 Vdc at TP3 (OVLD)	

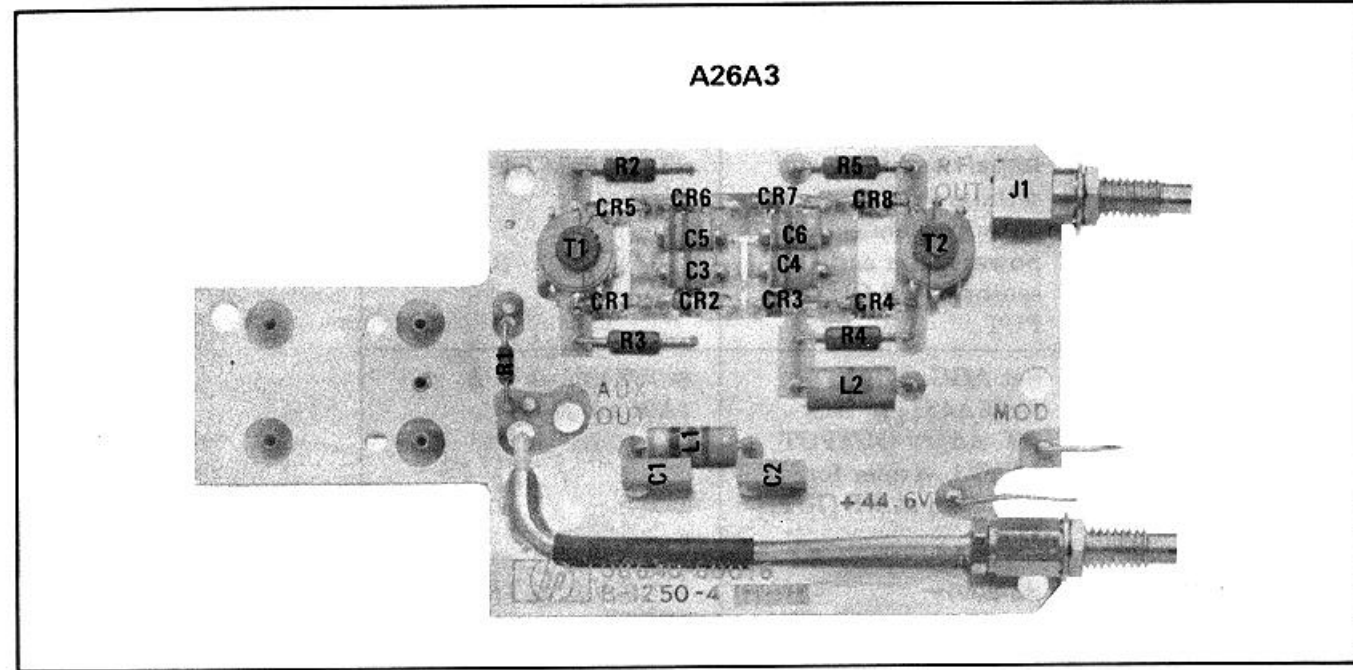


Figure 8-40. A26A3 Modulator Assembly Component Locations.

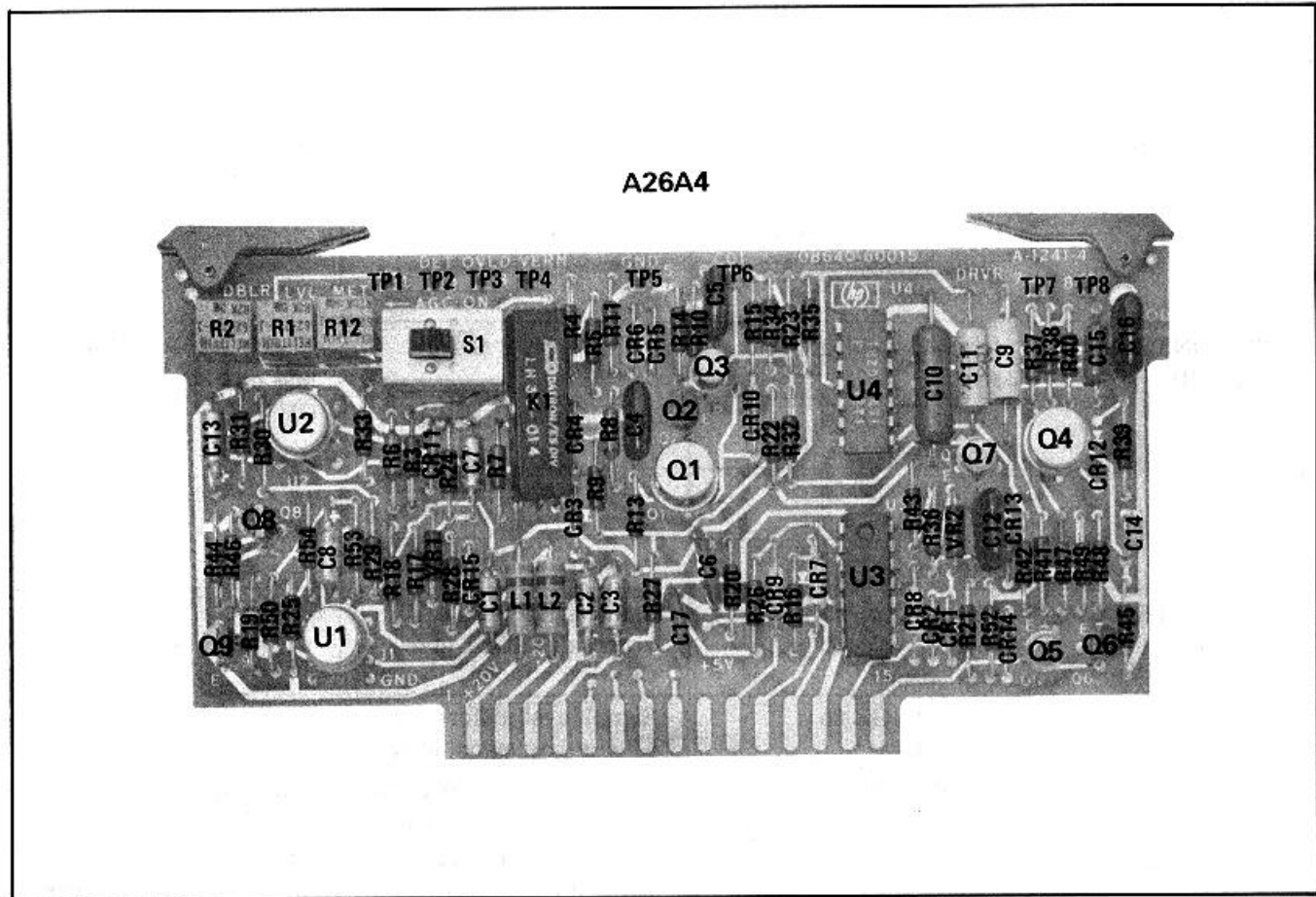


Figure 8-41. A26A4 AGC Amplifier Assembly Component Locations.

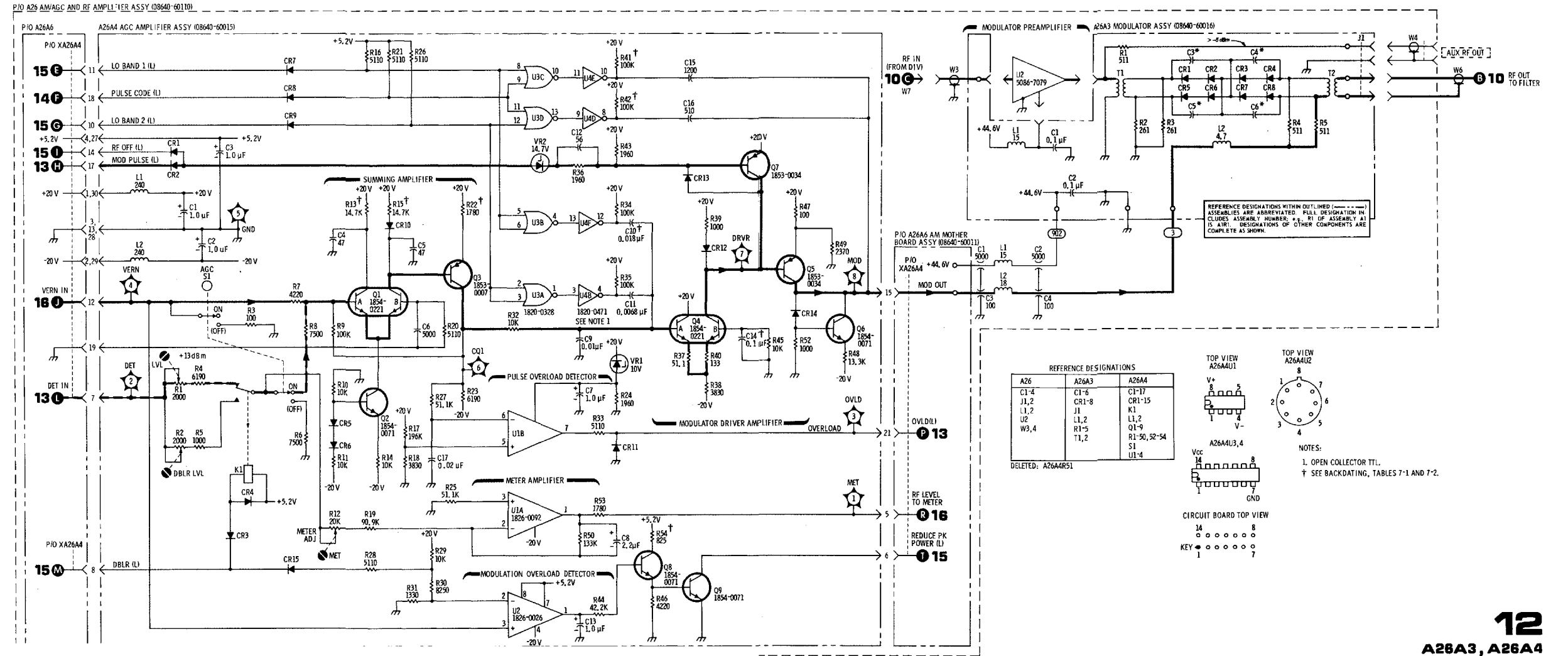


Figure 8-42. AGC Amplifiers and Amplitude Modulator Schematic Diagram.

SERVICE SHEET 13

PRINCIPLES OF OPERATION

General

The RF signal from the RF Filters is amplified by RF Output Amplifier A26U1. The amplifier is a sealed microcircuit that plugs into the rear of the AGC detector board. The amplifier drives resistor U1R1 which sets the amplifier output impedance. The output is ac coupled through U1C2 and drives the Output Attenuator. The step attenuator consists of resistive attenuator sections which are switched in and out by cam driven microswitches. The attenuator steps are 10 dB with an impedance of 50Ω. Capacitor A1A2C1 ac couples the RF output to the RF OUTPUT jack J1.

AGC Detector (A26A1)

The AGC detector (A26U1CR1) detects the negative peaks of the RF signal from the Output Amplifier. The detector output is summed with the positive AGC reference voltage in the Summing Amplifier (Service Sheet 12). Detector diode A26U1CR1 conducts whenever the RF amplifier output is one diode junction voltage drop below the voltage across U1C3. The capacitor is then negatively charged until the amplifier voltage rises, at which time CR1 shuts off. U1C3 then slowly discharges through resistor R3 and transistor Q1 until another negative peak recharges it. Transistor Q1 is normally on except in the pulse modulation mode. In the pulse modulation mode, transistor Q1 turns off between pulses, which prevents A26U1C5 from discharging. (If A26U1C5 were to discharge between pulse bursts, the Modulator would be driven for maximum output when the next pulse arrived.)

Bandwidth Control (A26A1 and A26A2)

In the 2-4 and 4-8 MHz (or LO BAND 2) frequency ranges, capacitor A26A1C7 is switched in parallel with A26U1C3 by A26A1Q2. This reduces the amount of capacitor discharge between RF voltage peaks on the lower frequency bands and limits the AM bandwidth. Also capacitor A26A1C6 is switched in for the 0.5 -1 and -12 MHz (or LO BAND 1) ranges by A26A1Q3.

In the pulse modulation mode, capacitor A26A1C5 is switched in by A26A1Q4. Switching of A26A1Q2, Q3, and Q4 is multiplexed onto one line by transistors A26A2Q8 and Q9. Q8 is a switchable current source. In LOW BAND 1, Q8 generates just enough current to turn on the collector-base junction of Q2. In LOW BAND 2, the current increases enough to turn on both Q2 and Q3 (because the voltage drop across A26A1R6 is enough to turn on Zener diode A26A1VR2). When the PULSE CODE line is low, A26A2Q9 is on which turns on A26A1Q2, Q3, and Q4.

SERVICE SHEET 13 (Cont'd)

Detector Buffer Amplifier (A26A1)

Transistor Q5 and FET Q6 form a high impedance, unity gain buffer amplifier. Diode CR3 and resistor R11 add a dc offset which compensates for the junction voltage drop of the detector diode.

Schmitt Trigger (A26A2)

A Schmitt Trigger formed by U1 and U2A converts the pulse input voltage into 0 to 5V pulses. Resistors R20 and R21 set the trigger reference at about 0.5 Vdc. When the input to U1 is above the reference, the output of U2A is low. When the input goes below the reference, the output of U2A goes high (+5V).

Resistor R23 adds a small amount of hysteresis to the reference voltage. In the normal pulse modulation mode, NAND gate U2C inverts the trigger output and switches transistor A26A1Q1 on when the input pulse is high, or off when the input pulse is low. Thus the charge on capacitor A26A1C5 is stored between pulses, but is shunted by A26A1R3 when an input pulse is present. Similarly, NAND gate U2D inverts the trigger output and switches the Modulator Driver Amplifier A26A4 (Service Sheet 12).

Rate Detector (A26A2)

Flip-flops U3A and U3B form a rate detector to turn off the RF level drive to the meter circuits whenever the pulse repetition rate falls below 20 Hz. Below 20 Hz rates, the output leveling system cannot accurately control the output amplitude. The flip-flops are arranged as retriggerable monostable (one-shot) multivibrators with timing elements R25 and C10, and R28 and C11. A low-going output from U2A triggers U3A and the Q output of U3A goes low for 50 ms. If the repetition rate of the incoming pulses is higher than 20 Hz, U3A retriggers and the Q output remains low. In the absence of pulses from the Q output of U3A, the Q output of U3B is low, transistor Q7 is off and the meter operates normally. For pulse repetition rates less than 20 Hz, U3B is periodically triggered by the Q output of U3A. The Q output of U3B goes high for 100 ms (or longer if U3B is retriggered by U3A) and turns on Q7 which disables the meter drive amplifier output, and the meter reads zero. Thus the meter is turned off for low rate pulses. When not in the pulse modulation mode, the output of inverter U2B is low; the output of U2C is high and A26A1Q1 is held on; the output of U2D is high and the modulator is held in its normal on mode; and Q7 is held off.

TROUBLESHOOTING

It is assumed that a problem has been isolated to the power amplifier and AGC detector or to the AM offset and pulse switching circuits as a result of using the troubleshooting block diagrams. Troubleshoot by using the test equipment listed below, performing the initial test conditions and control

SERVICE SHEET 13 (Cont'd)

settings, and following the procedures outlined in the table.

Test Equipment

Digital Voltmeter HP 3480B/3484A
Oscilloscope HP 180A/1801A/1820C
Pulse Generator..... HP 8003A
Power Meter HP 435A
Power Sensor HP 8481A

Initial Test Conditions

To test A26A2 AM Offset and Pulse Switching Assembly, remove top cover (see Service Sheet F for removal procedure), remove A26 AM/AGC and RF Amplifier Assembly casting top cover, and remove A26A2 and extend for service (see Service Sheet E for procedure).

To test A26U1 Output Amplifier and A26A1 AGC Detector Assembly, also remove bottom cover (see Service Sheet F for removal procedure) and remove A26 casting bottom cover (see Service Sheet E for procedure).

Connect the pulse generator to AM INPUT. Set the pulse generator for a repetition rate of 20 Hz, a pulse width of 25 ms, and an amplitude of 1V.

Initial Control Settings

Meter Function..... LEVEL
COUNTER MODE: EXPAND Off
 LOCK Off
 Source..... INT
AM..... OFF
MODULATION..... Full cw
MODULATION FREQUENCY..... 1 kHz
FM..... OFF
RANGE..... 8-16 MHz
FREQUENCY TUNE..... 7.20 MHz
OUTPUT LEVEL..... +19 dBm
RF ON/OFF ON

NOTE

If pulse burst amplitude is too high for low duty-cycle pulses, check all components connected between A26U1CR1 and A26A1Q6 (G1) for dc current leakage.

RF Amplifier Pulse Switching and Step Attenuator Troubleshooting

Component or Circuit	Test Conditions and Control Settings	Normal Indication	If Indication is Abnormal
OUTPUT AMPLIFIER (A26U1)	Initial conditions and settings (+19 dBm output). Connect power meter and sensor to RF OUTPUT.	+19 dBm at RF OUTPUT	Check A26U1 and associated circuitry
	Set AGC switch (A26A4S1) to AGC off. Adjust OUTPUT LEVEL vernier for +13 dBm at RF OUTPUT.	≈ —2 Vdc at TPA (A26A1Q6-G1)	
DETECTOR BUFFER AMPLIFIER (A26A1)	As above	≈ —2 Vdc at TP1 (DET)	Check Q5, Q6, and associated circuitry
SCHMITT TRIGGER (A26A2)	Initial conditions and settings except set AM to PULSE and AGC switch, A26A4S1 to AGC on position.	≈ 5V pulse at TP6 (MOD PUL) and 4V pulse at TP5 (DET PUL)	Check A26A2U1, U2 and associated circuitry
RATE DETECTOR (A26A2)	Initial conditions and settings except set AM to PULSE	Panel meter reads normal (+19 dBm)	Check A26A2U3, Q7 and associated circuitry
	Set pulse generator pulse repetition rate to 15 Hz	Panel meter reads approximately zero	
BW CONTROL (A26A2)	Initial conditions and settings	<+1V at TP8 (BW)	Check A26A2Q8, Q9 and associated circuitry
	Set RANGE to 4 - 8 MHz	≈ +5V at TP8 (BW)	
	Set RANGE to 1- 2 MHz	≈ +12V at TP8 (BW)	
	Set AM to PULSE	≈ +19V at TP8 (BW)	
BW CONTROL (A26A1)	Initial conditions and settings except set AM to INT	Same signal level on both sides of C7 and C6	_____
	Set RANGE to 4 - 8 MHz	Signal level differs across C7 (i.e., no signal at Q2-e)	Check Q2, C7, and associated circuitry
	Set RANGE to 1 - 2 MHz	Signal level differs across C6 (i.e., no signal at Q3-e)	Check Q3, C6, and associated circuitry
	Set AM to PULSE	Signal level differs across R3 and C5 (i.e., no signal at Q4-e)	Check Q1, Q4, R3, C5 and associated circuitry

**A
G
C
A
m
p
l
i
f
i
e
r
s
a
n
d**

SERVICE SHEET 14

PRINCIPLES OF OPERATION

AM Offset (A26A2)

The AM Offset Amplifier establishes the AGC reference for the output leveling system and superimposes on it the AM modulation signal. The modulation signal is coupled into the amplifier through slide switch A13S2C and MODULATION potentiometer R2. The amplifier input stage is the differential transistor pair Q1A and Q1B. Transistor Q2 is a constant current source for the emitters of Q1. Transistors Q3 and Q4 form a second differential amplifier stage. Transistor Q5 is a common emitter output stage. Resistors R16, R19, and R8 form a resistive feedback divider. The ac voltage gain (-+2) is adjusted by R19. Transistor Q6 is a constant current source. The collector current of Q6 causes a 2V drop across R16 which offsets the amplifier output by +2 Vdc and establishes the AGC reference. Capacitors C5, C6, and C7 frequency compensate the amplifier. The amplifier output drives OUTPUT LEVEL vernier A1R1 (Service Sheet 16).

TROUBLESHOOTING

It is assumed that a problem has been isolated to the AM preamplifier as a result of using the troubleshooting block diagrams. Troubleshoot by using the test equipment listed below, performing the initial test conditions and control settings, and following the procedures outlined in the table.

Test Equipment

Digital Voltmeter HP 3480B/3484A
 OscilloscopeHP 180A/1801A/1820C

Initial Test Conditions

Top cover removed (see Service Sheet F for removal procedure), A26 AM/AGC and RF Amplifier Assembly casting top cover removed, and A26A2 AM Offset and Pulse Switching Assembly extended for service (see Service Sheet E for procedures).

Initial Control Settings

Meter Function AM
 AM..... INT
 MODULATION 100%
 MODULATION FREQUENCY..... 1000 Hz

AM Preamplifier Troubleshooting

Component or Circuit	Test Conditions and Control Settings	Normal Indication	If Indication is Abnormal
AM PREAMPLIFIER (A26A2)	Initial conditions and settings	≈ 2 Vp-p at TP1 (AM IN)	Check input switching
		≈ 4 Vp-p and +2 Vdc at TP3 (AM OUT)	Check Q1-Q6 and associated circuitry

RF Amplifier, Pulse Switching, and Step Attenuator
 (A1, A26A1, A26A2)
 ← SERVICE SHEET 13

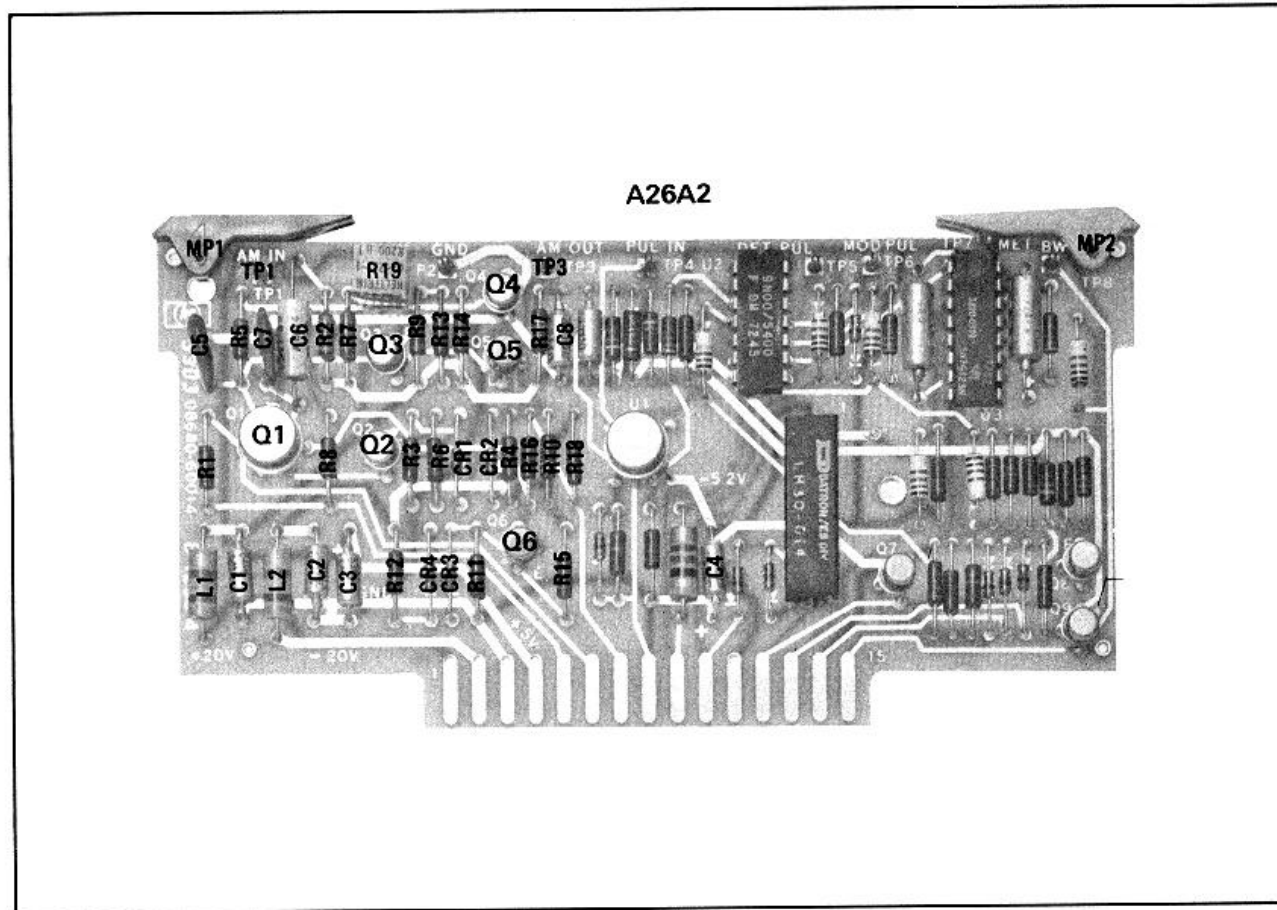
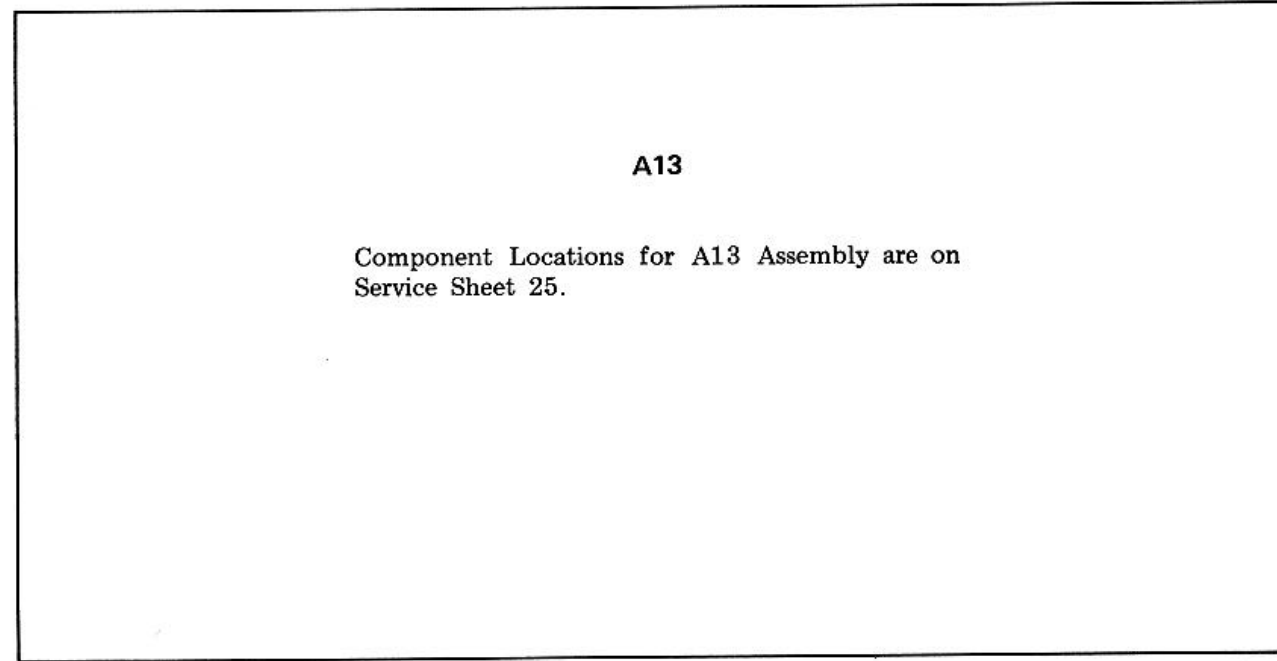
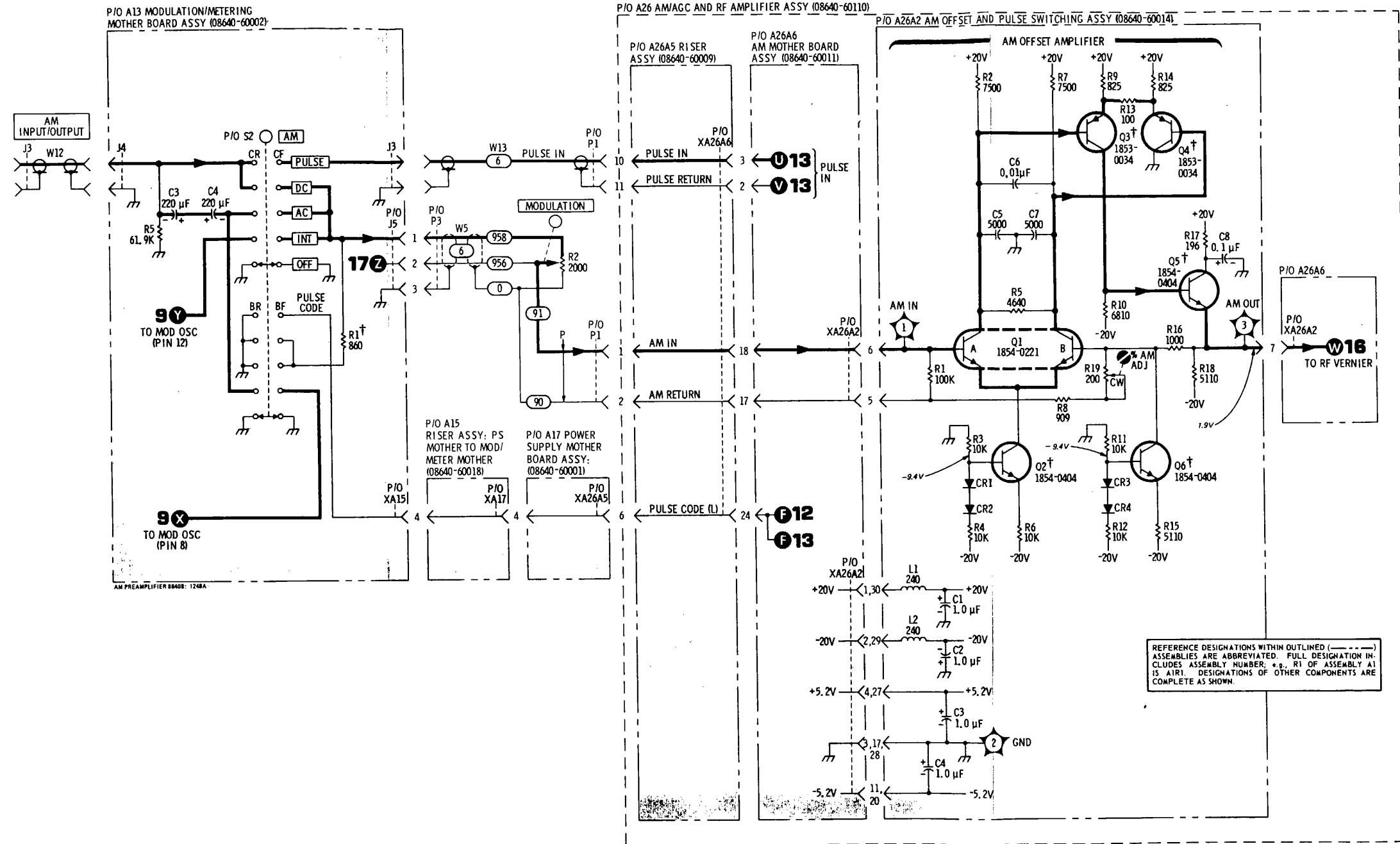


Figure 8-46. P/O A26A2 AM Offset and Pulse Switching Assembly Component Locations.



Component Locations for A13 Assembly are on Service Sheet 25.



REFERENCE DESIGNATIONS

A26A2	A13
C1-8	P/O S2
CR1-4	R1, 5
L1, 2	C3, 4
R1-19	NO PREFIX
Q1-6	R2
	W5, 12, 13
	J3

NOTES:
 † SEE BACKDATING, TABLES 7-1 AND 7-2.

REFERENCE DESIGNATIONS WITHIN OUTLINED (---) ASSEMBLIES ARE ABBREVIATED. FULL DESIGNATION INCLUDES ASSEMBLY NUMBER; e.g., R1 OF ASSEMBLY A1 IS A1R1. DESIGNATIONS OF OTHER COMPONENTS ARE COMPLETE AS SHOWN.

Figure 8-47. AM Preamp Schematic Diagram.

SERVICE SHEET 15

PRINCIPLES OF OPERATION

RF On/Off Switch

RF ON/OFF switch S2 normally turns off both the RF Oscillator (by interrupting the +20V supply to it) and the amplitude modulator (by switching off the modulator drive current). If it is desired to leave the oscillator running when RF is OFF (e.g., to keep the AUX RF OUT on and the counter operating or the phase locked, or to minimize turn-on drift), the RF ON/OFF function may be easily modified. See Service Sheet 5 for modification instructions. Some RF, however, will then be present at the output when RF is OFF.

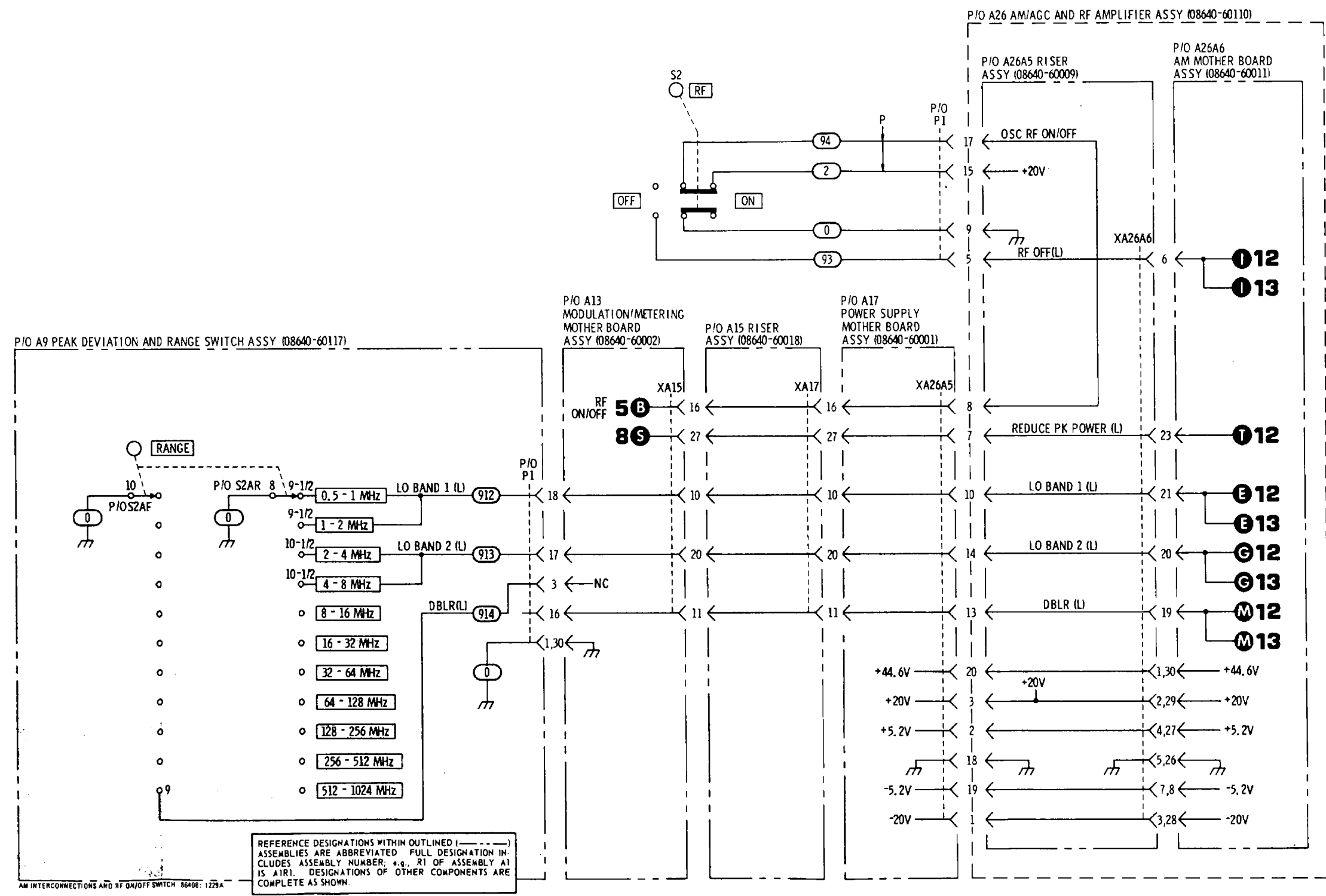
TROUBLESHOOTING

Troubleshoot by checking switches and connectors for proper contact.

AM Preampifier (A24, A36A2)
← SERVICE SHEET 14

A9

Component Locations for A9 Assembly are on
Service Sheets 6 and 8.



REFERENCE DESIGNATIONS

NO PREFIX	A9
S2	P/O S2 AF
P1	P/O S2AR P/O P1

REFERENCE DESIGNATIONS WITHIN OUTLINED (---) ASSEMBLIES ARE ABBREVIATED. FULL DESIGNATION INCLUDES ASSEMBLY NUMBER; e.g., R1 OF ASSEMBLY A1 IS A1R1. DESIGNATIONS OF OTHER COMPONENTS ARE COMPLETE AS SHOWN.

Figure 8-48. AM Interconnections and RF ON/OFF Switch Schematic Diagram

SERVICE SHEET 16**PRINCIPLES OF OPERATION****Vernier Attenuator (A1)**

OUTPUT LEVEL vernier R1 attenuates the AGC reference voltage and the superimposed AM modulation signal and drives the AGC Amplifier. The potentiometer has a precision 18 dB log taper. Resistor A1A1R1 limits the low resistance end of the potentiometer. Resistor A1A1R2 is switched into the AGC amplifier input line by S1AR in all but the highest OUTPUT LEVEL range. With R2 switched out, the AGC reference is effectively increased by 10 dB (a factor of 3.16) and the RF output is increased by 10 dB.

Meter Attenuator and Odd Range Code (A1)

The output of Meter Amplifier A26A4U1A (Service Sheet 12) is the RF LEVEL meter voltage. Resistor A1A1R3 attenuates the amplifier output by 1/3.5 in the highest or 16th OUTPUT LEVEL range. Resistor A1A1R4 attenuates the output by 1/1.1 on ranges 8 to 15. Resistors A1A1R5 and R6 adjust the meter output attenuation to compensate the meter for cumulative errors in the output attenuator on the high attenuation ranges. Switching is done on S1B. Switch S1AF gives a closure to ground on all odd numbered ranges for use by the lamp logic circuits on A4 (Service Sheet 17).

TROUBLESHOOTING

Troubleshoot by checking switches, connector, and resistors for proper contact and resistance.

← **AM Interconnections and RF ON/OFF Switch (A9,A26)**
SERVICE SHEET 15

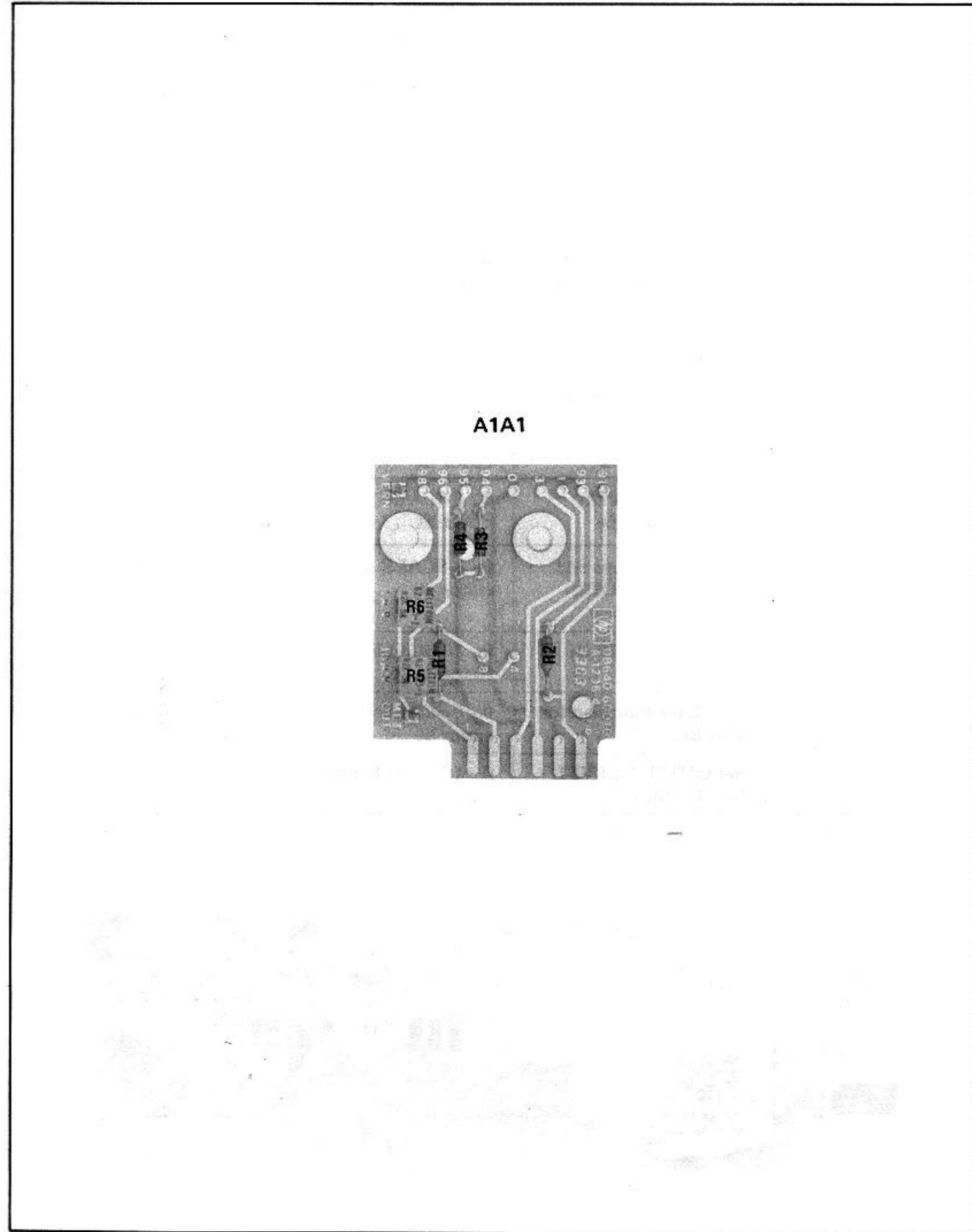


Figure 8-49. A1A1 RF Vernier Assembly Component Locations

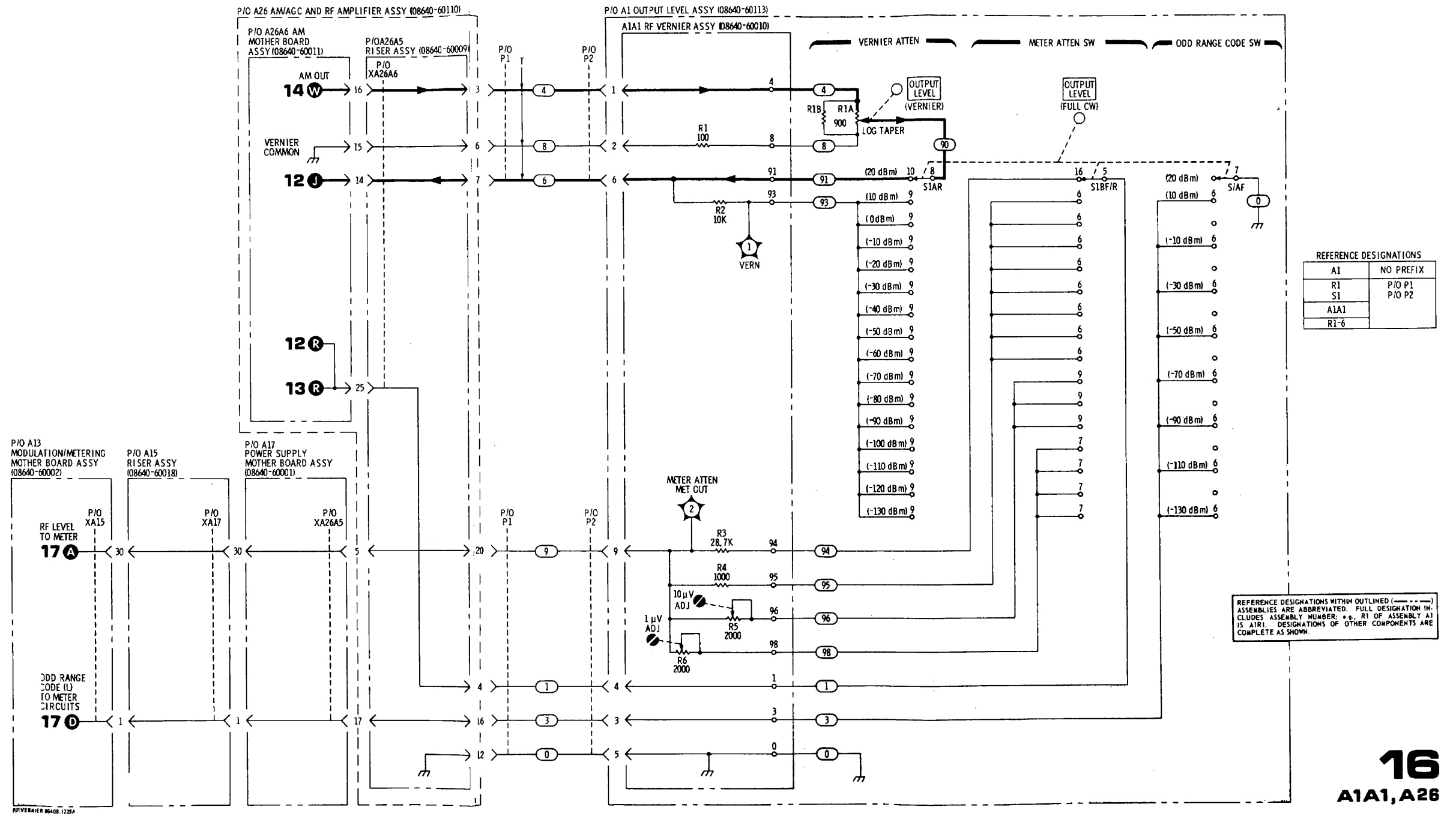


Figure 8-50. RF Vernier Schematic Diagram

Model 8640B
SERVICE SHEET 17
PRINCIPLES OF OPERATION

General
 Front panel meter M1 indicates one of three quantities selected by Meter Function switch A2S1. For each function, the metering circuitry performs the following:

- 1) AM percent modulation (X10%): The ac component of the modulation signal from MODULATION potentiometer R2 is peak detected and amplified. One range of autoranging is provided at 30% maximum. Logic circuitry selects the appropriate amplifier gain and meter scale lamp.
- 2) FM peak deviation (kHz or MHz): The ac component of the modulation signal from the Meter Attenuator section of PEAK DEVIATION switch is peak detected and amplified. No autoranging is provided. The scale lamp is selected by the PEAK DEVIATION switch.
- 3) LEVEL, the RF output level (VOLTS or dBm): A positive dc voltage proportional to the AGC voltage of the A26A4 AGC Amplifier Assembly is amplified. One range of autoranging is provided at 30% maximum. Logic circuitry selects the appropriate amplifier gain and meter scale lamp.

The meter has three linear scales (0 - 5, 0 - 10, and 0 - 3 or actually 0 - 3.16) with three lamps to indicate the appropriate scale. The lamps are located on the A6 Annunciator Assembly. The meter also has a log scale calibrated in dBm 50SI for use in the LEVEL meter mode.

Positive Peak Detector (A2)

The Positive Peak Detector samples the ac peak of the incoming signal and stores the voltage on capacitor C5. The AM or FM input signals are ac coupled into Buffer Amplifier U1 by capacitor C1 and resistor R4. U1 is internally connected as a voltage follower. Resistor R3 provides input bias current for U1 and presents a constant load impedance to the inputs.

Amplifier U2 is a voltage comparator. When the input voltage at pin 4 exceeds the voltage at pin 3, the output rapidly switches to a level equal to the voltage across C5 (which is also connected to pin 3) plus the voltage drop across the forward-biased diode CR1. The amplifier charges C5 until the voltage at pin 4 equals the voltage at pin 3, and maintains this condition until the voltage at pin 4 drops. The amplifier output then swings to a maximum negative value (about -8V), CR1 reverse biases, and C5 slowly discharges until the voltage at pin 4 again exceeds that at pin 3. Thus the positive peak value of the input voltage is stored on C5. Resistors R7 and R10 discharge C5 whenever the input signal level is reduced slightly between input peaks. Resistor R11 adds a small amount of gain to the detector.

Meter Drive Amplifier (A4)

Meter Drive Amplifier U1 scales the dc input voltage and drives meter M1. Transistor Q1 is a switch which operates in the inverted mode (i.e., the emitter functions as a collector and the collector as an emitter). When Q1 is OFF, the amplifier gain is 10, when Q1 is ON, the gain is 31.6. With an amplifier gain of 10 and an input of 977 mVdc, the meter (which has a nominal 1 mA full-scale movement) is adjusted to read full scale (on the 0 - 10 scale) by means of R19. Breakdown diode VR2 protects the meter from being overdriven or driven negative.

A 1 Vpk signal at the peak detector gives 1 Vdc at the input of Meter Drive Amplifier A4U1. In the AM meter mode, a 1 Vpk input signal corresponds to a full-scale meter deflection. Similarly, in the LEVEL mode a 1 Vdc input voltage corresponds to a full-scale deflection. However, in the FM mode a 1 Vpk signal from the PEAK DEVIATION switch on some ranges requires slightly more than a full scale deflection (e.g., 320 kHz on the 3.16 scale). A 0.977 Vdc input to the Meter Drive Amplifier gives a full-scale meter deflection.

Autorange Comparator (A4)

Amplifier U2 functions as a Schmitt Trigger. A reference voltage is established at pin 3 by voltage divider R3 and R4. Resistor R5 adds a small amount of hysteresis to the comparator. Ripple at the input pin 2 is reduced by R7 and C2.

SERVICE SHEET 17 (Cont'd)

Logic Circuitry (A4)

The logic gates control the meter amplifier gain and scale lamps (except for FM) as outlined in Table 8-5. Whenever OUTPUT LEVEL switch A1S1AF is in an odd range, the ODD RANGE CODE line is grounded. The ranges on the switch are numbered consecutively from 1 to 16. The highest output range is 16 which corresponds to a maximum output level of 3.16V. For range 15 the maximum output level is 1V; for range 14, 0.316V; etc. When the LEVEL mode is selected, the 0 - 10 scale lamp is turned on by Q2 when the range is odd and the input above the autorange reference; or the 0 - 3 scale lamp is turned on by Q3 when the input is below the autorange reference. When the range is even, the lamp sequence is reversed; the reversal is accomplished by Exclusive-OR Invert function formed by gates U3A, U3B, U3C, and U4B.

In the AM meter mode the logic conditions are the same as for the LEVEL mode on an odd range. In both the AM and LEVEL modes the Autorange Comparator and AND gate U4A turn on Q1 when the input to the Meter Drive Amplifier is below the autorange reference and turn off Q1 when above it.

Table 8-5. Meter Drive Amplifier Data

Meter Mode	Odd/Even Range	Test Point 6	Test Point 2	Input Below Autorange Reference							Input Above Autorange Reference						
				Test Point 3	Norm. Volts In	A4U1 Gain	Scale	Q1	Q2	Q3	Test Point 3	Nom. Volts In	A4U1 Gain	Scale	Q1	Q2	Q3
AM	Either	L	H	H	0 - 0.3	31.6	0 - 3	ON	OFF	ON	L	0.3-1	10	0 - 10	OFF	ON	OFF
FM	Either	L	L	H	*	*	**	OFF	OFF	OFF	L	0-1	10	**-	OFF	OFF	OFF
LEVEL	Odd	L	H	H	0 - 0.3	31.6	0 - 3	ON	OFF	ON	L	0.3-1	10	0 - 10	OFF	ON	OFF
	Even	H	H	H	0 - 0.3	31.6	0 - 10	ON	ON	OFF	L	0.3-1	10	0 - 3	OFF	OFF	ON

NOTES:

- * No autoranging in FM mode
- ** Scale lamps determined by PEAK DEVIATION switch
- L = 0 to 0.8 Vdc
- H = 3 to 5.2 Vdc

Meter Circuits Troubleshooting (1 of 2)

Component or Circuit	Test Conditions and Control Settings	Normal Indication	If Indication is Abnormal
BUFFER AMPL (A2U1)	Initial conditions and settings. Adjust MODULATION for a 2 Vp-p (1 Vpk) signal at TP3 (AC IN).	2 Vp-p (1 Vpk) at U1 pin 6	Check U1 and associated circuitry
POSITIVE PEAK DETECTOR (A2U2)	Initial conditions and settings. Adjust MODULATION for a 2 Vp-p (1 Vpk) signal at TP3 (AC IN).	1 Vdc at TP2 (DC OUT) circuitry	Check U2, CR1, C5 and associated
AUTORANGE COMPARATOR (A4U2)	Initial conditions and settings. Adjust MODULATION for 250 mVdc at TP4 (DC IN).	≈ 4.5 Vdc at TP3 (A)	Check U2 and associated circuitry
	Adjust MODULATION for 350 mVdc at TP4 (DC IN)	≈ -100 mVdc at TP3 (A)	
AMPL GAIN LOGIC (A4U4A)	Initial conditions and settings. Adjust MODULATION for 250 mVdc at TP4 (DC IN).	≈ 4.0 Vdc at U4A pin 3	Check U4 and associated circuitry
	Adjust MODULATION for 350 mVdc at TP4 (DC IN)	≈ 50 mVdc at U4A pin 3	
	Set Meter Function to FM	≈ 50 mVdc at U4A pin 3	

RF Vernier (A1A1, A26)
 SERVICE SHEET 16

SERVICE SHEET 17 (Cont'd)

TROUBLESHOOTING

It is assumed that a problem has been isolated to the meter circuits as a result of using the troubleshooting block diagrams. Troubleshoot by using the test equipment listed below, performing the initial test conditions and control settings, and following the procedures outlined in the table.

Test Equipment

Digital Voltmeter..... HP 3480B/3484A
 Oscilloscope..... HP 180A/1801A/1820C

Initial Test Conditions

Top cover, trim strip, and front panel window removed (see Service Sheet F for removal procedure). Use extender board to extend desired circuit board assembly (set instrument LINE power switch to OFF while removing or inserting circuit boards).

Initial Control Settings

Meter Function AM
 AM INT
 MODULATION FREQUENCY 1kHz
 FM INT
 PEAK DEVIATION 5 kHz
 OUTPUT LEVEL 0 dBm
 (2 steps ccw from full cw)
 RF ON/OFF ON

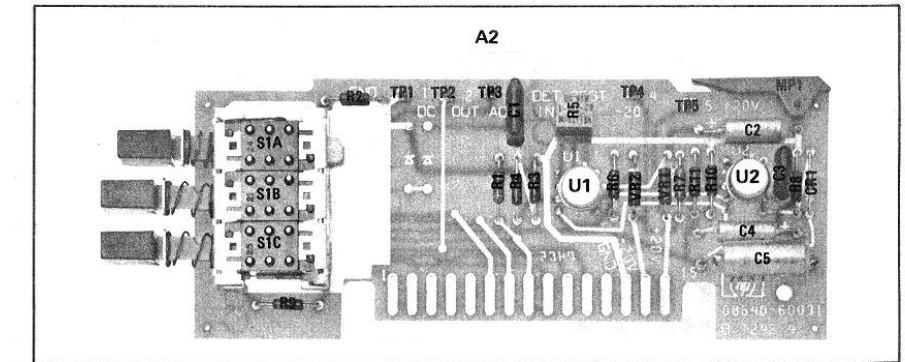


Figure 8-51. A2 Meter Switch/Detector Assembly Component Locations

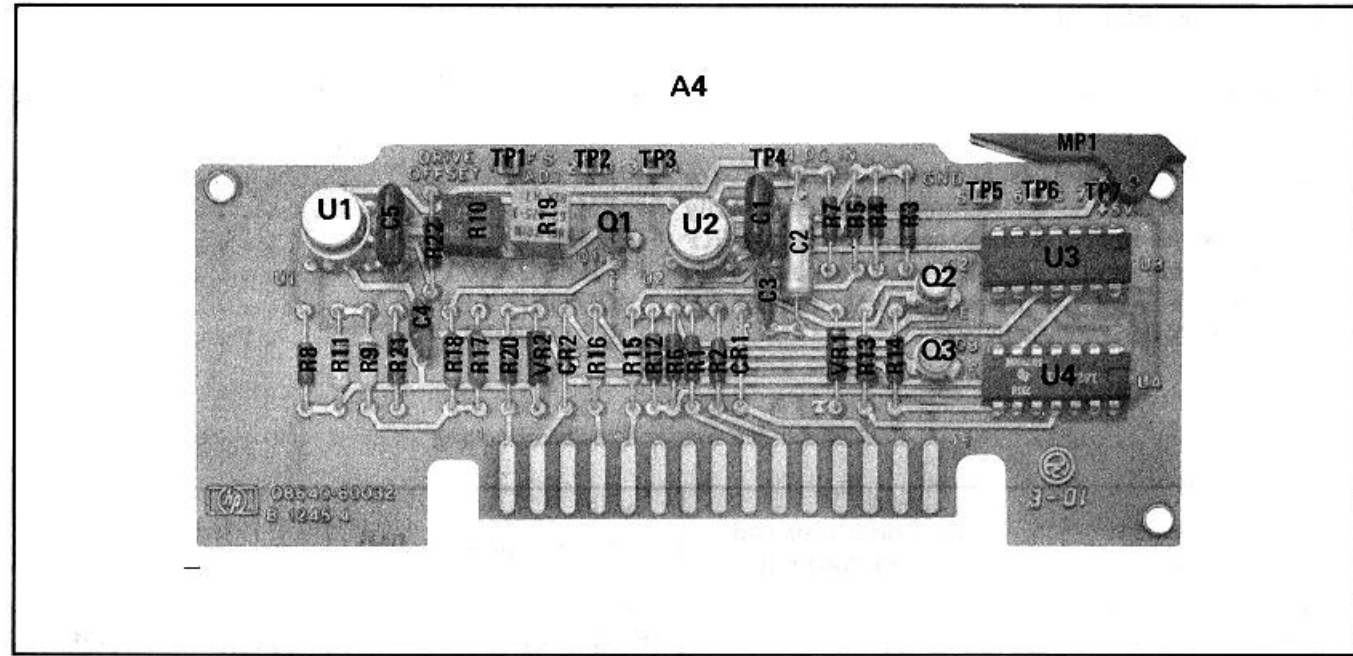


Figure 8-52. A4 Meter/Annunciator Drive Assembly Component Locations

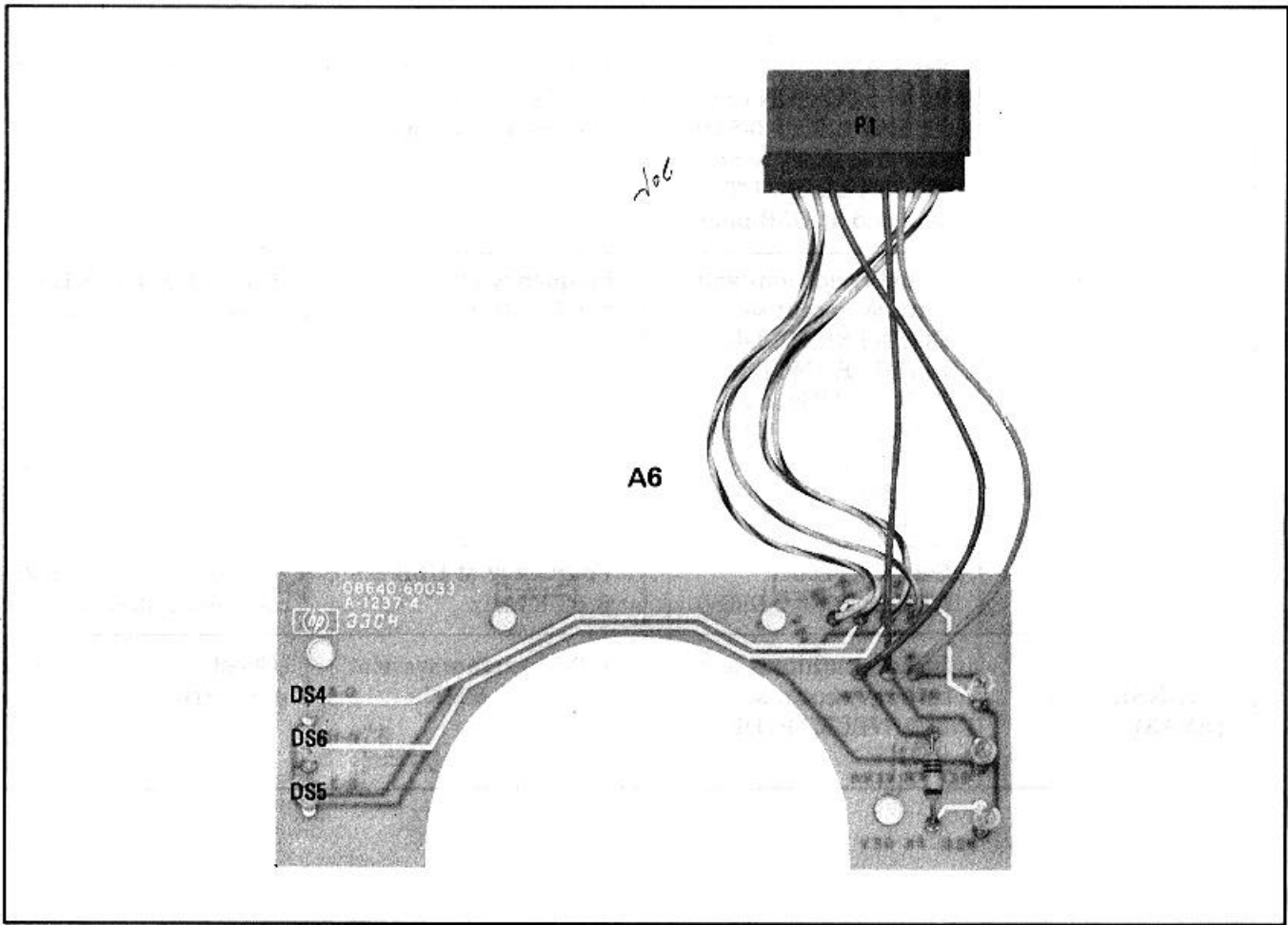


Figure 8-53. P/O A6 Annunciator Assembly Component Locations

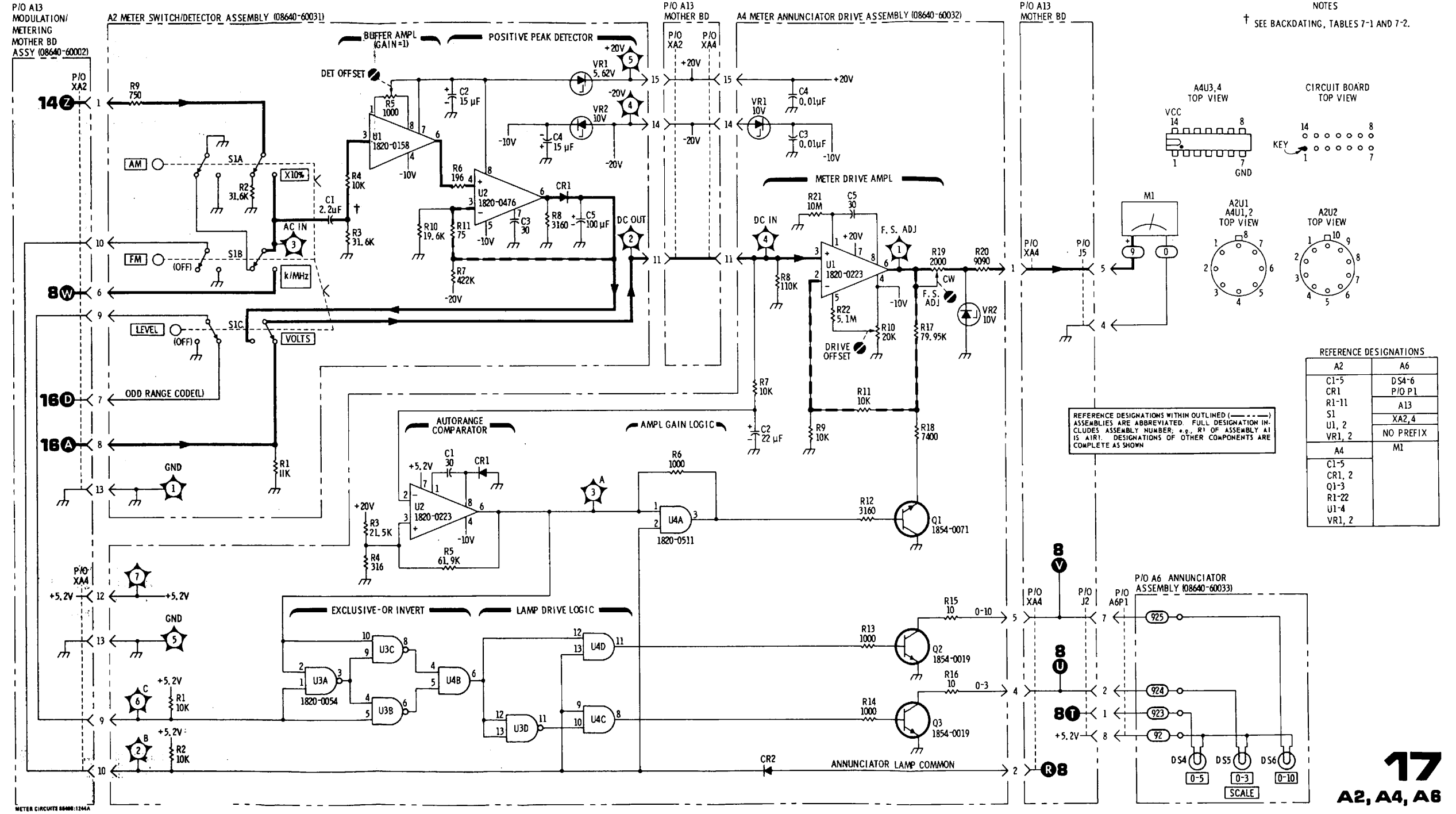
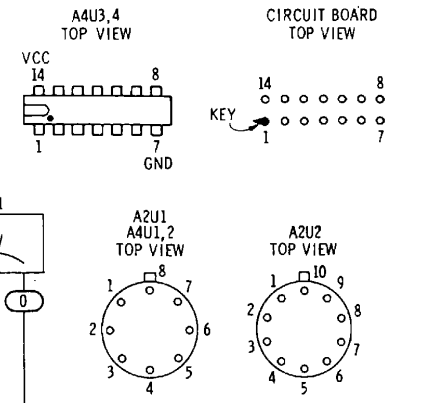


Figure 8-54. Meter Circuits Schematic Diagram

NOTES
 † SEE BACKDATING, TABLES 7-1 AND 7-2.



REFERENCE DESIGNATIONS	
A2	A6
C1-5	DS4-6
CR1	P/O P1
R1-11	A13
S1	XA2, 4
U1, 2	NO PREFIX
VR1, 2	
A4	M1
C1-5	
CR1, 2	
Q1-3	
R1-22	
U1-4	
VR1, 2	

REFERENCE DESIGNATIONS WITHIN OUTLINED (---) ASSEMBLIES ARE ABBREVIATED. FULL DESIGNATION INCLUDES ASSEMBLY NUMBER. +, R1 OF ASSEMBLY A1 IS A1R1. DESIGNATIONS OF OTHER COMPONENTS ARE COMPLETE AS SHOWN.

SERVICE SHEET 18

PRINCIPLES OF OPERATION

General

The RF A8A1 Scaler Assembly processes the RF input to the counter. In INT or EXT 0 - 550 MHz counter modes, the input frequency is divided by 64. In the EXT 0 - 10 MHz mode, the input frequency is not divided.

Comparator (A8A1)

In the INT counter mode, the RF signal from the RF oscillator Frequency Counter Buffer Amplifier (Service Sheet 5) passes through relay K1 into Comparator U5 which converts the input signal to EECL compatible pulses. In the EXT counter mode, the external input couples into U5 through relay K2 and a diode network (CR2 and CR3) which protects U5 from large voltages.

Dividers (A8A1)

EECL dividers U1 and U2 divide the frequency by 2 and 16 respectively; U4 is an ECL divide-by-two. In the INT or EXT 0 - 550 MHz counter modes, the divider stages are enabled through the OR input of U1 and set (S) input of U4. The output of U3A is high, U3D is low, U3B inverts the Q output of U4. Note that for ECL and EECL, ground is a logical high and an open and a negative, is a logical low. In the EXT 0 - 10 MHz counter mode the OR input of U1 is disabled (high), and the set (S) input of U4 is high; therefore, the Q output is low. The output of U3A is low, U3D inverts the RF input and U3B inverts the output from U3D with no frequency division. Transistors Q1 and Q2 shift the EECL logic levels to ECL logic levels. The output from the bypass gate U3D is ac coupled into transistor A8A3Q2 which converts the ECL logic levels to TTL logic levels. The output of A8A3Q2 drives the counter circuits.

TROUBLESHOOTING

It is assumed that a problem has been isolated to the counter RF scaler circuits as a result of using the troubleshooting block diagrams. Troubleshoot by using the test equipment listed below, performing the initial test conditions and control settings, and following the procedures outlined in the table.

Test Equipment

Digital Voltmeter HP 3480B/3484A
 Oscilloscope HP 180A/1801A/1820C
 Frequency Counter..... HP 5327C

← **Meter Circuits (A2, A4, A6)
 SERVICE SHEET 17**

SERVICE SHEET 18 (Cont'd)

Initial Test Conditions

Top cover removed (see Service Sheet F for removal procedure). A8 Counter/Lock Assembly casting cover removed with access to A8A1 RF Scaler Assembly and A8A3 Time Base Assembly (see Service Sheet B for procedures). Connect RF OUTPUT to COUNTER INPUT.

Initial Control Settings

COUNTER MODE: EXPAND Off
 LOCK Off
 SourceEXT 0 - 10
 AM OFF
 FM OFF
 RANGE 4 - 8 MHz
 FREQUENCY TUNE Full cw
 OUTPUT LEVEL 100 mVOLTS
 RF ON/OFF ON

Counter RF Scaler Troubleshooting

Component or Circuit	Test Conditions and Control Settings	Normal Indication	If Indication is Abnormal
RF SCALER (A8A1)	Initial conditions and settings. Check frequency at COUNTER INPUT jack and at U3B pin 6.	Frequency at COUNTER INPUT the same as U3B pin 6	Check K2, U5, Q1, U3A, U3D, and associated circuitry
	Set RANGE to 32-64 MHz and COUNTER MODE to EXT 0-550. Check frequency at COUNTER INPUT jack and at U3B pin 6.	Frequency at COUNTER INPUT 64 times frequency at U3B pin 6	Check K2, U5, U1, U2, U3B, U4, Q2, and associated circuitry
COMPARATOR (A8A1)	Initial conditions and settings except set COUNTER MODE to INT, RANGE to 256-512 MHz, and FREQUENCY TUNE to 550 MHz (with counter at RF OUTPUT).	Frequency at U3B pin 6 - 8.58 MHz	Check U5, U1, K1, and associated circuitry
	Set COUNTER MODE to EXT 0-550.58 MHz	Frequency at U3B pin 6 and associated circuitry	Check CR2, CR3, K2,
ECL to TTL TRANSLATOR (A8A3)	Initial conditions and settings except set COUNTER MODE to INT	0-5V square wave at Q2-C at 8 MHz	Check Q2 and associated circuitry

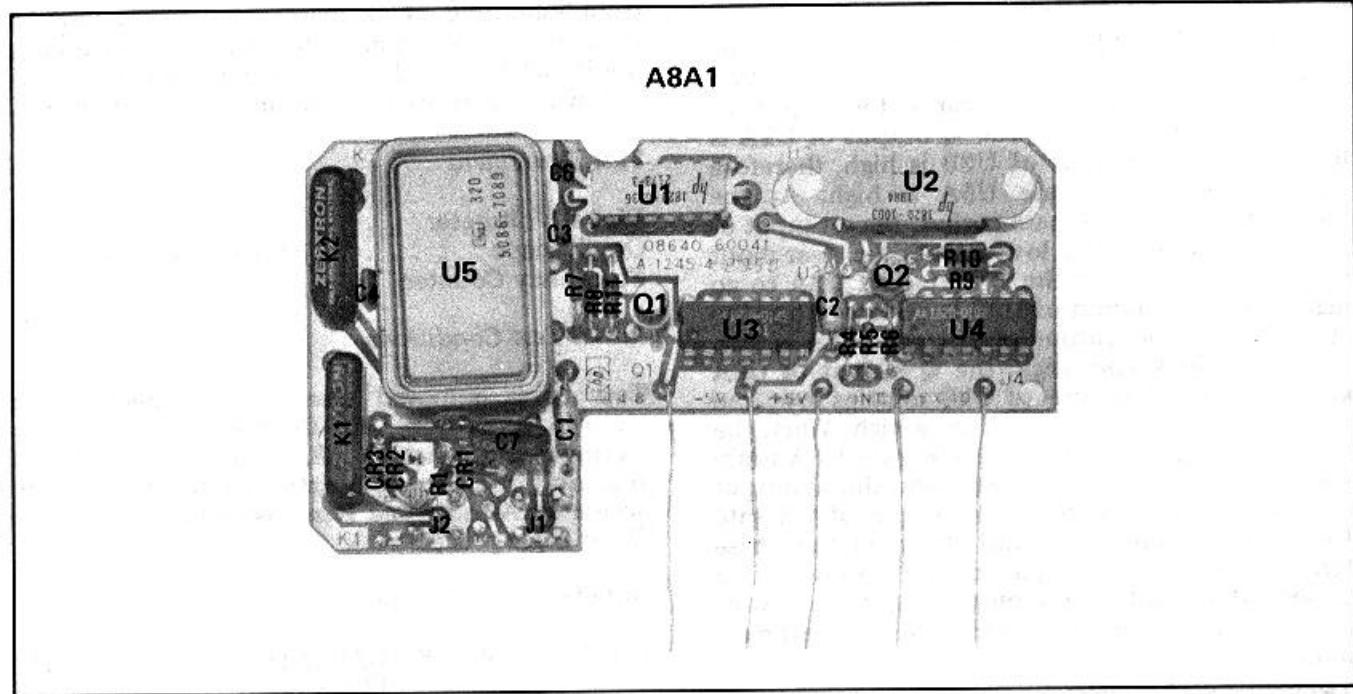


Figure 8-55. A8A1 RF Scaler Assembly Component Locations

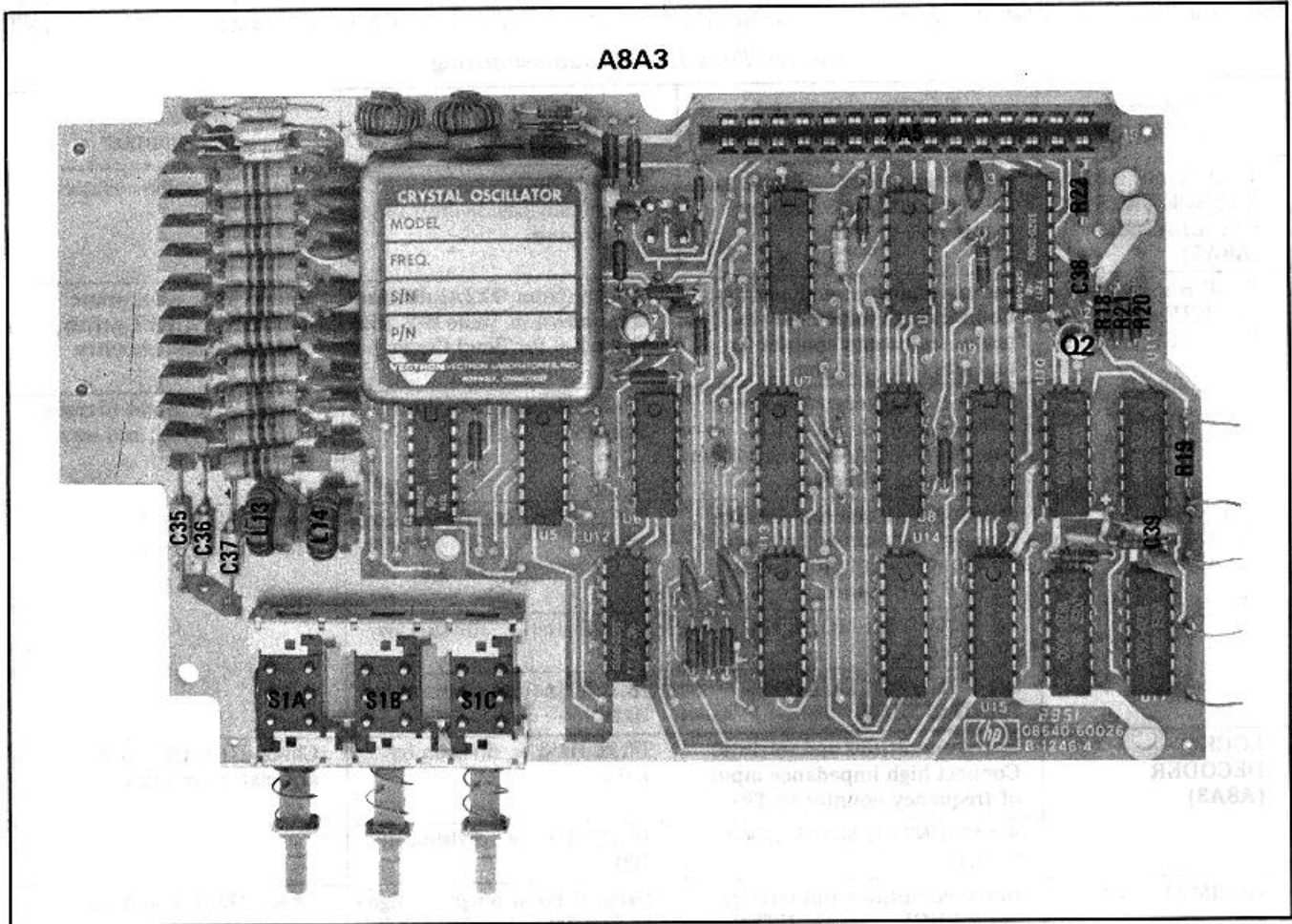


Figure 8-56. P/O A8A3 Time Base Assembly Component Locations

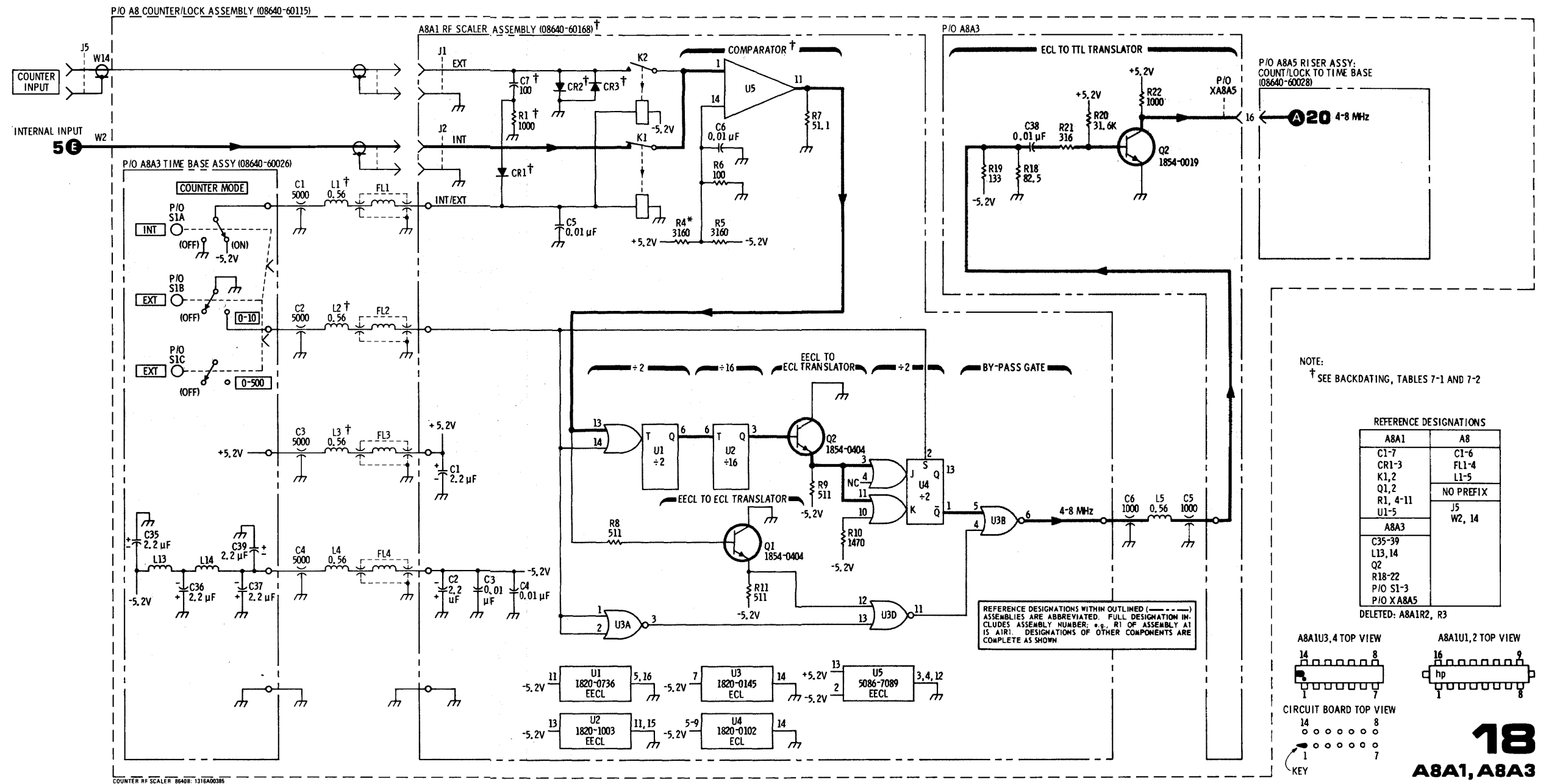


Figure 8-57. Counter RF Scaler Schematic Diagram

Model 8640B
SERVICE SHEET 19
PRINCIPLES OF OPERATION

General
The A8A3 Time Base Assembly contains the internal counter time base reference and circuits that frequency divide the time base reference down to the period required to gate the counter for a particular selection of frequency range and counter mode. Additional circuits adjust the duty cycle of the time base for phase lock and non-phase lock modes and decode the decimal point to the counter display. All counter assembly inputs are heavily filtered to prevent RF leakage.

Time Base Reference Crystal Oscillator (A8A3)
The internal Time Base Reference Crystal Oscillator Y1 is a 5 MHz crystal oscillator which can be voltage tuned over a ±100 Hz range. The tuning voltage comes from the TIME BASE VERNIER potentiometer A8A4R1 (Service Sheet 21). The oscillator output is ORed with the INT/EXT time base switch S3. The output of OR gate U6B follows the oscillator frequency when S3 is ground (INT), or is high when S3 is open (EXT). An external time base reference (if present) is ac coupled into the output of U6B. Transistor Q1 is a buffer amplifier and drives the +5 counter U12A.

Time Base Reference Decoder (A8A3)
Depending on the COUNTER MODE and RANGE selected, the time base reference frequency is divided by counters U13, U14, and U15 which are programmed by the Preset Decoders. The division ratio is given in Table 8-6. The Q_D output of U12A drives synchronously loading counters U13 and U14 which together form a programmable × 25, ×32, or ×40 counter.

The counters work as follows: at the last count of a 99-count sequence, the load inputs (LD) are enabled (with a low). The next count input presets the counters to the binary count at the data inputs (D_A, D_B, D_C, D_D). Counter U13 then counts the clock input (T) pulses beginning at the preset count. When the count reaches nine, the counter generates a high carry output (TC) pulse. The carry pulse enables (CE) counter U14 for one clock period which increments the count of U14 by one. Counter U13 then counts from zero to nine and generates another carry pulse. Counter U14 then increments by one more count. This process continues until both counters reach a count of nine. Counter U14 then generates a high carry which enables the load inputs (via inverter U7E). The next clock pulse presets the counter. The count sequence is then repeated. The total count equals (9 preset count of U14) × 10 + (10 preset count of U13). The preset count is determined by the range section of the switch A9S2A and the COUNTER MODE switches.

In the INT mode the COMMON switch line is low, gates U1A, U1B, U8B, and U8D decode the band code lines (CODE B and CODE C) and preset the data inputs of U13 and U14. In the EXT mode the COMMON line is high and CODE B and CODE C are high. The data inputs of U13 and U14 for different count conditions are given in Table 8-7. Note that band CODE A is defined as high on both CODE B and CODE C.

Table 8-6. Total Count of Time Base Reference Counters U13, U14, and U15

COUNTER MODE	Range MHz	Band Code	Total Count (Division)	
INT	0.5 - 1	A5	25 × 5 = 125	
	1 - 2	A1	25 × 1 = 25	
	2 - 4	A2	25 × 2 = 50	
	4 - 8	A4	25 × 4 = 100	
	8 - 16	A8	25 × 8 = 200	
	16 - 32	C1	40 × 1 = 40	
	32 - 64	C2	40 × 2 = 80	
	64 - 128	C4	40 × 4 = 160	
	128 - 256	B1	32 × 1 = 32	
	256 - 512	B2	32 × 2 = 64	
	512 - 1024	B4	32 × 4 = 128	
	EXT	0 - 550	-- --	32 × 2 = 64
		0 - 10	-- --	25 × 4 = 100

SERVICE SHEET 19 (Cont'd)

The QD output of U14 drives inverter U7F which drives counter U15 and OR gate U5B. Counter U15 is a programmable +1, 2, 4, 5 or 8 counter; its operation is similar to that of U13 and U14. At the last count of a nine-count sequence the load (LD) input is enabled. The next count input presets the counter to the binary count at the data inputs (D_A, D_B, D_C, and D_D). The counter then counts the clock input (T) pulses beginning at the preset count. When the count reaches nine, the counter generates a high carry (TC). The carry pulse enables the load input (via inverter U7C) and on the next clock pulse presets the counter. The count sequence is then repeated. The total count equals 10 - preset count. The preset count is also determined by the RANGE

switch and COUNTER MODE switches. The band code lines CODE 1, CODE 2, CODE 5, and CODE 8 and the COUNTER MODE functions are decoded by gates U1C, U4A, U4B, U6D, and U9 which drive the data inputs of U15. The data inputs of U15 for different count conditions are given in Table 8-8. (Note that band CODE 4 is defined as all highs on CODE 1, CODE 2, CODE 5, and CODE 8). When counter U15 is preset for +1, the carry output remains high and the output of U7C remains low. OR gate U5B now reproduces the output of inverter U7F directly.

Expand Decoder (A8A3)
The Expand Decoder counters, U16 and U17, are programmed to divide the Time Base Reference Decoder output by one (normally), by ten (in EXPAND X10), or by 100 (in EXPAND X100). The counters are configured as +10 counters with output Q_A connected to input T_{BD}. When the reset-to-nine input (R₉ at pin 7) is low, the counter operates as a +10 counter. When pin 7 is high, the counter, initially at a count of nine, overflows to zero when input TA goes low. The other reset-to-nine inputs (R₉ at pin 6) are normally low, being held low by the resistors (R10 and R17) on their inputs. When input TA goes high, capacitors C21 and C22 ac couple the high into the reset-to-nine inputs which resets the counters to nine. A short time later pin 6 returns low. When input TA again goes low, the counter again overflows to zero and the sequence repeats. The QD output then follows the TA input in frequency.

In the unexpanded mode, EXP 10 and EXP 100 are both high, the output of NAND gate U1D is low, and the output of inverter U7B is high. Both reset-to-nine inputs are high and counters U16 and U17 function as +1 counter.

In EXPAND X10, EXP 10 is low, NAND gate U1D is high, inverter U7B is low, and counter U16 functions as a +10 counter. In EXPAND X100, EXP 100 is low, NAND gate U1D is again high, inverter U7B is low, and this time both counters U16 and U17 function as +10 counters. The two counters in series divide the input frequency by 100.

Table 8-7. Count Modes of Counters A8A3U13 and U14

COUNTER MODE	Count Condition	U13 and U14 Data Inputs										Total* Count (Division)
		U13					U14					
		D _A	D _B	D _C	D _D	Preset Count	D _A	D _B	D _C	D _D	Preset Count	
INT	Band { A	H	L	H	L	5	H	H	H	L	7	25 32 40
	{ B	L	L	L	H	8	L	H	H	L	6	
	{ C	L	L	L	L	0	L	H	H	L	6	
EXT	0-550 MHz	L	L	L	H	8	L	H	H	L	6	32 25
	0-10 MHz	H	L	H	L	5	H	H	H	L	7	

*Total Count = (9 - Preset Count of U14) × 10 + (10 - Preset Count of U13)

Table 8-8. Count Modes of Counter A8A3U15

COUNTER MODE	Count Condition	U15 Data Inputs					Total* Count (Division)
		D _A	D _B	D _C	D _D	Preset Count	
INT	{ 1	H	L	L	H	9	1 2 4 5 8
	{ 2	L	L	L	H	8	
	{ 4	L	H	H	L	6	
	{ 5	H	L	H	L	5	
	{ 8	L	H	L	L	2	
EXT	0-550 MHz	L	L	L	H	8	2 2 4
	0-10 MHz	L	H	H	L	6	

*Total Count = 10 - Preset Count

Lock Decoder (A8A3)

The lock decoder further divides the time base reference frequency and adjusts the time base duty cycle for phase lock and non-phase lock modes. Counters U11 and U10 each function as +10 counters. In the unlocked mode, LOCK is low as is the output of AND gate U4C which drives the reset-to-zero inputs (R₀ at pin 2) of U11 and U10. The two counters in series count to 100. At the 100th count the QD output of U10 goes low as does the output of buffer gate U5D; the QA output of U12B goes high. The output gate U5C is normally low, being held low by resistor R12 on the inputs. When the QA output of U12B goes high, capacitor C24 ac couples the high into the reset-to-nine inputs of the counters and resets them to nine. A short time later the output of U5C returns low. The next pulse into the TA input of U11 clocks counters U11 and U10 to zero and the QA output of U12B goes low. The count sequence now repeats. The result of the sequence is that the output of U12B is low for 100 counts of the T_A input of U11, and high for one count, dividing the frequency by 101.

In the locked mode, the LOCK line is high. Counters U11 and U10 count the T_A input pulses of U11. When the count reaches 100, the QD output of U10 goes low and the Q_A output of U12B goes high, the high pulse sets counters U11 and U10 to nine through the resistor-capacitor

network and U5C. The reset-to-zero inputs (R₀ at pin 2) are also held high through resistor-capacitor network R11 and C23 and AND gate U4C, but the reset-to-nine overrides the reset-to-zero. The time constant of the reset-to-zero resistor - capacitor network is longer than the reset-to-nine resistor-capacitor network so counter U11 and U10 first reset to nine then reset to zero (and both happen between input pulses). The low going Q_D output of U10 sets the output of U12B to zero. The count sequence now repeats. The result of the sequence is that the output of U12B is low for nearly all of 100 counts and high for only a small fraction of one count, dividing the frequency by 100. The output of the lock decoder drives inverter U17A whose output is the counter time base.

Decimal Point Decoder (A8A3)

The decimal point decoder decodes the band code and counter mode inputs and drives the decimal point lines to the display. In the EXPAND X10 mode the decimal point is shifted to the left one place; in the EXPAND X100 mode it is shifted two places. Gates U1A, U1B, U8B, U8C, and U8D decode the decimal point location from the band code and counter mode inputs and drive the data inputs (DA, DB, DC, and DD) of the decimal point shift register U3. The data inputs for the different counter modes are shown in Table 8-9. Note that only one data input is low for each case.

In the unexpanded counter mode, both EXP 10 and EXP 100 are high, the output of NAND gate U1D is low, and the clear (CLR) input of D flip-flop U2B is low. Flip-flop U2B clears and holds the Q output high which holds one input of OR gate U5A high. The output of OR gate U5A remains high regardless of the state of the other input which is the clock output from U5B. The T input of shift register U3 is held high. At the termination of a time base period, the output of U5C goes momentarily high. This output is inverted by U8A and drives the clear (CLR) input of U3. The output of U5C is also delayed by resistor-capacitor network R13 and C25 and drives the load (LD) input of U3. At the termination of each time base period, the shift register outputs (QA, QB, QC, QD, and QE) are first cleared (i.e., all go low) and then loaded with the data inputs. The outputs drive the decimal point inputs of the LED display.

Table 8-9. Data Inputs of Decimal Point Shift Register

COUNTER MODE	RANGE (MHz)	Band Code	Data Inputs					Decimal Point Outputs
			A	B	C	D	E	
INT	0 - 5-	A5	H	H	H	L	H	5
	1 - 2	A1	H	H	L	H	H	4
	2 - 4	A2	H	H	L	H	H	4
	4 - 8	A4	H	H	L	H	H	4
	8 - 16	A8	H	H	L	H	H	4
	16 - 32	C1	H	L	H	H	H	3
	32 - 64	C2	H	L	H	H	H	3
	64 - 128	C4	H	L	H	H	H	3
	128 - 256	B1	L	H	H	H	H	2
	256 - 512	B2	L	H	H	H	H	2
	512 - 1024	B4	L	H	H	H	H	2
EXT	0 - 550	----	L	H	H	H	H	2
	0 - 10	----	H	H	L	H	H	4

In the EXPAND X10 mode, EXP 10 is low; the output of U1D is high; the set (S) input of flip-flop U2A is low and sets the output (i.e., Q is low). The D input of U2B is low. Except at the termination of the time base period, the clear (CLR) input of U2A [and the set (S) input of U2B] are high. The Q output of U2B is high and holds the output of OR gate U5A high. At the termination of a time base period, the set input of U2B goes momentarily low; the Q output goes low until the clock pulse returns it to a high. The output of OR gate U5A is low for one low 'clock period then it goes high. The T input of U3 then receives one trigger pulse for each time base period in EXPAND X10. At the termination of a time base period the shift register is cleared, the input data is transferred to the output and then shifted up one

bit. A high appears in the output Q_A of U3 when shifting because the serial (SER) input is a high (i.e., open).

Counter RF Scaler (A8A1, A8A3)
SERVICE SHEET 18

In the EXPAND X100 mode, EXP 100 is low; the output of U1D is high. Except at the termination of a time base period, the clear and set inputs of U2A and U2B are high. The Q output of U2A is low, and the Q output of U2B is high, therefore the output of OR gate U5A is high. At the termination of a time base period, the set input of U2B goes momentarily low as does the clear input of U2A which causes the Q output of U2A to go high and the Q output of U2B to go low. When the clock is low, the output of OR gate U5A is low. When the clock goes high, the Q output of U2A goes low, the i output of U2B remains low, and the output of OR gate U5A goes high. When the clock goes low, the output of OR gate U5A again goes low. When the clock goes high, the Q output of U2B goes high as does the output of OR gate U5A and remains high until the next time base termination. The T input of U2 received two pulses, which shifted the output register up twice after being cleared and loaded with the preset inputs.

TROUBLESHOOTING

It is assumed that a problem has been isolated to the counter time base as a result of using the troubleshooting block diagrams. Troubleshoot by using the test equipment listed below, performing the initial test conditions and control settings, and following the procedures outlined in the table.

Test Equipment

Digital Voltmeter.....	HP 3480B/3484A
Oscilloscope.....	HP 180A/1801A/1820C
Frequency Counter.....	HP 5327C

Initial Test Conditions
Top cover removed (see Service Sheet F for removal procedure). A8 Counter/Lock Assembly casting cover removed, A8A2 Counter/Lock Board Assembly removed and extended for service with access to A8A3 Time Base Assembly (see Service Sheet B for procedures).

Initial Control Settings

COUNTER MODE: EXPAND.....	Off
LOCK.....	Off
Source.....	INT
RANGE.....	512 - 1024 MHz
TIME BASE INT/EXT (rear panel)	INT

Counter Time Base Troubleshooting

Component or Circuit	Test Conditions and Control Settings	Normal Indication	If Indication is Abnormal
TIME BASE REFERENCE CRYSTAL OSCILLATOR (A8A3)	Initial conditions and settings except set TIME BASE (on rear panel) to INT	Internal Reference Performance Tests (see Section IV) check good	Check U1 and associated circuitry
TIME BASE REFERENCE DECODER (ASA3)	Initial conditions and settings. Connect high impedance input of frequency counter to test point A (U14 pin 11). Connect counter to test point B (U5 pin 6). Set RANGE and COUNTER MODE switches as shown in Table 8-6.	1 MHz (from U12A) division is as shown in Table 8-7. (See Table 8-6 for Band Codes.) 1 MHz division is as shown in Table 8-6	Check U13, U14, preset decoder, RANGE switch, and associated circuitry Check U15, preset decoder, RANGE switch, and associated circuitry
EXPAND DECODER (A8A3)	Initial conditions and settings. Connect high impedance input of frequency counter to test point C (U17 pin 11). Set COUNTER MODE EXPAND to X10. Set COUNTER MODE EXPAND to X100	7,812.5 Hz (i.e., division by one) 781.25 Hz (i.e., division by 10) 78.125 Hz (i.e., division by 100)	Check U16, U17 and associated circuitry
LOCK DECODER (A8A3)	Initial conditions and settings. Connect high impedance input of frequency counter to TP1. Set COUNTER MODE LOCK to ON	77.35 Hz (i.e., division by 101) 78.125 Hz (i.e., division by 100)	Check U10, U11, and associated circuitry
DECIMAL POINT DECODER (A8A3)	Initial conditions and settings. Set RANGE and COUNTER MODE switches as shown in Table 8-9.	Decimal Point outputs (high) or decimal points lit as indicated in the table	Check U2, U3, and associated circuitry. Also check A8A4 U1-6 (see Service Sheet 20).

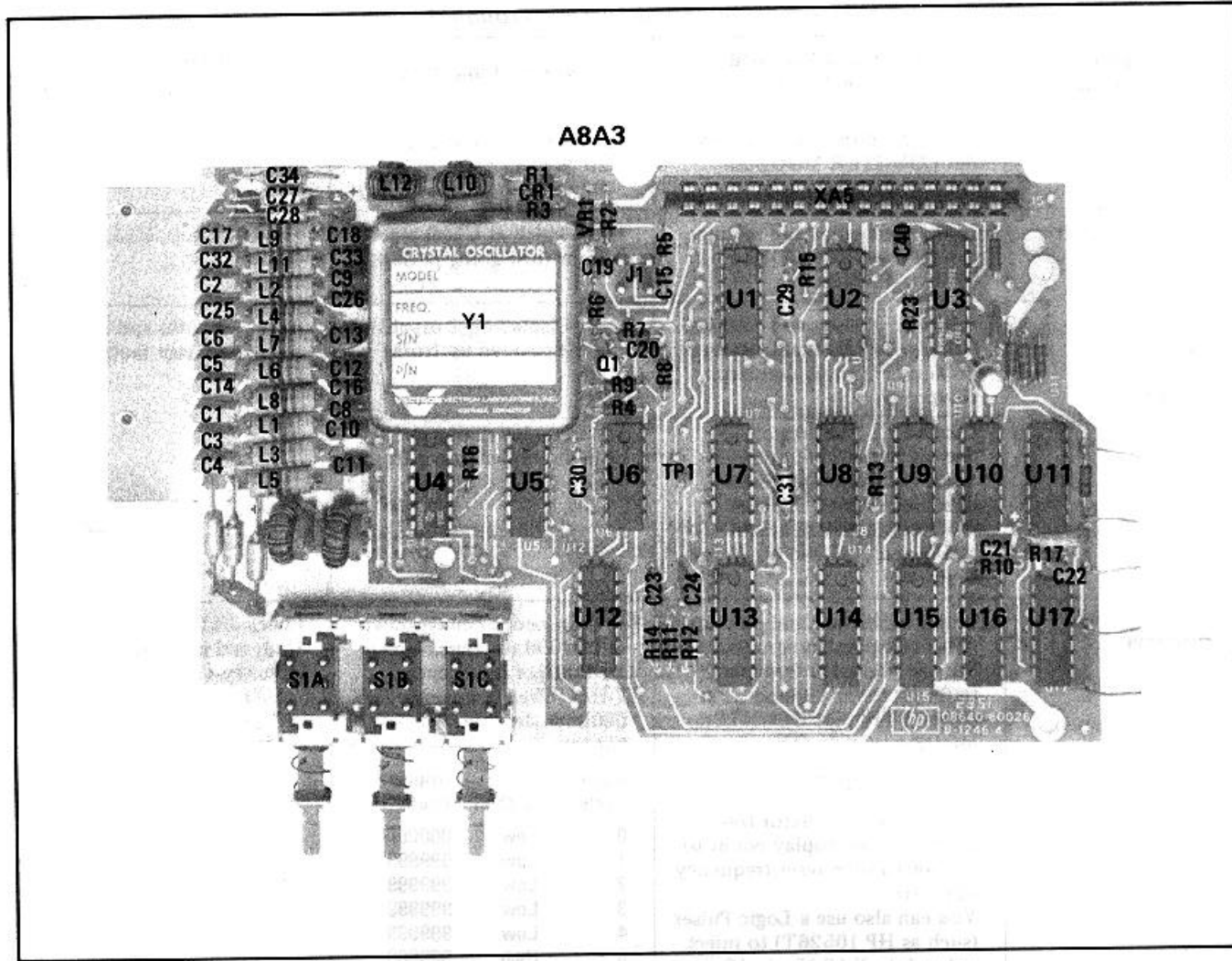
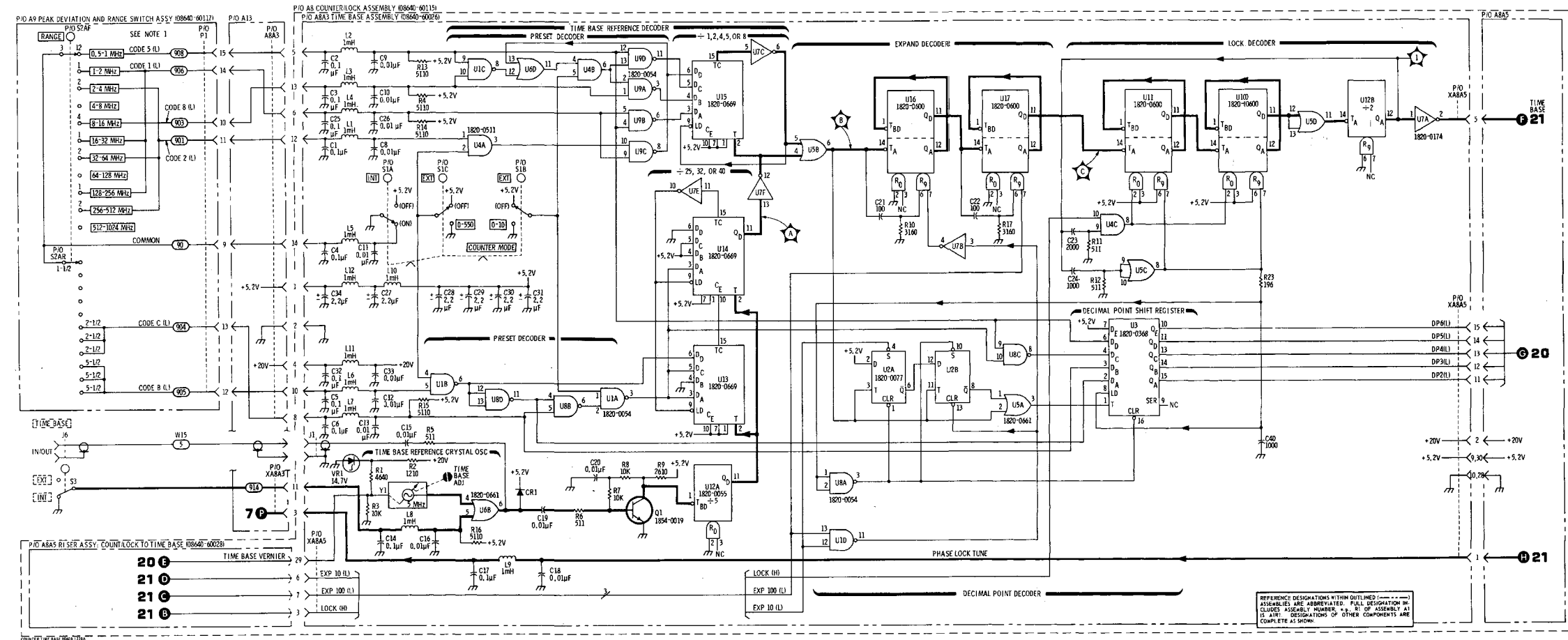


Figure 8-58. P/O A8A3 time Base Assembly Component Locations



NOTES:
L. CODE A-B C. CODE 4-1 2 3 8

RANGE	CODES	TIME BASE	DECIMAL
LOW-FREQ	TIME	PRF (Hz)	POINT
0.5-1 MHz	A1	7.5	5
1-2 MHz	A2	5.0	4
2-4 MHz	A4	10.0	4
8-16 MHz	A8	20.0	4
32-64 MHz	C1	4.0	3
64-128 MHz	C4	16.0	3
128-256 MHz	B1	3.2	2
256-512 MHz	B2	6.4	2
512-1024 MHz	B4	12.8	2

COUNT 1 - 16 OF PS
LOCK 1 - 0.5 PS

*PRF (Hz) SHOWN FOR LOCK MODE. PRF (Hz) FOR COUNT MODE IS 1/4 LESS THAN THAT SHOWN.

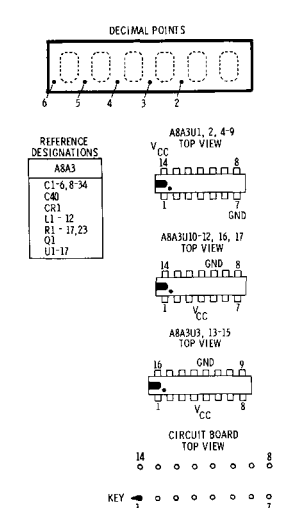


Figure 8-59. Counter Time Base Schematic Diagram

A9

Component Locations for A9 Assembly are on Service Sheets 6 and 8.

Model 8640B
SERVICE SHEET 20
PRINCIPLES OF OPERATION

General

The counter has two modes of operation:

- 1) COUNT: The counter counts the input frequency.
- 2) PHASE LOCK: The counter finishes the current count sequence, stores the count, then enters phase lock counting down from the stored count to zero in a free-running mode.

The frequency is displayed on a six-digit LED numeric display.

Counter Operation - Count Mode (A8A2)

When COUNTER MODE LOCK switch S1 is out (Off) the count sequence is as follows: When the TIME BASE line is high, decade counters U24 through U19 count the input pulses. When TIME BASE goes low, the count is inhibited, the counter outputs are transferred to the outputs of storage buffers U7 through U12 which in turn drive the numeric displays A8A4U1 to U6. The storage buffer outputs are latched, and then the counters are cleared. When TIME BASE goes high, the count begins again.

Shaping and Input Gating

Gates U15A, U2B, U2C, U14D, and U13A shape the input waveform into pulses of about 30 nanoseconds duration. The circuit uses gate delays and positive feedback to shape the pulses. NAND gate U2D inhibits the input to the counter when TIME BASE is low. D flip-flop U1A and gates U14B and U15B also shape the input pulses and further assure that the pulse is either of full duration or is absent in the event that TIME BASE goes low while an input pulse is high.

The output of gate U17C is normally low, and the output of gate U16B is normally high (the resistor R45 and inductor L1 hold the inputs low). When the TIME BASE goes low, the output of inverter U4E goes high. The output of U16B goes low until resistor R45 discharges capacitor C10 and the output returns to a high. While U16B is low, the low enable (EN) inputs of the storage buffers allow the data inputs to transfer to the outputs. When the output of U16B goes high, the output of U17C goes high until inductor L1 charges C11 and the output returns to a low. While U17C is high, the counters are cleared. When TIME BASE goes high, the outputs of U16B and U17C remain unchanged.

Overflow Detector

The overflow detector lights OVER FLOW lamp A8A4DS2 whenever a carry is generated by counter U19, in which case the count has exceeded the number of digits available in the display. The output of inverter U4B is normally high. Counter U14 generates a low at the carry (CRY) output on the count of nine, but the output of U4B remains high. At the count of ten, the carry output of U14 returns high, output of U4B goes low until resistor R49 discharges capacitor C14 and the output returns to a high. While U4B is low, D flip-flop U5A clears. Shortly after TIME BASE goes low, the output of U16B goes high and toggles D flip-flop U5B. If a low was present at the D input, the Q output goes high, turns on transistor Q16, and lights the OVER FLOW lamp; otherwise Q remains low. When the TIME BASE goes high, the Q output of U5A goes (or remains) high, and remains so until an overflow carry is generated.

Counter Operation - Phase Lock Mode (A8A2)

When COUNTER MODE LOCK switch SI is in (ON) the count just prior to the acquisition of phase lock is transferred to the storage buffers U7 through U12 and then the buffers are latched. The decade counters U19 to U24 then count the input pulses, counting down from the count stored in the buffers. The count sequence is as follows: The count proceeds down to zero, then to 999,999, generating a borrow output in U19. The borrow causes the Stall Counter decade counter U28 with D flip-flop U1B to be cleared from its normal nine count and the main counters to be preset from the Storage Buffers. The input to the main counter is inhibited while the input to the Stall Counter is enabled. The Stall Counter then begins counting up. At the count of four, a high is generated at the output QC of the Stall Counter which clocks the count-down input of the second counter U23 which subtracts ten from the count. When the Stall Counter reaches the count of nine, the clock to the main counter is enabled and the clock to the Stall Counter is disabled. The count proceeds down until a zero count is reached and the sequence repeats.

In summary, the counter counts down to zero, then to 999,999, and then is preset to the stored count where it remains for four more clock pulses. A count pulse into the second counter then subtracts ten from the preset count. Finally, when a total of nine pulses has been counted by the Stall Counter, the main counter starts counting down towards zero. The stall of nine counts gives the main counters adequate time to preset. The nine count delay plus the count to one below zero (i.e., to 999,999) is compensated for by subtracting ten from the main counter.

The circuit implementation of the sequence is as follows: When the count reaches 000,000, the borrow (BRW) output of U19 goes low. The count proceeds to 999,999 at which time the borrow output goes high. Normally, the input to inverter U4A is held low by inductor L2. The high at the borrow output of U19 is ac coupled through capacitor C12 to the inverter and also the clear (CLR) input of the Stall Counter U28. The inputs are held high long enough to clear U28 and flip-flop U1B. The Q output of U1B goes high and inhibits the input to the main counter by means of OR gate U14C and enables the Stall Counter by means of AND gate U17B. When counter U28 reaches a count of four, output QC goes high and the output of NAND gate U2A goes low. The borrow output of counter, U24 is high because the count down (CD) input is held high by

U14C. The low from the output of U2A causes a low at the output of U13C and also U13D. Since the output of U14C is high, the output of NOR gate U25A is low. The low from U13D causes a high at the output of NOR gate U25B and clocks the count down (CD) input of U23 once. If U23 is at a zero count, its borrow output clocks counter U22. If U22 is at zero, it clocks counter U21, etc. When Stall Counter U28 reaches the count of eight, output QD goes high and causes a high on the D input of flip-flop U1B. The next clock causes the Q output of U1B to go low which inhibits the clock to the Stall Counter and enables the clock to the main counter.

In the normal count down mode, decade counters U19 to U24 form a synchronous counter. OR gates U27A to U27C and AND gate U13C have high outputs unless all previous counters are at the zero count. When any of the OR gates (or AND gate U13C) are low, the output of the following NOR gate (U5A to U5D or U25B) goes high on the next clock input. Thus each counter changes count only at the occurrence of a clock input and only if all previous counters are zero (their borrows having rippled through to enable it).

Counter Operation - Transition from Counter Mode to Phase Lock Mode (A8A2)

When COUNTER MODE LOCK switch S1 is depressed (to ON) the counter sequences as follows: Counters U19 to U24 continue counting up until TIME BASE goes low. Stall Counter U28 has been preset to the count of eight, Storage Buffers U7 through U12 are loaded with the outputs of the counters and then latched; then the counters are cleared and the input to the main counter is inhibited while the input to the Stall Counter is enabled. The lock mode is now entered with LOCK high, and the QD output of stall counter U28 high. The D input of U1B is high and the next clock input toggles the Q output to a low. The clock to the main counter is then enabled and that to the Stall Counter disabled. The next input pulse sends the main counter to 999,999 since it was previously cleared to zero. The counter now sequences in the normal phase lock mode.

Flash Oscillator (A8A2)

When a phase lock error is detected, a 2 Hz flash oscillator is turned on to blink the display. Transistors Q5 and Q4 form a two-stage astable multivibrator. A high on the ERROR line holds collector resistor R42 at about 3V, and the oscillator is biased on. The frequency of oscillation is determined by the time constants of R39, C9 and R41, C8. The collector of Q4 switches transistor Q3 which switches the Vcc supply to the Storage Buffers U7 through U12. With an open at the Vcc Supply, the Storage Buffer outputs are open which represents a high to each display input. The displays generate a blank when all inputs are high. When no error exists Q3 is held on by Q4 which is also on, and Vcc is at 5V.

TROUBLESHOOTING

It is assumed that a problem has been isolated to the up/down counter and display circuits as a result of using the troubleshooting block diagrams. Troubleshoot by using the test equipment listed below, performing the initial test conditions and control settings, and following the procedures outlined in the table.

NOTE

The following tests depend upon the counter RF scaler circuits (shown on Service Sheet 18) and the counter time base circuits (shown on Service Sheet 19) working correctly.

Test Equipment

Digital Voltmeter	HP 3480B/3484A
Oscilloscope.....	HP 180A/1801A/1820C
Frequency Counter.....	HP 5327C
Test Oscillator	HP 652A

Initial Test Conditions

Top cover removed (see Service Sheet F for removal procedure). A8 Counter/Lock Assembly casting cover removed and A8A2 Counter/Lock Board Assembly removed and extended for service (see Service Sheet B for procedures). Connect the test oscillator 50-ohm output to COUNTER INPUT; set it for 500 mVrms.

Initial Control Settings

COUNTER MODE: EXPAND.....	Off
LOCK	Off
Source	EXT 0 - 550

RANGE	0.5 -1 MHz
FREQUENCY TUNE	Full ccw
RF ON/OFF	ON

NOTE

If in LOCK mode the frequency at RF OUTPUT differs by one count in the least significant digit from the frequency indicated on the display (1 ambiguity of the counter), the problem is probably caused by the total gate delays in the lock circuit. Replace A8A2U14.

If the counter won't phase lock on a certain count in a certain digit, but will lock on all other counts displayed by that digit, replace that digit's up/down counter.

← **Counter Time Base (A8A3, A9)**

← **SERVICE SHEET 19**

Up/Down Counter and Display Troubleshooting

Component or Circuit	Test Conditions and Control Settings	Normal Indication	If Indication is Abnormal
SHAPING (A8A2)	Initial conditions and settings. Set COUNTER MODE to EXT 0 - 10 MHz.	Pulse width at U13A pin 3 >25 ns (high going pulse)	Check U2, U13, U14, U15, and associated circuitry
INPUT GATING (A8A2)	Initial conditions and settings. Set COUNTER MODE to EXT O - 10 MHz.	Pulse width at U15B pin 6 >25 ns (low going pulse)	Check U1, U2, U14, U15
COUNTERS, STORAGE BUFFERS (A8A2), AND DISPLAY (A8)	Initial conditions and settings. Ground TP2 to enable Storage Buffers. Vary test oscillator frequency.	Each Display digit capable of being cycled up from 0 - 9	Check Counter and circuitry associated with faulty digit
	Ground TP4 (shown on Service Sheet 21) to disable Flash Oscillator and phase lock error signal. Then set COUNTER MODE LOCK to ON and vary test oscillator frequency.	Each Display digit capable of being cycled down from 9 - 0	
STALL COUNTER (A8A2)	Initial conditions and settings (with test points ungrounded). Set test oscillator frequency to 64 Hz then: Ground TP2; Ground TP4; Set COUNTER MODE LOCK to ON. NOTE Increase test oscillator frequency to set display count to ≈ 000010 then reset frequency to 64 Hz You can also use a Logic Pulser (such as HP 10526T) to inject pulses into XA8A5 pin 16 (i.e., the input to U15A)	Display count counts down to 000000 (incrementing 1 count per input cycle - 1 Hz). When count reaches 000000, the following will happen Input Cycle TPA (U28-6) Display Count 1 Low 999999 2 Low 999999 3 Low 999999 4 Low 999999 5 High 999989 6 High 999989 7 High 999989 8 High 999989 8 High 999989 9 Low 999989 10 Low 999989 11 Low 999988 12 Low 999987	Check U1B, U2, U13, U25, U28, and associated circuitry
OVERFLOW DETECTOR (A8A2)	Initial conditions and settings (with test points ungrounded). Set COUNTER MODE to INT and EXP X100.	OVER FLOW lamp lit	Check U5, Q18, A8A4DS2, and associated circuitry
FLASH OSCILLATOR (A8A2)	Initial conditions and settings. Set COUNTER MODE to INT, LOCK to ON, and turn FREQUENCY TUNE cw.	Display flahses at approximately a 2 Hz rate and digits count up as FREQUENCY TUNE is turned cw	Check Q3-5, U3, U16 (SS 21) and associated circuitry

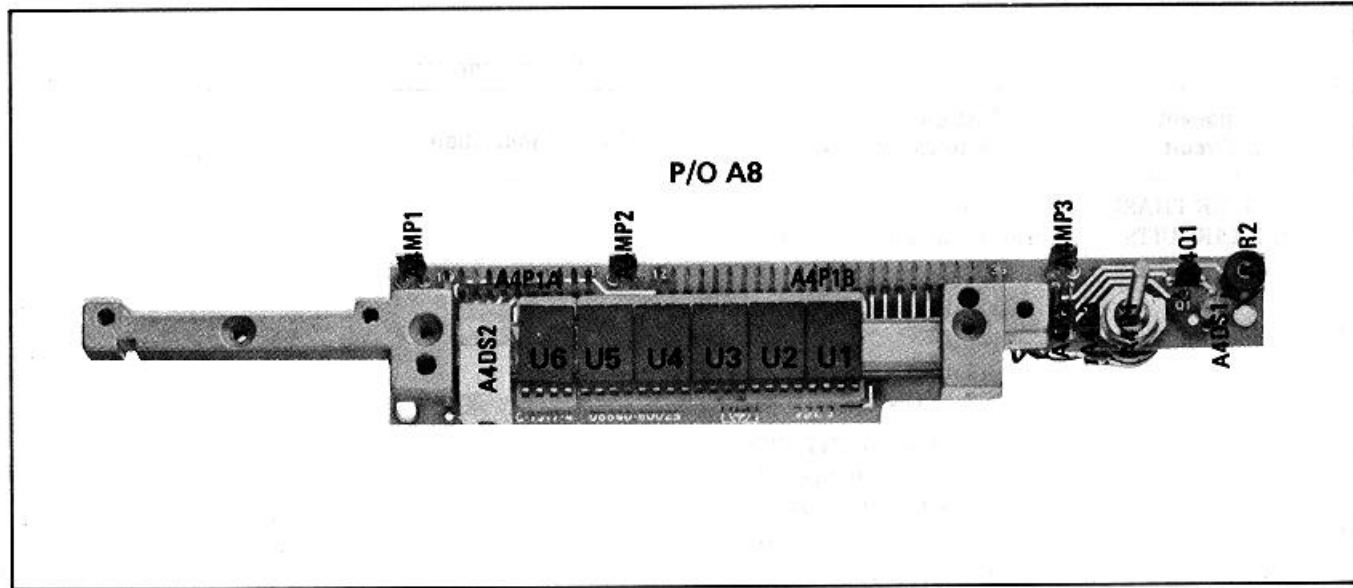


Figure 8-60. A8A4 Counter Display Assembly Component Locations (P/O A8)

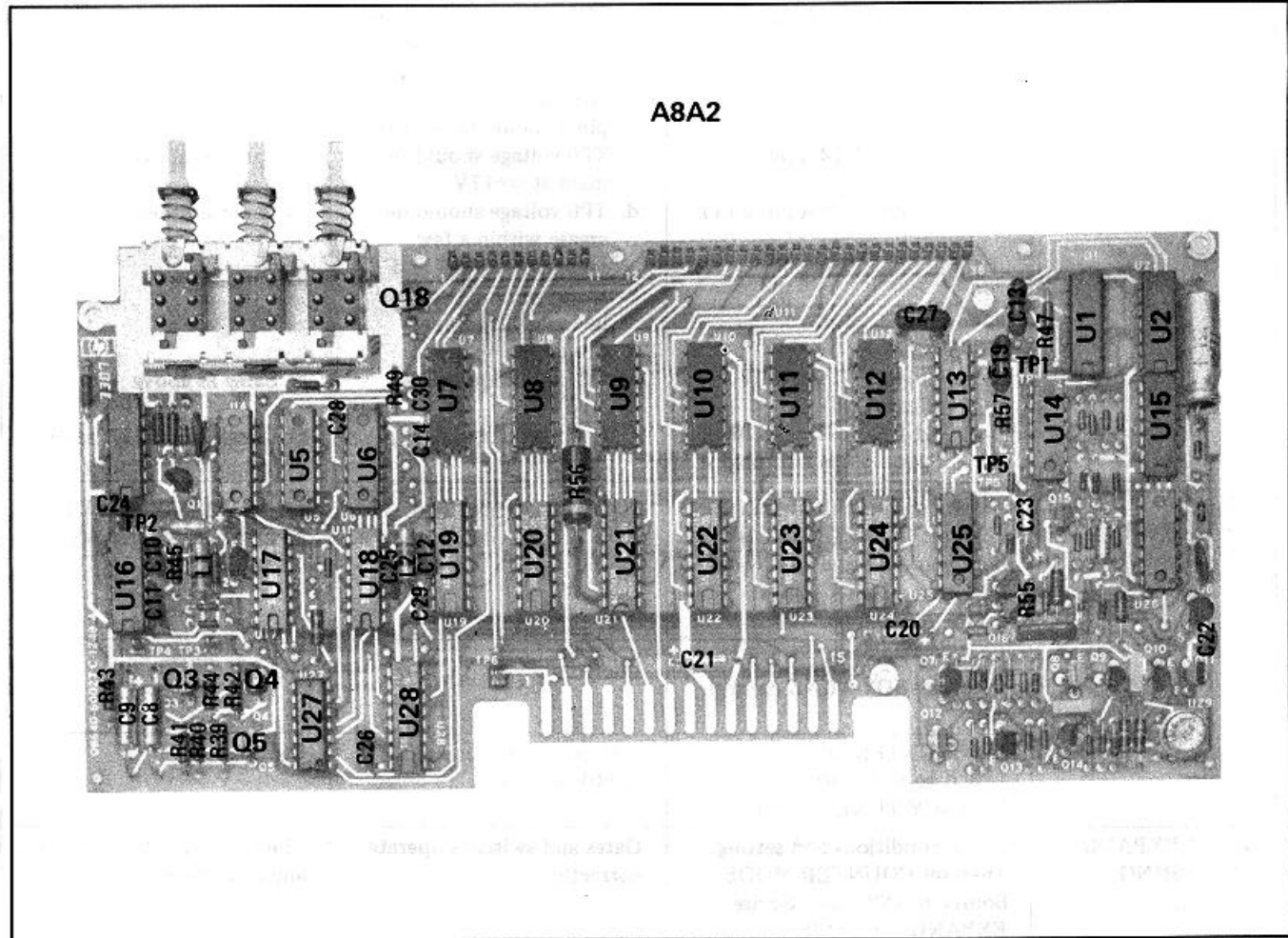


Figure 8-61. P/O A8A2 Counter/Lock Board Assembly Component Locations

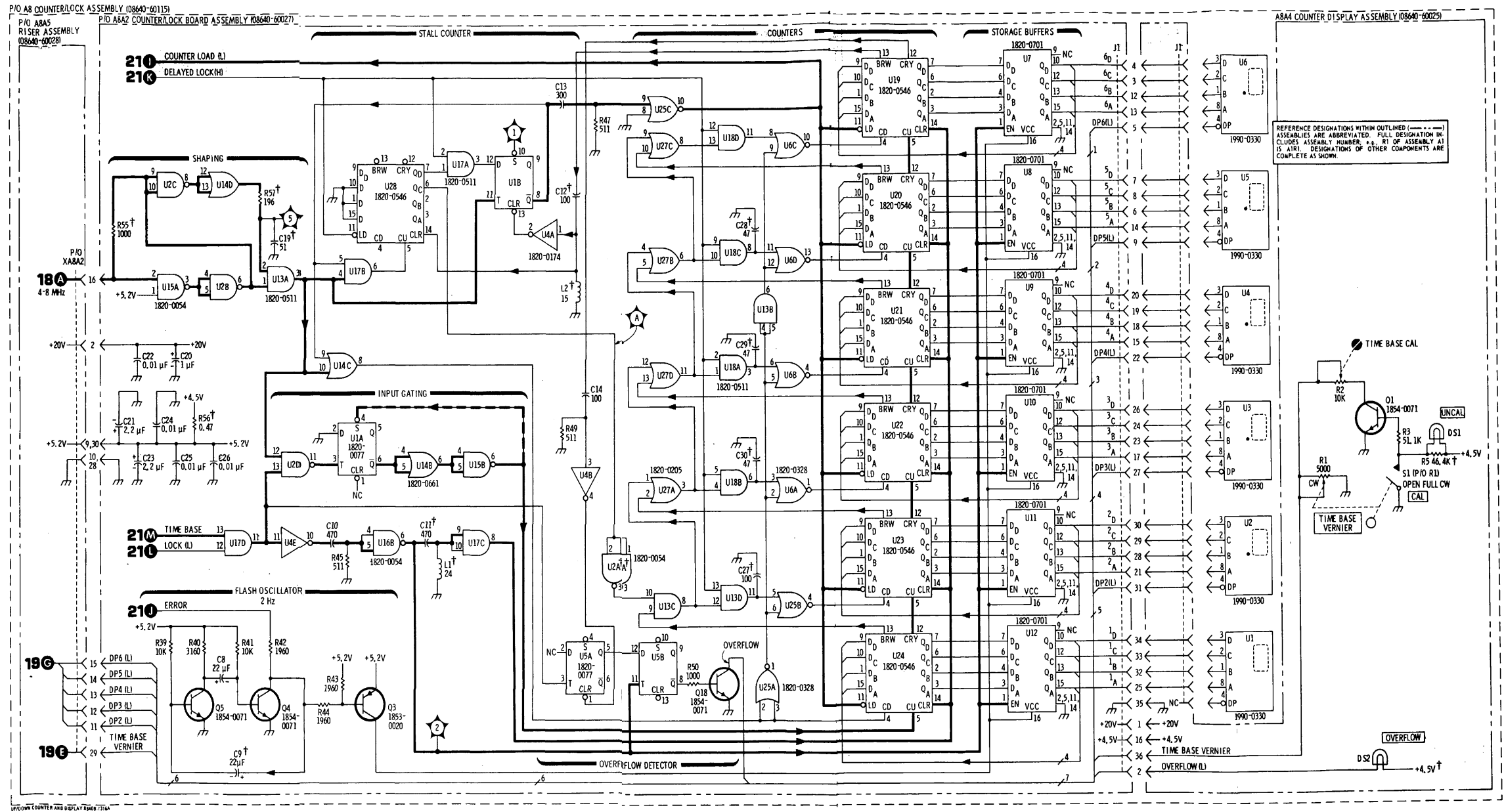
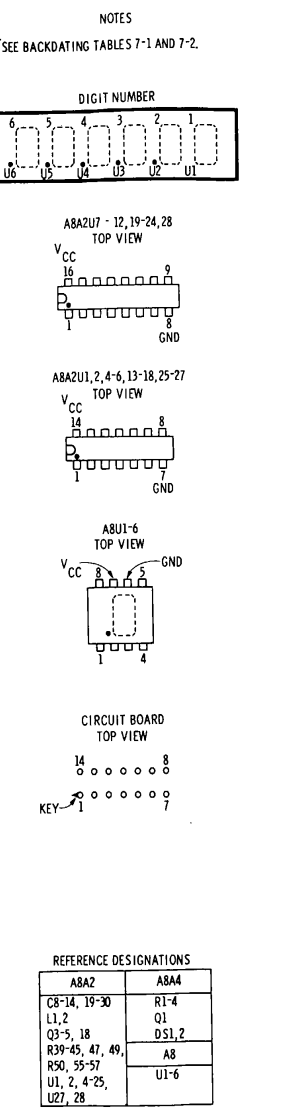


Figure 8-62. Up/Down Counter and Display Schematic Diagram



20
 A8A2, A8A4

PRINCIPLES OF OPERATION

General (A8A2)

The lock mode is entered as follows: Cross-coupled NAND gates U3A and U3B form an RS flip-flop. The output of U3A is low in the count mode and goes high after S1 is depressed and TIME BASE goes low. It remains high until S1 is unlocked. Transistor Q1 and diodes CR1 and CR2 form an OR gate, with TIME BASE and S1 as inputs.

When the phase lock error exceeds a predetermined limit, an error condition exists and a low appears at the input to NAND gate U16A and at the input to NAND gate U3D of the cross coupled pair formed by U3C and U3D. The output of U3D goes high and turns on the Flash Oscillator (Service Sheet 20). The output of U3C is normally high, but goes low when an error exists (with U3A high). The output of NAND gate U16C is low when phase lock exists. This is true when the output of U3A is high (i.e., S1 has been depressed and after that TIME BASE has gone low) and the output of U3C is high (i.e., in addition no error exists). The output of U16C is delayed by the resistor-capacitor network of R38 and C7 and inverted by U4D which enables the Stall Counter and the main counter. When an error occurs, the output of U16C goes high and the counter reverts to the count mode until S1 has been released and then depressed. NAND gate U16D prevents the error condition from reaching gate U3D when TP4 is grounded as an aid to troubleshooting.

Phase Lock Circuits (A8A2)

A phase error is sensed in the Null Phase Detector by detecting the difference in time of occurrence of the 999,999 count of the counter (see Service Sheet 20) and the TIME BASE signal. D flip-flops U26A and U26B and NAND gate U15C form the phase detector. When phase locked, both set (S) inputs are high. Between the low occurrences of COUNTER LOAD and TIME BASE, the Q outputs of both U26A and U26B are low. If COUNTER LOAD goes high first, the Q output of U26B goes high first. When TIME BASE goes high, the Q output of U26A goes high. Both inputs of NAND gate U15C are now high so the output goes low, and after a slight delay through resistor-capacitor network R1 and C1 and OR gate U14C, both flip-flops are cleared.

The Q output of U26B remained low longer than the Q output of U26A. If a high on TIME BASE had occurred first, the opposite would have been true. If both occur simultaneously, both outputs remain high for an equal duration. The Q output pulses of U26A and U26B are increased in duration by a pulse width multiplier and then drive current sources which charge and discharge a storage capacitor. When the Q output of U26B goes low it turns on transistor switch Q8. Capacitor C2 is at 10V when Q8 is off because the inverting input of amplifier U29A is at 10V; the output of U29A is also at 10V since, with Q8 off, no current flows through R7. When Q8 goes on, C2 rapidly discharges through Q8. The output of U29A goes high to about 20V and remains at that voltage until Q8 switches off and C2 charges slowly to about 100V. Current source Q7 is on when the output of U29A goes high. In a similar manner amplifier U29B goes high and turns on current source Q12 when the Q output of U26A goes low. Current source Q7 charges capacitor C4 and Q12 discharges it. Any phase difference from the phase detector results in a net charge or discharge (i.e., an increase or decrease in voltage) of C4. FET Q6 is a high impedance buffer amplifier which drives buffer Q11. Q11 drives the Phase Lock Loop Filter in the FM shaping circuits (Service Sheet 2). In the EXPAND X10 mode transistors Q16 and Q17 are switched in. Resistor-capacitor networks R51 and C15, and R52 and C16 now hold Q16 and Q17 on longer which in turn hold transistors Q8 and Q9 on longer to increase the duration of the pulse stretcher. Capacitor C17 is also switched in to reduce ripple on C4. In the normal count mode U26A and U26B are both set and cleared, i.e., both Q and Q are high, the current sources Q13 and Q14 are switched on to bias C4 at a nominal mid-range voltage.

Error Detector (A8A2)

If the phase lock tune voltage from Q11 is too high or too low, the limit of the lock range is approached so an error exists. The error is sensed by transistors Q2 and Q15. The emitter of Q2 is held at 14.9V and Q15 normally holds Q2 on. If the base of Q15 is low, the collector current is insufficient to hold resistor R30 and the base of Q2 at the 14.3V needed to keep Q2 on. If the base of Q15 is high, Q15 saturates and the collector voltage rises as the base rises. When the collector voltage of Q15 exceeds 14.3V, Q2 switches off and a low appears at the input of U16A which represents an error. Resistor-capacitor network R31 and C6 filters the voltage to the base of Q2.

TROUBLESHOOTING

It is assumed that a problem has been isolated to the counter phase lock circuits as a result of using the troubleshooting block diagrams. Troubleshoot by using the test equipment listed below, performing the initial test conditions and control settings and following the procedures outlined in the table.

NOTE

If the counter phase lock circuits fail, the usual effect is that the generator won't enter phase lock or that it won't break phase lock. Ensure that the counter circuits shown on Service Sheet 20 operate correctly before checking the phase lock circuits.

SERVICE SHEET 21 (Cont'd)

When the procedures in the table require that a point be grounded, they often depend upon multiple groundings (ground probe or contact bounce) to work correctly. Clipping or touching a grounding probe to a point will usually supply enough multiple groundings to make the procedure work. The procedures in the table also depend upon the sequence of switch settings and groundings. If a procedure does not work correctly, try ungrounding the test points, resetting the switches to the Initial Control Settings, and repeating the procedures.

Test Equipment

Digital Voltmeter..... HP 3480B/3484A

Initial Test Conditions

Top cover removed (see Service Sheet F for removal procedure). A8 Counter/Lock Assembly casting cover removed and A8A2 Counter/Lock Board Assembly removed and extended for service (see Service Sheet B for procedure).

Initial Control Settings

COUNTER MODE: EXPANDOff
LOCKOff
Source..... EXT 0 - 10
TIME BASE INT/EXT (on rear panel) INT

NOTE

If phase lock is broken when the TIME BASE VERN control is turned (with COUNTER MODE set to INT, LOCK, and EXP X10), check Q16, Q17 and associated circuitry. (This will probably happen when RANGE is set to 8 16 MHz).

← Up/Down Counter and Display (A8A2, A8A4)
← SERVICE SHEET 20

SERVICE SHEET 21 (Cont'd)

Counter Phase Lock Circuits Troubleshooting

Component or Circuit	Test Conditions and Control Settings	Normal Indication	If Indication is Abnormal
COUNTER PHASE LOCK CIRCUITS (A8A2)	Initial conditions and settings. Perform the following steps in sequence. 1. Ground TP4 to disable error signal 2. Set COUNTER MODE LOCK to ON 3. Set TIME BASE INT/EXT to EXT (with no input - this sets time base line high) 4. Connect DVM to TP6 (phase lock tune line) and use a grounding probe to momentarily ground the following points a. Ground U14A pin 1 (clears U26) b. Ground U26B pin 11 (T) c. Ground U14A pin 1 (clears U26) d. Ground U26A pin 3 (T) e. Ground U14A pin 1 (clears U26) f. Set EXPAND to X10. Repeat steps a through e	a. TP6 at any voltage from ≈+5 to +17V and stable b. TP6 voltage should rise within a few seconds to ≈+17V and U26B pin 8 (Q) should be low. U29A pin 1 should be ≈+20V. c. TP6 voltage should remain at +17V d. TP6 voltage should decrease within a few seconds to ≈+5V and U26A pin 8 (Q) should be low. U29B pin 7 should be +20V. e. TP6 should remain at ≈+5V f. Same results as steps a through e	a. Check Q6, Q7, Q8, Q11, U26B, U29A, and associated circuitry b. Same as above c. Same as above d. Same as above e. Same as above f. Check Q16, Q17, and associated circuitry
ERROR DETECTOR (A8A2)	Initial conditions and settings. Then set COUNTER MODE Source to INT and LOCK to ON. Turn FREQUENCY TUNE control cw. Repeat above except turn FREQUENCY TUNE control ccw Set COUNTER MODE LOCK to Off. Turn FREQUENCY TUNE control.	U3D pin 11 (error signal) is ≈+5V (high) Same as above U3D pin 11 (error signal) is ≈0Vdc (low)	Check Q2, Q15, U3, U16 and associated circuitry Same as above Same as above
LOCK EXPAND SWITCHING (A8A2)	Initial conditions and settings. Then set COUNTER MODE Source to INT and exercise EXPAND and LOCK switches.	Gates and switches operate correctly	Check S1, Q1, U3, U4, U16 and associated circuitry

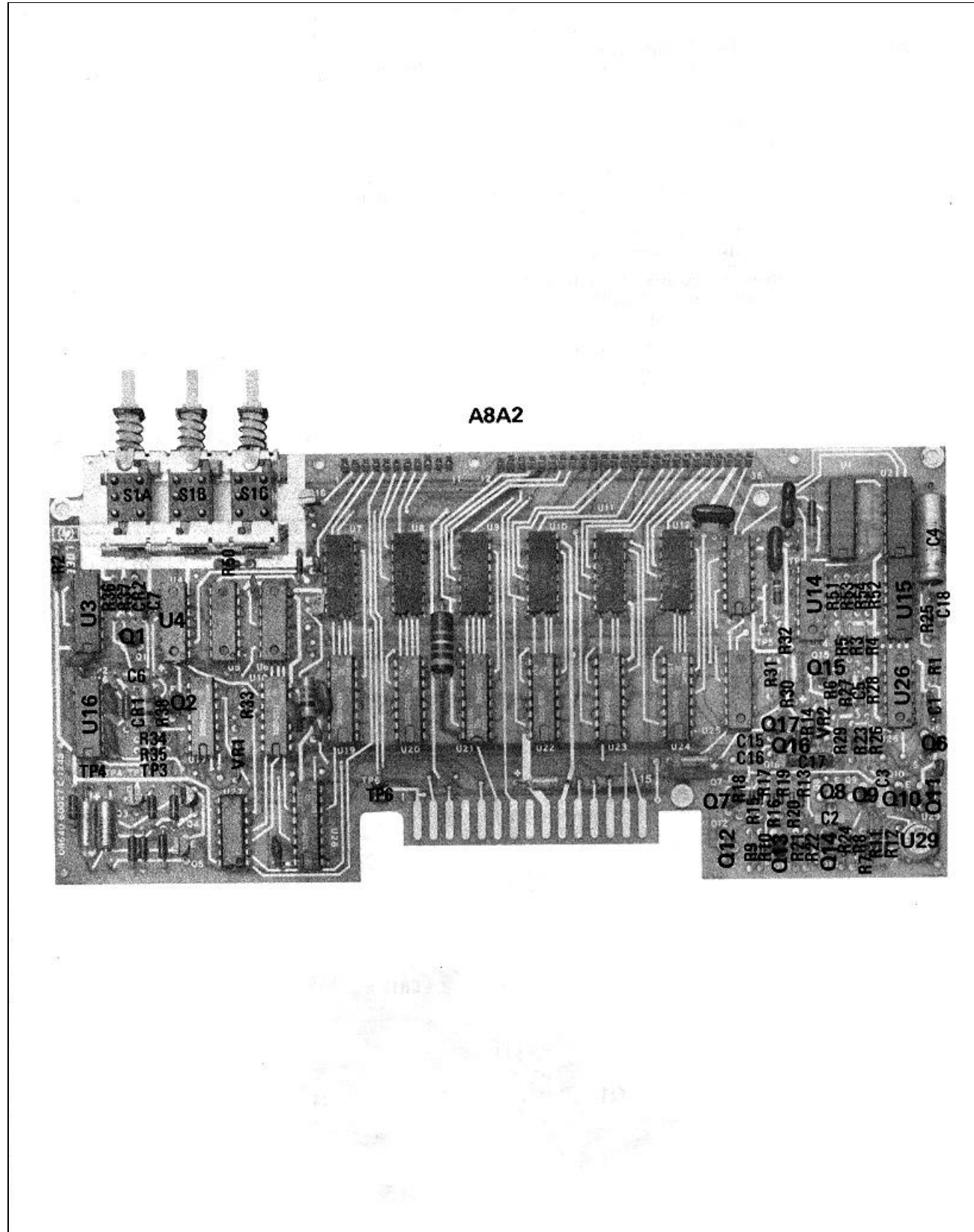


Figure 8-63. P/O A8A2 Counter/Lock Board Assembly Component Locations

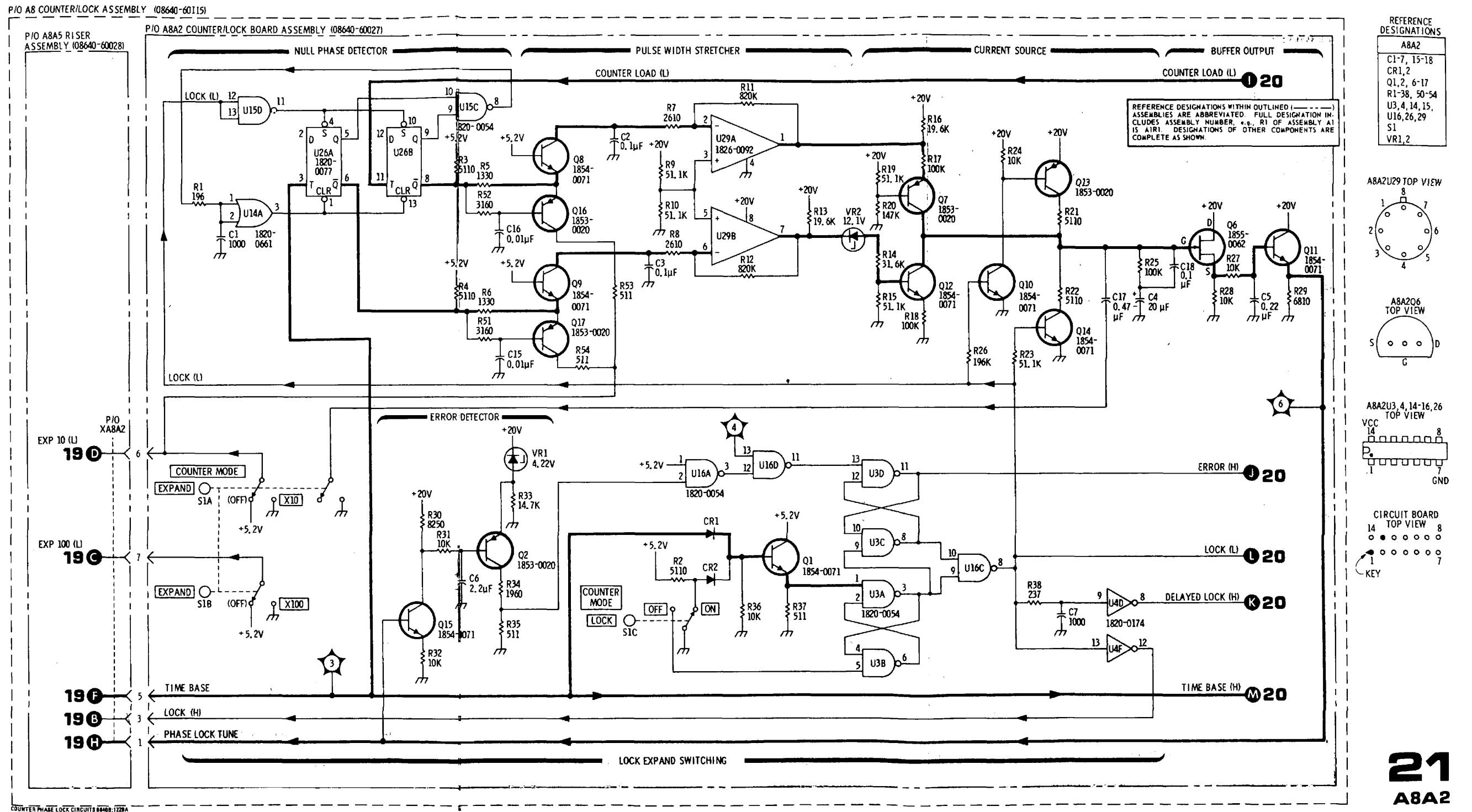


Figure 8-64. Counter Phase Lock Circuits Schematic Diagram

PRINCIPLES OF OPERATION

General

The power supply assemblies provide five regulated dc supply voltages. The characteristics and locations of each regulator are as follows:

Supply Voltage	Voltage Regulation	Limiting Current	Assembly Number	Service Sheet No.
+44.6V	±10 mV	1A	A20	22
+20V	±10 mV	0.7A	A22	22
+5.2V	±10 mV	2.25A	A20	22
-5.2V	±10 mV*	1.75A	A18	23
-20V	±10 mV	0.7A	A22	22

*With a temperature coefficient of -4.2 mV/° C.

Input Voltage (A12 and A14)

Main ac power enters the A14 Line Power Module, which contains the primary line fuse, an RFI filter, and a printed circuit card switch which matches the transformer primary windings to the appropriate line voltage. Power transformer T1 has a separate secondary winding for each regulator.

The A12 Rectifier Assembly contains five full-wave rectifiers and a crowbar to protect the instrument from excessively high line voltages. The crowbar is across the output of the rectifier bridge to the +44.6V regulator. If the rectified voltage exceeds 75V, breakdown diode VR1 conducts and triggers the gate of SCR A12Q1. Q1 then conducts and blows the primary fuse.

+5.2V Regulator (A20)

The +5.2V Regulator is a linear series type with current foldback for over-current protection and a crowbar for over-voltage protection. The Voltage Regulator amplifier U1 compares the output voltage with the (internal) divided-down reference voltage and drives transistor Q2 which in turn drives the Series Regulator Transistor Q1 (chassis mounted) to regulate the current through it.

Current foldback is activated when the voltage across (and hence the current through) R25 and R26 exceeds the voltage across R19. The base-to-emitter junction between pins 1 and 10 of U1 (see note on schematic) is then forward biased which reduces the drive to the Series Regulator transistor. As shown in Figure 8-65, short-circuit current is quite low.

The output crowbar consisting of Q1, VR6, R23, and R24 protects against over-voltage outputs (due for example to a shorted series pass transistor). An output voltage greater than about 6.2V triggers Q1 which conducts and causes current foldback or blows FI. Light-emitting diode DS2 is on only if the output voltage is high enough to allow CR5 to conduct but not high enough to activate the crowbar. Diode CR3 protects the regulator against reverse polarity load voltages. Diode CR4 protects Q1 against reverse bias.

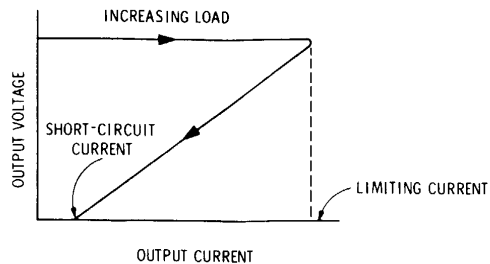


Figure 8-65. Current Foldback

+20V Regulator (A22)

The +20V regulator functions similarly to the +5.2V regulator, except that the output voltage is reduced by the voltage divider formed by R5, R6, and R7 and compared directly with the zener diode reference at pin 4 of U2. Also, the series pass transistor base-emitter junction is not in the current foldback circuit, resulting in a larger short-circuit output current.

-20V Regulator (A22)

The -20V regulator functions identically to the +20V regulator, except that the -20V output is taken from the point corresponding to the ground point on the +20V regulator, and the -20V ground return is connected to a point that corresponds to the +20V output. Also, the -20V regulator uses VR3 for a reference instead of the internal reference.

+44.6V Regulator (A20)

The +44.6V regulator functions similarly to the +5.2V regulator, except that the output voltage is reduced by the voltage divider formed by R7, R8, and R9 and is applied to the non-inverting input of the comparison amplifier of U2 (pin 3). The reference voltage is applied to the inverting input (pin 2). The Series Regulator transistor Q3 (chassis mounted) is in the regulator return line and is driven by Q4. The two transistors are in an inverted-Darlington configuration which is common emitter instead of emitter follower as in the +5.2V regulator. Components Q3, Q6, R1, and R2 form a constant

current source which sinks the current from pin 6 of U2 and the base of Q4. Q5 provides foldback current limiting.

TROUBLESHOOTING

It is assumed that one of the light-emitting diodes is not lit or that ripple, noise, or voltage from one of the power supplies is suspect. Troubleshoot by using the test equipment listed below, performing the initial test conditions, and following the procedures outlined in the text and the table.

Test Equipment

Digital Voltmeter..... HP 3480B/3484A
Oscilloscope..... HP 180A/1801A/1820C

Initial Test Conditions

Top cover removed (see Service Sheet F for removal procedure). Use extender board to extend desired assembly (set instrument LINE power switch to OFF while removing or inserting circuit boards).

Initial Control Settings

LINE.....ON

Rectifiers and Input Crowbar (A12)

If the Input Crowbar fires, causing the line fuse to blow, check the following:

1. Voltage Selection Card, P1, in A14 Line Power Assembly correctly set for line voltage.
2. All rectifier diodes and filter capacitors.
3. VR1, Q1, and associated components (Input Crowbar).

If one or two rectifier diodes in one of the bridge rectifiers are defective, ripple and noise could increase without affecting the supply's average voltage or output current. Use the oscilloscope to measure ripple and noise; connect the probe from the test points given below to chassis ground.

Supply	Test Point	Typical Ripple and Noise
+44.6V	A20TP1	<0.7 Vp-p
+20V	A22TP1	<0.5 Vp-p
+5.2V	A20TP6	<1 Vp-p
-20V	A22TP6	<0.3 Vp-p
-5.2V	A18TP1	<0.8 Vp-p

If one of the supplies is out of specification, check the rectifier diodes, filter capacitors, and associated components. Also check the Series Regulator transistor.

If noise on a supply appears to be excessive check the reference (either internal or external) and its associated filter capacitor and the regulator amplifier. Noise may either be of the broadband type (i.e., white noise) or it may consist of random jumps in level on the order of 1 mV (i.e., popcorn noise).

Regulator Circuits (A20 and A22)

The first step in solving a power supply problem is to ensure that the problem is caused by the power supply. Minimum load resistances are given in the table for each supply. However, depending upon the ohmmeter and resistance range used, measured resistance can vary from a few ohms to several kilohms. So unless the load is actually shorted to ground, measuring load resistance doesn't always isolate the problem.

Another way to isolate a power supply problem is to disconnect the supply from the load and check the supply voltage. The quickest way to do this is to unsolder and lift pins on the extender board. However, under some failure conditions, the regulator integrated circuit can regulate correctly with the load removed from the power supply and yet cannot regulate correctly when the supply has its correct load.

To isolate a power supply problem to a specific circuit, use the data given in the table.

NOTE

The voltmeter input must float (i.e., both connections must be ungrounded) when checking voltages with extender board pins open.

WARNING

Any adjustment, maintenance, and repair of the opened instrument under voltage should be avoided as much as possible and, if inevitable, should be carried out only by a skilled person who is aware of the hazard involved.

Capacitors inside the instrument may still be charged even if the instrument has been disconnected from its source of supply.

Counter Phase Lock Circuits (A8A2)
← SERVICE SHEET

Make sure that only fuses with the required rated current and of the specified type (normal blow time delay, etc.) are used for replacement. The use of repaired fuses and the short-circuiting of fuseholders must be avoided.

Whenever it is likely that the protection has been impaired, the instrument must be made inoperative and be secured against any unintended operation.

Any interruption of the protective (grounding) conductor inside or outside the instrument or disconnection of the protective earth terminal is likely to make the instrument dangerous. Intentional interruption is prohibited.

Power Supply Troubleshooting (1 of 2)

Component or Circuit	Test Conditions and Control Settings	Normal Indication	If Indication is Abnormal
-20V REGULATOR	Remove A22 assembly. Measure resistance from A17XA22-1 to chassis ground. Open pins 5 and 26 on extender board. Extend A22 assembly and check voltage from A22 board pin 5 to A20TP9. Check diodes and transistors for correct operation with voltage applied. Check components for correct resistance.	>30 Ω -20 ± 0.1V circuits Correct operation and resistance	Check supply load circuits for short Check A22U1 and supply load Replace faulty component
+20V REGULATOR	Remove A22 assembly. Measure resistance from A17XA22-7 to chassis ground. Open pins 7 and 24 on extender board. Extend A22 assy and check voltage from A22TP5 to TP4. Check diodes and transistors for correct operation with voltage applied. Check components for correct resistance.	>26Ω +20 ± 0.1V circuits. Correct operation and resistance	Check supply load circuits for short Check A22U2 and supply load Replace faulty component
+5.2V REGULATOR	Remove A20 assy. Measure resistance from A17XA20-4, 7 to chassis ground. Open pins 4, 27, 7, and 24 on extender board. Extend A20 assy and check voltage from A20 board pin 1 to A20TP10. Check diodes and transistors for correct operation with voltage applied. Check components for correct resistance.	>3Ω +5.2 ± 0.15V load circuits Correct operation and resistance	Check supply load circuits for short Check A20U1 and supply Replace faulty component
+44.6V REGULATOR	Remove A20 assy. Measure resistance from A17XA20-15 to chassis ground. Open pins 13 and 18 on extender board. Extend A20 assy and check voltage from A20 board pin 13 to A20TP4. Check diodes and transistors for correct operation with voltage applied. Check components for correct resistance.	>45Ω for short +44.6 ± 0.1V load circuits Correct operation and resistance	Check supply load circuits for short Check A20U2 and supply Replace faulty component

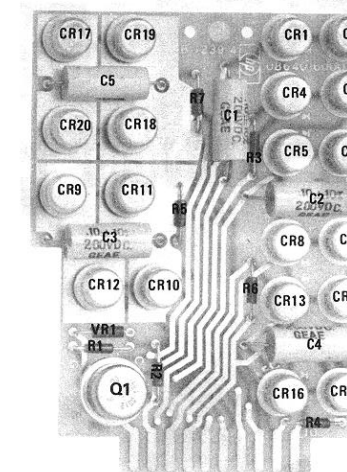


Figure 8-66. A12 Rectifier Assembly Component Locations

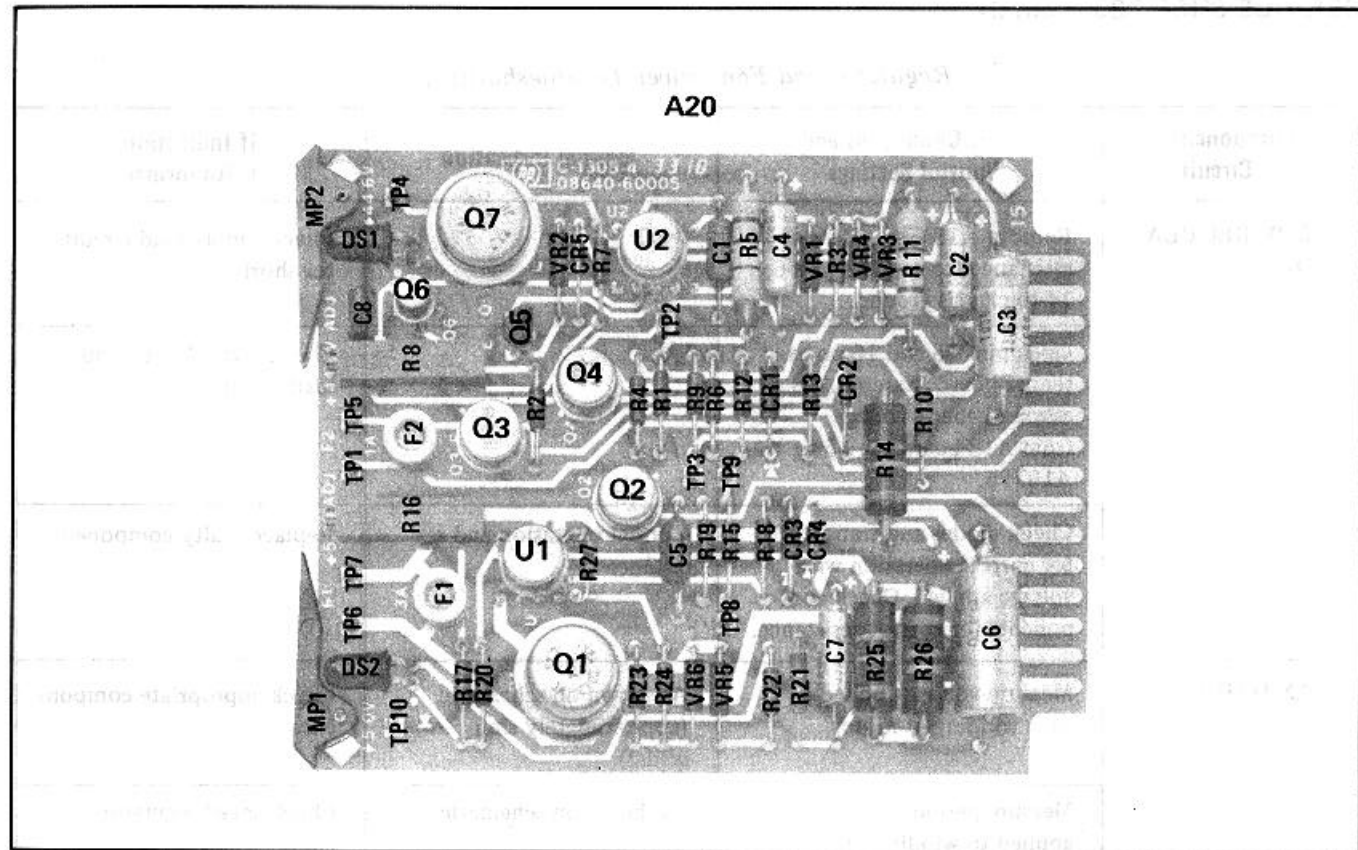


Figure 8-67. A20 + 5.2 V and + 44.6V Regulator Assembly Component Locations

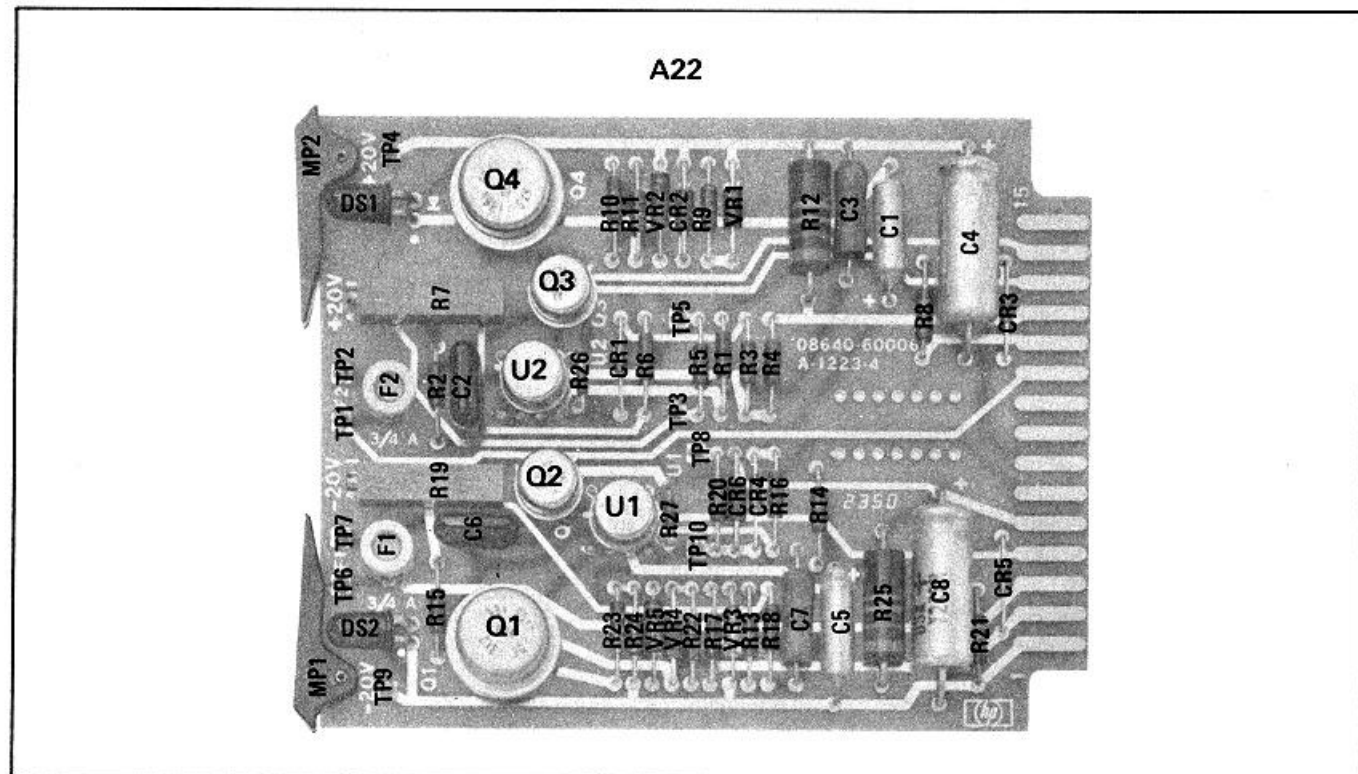


Figure 8-68. A22+20V and -20V Regulator Assembly Component Locations

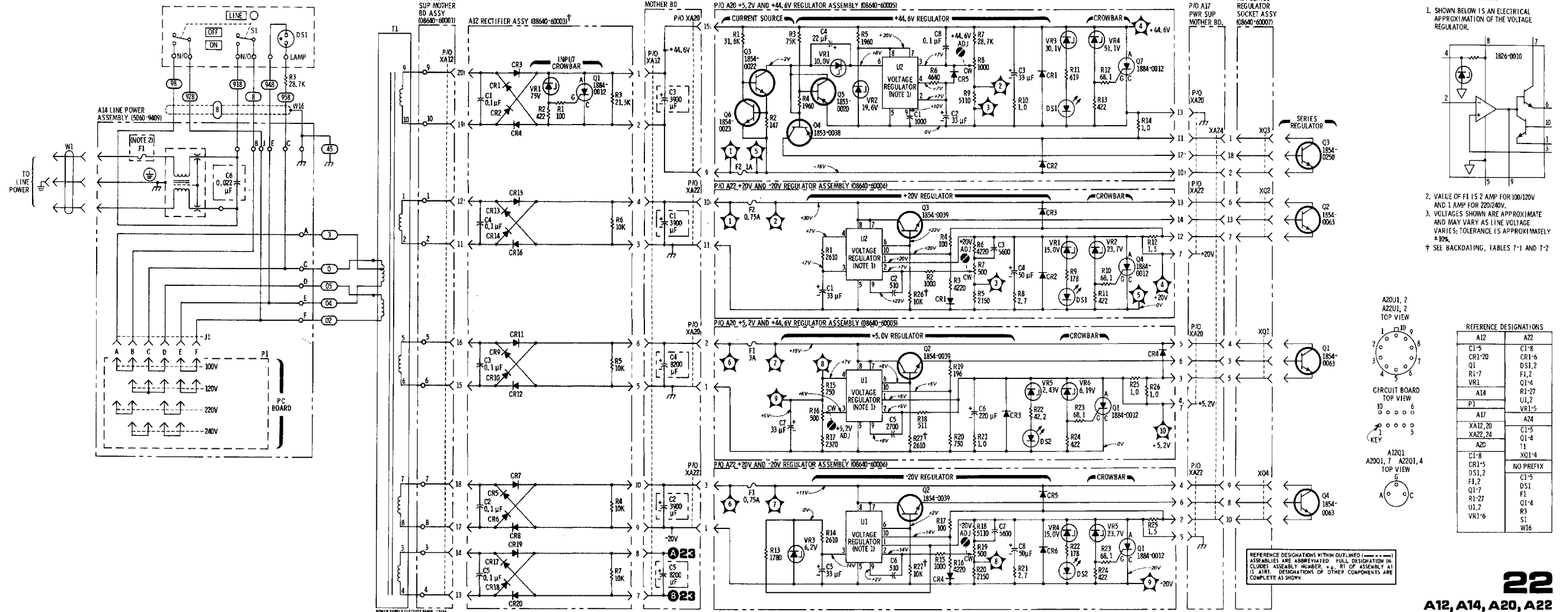
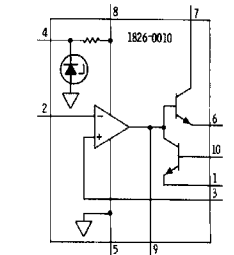


Figure 8-69. Power Supply Circuits Schematic Diagram.

NOTES
1. SHOWN BELOW IS AN ELECTRICAL APPROXIMATION OF THE VOLTAGE REGULATOR.



2. VALUE OF F1 IS 2 AMP FOR 100/120V AND 1 AMP FOR 220/240V.
3. VOLTAGES SHOWN ARE APPROXIMATE AND MAY VARY AS LINE VOLTAGE VARIES; TOLERANCE IS APPROXIMATELY ±10%.
† SEE BACKMATING, TABLES 7-1 AND 7-2

REFERENCE DESIGNATIONS

A12	A22
C1-5	C1-8
CR1-20	CR1-6
Q1	DS1,2
R1-7	F1,2
VR1	Q1-4
A14	R1-27
P1	U1,2
A17	VR1-5
XA12,24	A24
A20	1
1	XQ1-4
C1-8	NO PREFIX
CR1-5	
DS1,2	
F1,2	
Q1-7	
R1-27	
U1,2	
R3	
S1	
W16	

22
A12, A14, A20, A22

PRINCIPLES OF OPERATION

-5.2V Regulator (A18)

The -5.2V regulator functions similarly to the +5.2V regulator described on Service Sheet 22, except that the -5.2V output is taken from the point corresponding to the ground point on the +5.2V regulator, and the -5.2V ground return is connected to a point that corresponds to the +5.2V output. In addition, diodes CR2 and CR3 give the output voltage a small negative temperature coefficient.

Fan Motor and Fan Driver (A18)

Fan Motor A16B1 is a brushless, dc motor comprising a cylindrical, permanent magnet rotor and a four-section stator winding. The motor's stator windings are energized sequentially by the Fan Driver circuit. Two Hall generators are located on the stator, 90° apart. In the presence of a magnetic field, each Hall generator will produce two out-of-phase voltages at its two output terminals. The magnitude of the voltage is proportional to the strength of the field and the amount of bias current. The phase is determined by the polarity of the field. The Hall generators sense the position of the rotor and turn on the appropriate drive transistors.

Fan Speed Regulator (A18)

An emf which is proportional to rotor speed is generated in the unenergized stator windings. Diodes CR1, CR4, CR7, and CR11 detect this emf and charge C4 to a negative voltage. Current source Q1 discharges C4 at a constant rate. The voltage across C4 plus the constant voltage drop across R15 is the base voltage of Q4. If rotor speed decreases, the voltage across C4 becomes less negative, the base of Q4 becomes more positive and Q4 more heavily biases the Hall generators. The drive transistors turn on harder and rotor speed increases.

TROUBLESHOOTING

It is assumed that the light-emitting diode is unlit or that ripple, noise, or voltage from the -5.2V power supply is suspect, or that the fan is operating erratically or not at all. Troubleshoot by using the test equipment listed below, performing the initial test conditions, and following the procedures outlined in the text and the table.

Test Equipment

Digital Voltmeter HP 3480B/3484A
Oscilloscope..... HP 180A/1801A/1820C

Initial Test Conditions

Top cover removed (see Service Sheet F for removal procedure). Use extender board to extend desired assembly (set instrument LINE power switch to OFF while removing or inserting circuit boards).

Initial Control Settings

LINE..... ON

Regulator Circuits (A18)

The first step in solving a power supply problem is to ensure that the problem is caused by the power supply. Minimum load resistances are given below for the supply. However, depending upon the ohmmeter and resistance range used, measured resistance can vary from a few ohms to several kilohms. So unless the load is actually shorted to ground, measuring load resistance doesn't isolate the problem.

Another way to isolate a power supply problem is to disconnect the supply from the load and check the supply voltage. The quickest way to do this is to unsolder and lift pins on the extender board. However under some failure conditions, the regulator integrated circuit can regulate correctly with the load removed from the power supply and yet cannot regulate correctly when the supply has its correct load.

To isolate a power supply problem to a specific circuit, use the data given in the table.

NOTE

The voltmeter input must float (i.e., both connectors must be ungrounded) when checking voltages with extender board pins open.

Fan Driver and Speed Regulator (A18)

If one or two of the fan's windings are open or are not being supplied with the correct voltage, the fan may not start in all positions. However, once started, it may run correctly. Use the data given in the table to isolate a problem to a specific circuit. Also check that the fan blade does not hit against the rear vent. If it does, loosen the setscrew and slide the blade forward.

**← Power Supply Circuits (A12, A14, A20, A22)
← SERVICE SHEET 22**

SERVICE SHEET 23 (Cont'd)

Regulator and Fan Driver Troubleshooting

Component or Circuit	Test Conditions and Control Settings	Normal Indication	If Indication is Abnormal
-5.2V REGULATOR	Remove A18 Assy. Measure resistance from A17XA18-6, 14 to chassis ground.	>392	Check supply load circuits for short
	Open pins 15 and 16 on extender board. Extend A18 Assy and check voltage from A18 board pin 15 to A18TP5.	-5.2 ± 0.1V	Check A18U1 and supply load circuits
	Check diodes and transistors for correct operation with voltage applied. Check components for correct resistance.	Correct operation and resistance	Replace faulty component
FAN DRIVER	Measure voltage applied to each winding of motor	As shown on schematic (approximately sinusoidal)	Check appropriate components.
	Measure period of voltages applied to windings of motor	As shown on schematic	Check speed regulator circuits

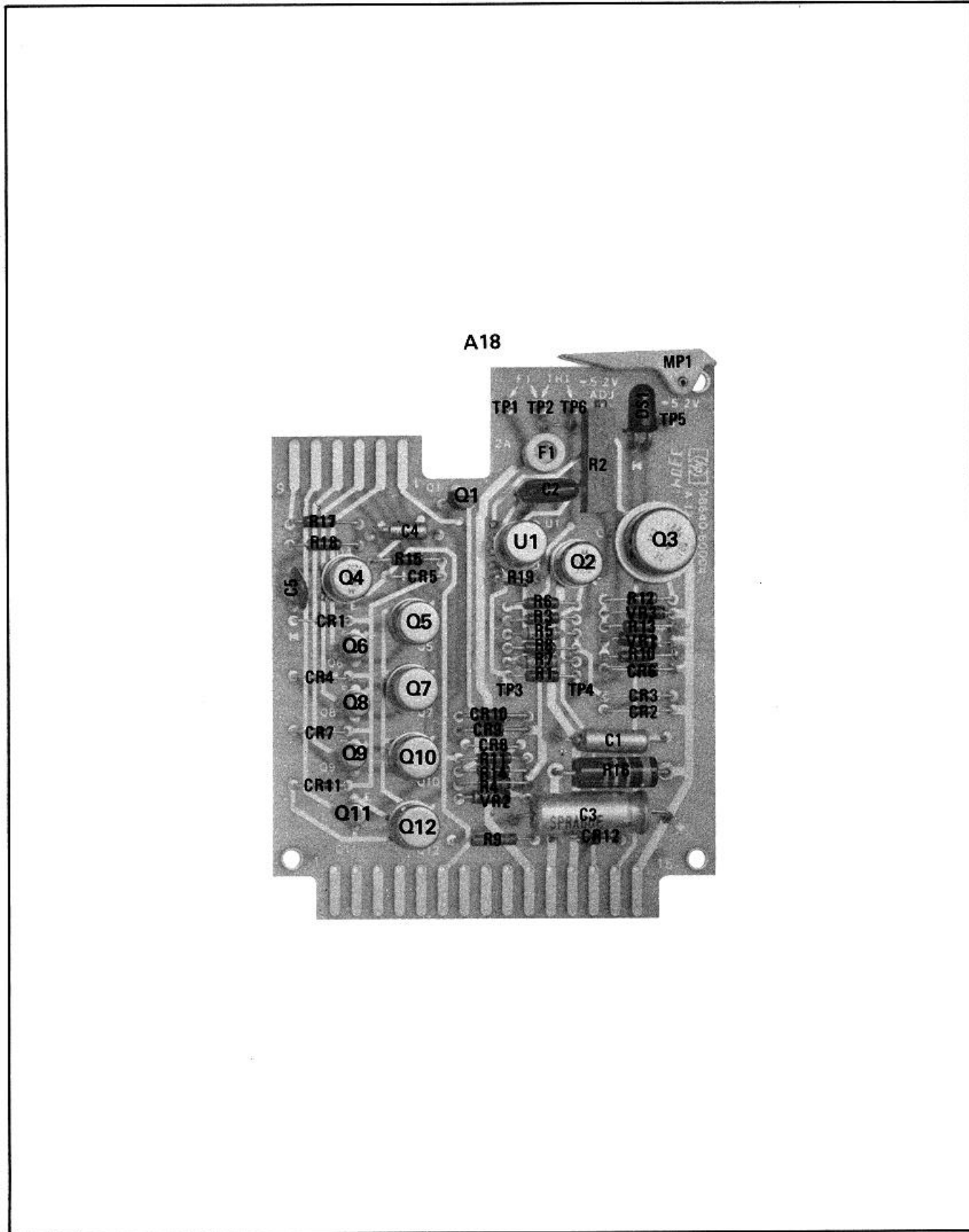


Figure 8-70. A18-5.2V Regulator and Fan Driver Assembly Component Locations

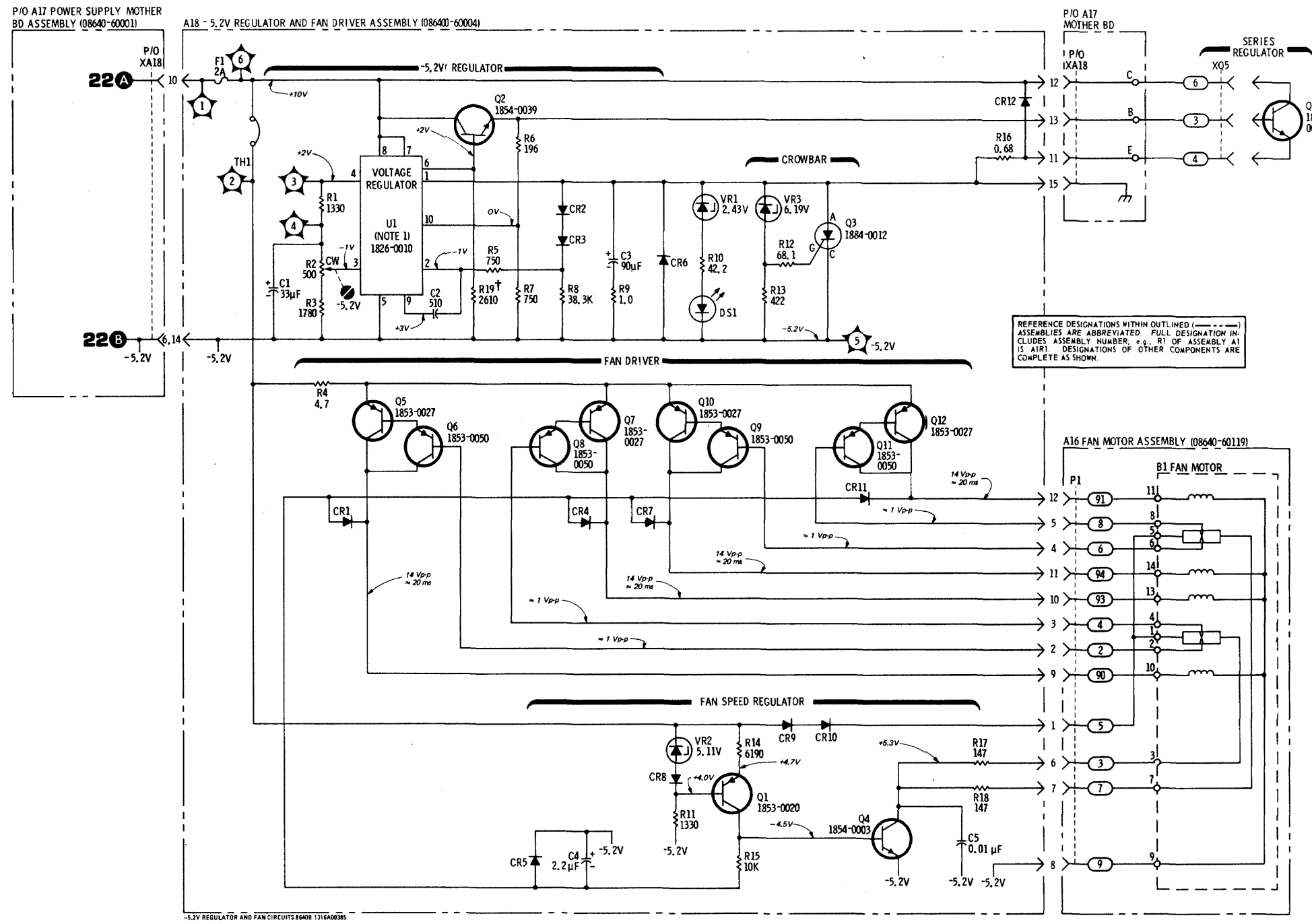
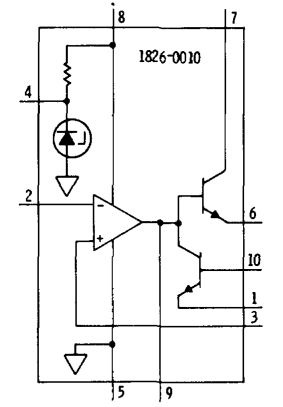


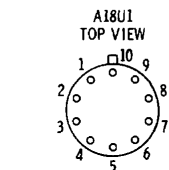
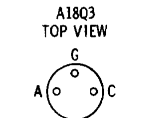
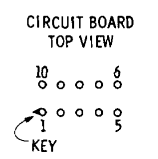
Figure 8-71. -5.2V Regulator and Fan Circuits Schematic Diagram

8-65/(8-66 blank)

NOTES
1. SHOWN BELOW IS AN ELECTRICAL APPROXIMATION OF THE VOLTAGE REGULATOR.



† SEE BACKDATING, TABLES 7-1 AND 7-2.



REFERENCE DESIGNATIONS	
A18	A16
C1-5	P1
CR1-12	B1
D51	NO PREFIX
F1	
Q1-12	Q5
R1-18	
U1	
VR1-3	

← -5.2V Regulator and Fan Circuits (A16, A18)
SERVICE SHEET 23

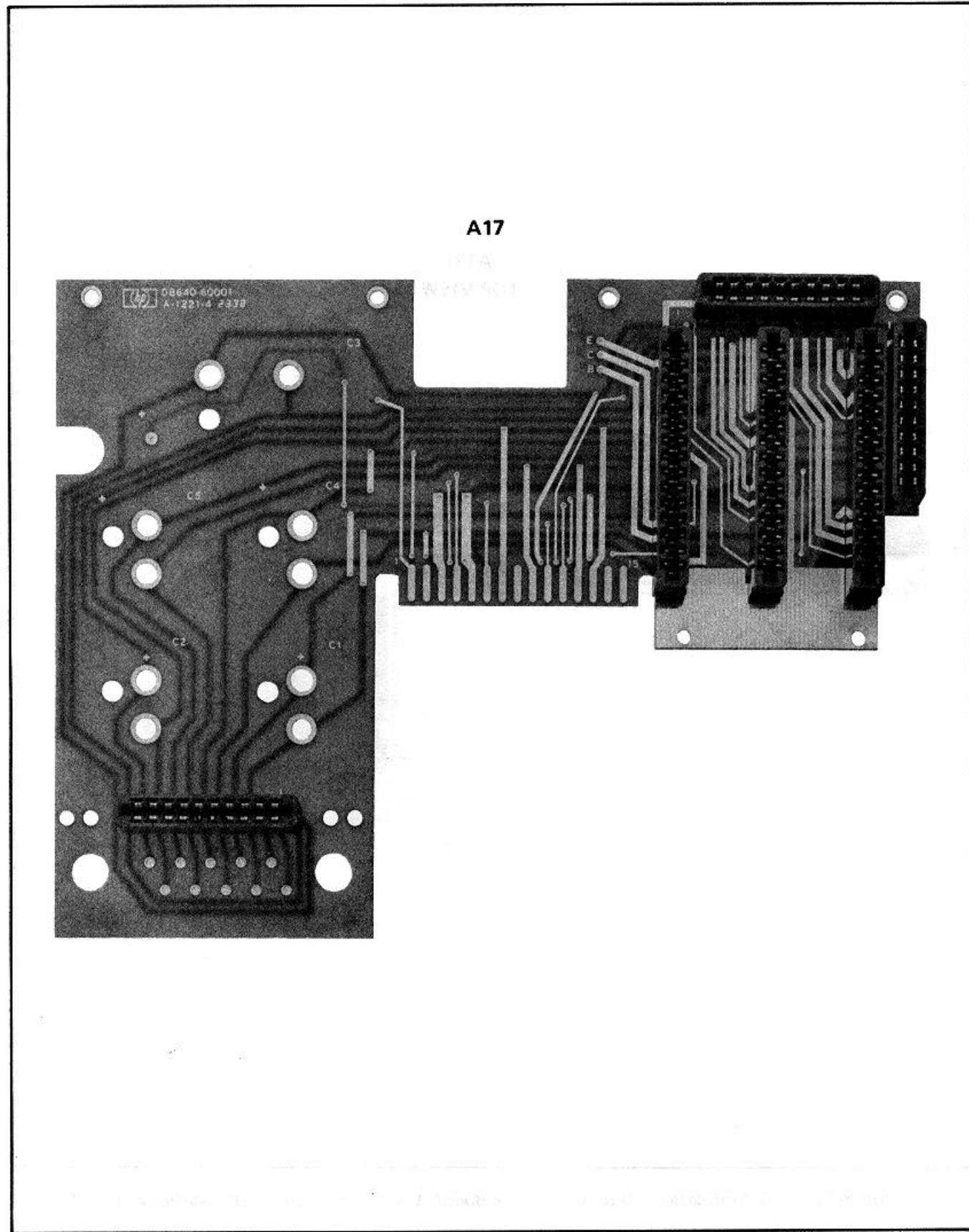


Figure 8-72. A17 Power Supply Mother Board Assembly Component Locations

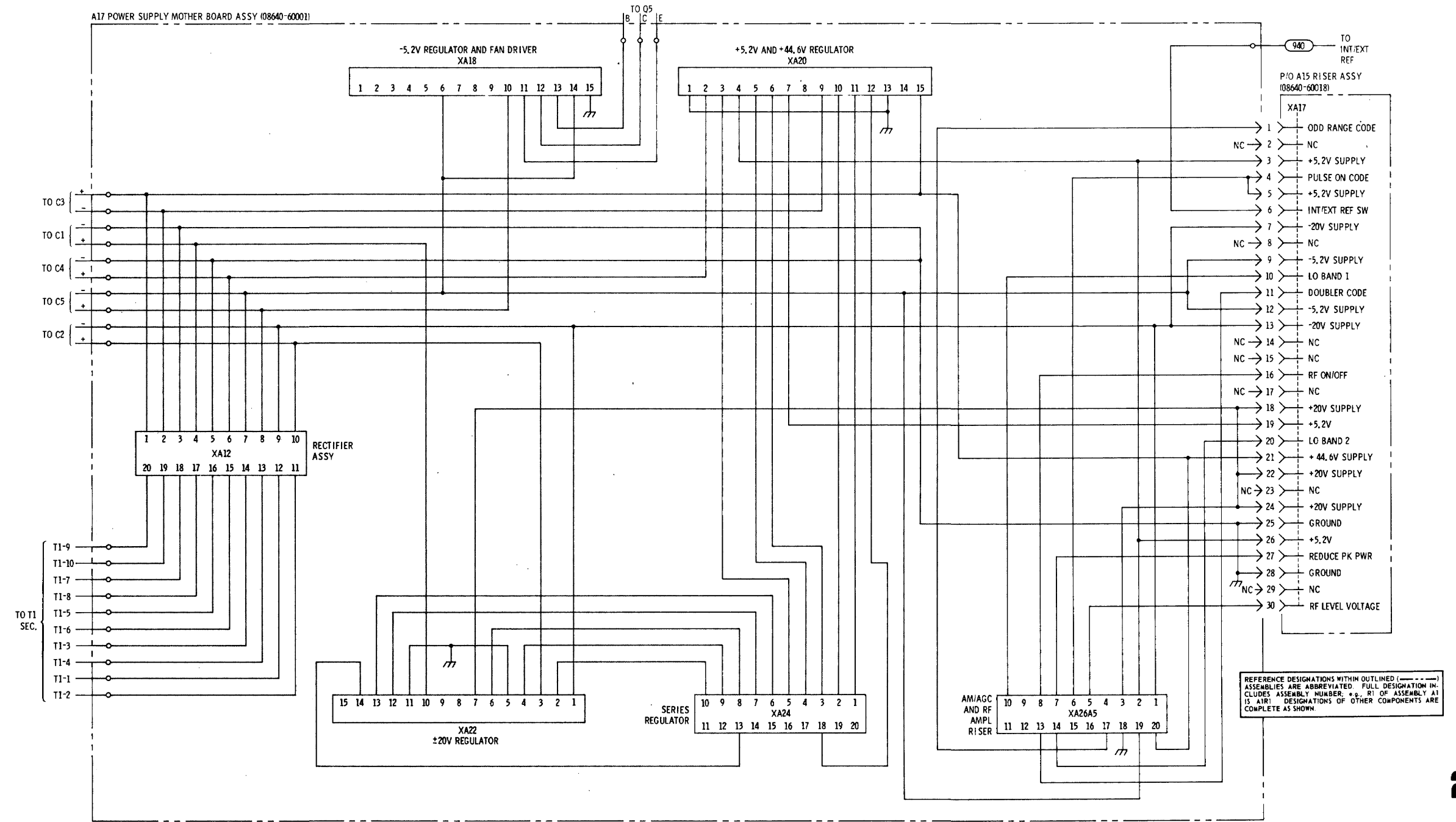


Figure 8-73. Power Supply Mother Board Schematic Diagram

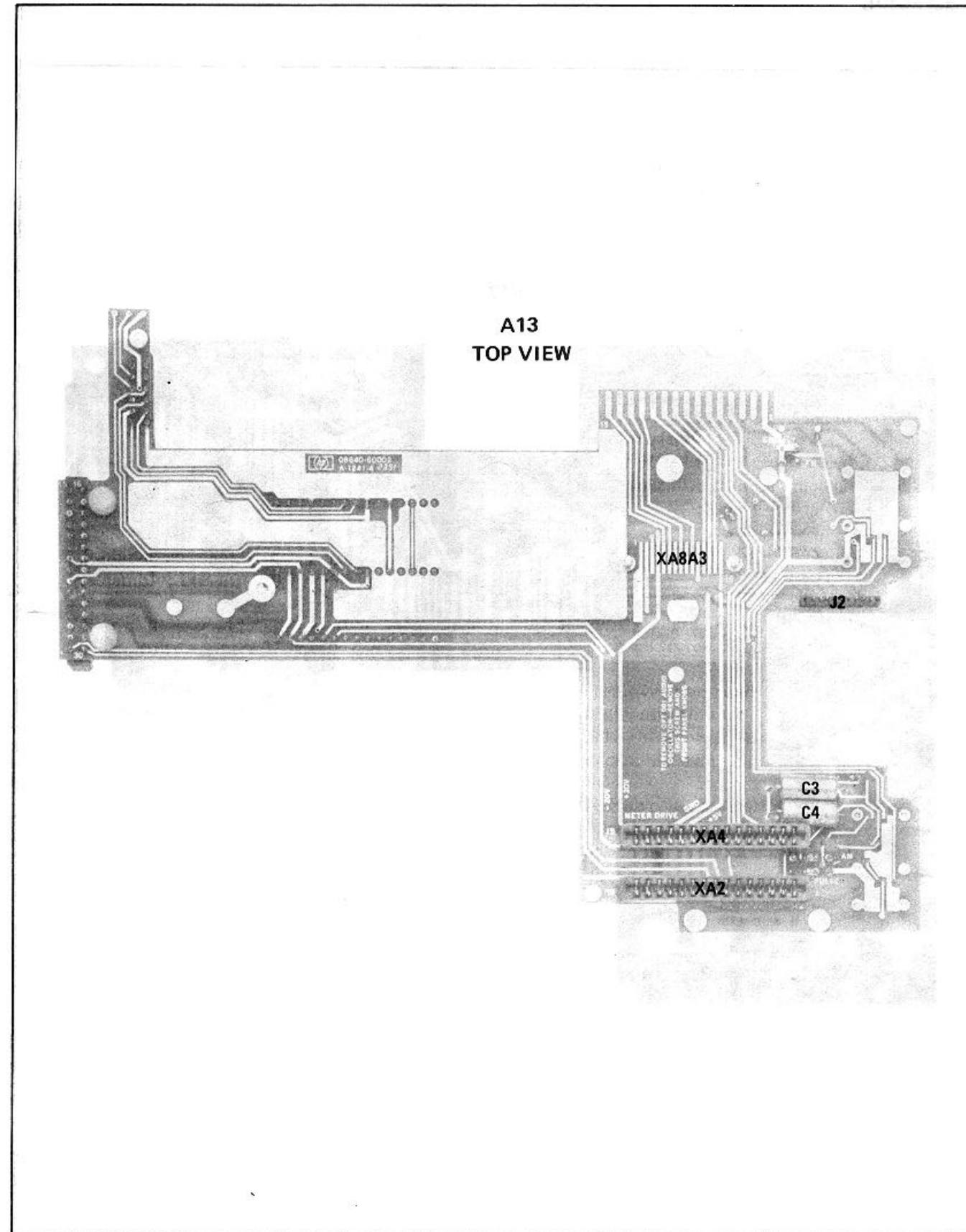


Figure 8-74. A13 Modulation/Metering Mother Board Assembly Component Locations (1 of 2)

SERVICE SHEET A

A1 Assembly Removal Procedure

1. Place instrument upside down and remove bottom cover (Service Sheet F).

CAUTION

While working with and around the semi-rigid coaxial cables in the generator, do not bend the cables more than necessary. Do not torque the RF connectors to more than 2 inch-pounds.

2. Remove two OUTPUT LEVEL knobs and cursor disc from front panel. The knobs and disc are secured to concentric shafts with allen screws in the knobs.
3. Disconnect two semi-rigid coaxial cables from bottom of the A1A2 Output Attenuator Assy (cable W10 at A1A2J1 and cable W11 at A1A2J2).

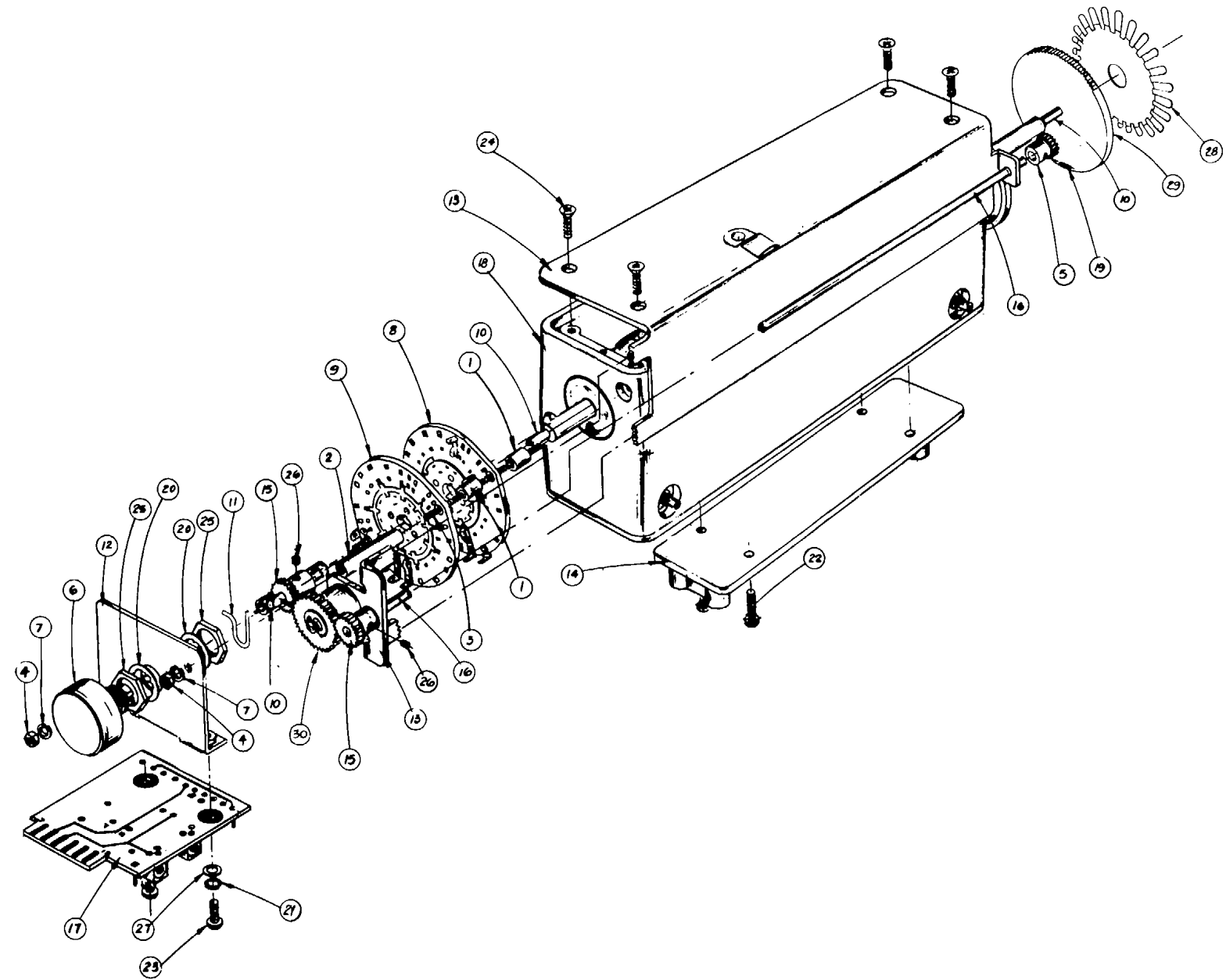
4. Disconnect plug P2 from A1A1 RF Vernier Assy (located at rear of A1 Output Level Assy).
5. Disconnect two semi-rigid coaxial cables from bottom of AS Counter/Lock Assy (cable W2 at A8A1J2 and cable W14 at A8A11).
6. Remove front side plate cover (item 14 in Figure 6-1) from right-hand side frame by removing two flat-head screws.
7. Remove four pan-head screws (with lockwashers) that secure Attenuator to mounting plate (it is not necessary to remove the mounting plate). Remove assembly by sliding it to the rear and up; use care to avoid damage to gears at front of assembly.
8. Reinstall assembly by reversing the procedure in steps one through seven.

Modulation/Metering Mother Board (A13)
←SERVICE SHEET 25

SERVICE SHEET A (Cont'd)

A1 Output Level Assembly Legend

Item Number	Reference Designator	Description
1	A1MP1	Spacer Post
2	A1MP2	Spacer Post
3	A1MP3	Threaded Rod
4	A1MP4	Hex Nut
5	A1MP5	Spur Gear
6	A1R1A/B	Potentiometer
7	A1MP7	Lock washer
8	A1MP8	Switch Section
9	A1MP9	Switch Section
10	A1MP10	Inner Shaft
11	A1MP11	Coupler
12	A1MP12	P.C. Board Support
13	A1MP13	Gear Assembly Support
14	A1MP14	Attenuator Support
15	A1MP15	Spur Gear
16	A1MP16	Gear Shaft
17	A1A1	R.F. Vernier Assembly
18	A1A2	Output Attenuator Assembly
19	A1MP19	Pin
20	A1MP20	Lock washer
21	A1MP21	Lock washer
22	A1MP22	Machine Screw
23	A1MP23	Machine Screw
24	A1MP24	Machine Screw
25	A1MP25	Hex Nut
26	A1MP26	Setscrew
27	A1MP27	Brass Washer
28	MP55	Attenuator Shield
29	MP80	Spur Gear
30	A1MP28	Spur Gear



A

Figure 8-76. A1 Output Level Assembly Illustrated Parts Breakdown

SERVICE SHEET B

A8 Assembly Removal and Disassembly Procedure

A8 Casting Cover Removal

1. Place instrument right side up and remove top cover (see Service Sheet F).
2. Remove trim strip (extrusion) that overlaps front of A8 Assembly casting by removing two flat-head screws. Remove plastic front panel window by lifting it up and out.
3. Remove three pan-head screws on front of casting and remove the button shield. Remove eight pan-head screws (with lockwashers) that secure casting cover to casting (screws marked with asterisk * - on casting cover).
4. Lift cover from two "honey comb" RF shields and casting.

A8A2 and A8A4 Removal

5. Remove two pan-head screws (with lockwashers) that secure the A8A2 Assembly. Remove A8A2 Counter/Lock Board Assembly and A8A5 Riser Assembly by lifting at the riser; the A8A4 Counter Display Assembly is attached to the A8A2 Assembly do not damage the brass LED/button shield while removing the assemblies.

NOTE

The A8A2 and A8A4 Assemblies can be extended for service by removing the A8A5 Riser Assembly from A8A2 and installing A8A2 on the extender board in the riser socket (A8A3XA8A5). This also gives access to the A8A3 Time Base Assembly.

CAUTION

Do not remove A8A4 from A8A2 unless necessary. If it has been removed, exercise care during reassembly to avoid bending the connector pins and sockets.

A8A1 Access

WARNING

The edges of the RFI gasket may be sharp and may cause personal injury if not handled with care.

6. To gain access to the A8A1 RF Scaler Assembly, remove six pan-head screws (with lockwashers) that secure the cover shield. Remove the cover shield and gasket.

A8 Removal

NOTE

The entire A8 Assembly must be removed from the chassis to remove the A8A1 and A8A3 Assemblies.

Do not attempt to replace components on the A8A1 and A8A3 Assemblies (except A8A1U3) without removing the boards.

7. Turn instrument upside down and remove bottom cover (see Service Sheet F).

CAUTION

While working with and around the semi-rigid coaxial cables in the generator, do not bend the cables more than necessary. Do not torque the RF connectors to more than 2 inch-pounds.

8. Disconnect two semi-rigid coaxial cables from bottom of A8 Assembly (cable W2 at A8A1J2 and cable W14 at A8A1J1). Disconnect green flexible coaxial cable from bottom of A8 Assembly (cable W15 at A8A3J1).
9. Turn instrument right side up. Remove A8 Assembly by removing four pan-head screws (with lockwashers) that secure the A8 Assembly to the chassis.

A8A1 Removal

10. Remove two pan-head screws that secure A8A1U3; remove two lockwashers, two washers, and two nylon bushings. Remove A8A1U3 and two mica washers.
11. On bottom of A8 Assembly casting, under A8A1 Assembly, remove hex nut and lockwasher. Remove two hex nuts and lockwashers that secure coaxial connectors A8A1J1 and J2.

Model 8640B

SERVICE SHEET B (Cont'd)

12. Unsolder five wires from feedthroughs to left of A8A1 Assembly. Remove A8A1.

A8A3 Removal

13. On bottom of A8 Assembly casting, under A8A3 Assembly, remove hex nut and lockwasher that secure A8A3J1.
14. Unsolder five wires from feedthroughs to right of A8A3 Assembly.
15. Remove two board supports and pan-head screw (with lockwashers). Remove A8A3.

Reassembly

16. Reassemble and reinstall A8 Assembly by reversing the procedures in steps one through 15.

NOTES

1. When replacing the casting top cover be sure that the prongs on the brass RFI shield are behind the casting wall.
2. The button shield must be carefully aligned to be sure that the buttons do not catch on the edges of the holes. Check the action of all the COUNTER MODE buttons when the window is replaced.

SERVICE SHEET B (Cont'd)

A8 Counter/Lock Assembly Legend

Item Number	Reference Designator	Description
1	A8FL1-4	Feed Thru Filter
2	A8C1-4	Feed Thru Capacitor
3	A8C5,6	Feed Thru Capacitor
4	A8MP1	Bushing Insulator (Nylon)
5	A8U1-6	Numeric Display
6	A8MP2	Lockwasher
7	A8MP3	Mica Washer
8	A8MP4	Center Filter Gasket
9	A8MP5	Center Scaler Gasket
10	A8L1-5	Inductor
12	A8MP6	LED/Button Shield
13	A8MP7	Center Filter Cover
14	A8MP8	Large Frame (RF Shield)
15	A8MP9	Small Frame (RF Shield)
16	A8MP10	Center Input Cover Shield
17	A8 MP11	Heat Sink
18	A8MP12	Counter Window
19	A8MP13	P.C. Board Support
20	A8MP14	Button Shield
21	A8MP15	Top Casting Cover
22	A8MP16	Bottom Casting
23	A8MP17	Light Pipe
25	A8MP18	Light Pipe
26	A8A4	Counter/Display Assembly
27	A8A3	Time Base Assembly
28	A8A2	Counter/Lock Assembly
29	A8A5	Counter Riser Board
30	A8A1	R.F. Scaler Assembly
31	A8MP19	X10 Button
32	A8MP20	X100 Button
33	A8MP21	ON Button
34	A8MP22	INT Button
35	A8MP23	EXT Button
36	A8MP24	Flat Washer
37	A8MP25	Lockwasher
38	A8MP26	Machine Screw
39	A8MP27	Machine Screw
40	A8MP28	Machine Screw
41	A8MP29	Lockwasher
42	A8MP30	Hex Nut
43	A8MP31	Flat Head Screw
44	A8MP32	Counter Insulator
45	A8MP33	Machine Screw
46	A8MP34	Machine Screw
47	A8MP35	Lockwasher
48	A8MP36	Machine Screw
50	A8MP37	Machine Screw
51	A8MP38	Machine Screw
52	A8MP39	Blind Dome Rivet

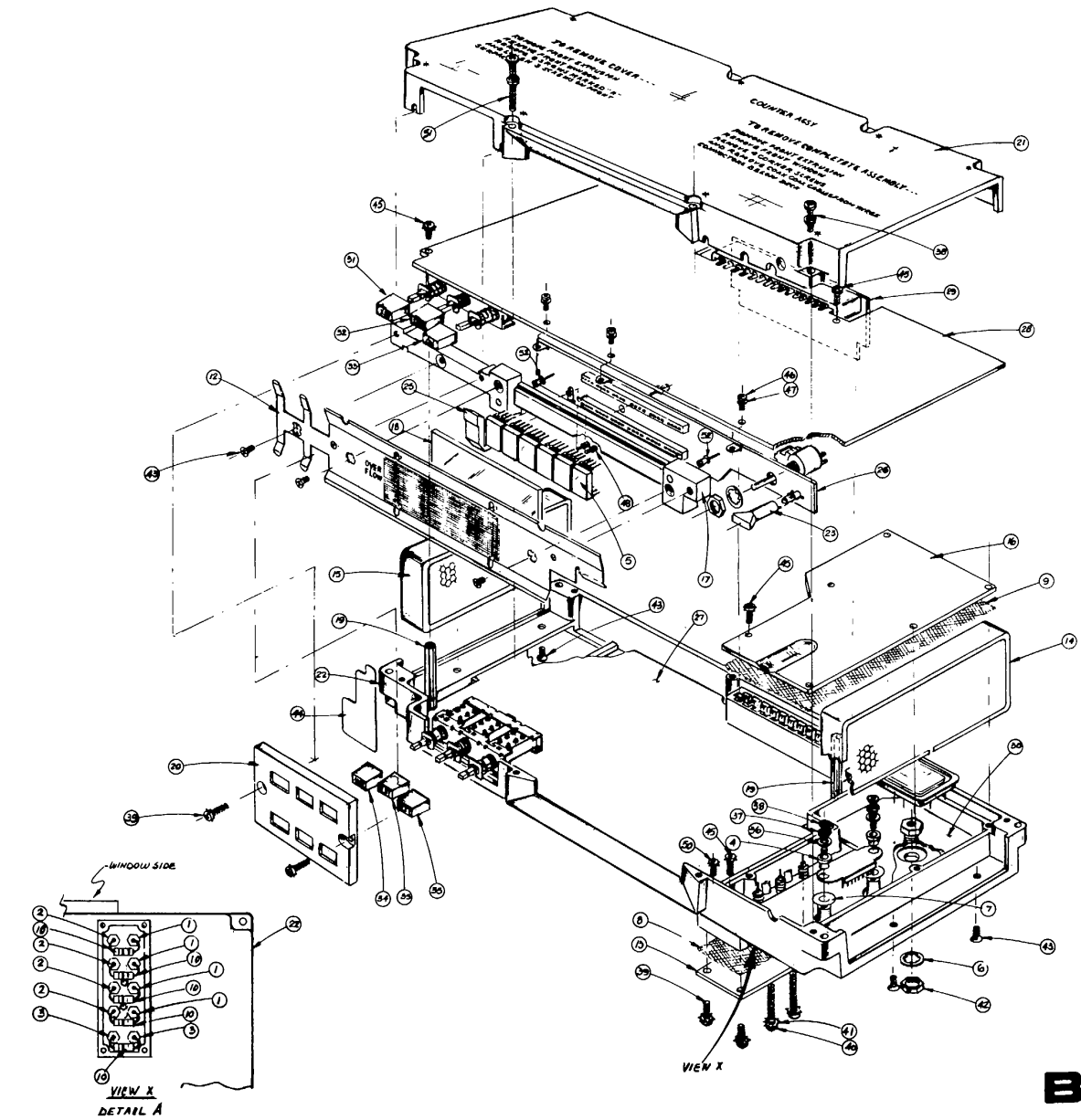


Figure 8-77. A8 Counter/Lock Assembly Illustrates Parts Breakdown

SERVICE SHEET C**A9 Assembly Removal Procedure**

1. Set PEAK DEVIATION and RANGE switches fully counterclockwise.
2. Remove PEAK DEVIATION and RANGE switch knobs. The knobs are secured to their shafts with allen screws in the knobs.
3. Place instrument upside down and remove bottom cover (see Service Sheet F).
4. Loosen coupling between RANGE switch shaft and A10 Divider/Filter Assembly.
5. Remove two nuts and lockwashers that secure A9 Assembly to front panel (located at switch bushings).
6. Remove connector A9P1 from jack on A13 Assembly. Lift out A9 Assembly.
7. Reinstall assembly by setting both switch shafts fully counterclockwise and reversing the procedures in steps one through six.

NOTES

1. The detents of both the A9 Assembly and A10 Assembly switches must align and correspond to the same positions. Check that the actual RF output frequency agrees with the counter indication on all bands.

2. Adjust the coupler longitudinally for minimum binding and tighten the setscrews very securely.

A11 Assembly Removal Procedure*A11 Removal (Standard)*

1. Remove bottom cover from instrument (see Service Sheet F).
2. Set MODULATION FREQUENCY knob to 400 Hz. Remove MODULATION FREQUENCY knob. The knob is secured to its shaft with allen screws.

3. Remove A11 Assembly by gently lifting the board extractor at rear of board and sliding assembly to the rear and out of chassis.
4. To connect A11 Assembly for service, place assembly on extender board and install in chassis. Reinstall MODULATION FREQUENCY knob with 400 Hz position toward top of instrument.

A11 Removal (Option 001)

1. Remove top and bottom covers from instrument (see Service Sheet F).
2. Set MODULATION FREQUENCY knob to 400 Hz (fixed). Remove MODULATION FREQUENCY knob, vernier knob, and cursor disc and gear. The knobs are secured to concentric shafts with allen screws in the knobs.

CAUTION

When removing cursor disc and gear, gently slide it off the shaft to avoid damage to the disc.

3. Remove pan-head screw (with washer and lockwasher) that secures A11 Assembly to A13 Mother Board Assembly. The screw is accessible from top of instrument.
4. Remove A11 Assembly by gently lifting the board extractor at rear of board and sliding assembly to rear and out of chassis.
5. To connect A11 Assembly for service, place assembly on extender board and install in chassis. Reinstall cursor disc and gear, MODULATION FREQUENCY knob, and vernier knob. 400 Hz position of knob should be toward top of instrument.

A11 Reinstallation

6. Reinstall A11 Assembly by reversing the procedures in steps one through four or five.

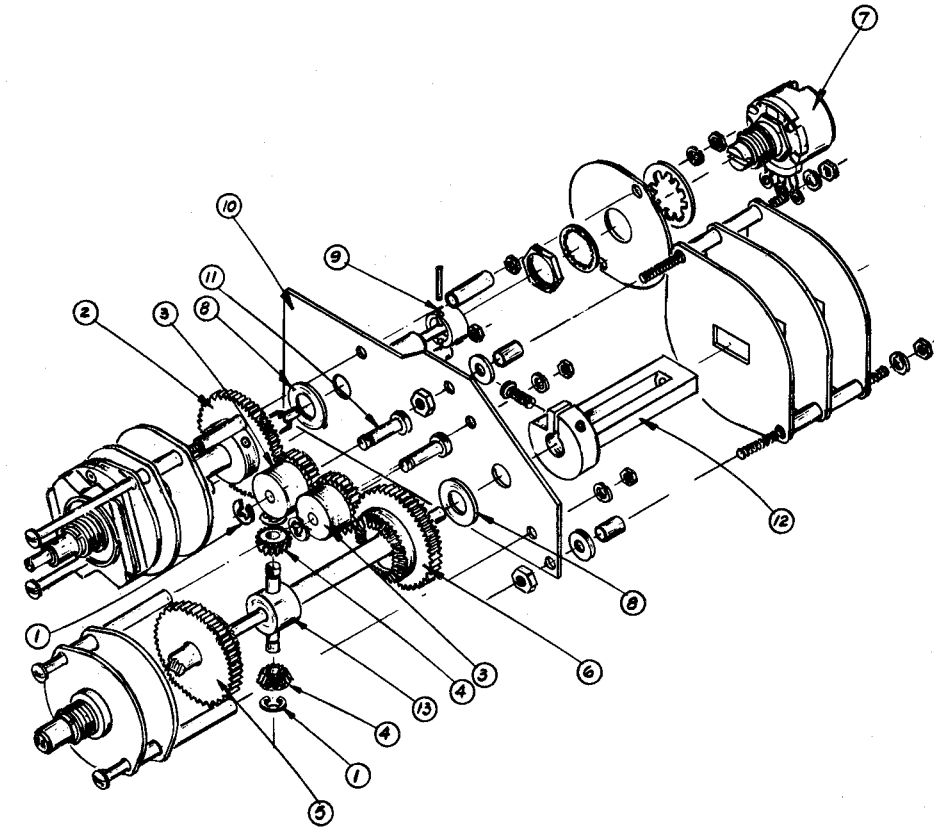
NOTE

Check variable frequency accuracy to assure that the vernier disc is in the proper position.

← **A8 Assembly Removal and Disassembly
SERVICE SHEET B**

A9 Deviation and Range Switch Assembly Legend

Item Number	Reference Designator	Description
1	A9MP1	Retainer Ring
2	A9MP2	Gear
3	P/O A9MP8	Gear
4	A9MP3	Gear
5	A9MP4	Gear
6	A9MP5	Gear
7	A9R1	Potentiometer
8	A9MP6	Flat Washer
9	A9MP7	Coupler
10	A9MP8	Switch Support
11	P/O A9MP8	Gear Support
12	A9MP9	Adjustable Shaft
13	A9MP10	Switch Shaft



A11 Variable Frequency Modulation Oscillator Assembly (Option 001) Legend

Item Number	Reference Designator	Description
1	A11A1SI	Rotary Switch
2	A11A1MP1	Gear Support Housing
3	A11A1MP2	Spur Gear
4	A11A1MP3	Spur Gear
5	A11MP3	Spur Gear
6	A11MP4	Audio Oscillator Cover (Capacitor)
7	A11C1	Variable Capacitor
8	P/O A11	Audio Oscillator Assembly
9	A11MP5	Support
10	A11MP6	Audio Oscillator Cover (Circuit)
11	A11A1MP4	Audio Oscillator Shaft
12	A11MP7	Spacer
13	A11MP8	Screw
14	A11MP9	Screw
15	A11MP10	Washer
16	A11A1MP5	Setscrew
17	A11MP11	Nut
18	A11MP12	Nylon Glide
19	A11A1MP6	Setscrew

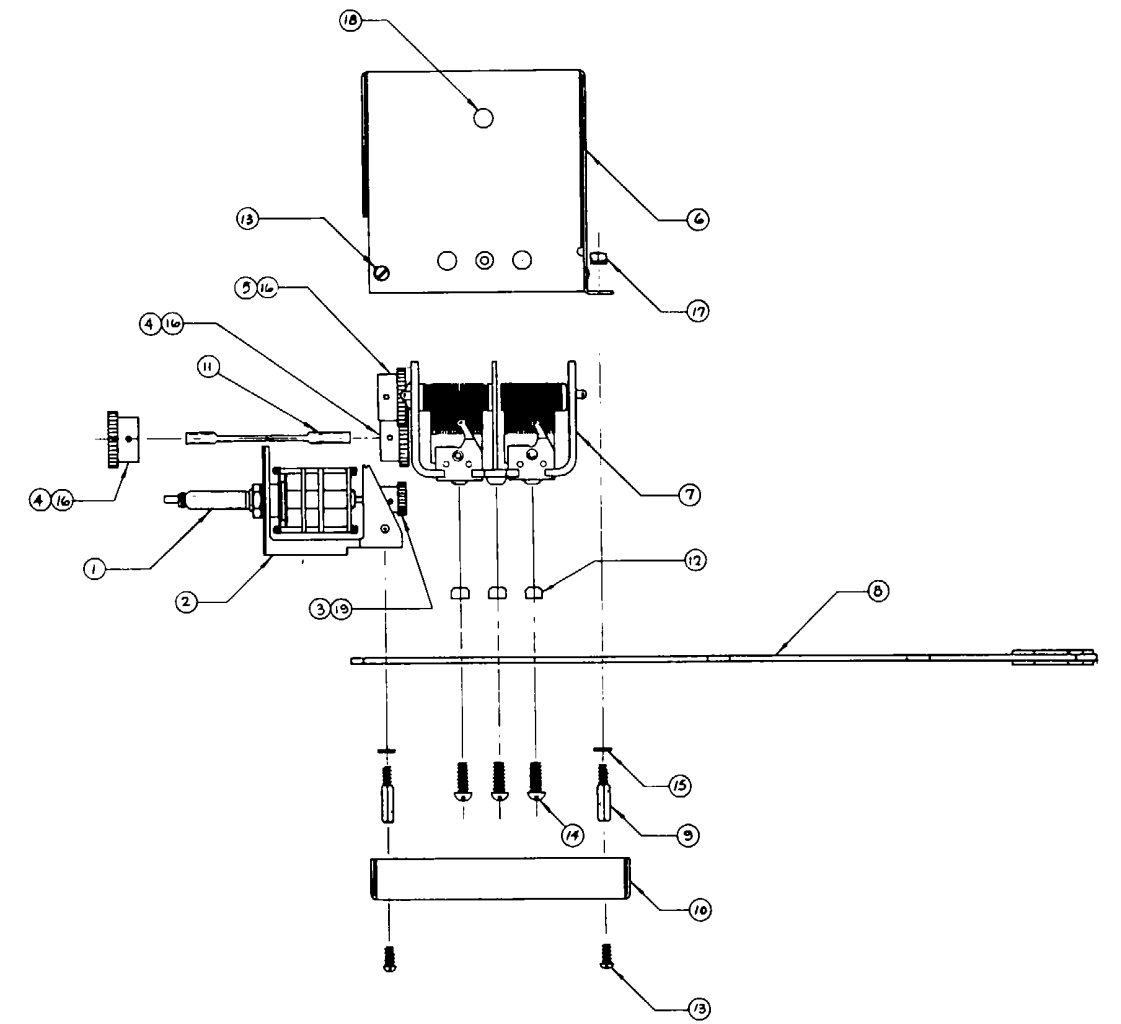


Figure 8-78. A9 Peak Deviation and Range Switch Assembly Illustrated Parts Breakdown

Figure 8-79. A11 Variable-Frequency Modulation Oscillator (Option 001) Illustrated Parts Breakdown

SERVICE SHEET D**A10 Assembly Removal and Disassembly Procedure***A10 Casting Cover Removal*

1. Place instrument right side up and remove top cover (see Service Sheet F).
2. Remove fourteen pan-head screws (with lockwashers) that secure casting cover to casting (screws marked with asterisk * - on cover).

NOTE

Note the location of the screws. The long screws vary in length.

3. Lift cover from casting.

A10A2 Removal

4. Remove twelve pan-head screws (with lockwashers) that secure A10A2 Assembly to casting. Remove A10A2 RF Divider Assembly and A10A3 Riser Assembly by lifting at the riser.

NOTES

1. **The A10A2 Assembly can be extended for service by removing the A10A3 Riser Assembly from A10A2 and installing A10A2 in the riser socket (A10A1XA10A3A and B). Remove the riser evenly to avoid cracking the connector.**
2. **When replacing transistors on A10A2, assure that the cans will not contact the casting top cover.**

A10A1 Access

5. Remove four pan-head screws (with lockwashers) that secure casting center section to casting.
6. Remove three power supply circuit boards (A18, A20, and A22) that are between A10 Assembly and rear panel.
7. Remove casting center section.

NOTE

The A10A1 Assembly can be checked and adjusted by installing the A10A2 Assembly in the riser socket (A10A1XA10A3A and B) and reinstalling the power supply circuit boards (A18, A20, and A22).

A10A1 Removal

8. Turn instrument upside down and remove bottom cover (see Service Sheet F).

CAUTION

While working with and around the semi-rigid coaxial cables in the generator, do not bend the cables more than necessary. Do not torque the RF connectors to more than 2 inch-pounds.

9. Remove FM circuit boards (A5 and A7) and the A3A4 Connector Board Assembly (see Service Sheet F).
10. Disconnect four semi-rigid coaxial cables from bottom of A10 Assembly (cable W3 and A10A1J3, cable W7 at A10A1J2, cable W5 at A10A1J1, and cable W8 at A10A1J4). A10A1J2 and J3 are located in area occupied by FM circuit boards. A10A1J1 and J4 are located in front of A26 Assembly.
11. Remove four hex nuts and lockwashers that secure coaxial connectors A10A1J1 through J4.
12. Turn instrument right side up. Unsolder three feedthroughs at rear center of A10A1 Assembly (located to right of two toroid inductors and to left of relay).

CAUTION

Be sure the terminals have been completely desoldered.

13. Remove the ten pan-head screws (with lockwashers) that secure A10A1 Assembly to casting. Remove A10A1.

NOTE

If necessary, the bottom casting cover can be removed by removing four allen screws (with lockwashers).

Reassembly

14. Reassemble A10 Assembly by reversing the procedures in steps one through 13.

← **A9 and A11 Assemblies Removal and Disassembly
SERVICE SHEET C**

A10 Divider/Filter Assembly Legend

Item Number	Reference Designator	Description
1	A10A1FL1,2,3	Feed Thru Filter
2	A10MP1	Yellow P.C. Board Guide
3	A10MP2	Green P.C. Board Guide
4	A10MP3	Blue P.C. Board Guide
5	A10A1MP1	Detent Pin
6	A10MP4	RFI Braid
7	A10A1MP2	Detent Roller
8	A10A1MP3	Detent Spring
9	A10MP5	Spring Shield No. 1
10	A10MP6	Spring Shield No. 2
11	A10MP7	Spring Shield No. 3
12	A10MP8	Spring Shield No. 4
13	A10A1MP4	Cam Shaft
14	A10A1MP5	Cam Shaft Follower
15	A10MP9	D/F Top Cover Casting
16	A10MP10	D/F Center Casting
17	A10A1MP6	D/F Bottom Cover Casting
18	A10A1MP7	Bushing
19	A10A1MP8	Cam Cover
20	A10A1MP9	Cam Follower
21	A10A1MP10	Slider Clamp
22	A10A1	Filter/Switch Assembly
23	A10OA3	Riser Board
24	A10A2	RF Divider Assembly
25	A10MP11	Lockwasher
26	A10MP12	Machine Screw
27	A10A1MP11	Machine Screw
28	A10MP13	Machine Screw
29	A10MP14	Machine Screw
30	A10A1MP12	Clamp Support
31	A10MP15	Machine Screw
32	A10A1MP13	Setscrew
34	A10MP16	Lockwasher
35	A10MP17	Hex Nut
36	A10A1MP14	Machine Screw
37	A10MP18	Machine Screw
38	A10MP19	Blind Dome Rivet

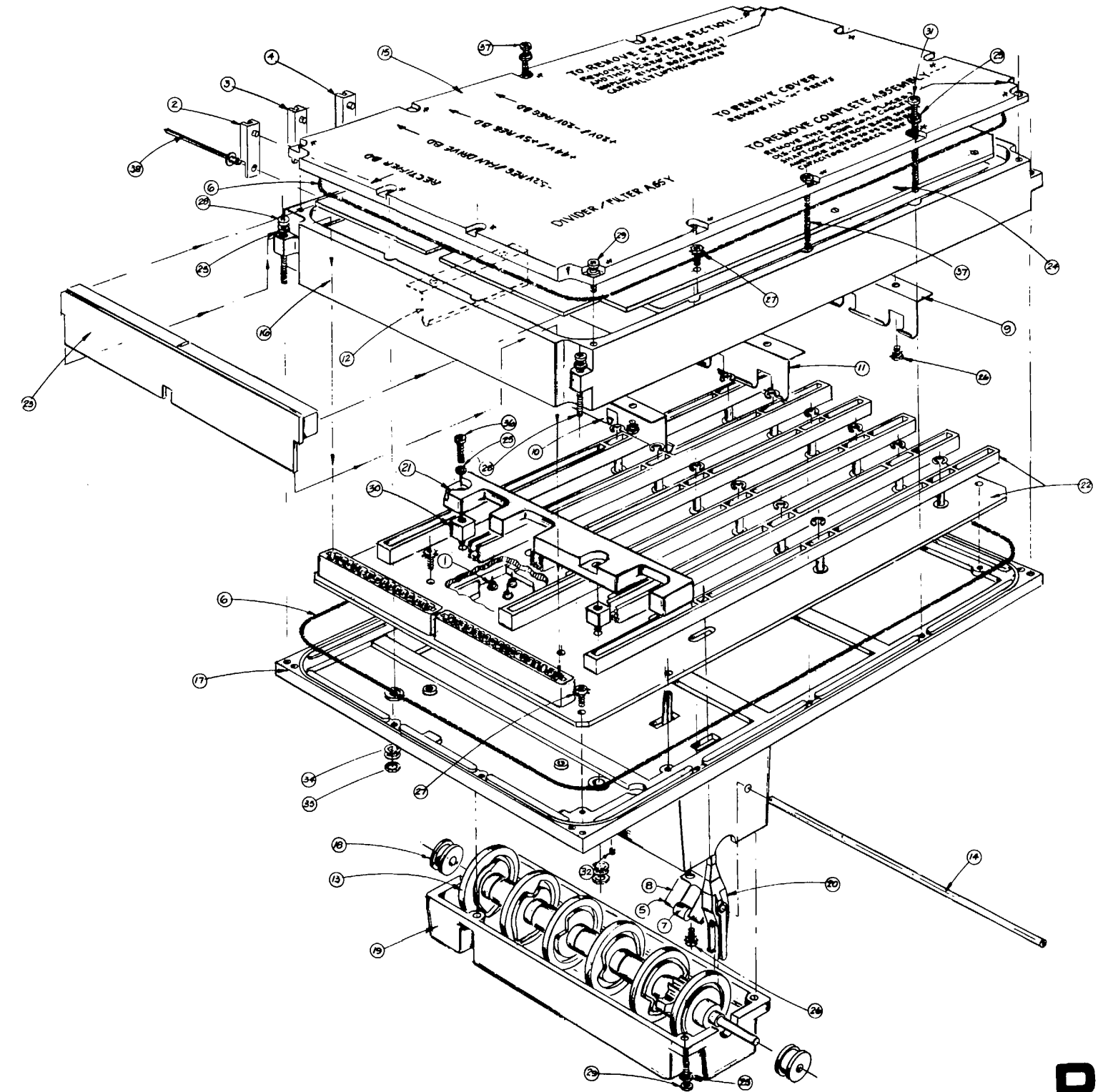


Figure 8-80. A10 Divider/Filter Assembly Illustrated Parts Breakdown

SERVICE SHEET E**A26 Assembly Disassembly Procedure***A26A2 and A26A4 Access*

1. Place instrument right side up and remove top cover (see Service Sheet F).
2. Remove four pan-head screws (with lockwashers) that secure casting top cover to casting.
3. Lift cover from casting.
4. To service either A26A2 or A26A4, gently lift board's extractors and reinstall it on extender board.
5. Reassemble by reversing procedures in steps one through four.

A26A1 and A26A3 Access

1. Place instrument upside down and remove bottom cover (see Service Sheet F).

CAUTION

While working with and around the semi-rigid coaxial cables in the generator, do not bend the cables more than necessary. Do not torque the RF connectors to more than 2 inch-pounds.

2. Remove ten pan-head screws (with lockwashers) that secure casting bottom cover to the casting.

WARNING

The RFI gasket on casting cover may have sharp edges and may cause personal injury if not handled with care.

3. Lift cover from casting, noting the orientation of the RFI gasket under the cover.

NOTE

Do not attempt to replace components on the A26A1 and A26A3 assemblies without removing them.

A26A1 and A26A2 Removal

4. Remove two pan-head screws (with washers) that secure microcircuit amplifier A26U1 or U2 to casting.
5. Remove A26U1 or U2.
6. Remove four pan-head screws (with lockwashers) that secure the heat sink to the casting.
7. Remove pan-head screws (with lockwashers) that secure the circuit board to the casting.
8. Disconnect two coaxial cables from casting connectors.
9. Remove nuts and washers that secure cable connectors to casting.
10. To replace components mounted on the circuit board, tilt the board up while sliding it to the rear.
11. To replace or remove the circuit board, label the wires soldered to the board before unsoldering them.
12. Reassemble by reversing procedures in steps one through 12.

A26 AM/AGC and RF Amplifier Assembly Legend

Item Number	Reference Designator	Description
1	A26C1,2,5-12, C15,16	Feed Thru Capacitor
2	A26C17,18	Feed Thru Capacitor
3	A26C3,4,14	Feed Thru Capacitor
4	A26C13	Feed Thru Capacitor
5	A26R1	Resistor
6	A26U2	Amplifier
7	A26U1	Amplifier
8	A26J1	RF Connector
9	A26J2	Coaxial Cap
10	A26W2	Cable Assembly
11	A26W1	Cable Assembly
12	A26W4	Cable Assembly
13	A26W3	Cable Assembly
14	A26MP1	Gasket
15	A26MP2	Gasket
16	A26MP3	Gasket
17	A26MP4	Gasket
18	A26L1,3-6,L8	Inductor
19	A26L2	Inductor
20	A26L7	Inductor
21	P/OA26U1,2	Heat Sink
22	A26MP5	Cover
23	A26MP6	Cover
24	A26MP7	Cover
25	A26MP8	Casting
26	A26MP9	Cover
27	A26A5	Riser Board
28	A26A6	Mother Board
29	A26A2	AM OFF/PUL Assembly
30	A26A4	AGC Amplifier Assembly
31	A26A3	Modulator Assembly
32	A26A1	Power Amplifier and AGC/ Detector Assembly
33	A26MP10	Cover
34	A26MP11	Guide
35	A26MP12	Guide
36	A26MP13	Guide
37	A26MP14	Machine Screw
38	A26MP15	Machine Screw
39	A26MP16	Machine Screw
40	A26MP17	Hex Nut
41	A26MP18	Lockwasher
42	A26MP19	Lockwasher
43	A26MP20	Lockwasher
44	A26MP21	Lockwasher
45	A26MP22	Washer
46	A26MP23	Hex Nut
47	A26MP24	Lockwasher
48	A26MP25	Blind Dome Rivet

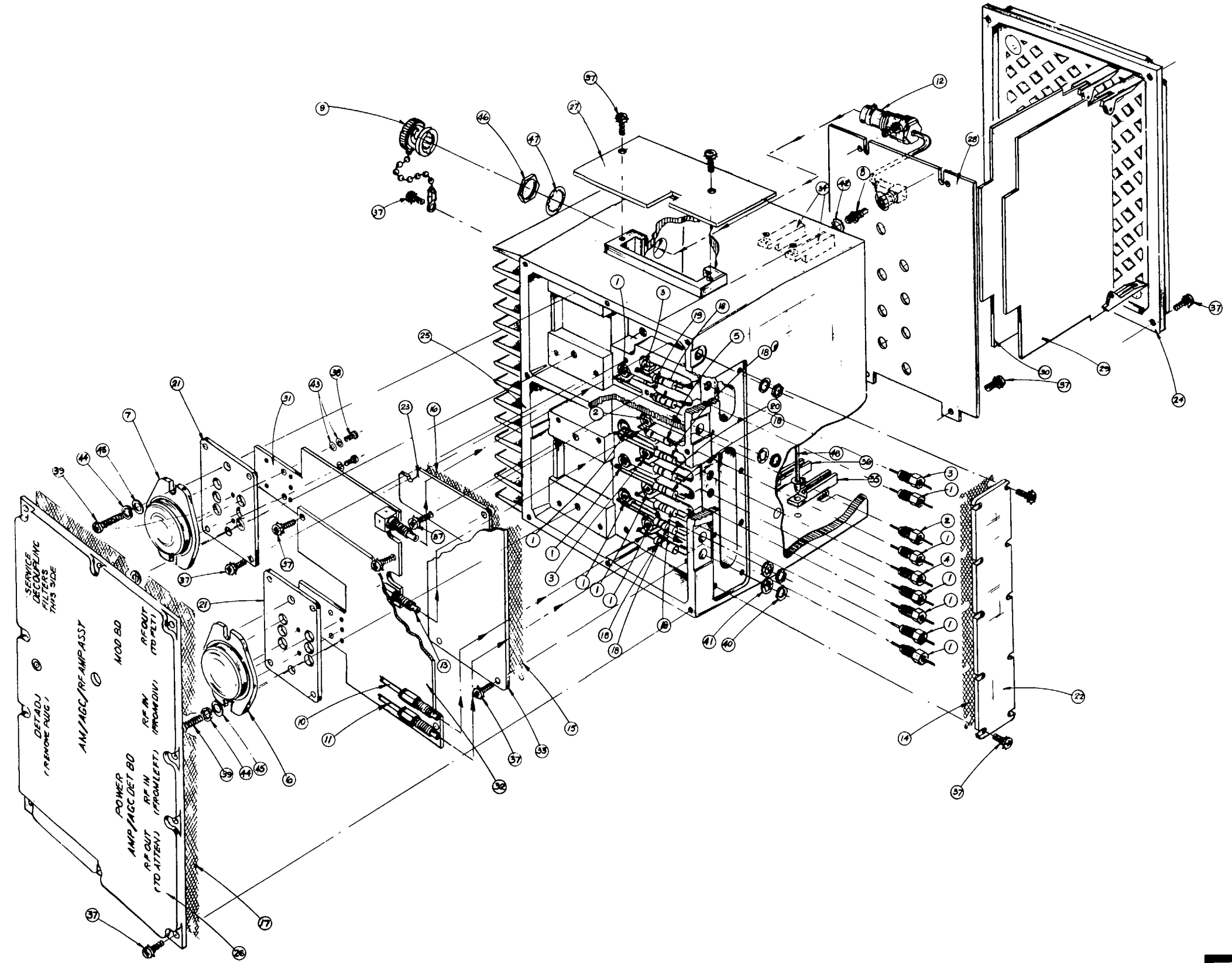


Figure 8-81. A26 AM/AGC and RF Amplifier Illustrated Parts Breakdown



SERVICE SHEET F
General Removal Procedures

Top and Bottom Cover Removal

CAUTION

Before attempting to disassemble or remove any part of the generator, remove line power from the instrument by disconnecting the instrument's line power cable from the line power outlet.

1. Remove top cover by removing four screws. Slide cover to the rear approximately two inches to disengage it from flanges at the instrument's front and rear. Lift it off.
2. Remove bottom cover by removing four screws. Slide cover to the rear approximately two inches to disengage it from flanges at the instruments front and rear. Lift it off.

Circuit Board Removal

3. Remove any plug-in circuit board by gently lifting the board's extractors (the extractors are color-keyed to the guides at the board's edges).

M1 Removal

1. Remove top cover.
2. Remove trim strip (extrusion) that overlaps panel meter by removing two flat-head screws. Remove plastic front panel window by lifting it up and out.
3. Remove A4 Meter/Annunciator Drive Assembly.
4. Remove four pan-head screws (with lockwashers) that secure A8 Counter/Lock Assembly to chassis.
5. Remove A6 Annunciator Assembly by first disconnecting plug A6P1 and removing two flat-head screws on front face of meter bezel. Then lift left edge of A8 Assembly and move A6 Assembly to the rear.
6. To remove meter, disconnect two wires at rear of meter (black-wire from negative post, white wire to positive post).
7. Push top edge of meter to the rear and lift meter from chassis.

NOTE

If necessary, loosen All Modulation Oscillator to provide clearance for meter (see Service Sheet C).

8. To install meter, reverse procedure given in steps one through seven. To install Annunciator Assembly, reverse procedure given in steps one through five.

NOTE

Check that the insulator between the right-hand annunciators and the counter is properly in place to prevent shorting of the lamps.

A3 Removal

1. Place instrument upside down and remove bottom cover.

CAUTION

While working with and around the semi-rigid coaxial cables in the generator, do not bend the cables more than necessary. Do not torque the RF connectors to more than 2 inch-pounds.

2. Remove FREQUENCY TUNE and FINE TUNE knobs from front panel. The knobs are secured to shafts with allen screws in the knobs.
3. Disconnect two semi-rigid coaxial cables at rear of A3 RF Oscillator Assembly (cable W2 at A3A1A3J1 and cable W3 at A3A1A2J1).
4. Remove two nuts (with lockwashers) that secure the A3A4 Connector Board Assembly to the chassis (located at the rear of the A10 Divider/Filter Assembly casting). Remove the A3A4 Assembly from its socket.

CAUTION

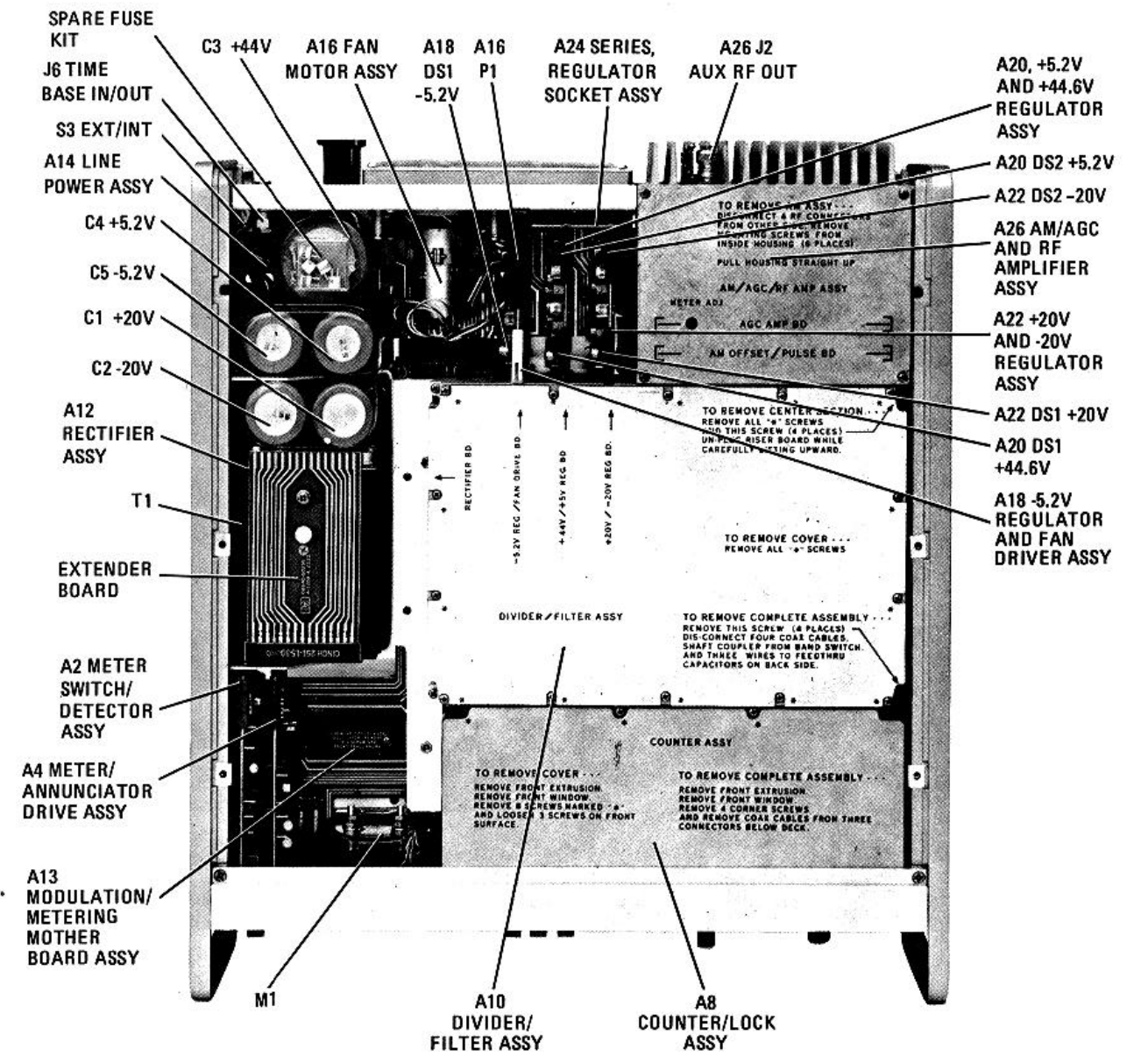
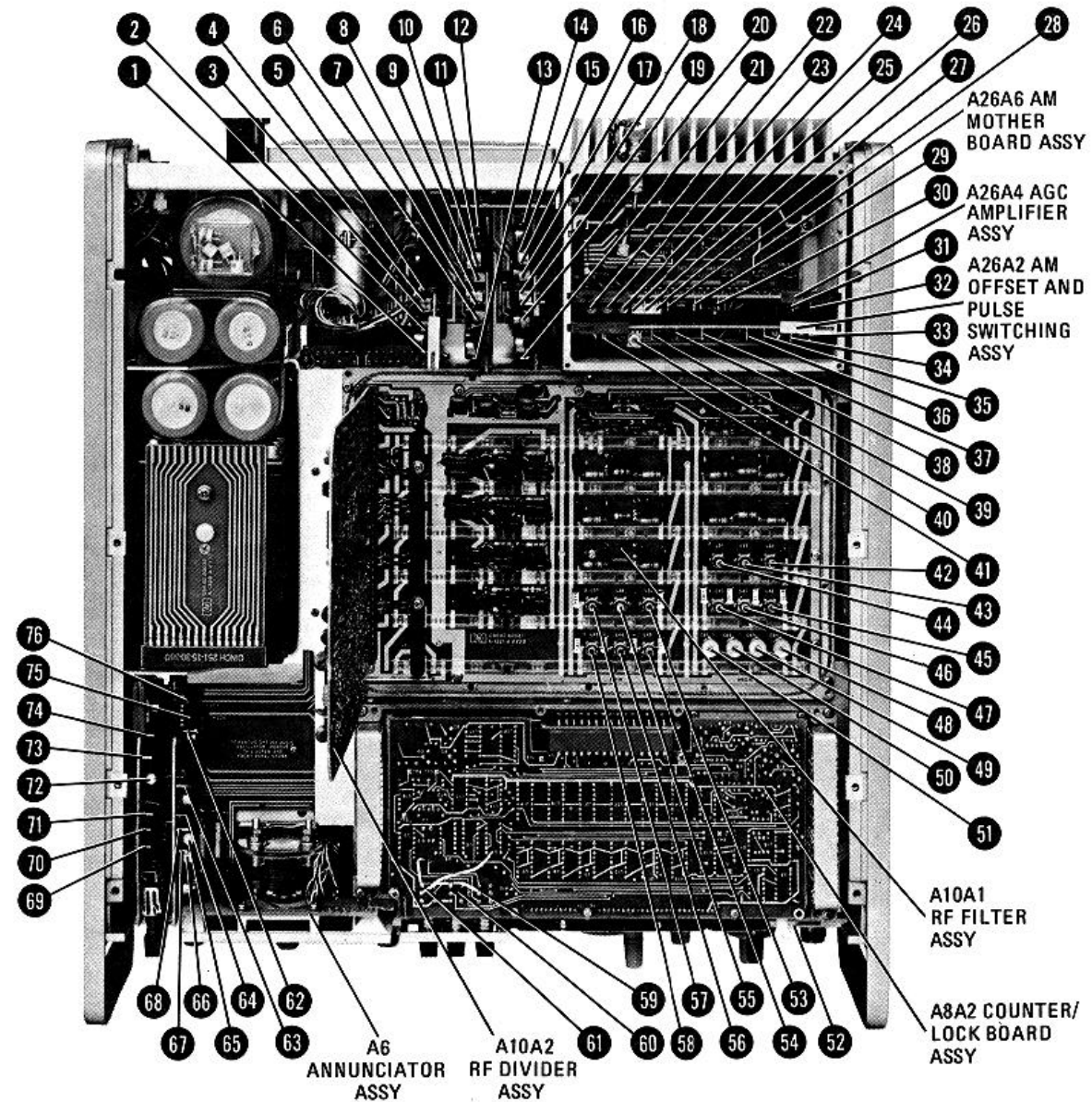
Do not apply rotational torque to the Oscillator Assembly or it may loosen and cause RFI leakage and uncalibration.

5. Remove four pan-head screws (with lockwashers) that secure the A3 Assembly to chassis. Remove assembly by lifting free of the four standoffs and sliding it to the rear and up.
6. Reinstall assembly by reversing procedure in steps one through five.

← **A26 Assembly and Disassembly**
SERVICE SHEET E

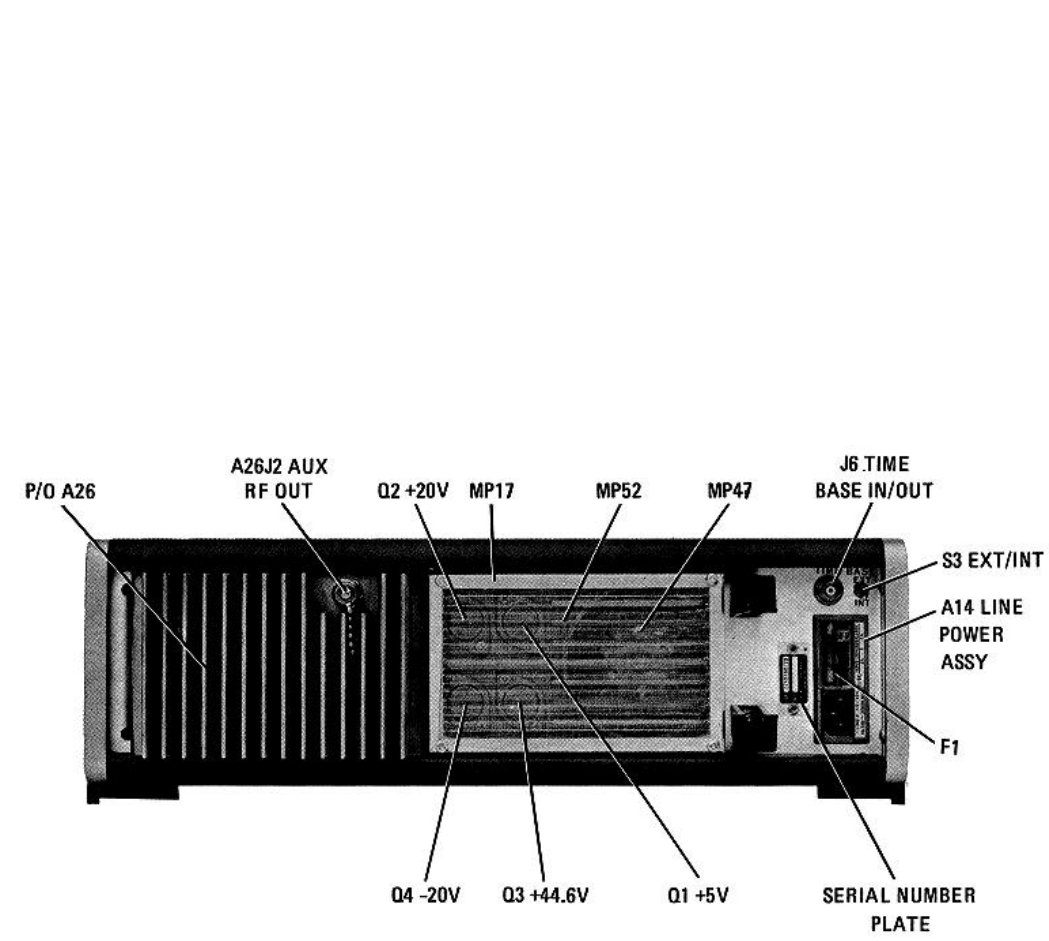
SERVICE SHEET F

A2R5	DET OFST	72	A10A1L32	43	A22TP1	F2	18	
A2TP1	GND	69	A10A1L33	42	A22TP2	F2	19	
A2TP2	DC OUT	70	A10A1L37	57	A22TP4	+20V	21	
A2TP3	AC IN	71	A10A1L38	55				
A2TP4	-20V	73	A10A1L39	53	A22TP6	F1	15	
					A22TP7	F1	16	
A2TP5	+20V	74	A10A1L40	47	A22TP9	-20V	14	
			A10A1L41	46				
A4R10	DRIVE OFFSET	66	A10A1L42	45	A26A2R19	% AM	40	
A4R19	F.S. ADJ	65	A10A1L43	58	A26A2TP1	AM IN	41	
A4TP1	F.S. ADJ	67	A10A1L44	56	A26A2TP2	GND	39	
A4TP2	B	68	A10A1L45	54	A26A2TP3	AM OUT	38	
A4TP3	A	64			A26A2TP4	PUL IN	37	
A4TP4	DC IN	63	A18R2	-5.2V ADJ	2	A26A2TP5	DET PUL	36
A4TP5	GND	62	A18TP1	F1	5	A26A2TP6	MOD PUL	35
A4TP6	C	75	A18TP2	TH1	3	A26A2TP7	MET	34
A4TP7	+5.2V	76	A18TP5	-5.2V	1	A26A2TP8	BW	33
			A18TP6	F1	4			
						A26A4R1	LVL	23
A8A2S1A		61	A20R8	+44.6V ADJ	6	A26A4R2	DBLR LVL	22
A8A2S1B		60	A20R16	+5.2V ADJ	9	A26A4R12	METER ADJ	24
A8A2S1C		59	A20TP1	F2	8	A26A4TP1	MET	25
			A20TP4	+44.6V	13	A26A4TP2	DET	26
A8A4R2	TIME BASE CAL	52	A20TP5	F2	7	A26A4TP3	OVL D	27
			A20TP6	F1	11	A26A4TP4	VERN	28
			A20TP7	F1	10	A26A4TP5	GND	29
A10A1C81		51	A20TP10	+5.2V	12	A26A4TP6	CQ1	30
A10A1C82		50				A26A4TP7	DRVR	31
A10A1C83		49	A22R7	+20V ADJ	20	A26A4TP8	MOD	32
A10A1C84		48	A22R19	-20V ADJ	17			
A10A1L31		44						



8-81/(8-82 blank)

Figure 8-82. Top Internal Views (Options 001 Shown)



SERVICE SHEET G

A1A1R1A/B	39	
A1A1R5	10 μV ADJ	41
A1A1R6	1 μV ADJ	40
A1A1TP1	VERN	38
A1A1TP2	MET OUT	42
A3R1	FREQUENCY TUNE	35
A3R2	FREQ TUNE	34
A3A4R1	V _T ADJ	1
A3A4R2	LOW SENS	5
A3A4R3	MID SENS	4
A3A4R4	HI SENS	3
A3A4R5	OFFSET	2
A3A4TP1	V _T	6
A3A4TP2		7
A5R9	AMPLIFIER OFFSET	33
A5R23	BUFFER ADJ	31
A5TP1	GND	9
A5TP2	OUTPUT	37
A5TP3	+ INPUT	36
A5TP4	- INPUT	32
A5TP5	FM BUFFER IN	30
A5TP6	BUFFER OUT	28
A7R12	POSITIVE SHAPING	20
A7R19	VARACTOR BIAS	19
A7R41	NEGATIVE SHAPING	16
A7TP1	GND	8
A7TP2	VARACTOR ANODE	14

SERVICE SHEET G (Cont'd)

A7TP3	VARACTOR CATHODE	15
A7TP4	+0.20 OVERLOAD	23
A9R1	PEAK DEVIATION VERNIER	27
A11C2	TRIMMER ADJ	26
A11C3	TRIMMER ADJ	24
A11C9		25
A11R35	AM-FM DRIVE ADJ	17
A11R40	AUDIO OUTPUT LEVEL	12
A11TP1		11
A11TP2		13
A11TP3	FM OUT	15
A11TP4	OSC OUT	18
A11TP5	AM OUT	21
A11TP6	GND	22
A13R3		28
A26U1		45
A26U2		50
A26W1		44
A26W2		43
A26W3		48
A26A1R11	DET ADJ	46
A26A1TP1	DET	47
A26A3J1		45

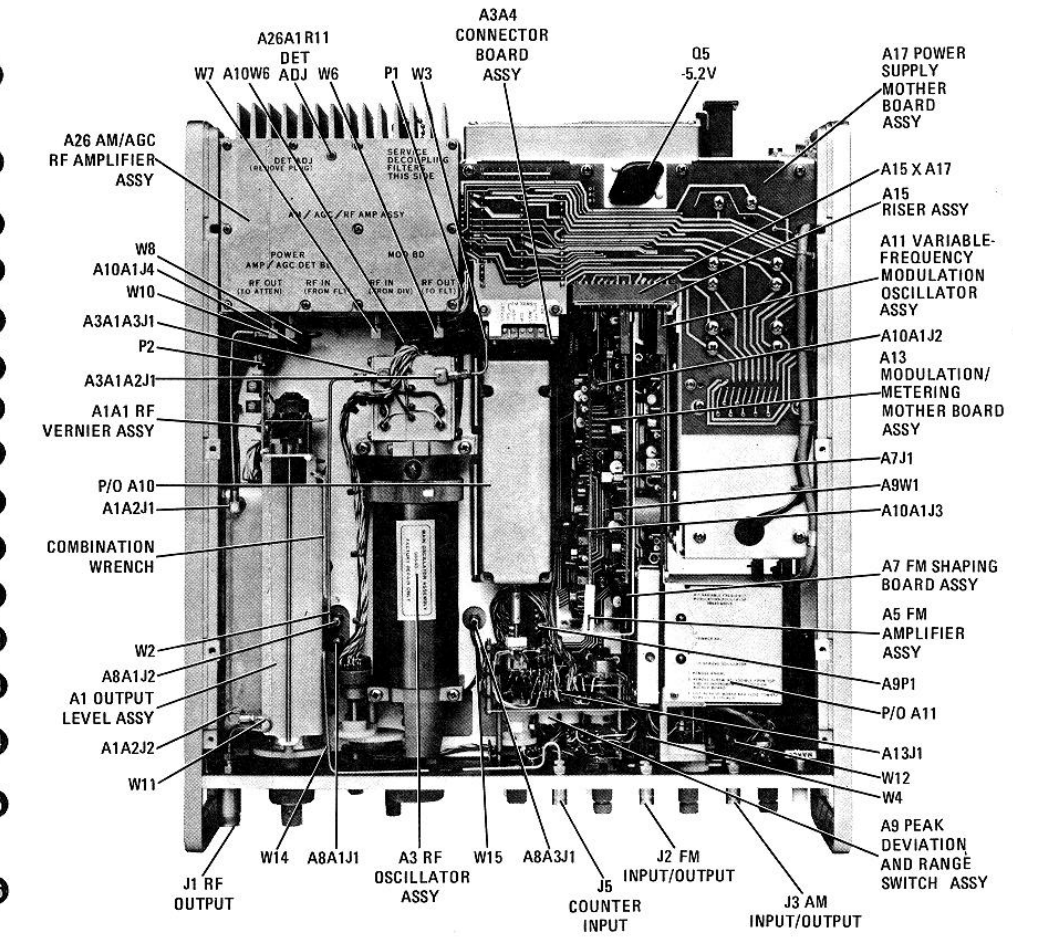
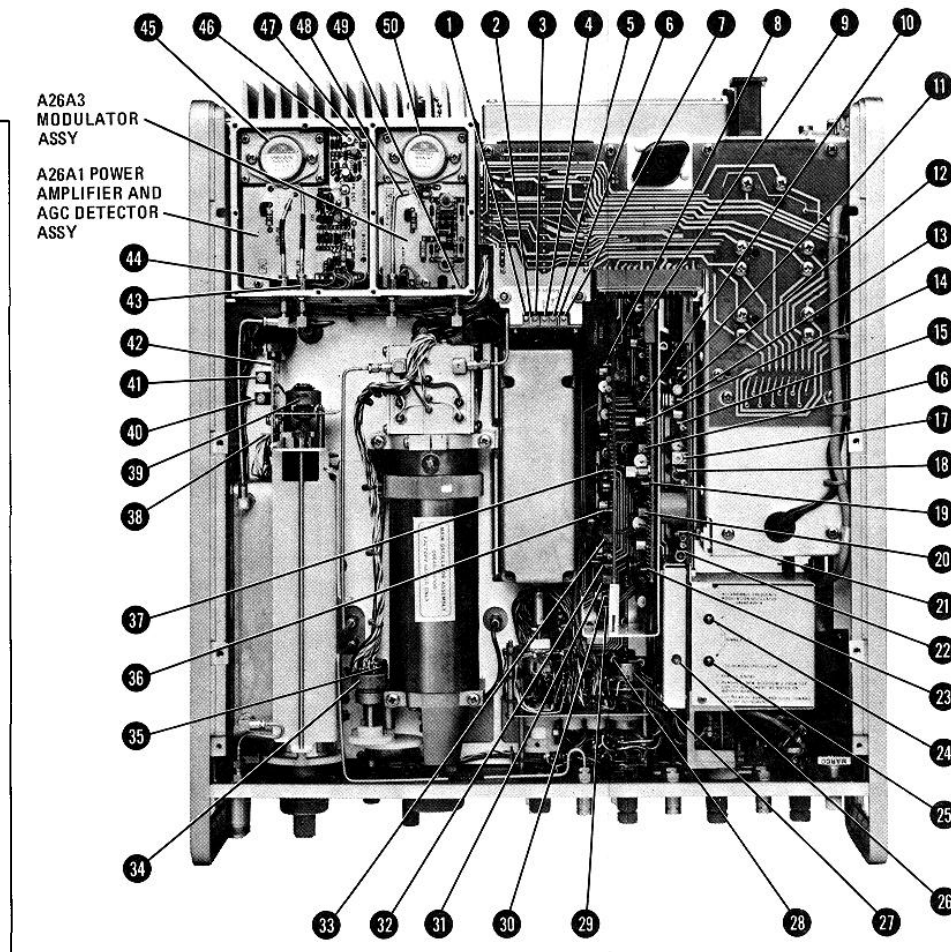


Figure 8-84. Bottom Internal Views (Option 001 Shown)

8-83/(8-84 blank)

APPENDIX A

MAINTENANCE ALLOCATION CHART

Information pertaining to Maintenance Allocation Chart (MAC) will be furnished at a later date.

A-1/(A-2 blank)

By Order of the Secretary of the Army:

Official:

JOHN A. WICKHAM, JR.
General, United States Army
Chief of Staff

R. L. DILWORTH
Brigadier General, United States Army
The Adjutant General

Distribution:

To be distributed in accordance with Special Distribution List.

RECOMMENDED CHANGES TO EQUIPMENT TECHNICAL PUBLICATIONS



THEN...JOT DOWN THE
DOPE ABOUT IT ON THIS FORM.
CAREFULLY TEAR IT OUT, FOLD IT
AND DROP IT IN THE MAIL.

SOMETHING WRONG WITH PUBLICATION

FROM: (PRINT YOUR UNIT'S COMPLETE ADDRESS)

DATE SENT

PUBLICATION NUMBER

PUBLICATION DATE

PUBLICATION TITLE

BE EXACT PIN-POINT WHERE IT IS

PAGE
NO.

PARA-
GRAPH

FIGURE
NO.

TABLE
NO.

IN THIS SPACE, TELL WHAT IS WRONG
AND WHAT SHOULD BE DONE ABOUT IT.

TEAR ALONG PERFORATED LINE

PRINTED NAME, GRADE OR TITLE AND TELEPHONE NUMBER

SIGN HERE

PIN: 060577-000